



**LOS VAQUEROS RESERVOIR JOINT POWERS AUTHORITY
OPERATIONS AND ENGINEERING COMMITTEE
AGENDA**

Regular Meeting
August 17, 2023 – 10:00 a.m.

Directors participating telephonically:

Jose Gutierrez	3130 North Fresno Street, Fresno, California 93703
Antonio Martinez	1331 Concord Ave. Concord, California 94520
Steve Ritchie	525 Golden Gate Avenue, San Francisco, California 94102
Jonathan Wunderlich	43885 S. Grimmer Blvd., Fremont, California 94538

This meeting will be conducted remotely and any member of the public who desires to participate in the open session items of this meeting may do so by accessing the Zoom link below without otherwise complying with the Brown Act's teleconference requirements.

Please click the link below to join the Meeting/Webinar:

<https://lagerlof.zoom.us/j/83227564437?pwd=SnBST0lHQXdkbm8rNEp0ODB0NjN0dz09>

Webinar ID: 832 2756 4437

Passcode: 567930

Or One tap mobile:

US: +16699006833,,83227564437#,,,*567930#

or Telephone: +1-669-900-6833

Any member of the public wishing to make any comments to the Committee may do so by accessing the above-referenced link where they may select the option to join via webcam or teleconference. Members of the public may also submit written comments to the Clerk by 4:00 p.m. on the day prior to the meeting for the Clerk to read into the record (subject to three-minute limitation). The meeting Chair will acknowledge such individual(s) at the appropriate time in the meeting prior to making their comment. Members of the public will be disconnected from the meeting prior to any Closed Session, if applicable.

NOTE: *To comply with the Americans with Disabilities Act, if you need special assistance to participate in this Committee meeting, please contact the Authority's Interim Clerk at rperea@lagerlof.com by 4:00 p.m. on the day prior to the meeting to inform the Authority of your needs and to determine if accommodation is feasible. Each item on the Agenda shall be deemed to include any appropriate motion, resolution, or ordinance, to take action on any item. Materials related to items on this Agenda are available for public review at: www.losvaquerosjpa.com/board-meetings.*

CALL TO ORDER

PLEDGE OF ALLEGIANCE

ROLL CALL OF COMMITTEE MEMBERS

Jose Gutierrez – Chair, San Luis & Delta-Mendota Water Authority
Jonathan Wunderlich – Alameda County Water District
Antonio Martinez – Contra Costa Water District
Steve Ritchie – San Francisco Public Utilities Commission

PUBLIC COMMENT ON NON-AGENDA ITEMS

Any member of the public wishing to address the Operations and Engineering Committee regarding items not on the Agenda should do so at this time. The Committee welcomes your comments and requests that speakers present their remarks within established time limits and on issues that directly affect the Authority or are within the jurisdiction of the Authority.

DISCUSSION ITEMS

- 1.1 July 20, 2023 Operations and Engineering Committee Meeting Summary**
- 1.2 Construction Schedule Presentation**

FUTURE AGENDA ITEMS

ADJOURNMENT

**ITEM 1.1: JULY 20, 2023 OPERATIONS AND ENGINEERING
COMMITTEE MEETING SUMMARY**

RESPONSIBLE/LEAD STAFF MEMBER:

James Ciampa, General Counsel

DISCUSSION:

Attached for the Committee's information is the summary prepared for the July 20, 2023 Operations and Engineering Committee meeting.

ALTERNATIVES:

Any suggested revisions to the attached summary will be considered.

FISCAL ANALYSIS:

Not applicable.

ENVIRONMENTAL REQUIREMENTS:

Not applicable.

EXHIBITS/ATTACHMENTS:

Summary from July 20, 2023 Operations and Engineering Committee meeting



SUMMARY OF REGULAR MEETING OF OPERATIONS AND ENGINEERING COMMITTEE

July 20, 2023 – 10:00 a.m.

Chair Jose Gutierrez and Committee Members Jonathan Wunderlich, Steve Ritchie and Antonio Martinez participated telephonically. Staff and 29 members of the public also participated in the meeting. The meeting was called to order at 10.01 a.m.

Chair Jose Gutierrez called for public comment on non-agenda items. None were received.

1.1 June 15, 2023 Operations and Engineering Committee Meeting Summary.

The summary from the June 15, 2023 Operations and Engineering Committee meeting was presented. The draft summary was accepted with no revisions and will be included in the next Board meeting packet.

1.2 Presentation and Anticipated Water Rights Petition and Related Water Rights Issues.

Executive Director Taryn Ravazzini provided background on the Los Vaqueros Reservoir Expansion Project Phase 2 (Project) which will increase the reservoir's capacity from 160,000 acre-feet to 275,000 acre-feet and add new and modified conveyance facilities to provide environmental, water supply reliability, operational flexibility, water quality, and recreational benefits. To achieve these benefits, Contra Costa Water District (CCWD), the U.S. Bureau of Reclamation and the California Department of Water Resources (DWR) will file water rights change petitions with the State Water Resources Control Board in connection with the Project and its operations. Those petitions will not seek any new water rights but will attempt to revise various details concerning existing rights.

Lucinda Shih, CCWD Water Resources Manager, provided an overview of the status, need, procedures, and next steps relating to those water rights petitions and related issues resulting the Project creating a new pathway to deliver water. Those petitions will seek changes to diversion rights, points of diversion, places of use and developed uses. She noted the Project will divert, store and deliver water under existing water rights already available to the Project partners and that no new water rights are being sought as part of the LVE. She reviewed the Project partners that are Central Valley Project (CVP) contractors, whose water rights are owned by the US Bureau of Reclamation, and that are State Water Project (SWP) contractors, whose water rights are owned by the Department of Water Resources.

Chair Gutierrez asked if any problems are anticipated by having CVP water delivered through SWP facilities. Maureen Martin of CCWD responded that discussions are ongoing concerning that issue and separate coordinated operations agreements will be entered into.

Committee Member Wunderlich noted that in relation to the proposed increase of permitted diversions through intakes to 439,000 acre-feet per year, CCWD is currently able to divert a maximum of 222,000 acre-feet per year but uses only 110,000 acre-feet per year. CCWD's maximum diversion of 222,000 acre-feet per year will cover CCWD's operations, plus provide an increased amount of 217,000 acre-feet per year for the Authority's other Members.

Ms. Shih stated the State Water Resources Control Board has the initial draft package of CCWD and U.S. Bureau of Reclamation change petitions and is reviewing that package. Consolidated petitions among the Department of Water Resources, the U.S. Bureau of Reclamation and CCWD will be filed as one package in the fall. Once filed with the State Water Resources Control Board, the change petitions will be subject to a 30-day public comment period and a hearing may or may not be held, depending on the comments or protests received. CCWD will continue its outreach efforts to minimize the likelihood of any protests to the petitions.

Chair Jose Gutierrez called for public comments. None were received.

FUTURE AGENDA ITEMS:

- Update on Project construction and cost schedules to be available for the August Committee meeting.

The meeting was adjourned at 10:41a.m.

James D. Ciampa

James D. Ciampa
General Counsel

ITEM 1.2: CONSTRUCTION SCHEDULE PRESENTATION

RESPONSIBLE/LEAD STAFF MEMBER:

Taryn Ravazzini, Executive Director

DISCUSSION:

The Los Vaqueros Reservoir Expansion Project Phase 2 (LVE) will increase the reservoir's capacity from 160,000 acre-feet to 275,000 acre-feet and add new and modified conveyance facilities to provide environmental, water supply reliability, operational flexibility, water quality, and recreational benefits. Contra Costa Water District (CCWD) has been overseeing and managing the design and construction planning efforts for the LVE. The construction schedule has been updated to reflect the latest program milestones and project schedules with sequencing that is intended to expedite construction while maintaining CCWD's operational needs. The updated project schedule will be further utilized as the basis of the 2023 Program Cost Estimate Update. Key factors that have been identified that have impacted the overall schedule include extended planning efforts for California Water Commission funding, electrical component lead times for Contra Costa Canal Pumping Plant No. 1 Replacement, and updated LV Dam Expansion construction schedule to reflect California Division of Safety of Dams (DSOD) coffer dam construction requirements.

Chris Hentz, CCWD Los Vaqueros Expansion Project Engineering Manager, will provide an overview of the updates to the construction schedule.

ALTERNATIVES:

For information only.

FISCAL ANALYSIS:

Not applicable.

ENVIRONMENTAL REQUIREMENTS:

Not applicable.

EXHIBITS/ATTACHMENTS:

Construction Schedule Presentation.

The logo for the Los Vaqueros Reservoir Expansion Project. It features the words "LOS VAQUEROS" in blue, "RESERVOIR EXPANSION" in green, and "PROJECT" in green. To the right of the text is a stylized graphic of a reservoir dam or structure, composed of several horizontal bars of varying heights, colored in shades of blue and green.

**LOS
VAQUEROS
RESERVOIR
EXPANSION
PROJECT**

The title of the presentation, "JPA Operations & Engineering Committee Program Schedule Update", is displayed in white text over a background image of a reservoir and green hills. The background shows a large blue reservoir surrounded by rolling green hills under a clear sky. In the foreground, a paved road curves through the grassy hills.

**JPA Operations & Engineering
Committee
Program Schedule Update**

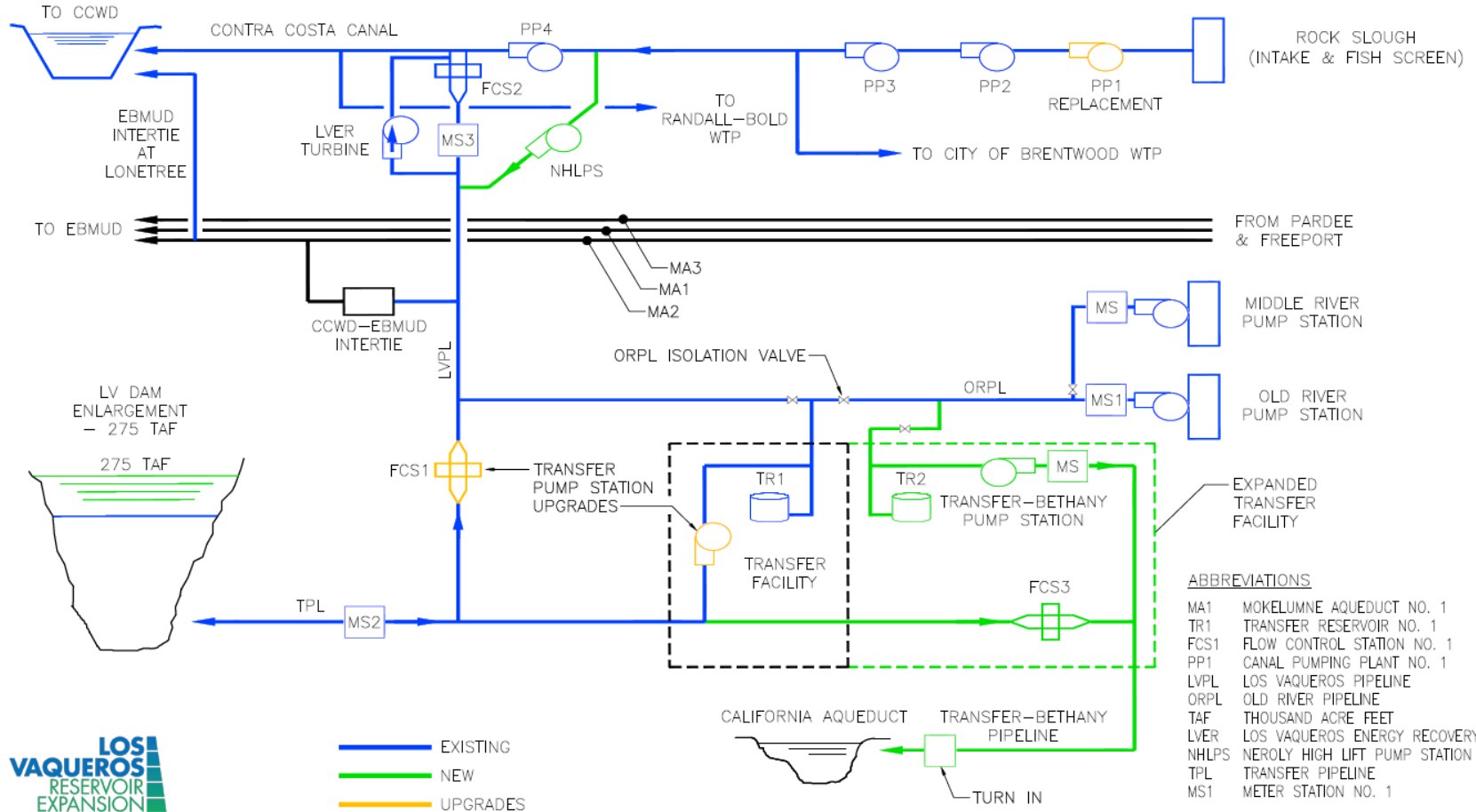
August 17, 2023



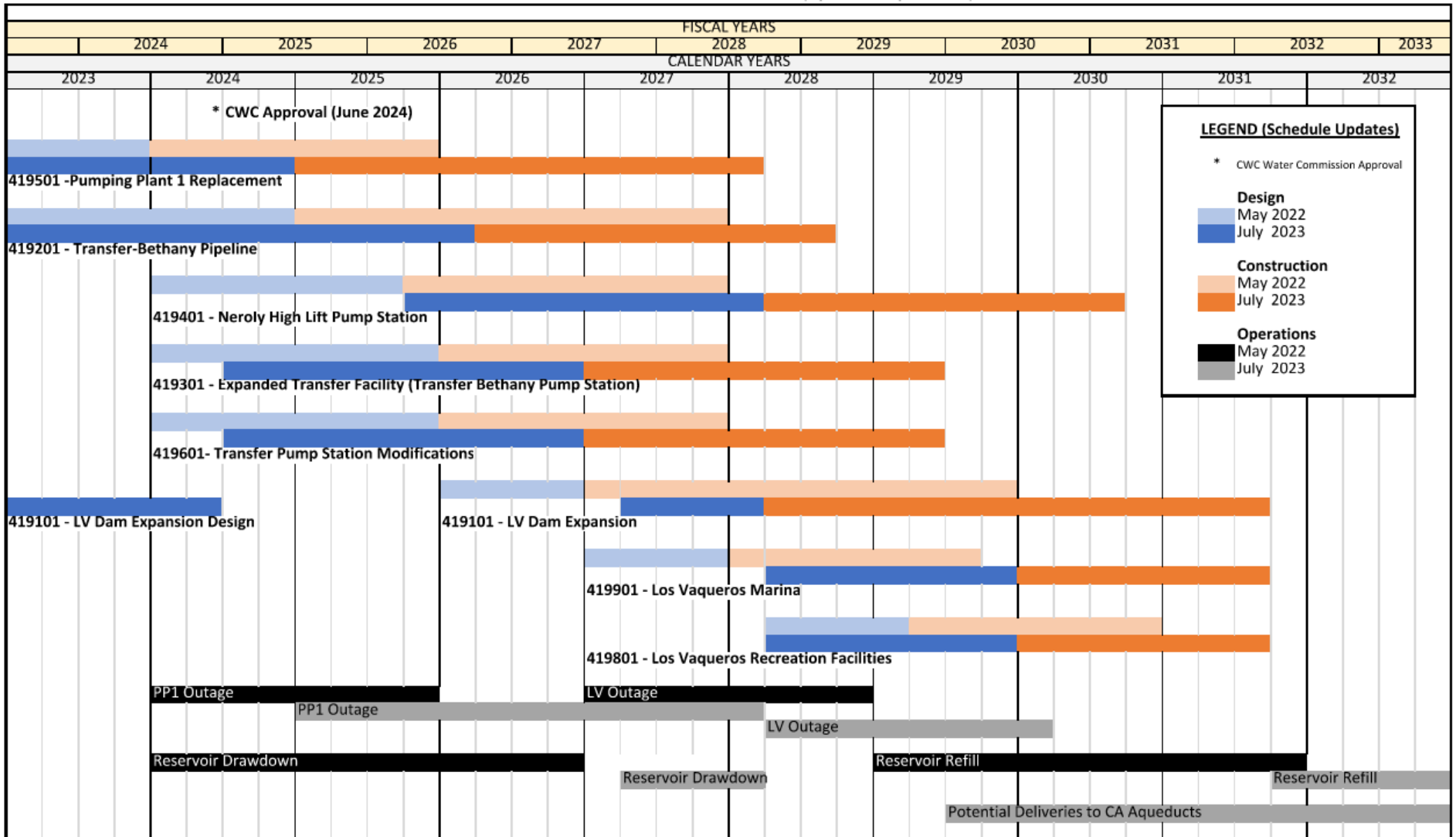
Overview

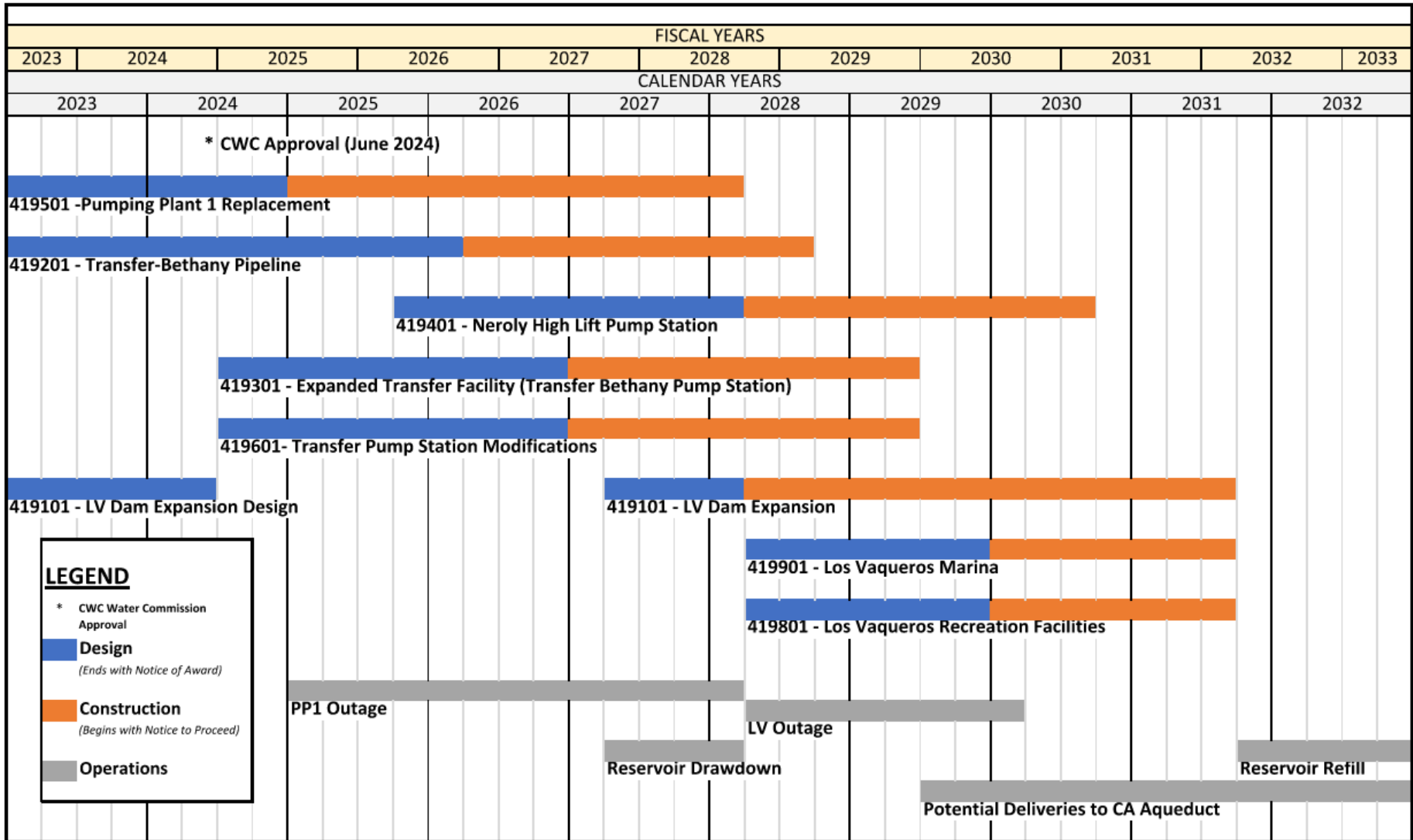
- The LVE schedule has been updated to reflect the latest program milestones and project schedules
 - Agreements and funding in place to support construction in Fall 2024
- Construction sequencing is intended to maintain CCWD's operational needs
- Updated schedule will be the basis of the 2023 Program Cost Estimate Update

PHASE 2 LOS VAQUEROS RESERVOIR EXPANSION PROJECT



AUGUST 31, 2021





PP1 Replacement

- Design nearing 90-percent complete
- Bidding for construction postponed until after agreements and funding are secured
- Construction duration extended 1-year by long-lead equipment
 - Transformers and electrical gear affected by supply chain delays and heavy demand
- Startup and commissioning prior to final LV Drawdown
- Change: +1-year for start; +1-year construction



LV Dam Expansion

- DSOD final design review under way, anticipate approval as early as December 2023
- Start of construction following PP1 Replacement commissioning and final drawdown
- 3-year construction plus 1 to 3-years for refill
- Change: +2-year for start of construction; +1-year duration



Transfer-Bethany Pipeline

- Nearing 90-percent design of California Aqueduct Turn-In
- Developing preliminary design of pipeline
- Schedule controlled by start of land acquisition activities; begin once agreements and funding in place
- Change: +1-year for start of construction



Expanded Transfer Facility & Transfer PS Modifications

- Design to begin following agreements and funding
- Design in parallel
- Co-located and concurrent construction; assume single construction contract
- Change: +1-year for start of construction



Neroly High Lift Pump Station

- Beneficial use after TBPL and Expanded Transfer
- Not critical path for construction of other facilities
- Requires short-duration shutdowns of other LVE facilities
 - Contra Costa Canal, Los Vaqueros Pipeline and WAPA
- Continuing to assess timing and opportunities to accelerate

LV Marina Relocation and Recreation Improvements

- Relocate existing Marina facilities above future maximum water level
- Construct recreation facilities to deliver planned public benefits
- Completed conceptual design and finalizing cost estimate
- Construction timing flexible; avoid construction during first year of dam construction mobilization

