



CABITV CT-100



CABITV CT-200

CABITV PRODUCT BROCHURE

QUICK LINKS (CLICKABLE)

[CabiTV CT-100 | Page 2](#)

[CabiTV CT-200 | Page 5](#)

[CabiTV Accessories | Page 10](#)

Cabi TV

CT-100 Kitchen TV

An Impressive Kitchen from Every Angle





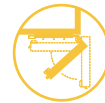
CABITV CT-100 KITCHEN TV

With its swivel and pan movement mount, you can always find the perfect angle to get the most out of your CabiTV. The CT-100 has a special designed bracket that, when the TV folds away, only leaves a 1.3" space between the TV and the cabinet. Made of beautiful brushed stainless steel, and with its slim bezel, the CabiTV CT-100 is a timeless design that will fit in every kitchen.

FEATURES



Stainless Steel



Swivel & Pan Motion



Large TV Size



Smart TV



Touchscreen



Safe 12 Volts

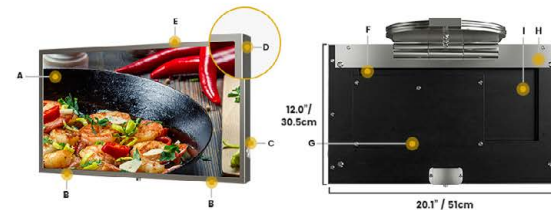
SPECIFICATIONS

CT-100 Specification Table

Diagonal Screen Size	22"
Visible Screen Size	18" x 10" / 475 x 270mm
Resolution	1080P
Inputs	3 x HDMI, Audio, Power
Outputs	Audio
Weight	N/A
Power Requirements	N/A
Weight	20 Lbs / 9 Kg
Power Requirements	12 VCD, 4 amp. World universal power supply included. Input 100-240V
Smart TV	Android TV System, WIFI, Complete Functional Touchscreen

PARTS

- A** LED HDTV, 1080P Front with Strengthened glass, strong, safe and easy to clean.
- B** Built in speakers on the bottom.
- C** Large easy to reach ON/OFF Button.
- D** Brushed stainless steel.
- E** Slim 0.6"/14 mm bezel.



- F** Opening for cables sealed with a rubber strip.
- G** TV inputs:
3x HDMI
1x VGA
Power (12 volt)
TV Output:
Audio
- H** Aluminum back Light weight, Strong and Durable.
- I** Compartment for set-top box (Connect your Apple TV, Android TV.)

A Smart TV That Brings All of Your Favorite Shows and Apps to the Kitchen





Cabi TV

CT-200 Kitchen Cabinet TV

A Kitchen Cabinet with a Seamlessly Integrated TV



CABITV CT-200 KITCHEN CABINET TV

Guaranteed to fit perfectly, the CabiTV CT-200 is made according to the exact measurements of your cabinet and delivered to you ready for installation. CabiTV CT-200 is a cabinet TV that brings the comforts of your living room to the kitchen. With Android installed, you can enjoy countless smart functions. Easy to update. Feature of a full HD screen for picture perfect quality that is powered by low 12 volt. It is extremely safe to use so that you can fully enjoy doing what you love.

FEATURES



Cabinet Door TV



Customizable



Smart TV



Touchscreen



Safe 12-24 Volts



Made to Measure

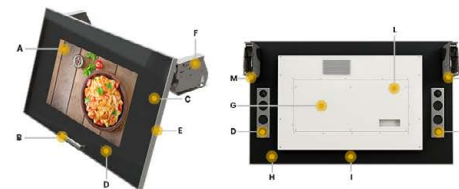
SPECIFICATIONS

CabiTV CT-200 Product Specifications

Diagonal Screen Size	15.6"	18.5"	22"	28"	32"
Visible Screen Size	13.5" x 7.6" / 345mm x 195mm	16" x 9" / 410mm x 230mm	18" x 10" / 475mm x 270mm	25" x 14" / 635mm x 360mm	25" x 14" / 635mm x 360mm
Resolution	720P	720P	1080P	4K	4K
Inputs	3 x HDMI, Audio, Power, USB			2 x HDMI, Audio, Power, USB	
Outputs	Audio				
Minimum Door Width	17"/440mm	20"/510mm	22"/560mm	28" / 720mm	32" / 810mm
Minimum Door Height	15"/400mm	15"/400mm	18"/450mm	20"/510mm	26"/660mm
Weight	Depending on overall glass size (custom)				
Power Requirements	12 VCD, 6 amp. World Universal Power Supply Included. Input 100-240V				24 VDC, 8.5amp. World Universal Power Supply Included. Input 100-240V
Smart TV	Android TV System, WIFI, Complete Functional Touchscreen				

PARTS

- A HD LED TV 720p or 1080p depending on TV size.
- B Stainless steel handle, also available without handle, or with the handle of your choice (you need to send us your handle and we will attach this).
- C Strengthened mirrored glass.
- D Touch ON/OFF button.
- E Side trim, Customizable (Brushed stainless steel, white or black).
- F Cabinet Bracket.



- G TV inputs: 3x HDMI Power (12 volt) TV Output: Audio
- H Side trim, customizable (Brushed stainless steel, white or black)
- I TV Holder strips.
- J Stainless Steel Speakers.
- K Mount Position Cabinet bracket.
- L Android box and DVBT box.
- M Cabinet Bracket.



Made to Measure

The CabiTV CT-200 is made to measure. You can provide your cabinet dimensions and TV sizes based on cabinet size then request a quotation for your customized kitchen cabinet tv.

Choose TV Size

There are various of TV sizes available especially for CabiTV CT-200. You can choose from 15.6", 18.5", 22", 28" and 32" TV sizes CT-200 kitchen cabinet. CabiTV CT-100 comes with a standard TV size of 22".



Brushed Stainless Steel



Black



White

Choose Side Trim Finish

You can customize your CabiTV's side trim to perfectly match your kitchen style. This way, your CabiTV seamlessly blends in with your kitchen. We offer the following finishes:

- Brushed Stainless Steel
- White
- Black

Customize Handle

CabiTV CT-200 comes standard with a stainless steel brush finished handle. If you have your own handle that matches your kitchen, you can order a CabiTV CT200 without a handle or you can send us your handle and we can attach it to your CabiTV.



**A Full HD Cabinet TV
for Any Kitchen**





ZEPP REMOTE

DETAILS

- 2.4G Wireless, USB receiver, Plug and Play
- 360° Non-directional remote control
- Wireless QWERTY keyboard
- Compatible OS: Windows, Mac OS, Android, Linux
- Devices: PC, Smart TV, Set-top Box
- Network Media Player, Tablet, Game player, etc.



EVERVUE REMOTE

DETAILS

- Replacement control. Not waterproof. Only works with Evervue TV's.



POWER SUPPLY

DETAILS

- Replacement Power supply for Mirrorvue Mirror TV.
- Using other power supplies even with the same specifications, may damage the product and can void its warranty.
- Before ordering a replacement, please contact support@evervue.com and send a photo of the original power supply so we can send the correct power supply.



POWER EXTENSION CABLE

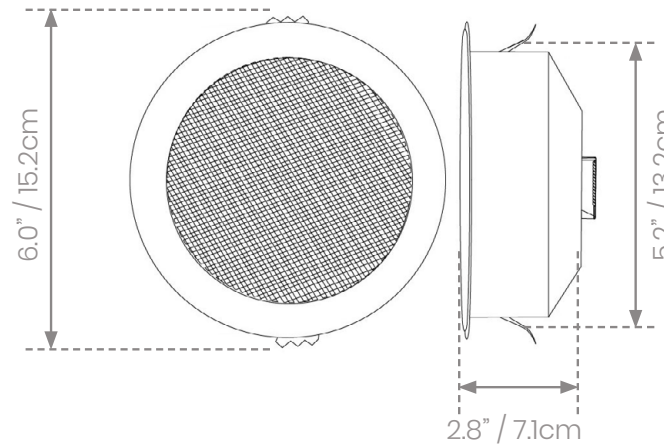
DETAILS

- MirrorVue has a 20⁷/5 meter power extension cable.
- It is available in white and black colors.

SW50-6" RECESSED SPEAKERS



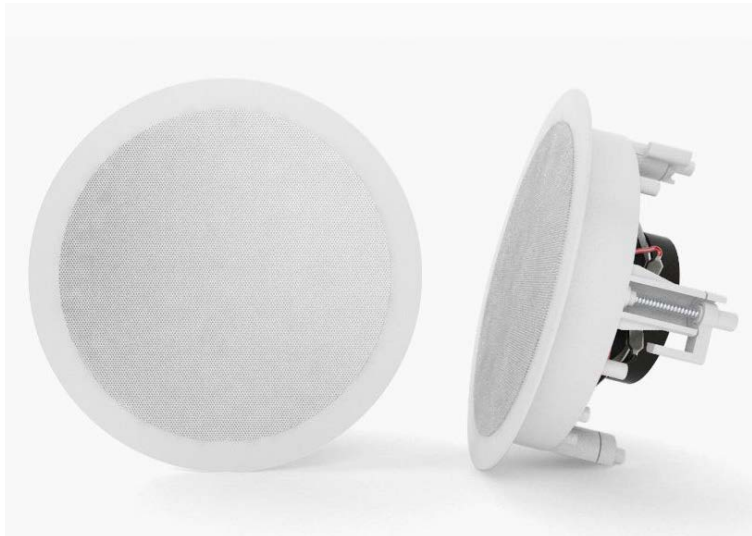
Sizes



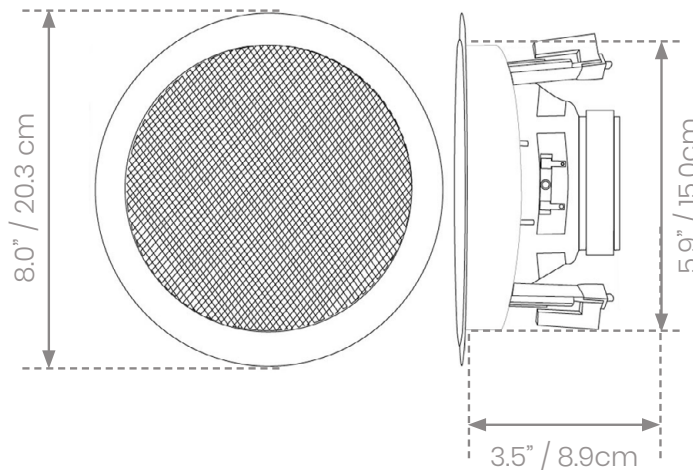
Details

- Recessed, moisture resistant speakers
- Excellent audio quality
- Suitable for bathroom, outdoor, boats
- Suitable for small to medium size bathroom
- Can also be used for other TV's and audio systems
- Comes standard in set of 2

SW80-8" RECESSED SPEAKERS



Sizes



Details

- Recessed, moisture resistant speaker.
- Excellent audio quality
- Suitable for bathroom, outdoor, boats
- Connect directly to your Ocea bathroom TV, Mirrorvue etc.
- Can also be used for other TV's and audio systems.
- Suitable for small to medium size bathroom
- Comes standard in set of 2.



CABITV CT-100



CABITV CT-200

CABITV PRODUCT BROCHURE

Evervue USA Inc.
5020 Campus Drive, #121,
Newport Beach, CA92660,
U.S.A.
Phone: +1 949 441 4262
Email: sales@evervue.com
www.cabity.com