

BK Series Delivers Brilliant Images

Outstanding Views

Superb image resolution - infinity planachromatic optics, excellent clarity. High NA allows these high transmission objectives to be well suited for both Brightfield and Fluorescence technique, acquiring bright images.

Fluorescence

Clinical use in AFB testing and cell analysis in research applications, four (4) fluorescent filters included, specs below, with high signal to noise ratios to produce colorful images with contrast and brightness.



Easy to choose and use

Illumination for fluorescence, LED or 100W mercury bulb, both produce even illumination and the burner has a simple control for adjustment. Simple Filter selection with all cubes on a rotating turret.



Comfort, Convenience Designed In

Standard features help to Quickly find specimen:

- ✓ Wide field 10X eye pieces, FN 22, angled 30°
- ✓ Four objectives on 5 hole turret: 4, 10, 40 & 100Xoil (except phase) – add a 50Xoil and use all at once
- ✓ Controls fit naturally, apparent when you sit in front of this instrument. Compact modern design adds stability to a small footprint, minimal effort for easy movement of stage and focus controls
- ✓ Koehler Illumination - all glass components, true color reproduction, optimal contrast.

Dependable and Reliable

Jenco International's industry leading 5 Year Warranty shows the BK Series' reliability. Our 20+ year history of marketing and supporting Jenco microscopes tells us to include these for Reliability

- ✓ All metal and glass construction - no plastic gears to fail or fade over time
- ✓ Koehler illumination – 6V 30 Watt Halogen or LED
- ✓ Integrated Handle for transporting ease
- ✓ The Stage, rack or rackless design with rounded corners for comfort and a durable slide holder with two slide capacity. 7.5 x 5.5 in., 19x14cm.



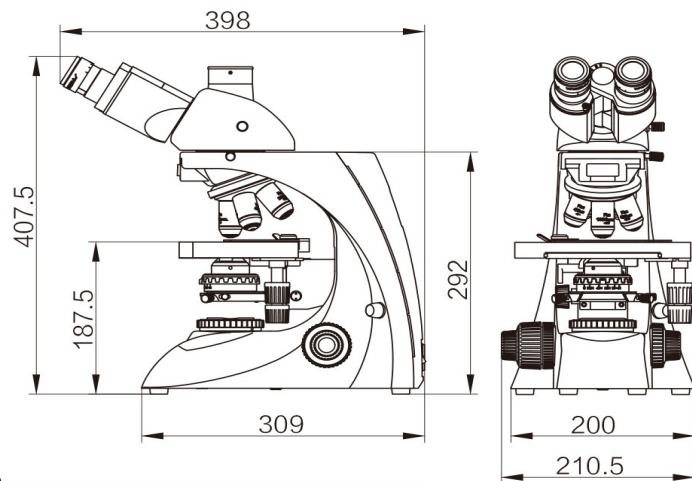
Rackless stage

Objective Lens Specifications: R indicates retractable/spring loaded lens

Infinity Objectives	Magnification	Numerical Aperture (mm)	Field of View with 10X Eye Piece (mm)	Working Distance Bright Field (mm)	Working Distance Phase Contrast (mm)
Plan achromatic	4X	0.1	5	6.73	NA
Plan achromatic	10X	0.25	2	4.19	4
Plan achromatic	20X optional	0.4	1	2.14	1.24
Plan achromatic	40X R	0.66	0.5	0.45	0.29
Plan achromatic	50X R(oil) optional	0.9	0.44	0.12	NA
Plan achromatic	60X R optional	0.8	0.65	0.12	NA
Plan achromatic	100X R (oil)	1.25	0.2	0.12	0.12

Jenco Model Numbers	Bright Field	standard with 10X eye pieces, FN 22; Infinity Plan bright field objectives: 4, 10, 40 & 100X; or phase contrast 10, 20, 40 & 100X; power cord, dust cover, immersion oil, color filters, spare lamp, fuse; phase telescoping eyepiece and anti-microbial treatment on frame and head. Power AC 110-240V, 50/60 Hz Dimensions: LWH (inches/cm) 12x8x15/30.5x20.3x38.1
Binocular	BK-2EF	
Trinocular	BK-3EF	
Kit, modular	BK-EPI	

Fluorescent Filter Slider	Excitation Wavelength	Emission Wavelength
Blue light	420 - 490 nm	520 nm
Green light	500 - 550 nm	590 nm
Ultraviolet	330 - 380 nm	425 nm
Violet	380 - 420 nm	455 nm



Filter specification charts, Blue and Green

