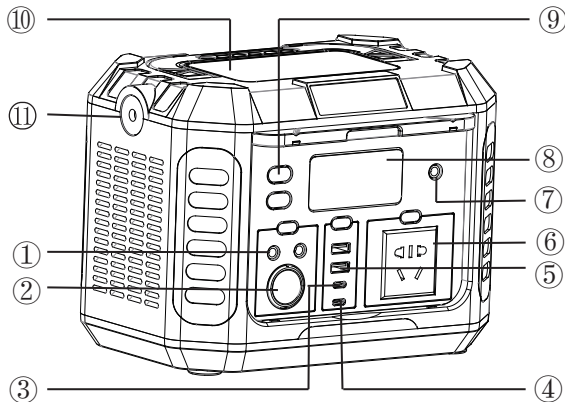


# VXL500-B Portable Power Station

Port number	Port status	QTY
1	DC12V/10A(DC5521)	2
2	DC12V/10AC igarette lighter	1
3	TYPE-C1 18W	1
4	TYPE-C2 PD100 Input/Output	1
5	USB QC3.0	2
6	AC Output 500W	1
7	DC5521 Charge (12-24V/5A)	1
8	Display screen	1
9	Power Switch	5
10	Wireless charging	1
11	LED lights	1

### packaging instructions

●The overall size of the power station is 241\*161\*181mm.

Material Name	Specification Model	Unit	QTY
Portable Power Station	VXL500-B	PCS	1
User Manual		PCS	1
Color Box	Hand strap upper and lower pearl cotton	PCS	1
Car charging cable	1.2m	PCS	1
AC Charger	100w	PCS	1

### Product discharge time

Equipment	Equipment Power	Discharge time
Mobile Phone	4000mAh	Can be recharged about 32 times
Light bulb	40W	About 12 hours
Household fans	75W	About 7 hours
Laptop	35W	About 13.5 hours

### Product operation instructions

- Long press the power switch for 2 seconds to turn on the system and wireless charging function, long press for 2 seconds to turn off the output of the whole power station.
- Long press the LED light switch for 2 seconds to turn on or off the LED light, and short press it to switch between high light, low light, and call for help modes in turn.
- Long press the DC switch for 2 seconds to turn on or off the output of DC5521 and the car cigarette lighter, the display shows or turns off the DC symbol, and the maximum power is 120W.
- Long press the USB switch for 2 seconds to turn on or off the output of USB1, USB2, TYPE-C1, TYPE-C2, and the display screen will show or turn off the USB symbol. USB1 and USB2 support QC3.0, TYPE-C1 supports 18W output, and TYPE-C2 supports 60W output.
- Long press the AC switch for 2 seconds to turn on or off the inverter output, the display shows the AC symbol, and the rated power is 500w.

### Charging instructions

- Grid Power Charge:
  - Connect the charger to the charging port of the product and plug it into the grid power to charge.
  - Connect the TYPE-C charger to the TYPE-C2 port of the product and plug it into the mains to charge
- Car charger: connect the car charging cable to the product charging port and plug it into the car cigarette lighter to charge.
- Solar charging: connect the solar panel to the product charging port to charge

- When using this product, you must strictly follow the steps in the manual. In case of abnormal operation, turn off the power switch immediately.
- For the product heat dissipation space, reserve a 5cm space around the product so that the heat dissipation can be convective.
- When the power of the product is insufficient, the load power exceeds the rated power, the ambient temperature is too high, or the electrical equipment fails, the product will automatically activate the protection function to turn off the output, and the switch can be turned on again after the failure is eliminated.
- Power charging, it is recommended to use the original charger to charge when there is no load. The charging time is about 8H. Please unplug the charger in time after charging.
- Leaving the power station for a long time will cause the power station itself to be exhausted. Please make sure to charge it every 6 months.
- When using an AC load, the power provided by this product is the rated load power. Generally, AC load devices less than this power can be used normally, but some electrical equipment is often turned on when the starting power is greater than the rated power, such as motor equipment. The instantaneous power is generally several times the rated power. In addition, the starting power of energy-saving lamps is about tens of times its rated power. If their starting power is more than the peak power of our products, the overload protection function of our products will be activated and the output will be automatically turned off.
- It is forbidden to use this product in flammable, explosive and corrosive gas environments such as gasoline, gas, etc.
- The product accidentally enters water or other foreign substances invade. In order to ensure the safety of the product, please send it to the dealership for testing and processing. The company will charge for processing due to abnormal use.

### Simple product troubleshooting

- When there is no AC output when power on, check whether the battery display screen is displayed. If it does not display, try to charge the product for 1-2 minutes to activate the product.
- When there is no DC output when the machine is turned on, check whether there is a problem with the digital product and the connection line.

- 1 Do not put the product in water!
- Do not heat the product and close to the fire source
- Do not disassemble or modify the product without authorization!
- Do not hit the product forcefully!

### Warning