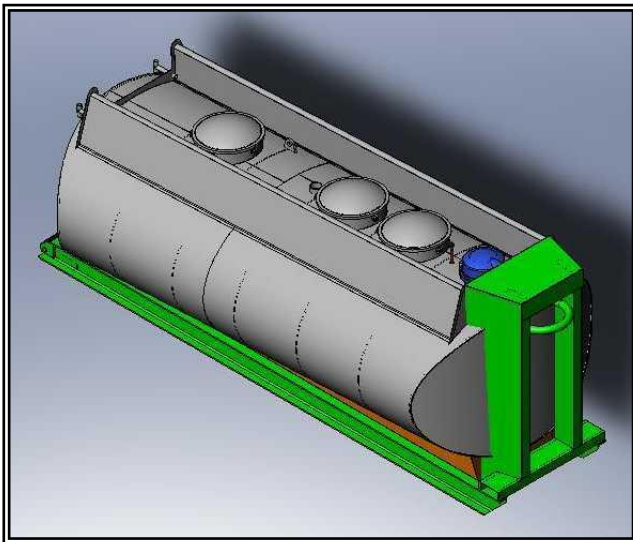


AirVAXX H-Series Hook-Lift Pressure & Vacuum Units

Air & Gas Industries has developed its range of **AirVAXX** liquid waste tankers to include H-Series Hook-Lift Pressure & Vacuum Units.



Celebrating **40** *Years* 1974 - 2014

Spoils tanks fitted to **AirVAXX** H-Series Hook-Lift Liquid Waste Systems are designed to AS1210, Hazard Level E for the collection and transport of sewage and non-harmful waste liquids.

For more information on our services and products contact us:-



Ph: (07) 3271 5899 Fax: (07) 3271 5726
mail@airgas.com.au