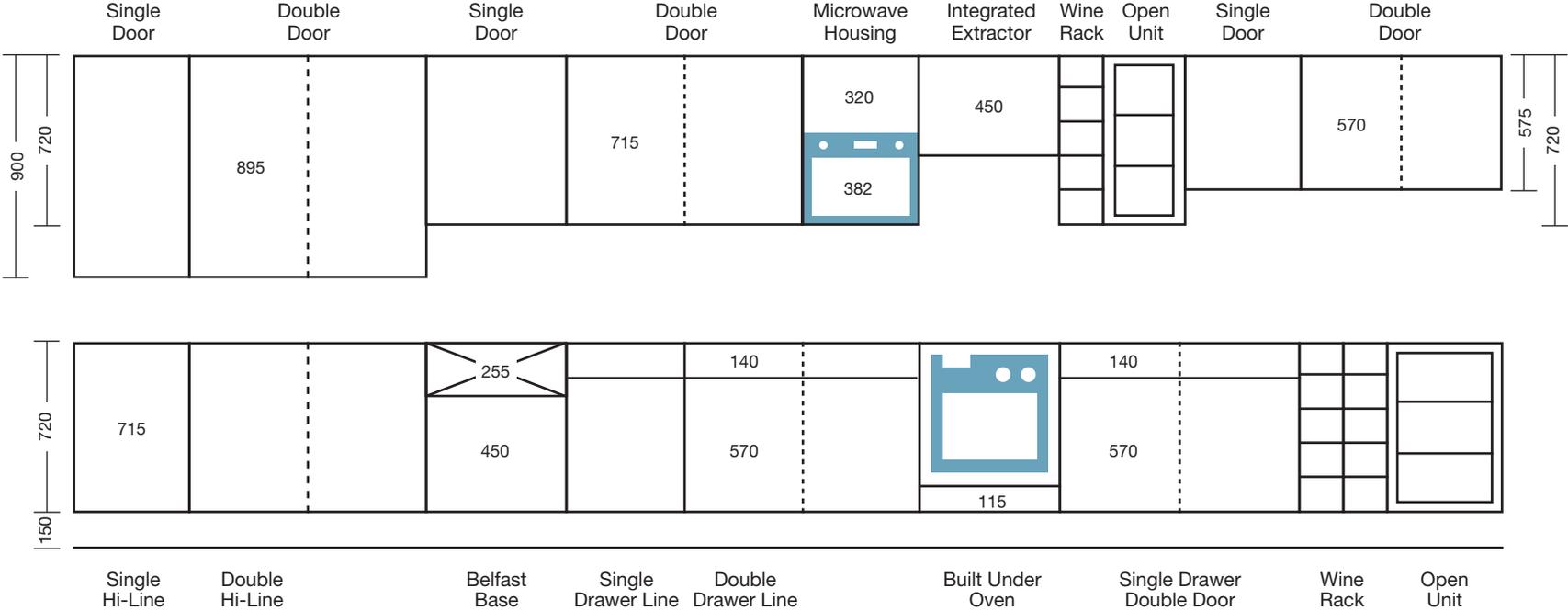
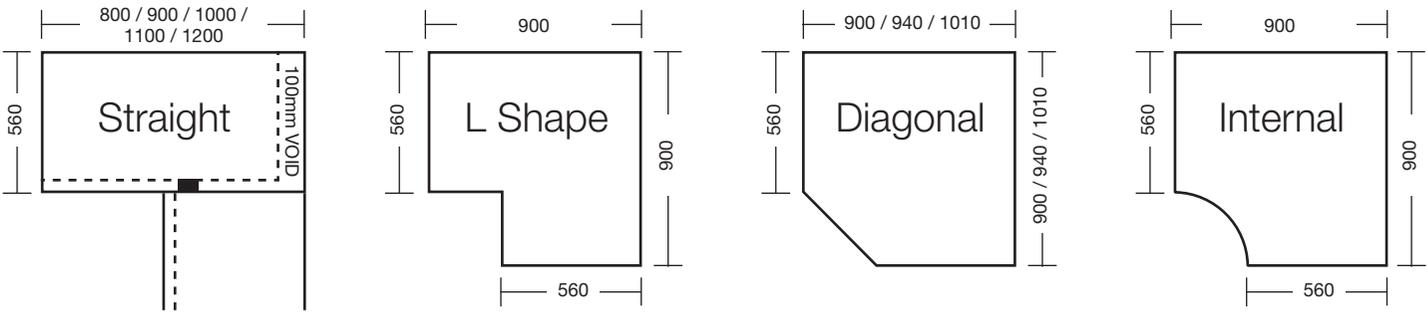


Technical Information

Base Units and Wall Units

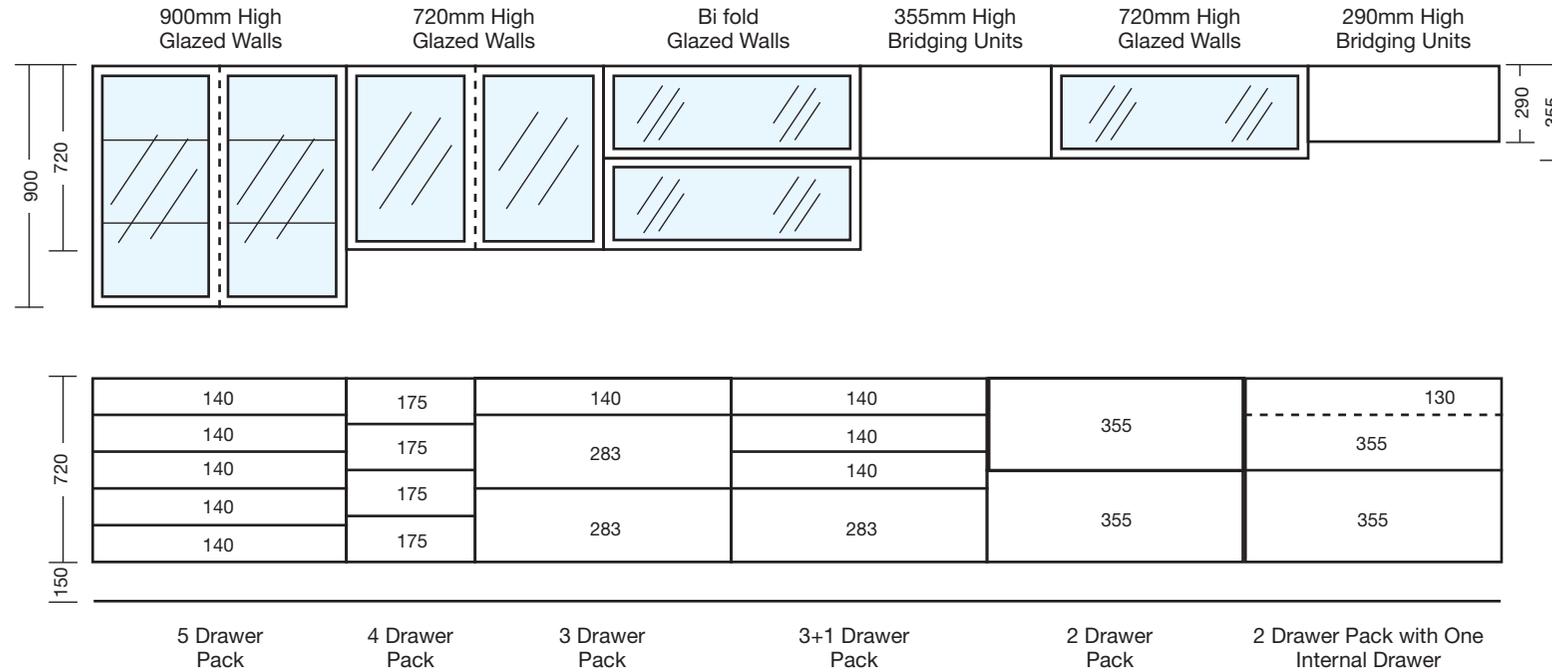


Base Corner Units

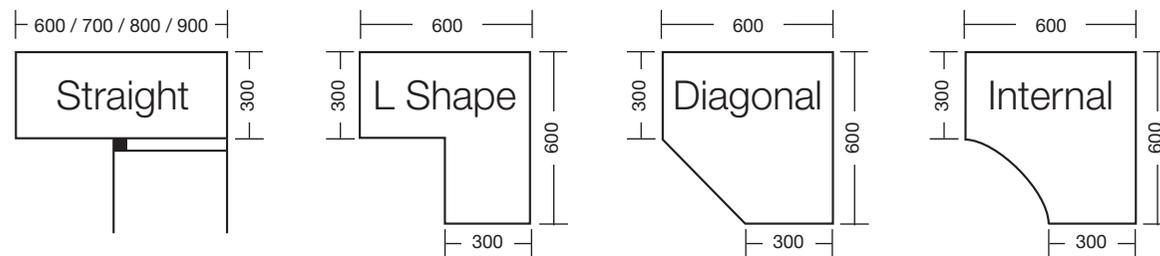


Technical Information

Drawer Packs and Feature Units



Wall Corner Units

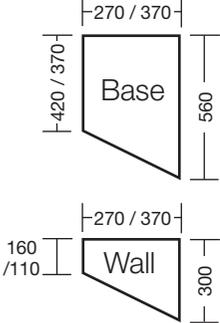


Technical Information

1250mm Studio Height

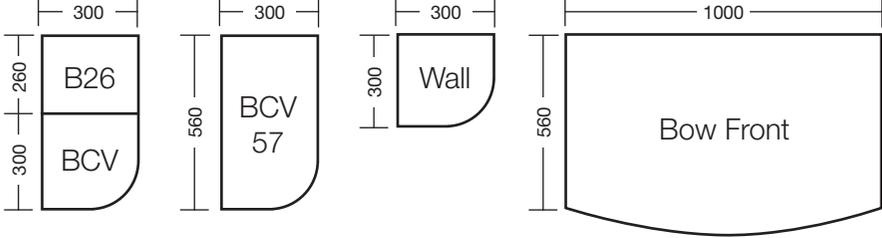


Angled Units



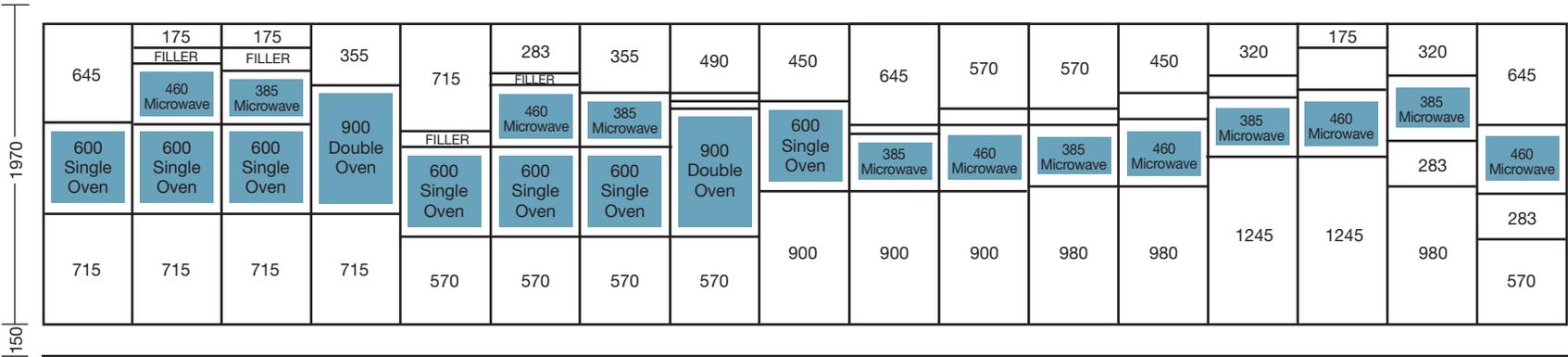
270 = 715 x 297
370 = 715 x 397

Curved Units



1970mm Tall Oven and Microwave Housings

Note: the overall guide height for wall unit installation is 2120mm

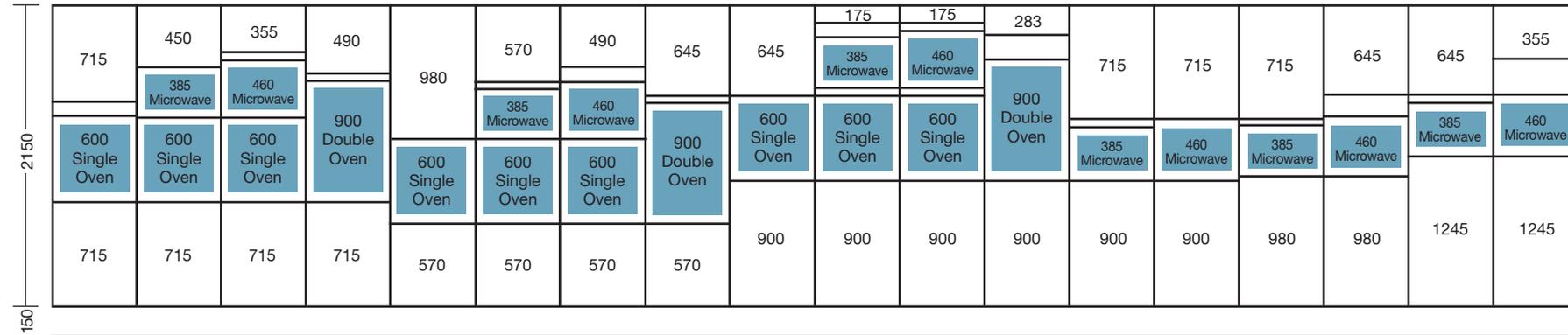


TAH60(B)

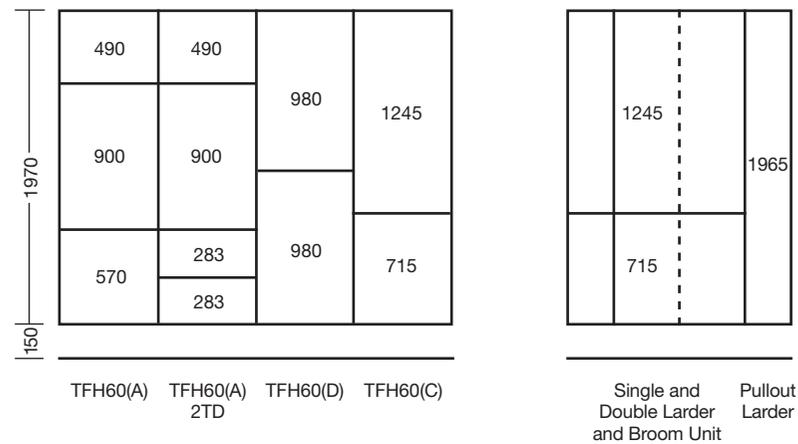
TAH60(D) TAH60(C) TAH60(A)

Technical Information

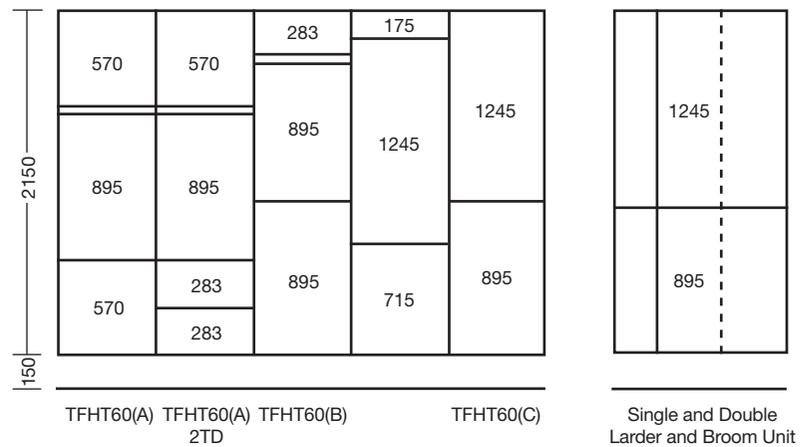
2150mm Tall Oven and Microwave Housings Note: the overall guide height for wall unit installation is 2300mm



1970mm Tall Fridge and Freezer Housings

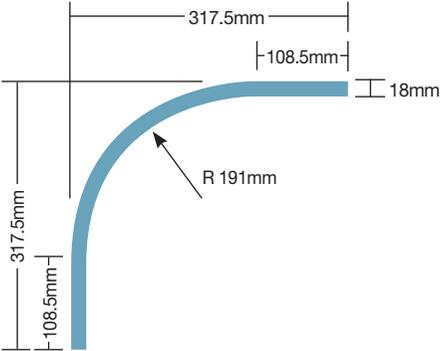


2150mm Tall Fridge and Freezer Housings



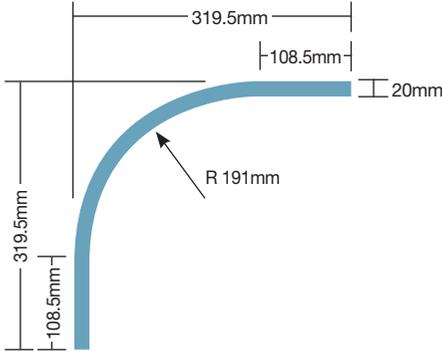
Technical Information

Lacquered Slab Door



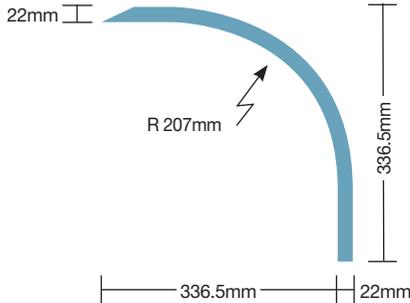
Door height 715mm
 (895mm high door is also available in some ranges,
 please see price list)

Timber Door



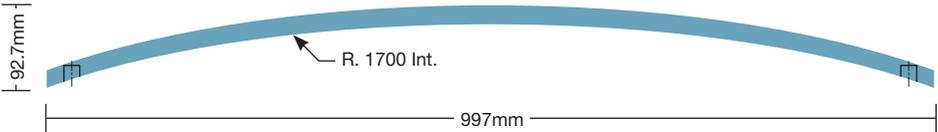
Door height 715mm
 (895mm high door is also available in some ranges,
 please see price list)

Jazi Internal Curve

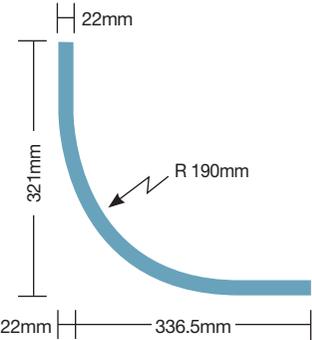


(illustrated as right hand)

1000mm Curve

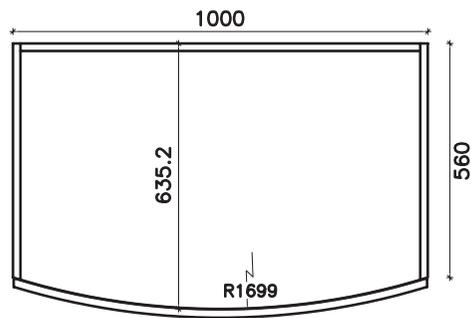


Jazi External Curve

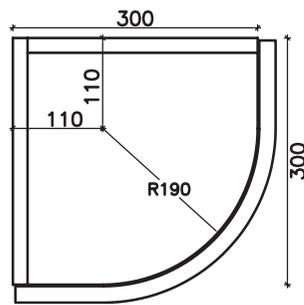


Technical Information

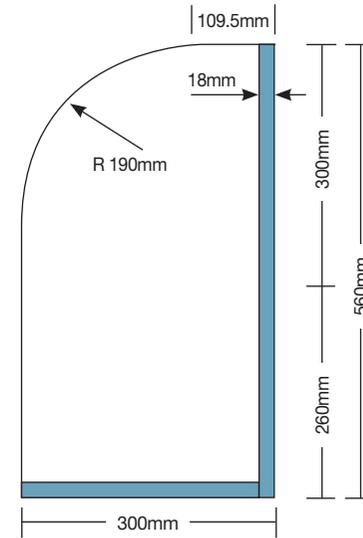
Bow Front Base Unit



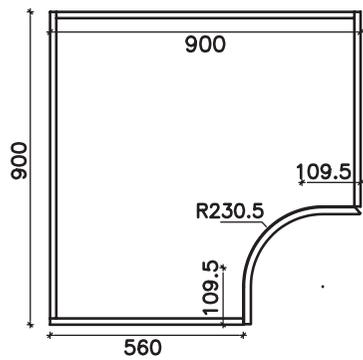
External Wall Unit



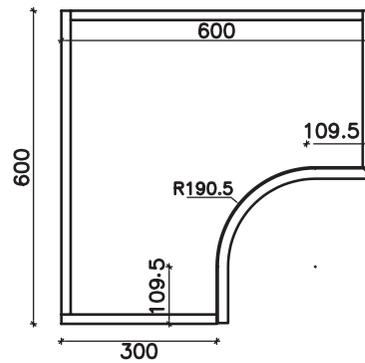
External Base Unit



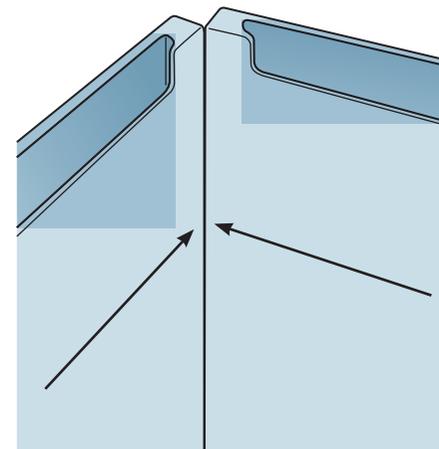
Internal Base Unit



Internal Wall Unit

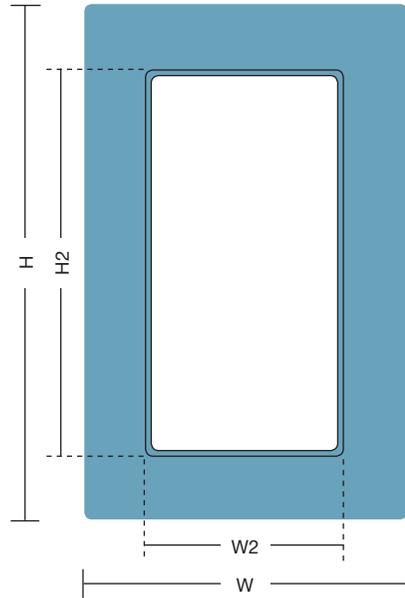


Jazi Corner Solution



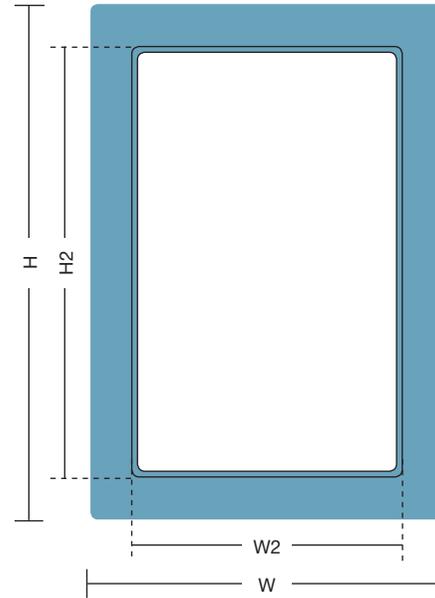
Aperture Sizes

Priory frame



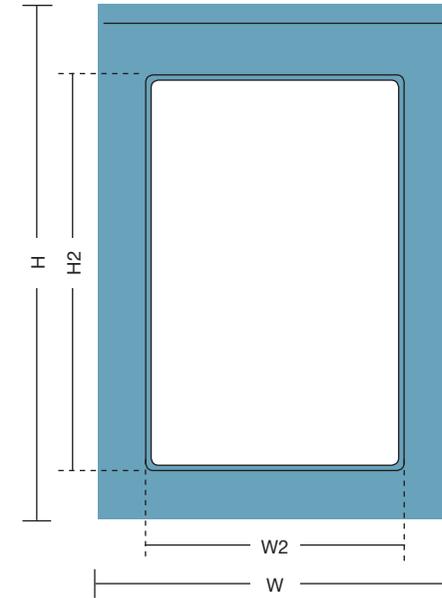
Door Height (H)	Door Width (W)	Aperture Height (H2)	Aperture Width (W2)
895mm	497mm	724mm	326mm
715mm	497mm	544mm	326mm
715mm	397mm	544mm	226mm
355mm	497mm	497mm	326mm

Urbani frame



Door Height (H)	Door Width (W)	Aperture Height (H2)	Aperture Width (W2)
895mm	497mm	777mm	379mm
715mm	597mm	597mm	479mm
715mm	497mm	597mm	379mm
715mm	397mm	597mm	279mm
355mm	497mm	237mm	379mm

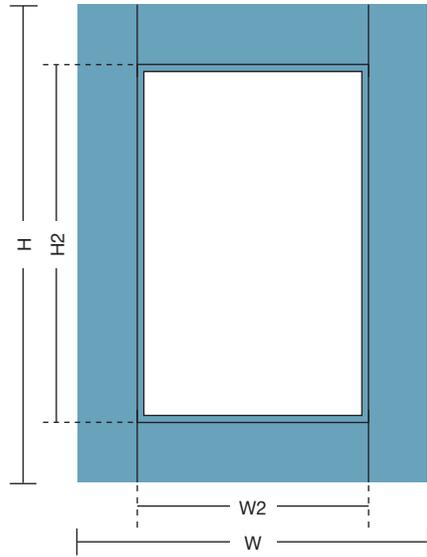
Jazi frame



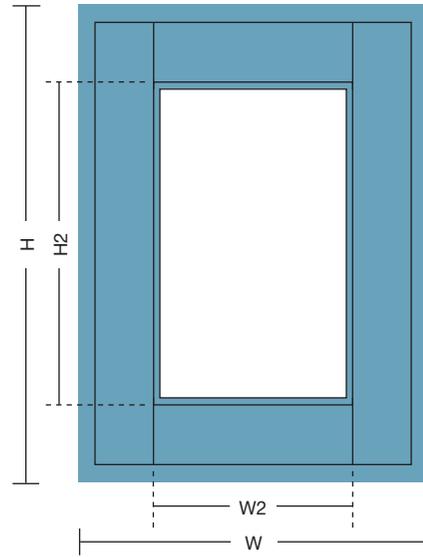
Door Height (H)	Door Width (W)	Aperture Height (H2)	Aperture Width (W2)
895mm	497mm	727mm	354mm
715mm	497mm	547mm	354mm
715mm	397mm	547mm	254mm
355mm	997mm	187mm	854mm
355mm	797mm	187mm	654mm
355mm	597mm	187mm	454mm
355mm	497mm	187mm	354mm

Aperture Sizes

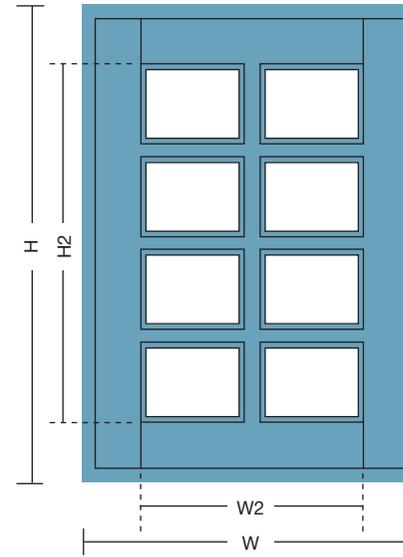
Westwood/Eastwood frame



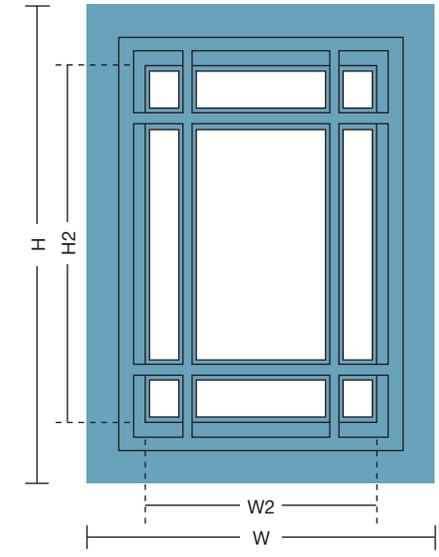
Gainsborough frame



Gainsborough frame with grille



Glebe frame



Door Height (H)	Door Width (W)	Aperture Height (H2)	Aperture Width (W2)
355mm	496mm	162mm	300mm*
355mm	996mm	162mm	800mm*
715mm	396mm	522mm	200mm
715mm	496mm	522mm	300mm
715mm	596mm	522mm	400mm
895mm	496mm	702mm	300mm
1065mm	496mm	872mm	300mm

Door Height (H)	Door Width (W)	Aperture Height (H2)	Aperture Width (W2)
355mm	496mm	135mm	276mm
355mm	996mm	135mm	776mm
715mm	396mm	495mm	176mm
715mm	496mm	495mm	276mm
715mm	596mm	495mm	376mm
895mm	496mm	675mm	276mm
1065mm	496mm	845mm	276mm

Door Height (H)	Door Width (W)	Aperture Height (H2)	Aperture Width (W2)
715mm	496mm	495mm	276mm
895mm	496mm	675mm	276mm
1065mm	496mm	845mm	276mm

715 x 496mm has a 3 x 2 grille.
895 x 496mm and 1065 x 496mm have a 4 x 2 grille (as shown).

Door Height (H)	Door Width (W)	Aperture Height (H2)	Aperture Width (W2)
355mm	496mm	170mm	312mm
355mm	996mm	170mm	812mm
715mm	396mm	530mm	212mm
715mm	496mm	530mm	312mm
715mm	596mm	530mm	412mm
895mm	496mm	710mm	312mm
1065mm	496mm	880mm	312mm

*Size not available in Eastwood

MAK Linien Technical Information

Urbani Door Model + Gola Rail System = MAK LINIEN

The MAK LINIEN door model is a German styled 18mm lacquered slab door designed to work with a “Gola” type rail system to give the True Handle-Less look.

The rail system is deceptively simple with one vertical rail and one horizontal rail in a brushed aluminium finish or a stylish black finish installed on carcasses with appropriate machining.

90° internal and external corners are available for both profiles

with end caps if required. There is one fixing bracket which allows easy installation.

Typically this style of product has limitations in the range of design options but we believe that the MAK LINIEN product range offers more options than is usually available. Curved and diagonal units however are not compatible with this product range.

In addition to 685mm high doors on 720mm base units to give a highline look, MAK LINIEN offers 4 different drawer options as shown below.

685	175	328	139	139
			139	139
	490	328		139
			355	175



Wall units can be installed with standard height doors on standard height carcasses using the Hettich “push to open” pin. This creates the Handle-Less look on the usual large range of door options.

If this “push to open” option is not preferred then it is suggested that standard height doors can be installed on shorter carcasses. For example a 715mm high door on a 700mm high carcass.

Please refer to the new product price list in which you will find a larger than usual range of door and drawer widths.