



The Portafill MJ-9R is a compact mobile jaw crusher, ideally suited to contractors and quarry operators alike. Fitted with a hanging screen and side conveyor. The side conveyor can return oversize material to the hopper or can hydraulically move to stockpile material to the side of the machine.

**Vibrating Feeder**  
 Feed Length 4100mm (13'5")  
 Feed Width 2000mm (6'6")  
 Feed Height 3300mm (10'9")  
 Capacity 4cbm (5.2 cu. yd.)  
 or 7cbm (9 cu. yd.) heaped

**Jaw Crusher**  
 850mm x 500mm (34" x 20")  
 Single Toggle

**Dirt Conveyor**  
 500mm (20") Wide  
 Discharge Height  
 2830mm (9'3")

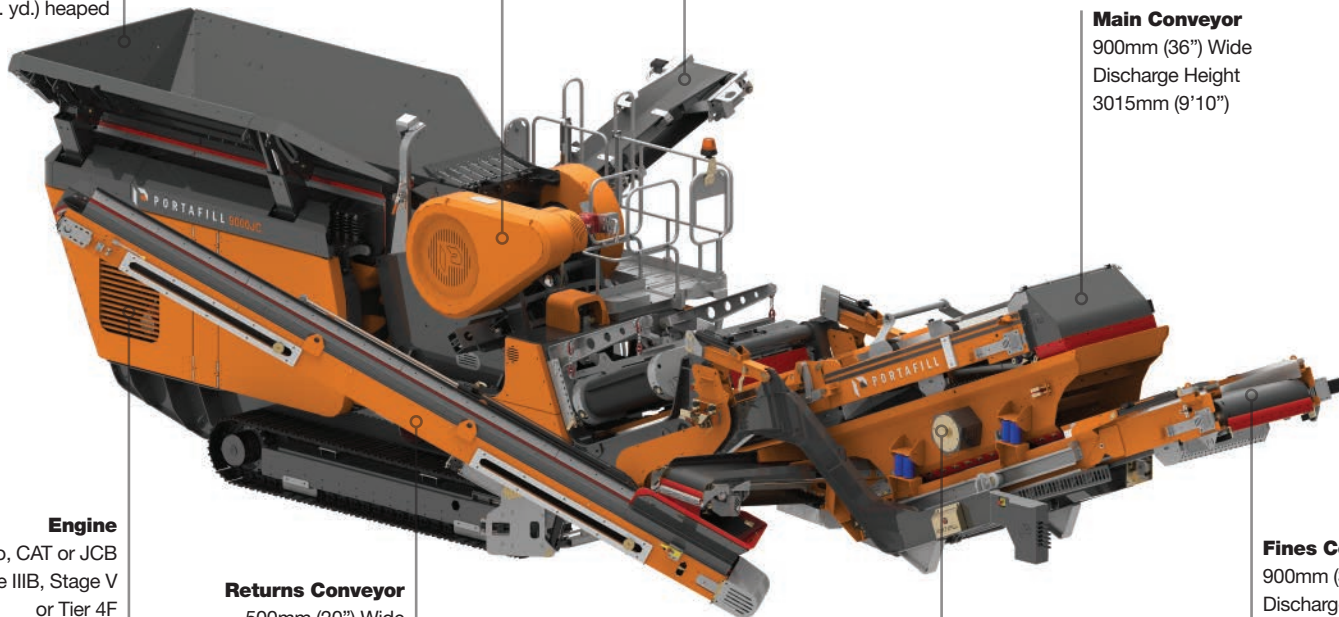
**Main Conveyor**  
 900mm (36") Wide  
 Discharge Height  
 3015mm (9'10")

**Engine**  
 Volvo, CAT or JCB  
 Stage IIIB, Stage V  
 or Tier 4F

**Returns Conveyor**  
 500mm (20") Wide  
 Discharge Height  
 3575mm (11'8")  
 Hydraulic Swing  
 as Standard

**Overall Screen Box**  
 2 Bearing, Single Deck  
 3340mm x 1000mm (10'11" x 3'3")

**Fines Conveyor**  
 900mm (36") Wide  
 Discharge Height  
 2830mm (9'3")



## Features

- Pan feeder with load sensing
- High capacity jaw crusher
- Excellent access to power pack
- Magnet raises hydraulically for clearance
- Full maintenance platform around crusher
- Quickly detach closed loop system and transport independently

Transport		Working	
<b>Width</b>	2.5m (8'4")	<b>Width</b>	10.1m (33'4")
<b>Length</b>	13.0m (42'7")	<b>Length</b>	14.1m (46'3")
<b>Height</b>	2.9m (9'8")	<b>Height</b>	3.5m (11'8")
<b>Weight</b>	31,700kgs* 69,900lbs*	*With no options	

Portafill International Ltd, Dungannon Business Park,  
 Killyliss Road, Dungannon, Co Tyrone, BT70 1RP  
 T: 44 (0)28 8772 3505 | reception@portafill.com | [www.portafill.com](http://www.portafill.com)

All dimensions and weights are approximate. Subject to change without notice.

# PORTAFILL MJ-9R