

TECHNICAL SPECIFICATION

PORTAFILL MT-6



ROTARY SCREEN

Drum	Removable Direct Drive Rotary Screen Drum
Drum Size	5500mm (18'1") x 2000 (6'7")
Drum Speed	Variable Speed
Drum Drive	Gear and chain drive with soft start

POWER

Engine	Deutz TCD2.9 L4 (EPA Tier 4) 55kW (74HP)
Engine	Deutz TCD2.9 L4 (EU Stage V) 55kW (74HP)
Fuel Tank Capacity	195L
Hydraulic Tank Capacity	220L

FEEDER CONVEYOR

Flat Belt Width	1200mm (47")
Feeder Conveyor Speed	Variable Speed
Drum Load	Feeder Drive Sensitive to Drum Load

COLLECTION CONVEYOR

Collection Conveyor	1400mm (55") Wide, Flat Belt
Replacement	Easy cartridge replacement

OVERSIZE CONVEYOR

Oversize Conveyor Width	1000mm (40") Wide Chevron Conveyor with Side Skirting
Oversize Conveyor Speed	Variable Speed
Discharge Height	3500mm @ 30° (11'6")

FINES CONVEYOR

Fines Conveyor	800mm (32") Wide, Chevron Belt
Discharge Height	4000mm (13'2")

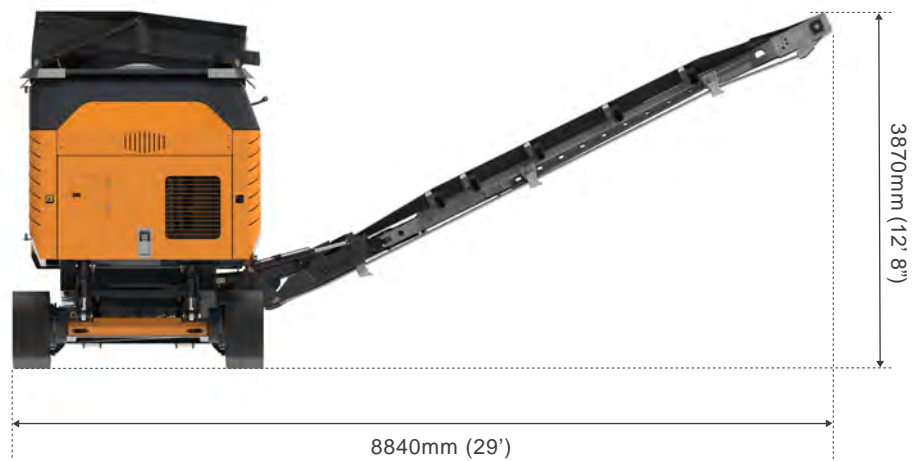
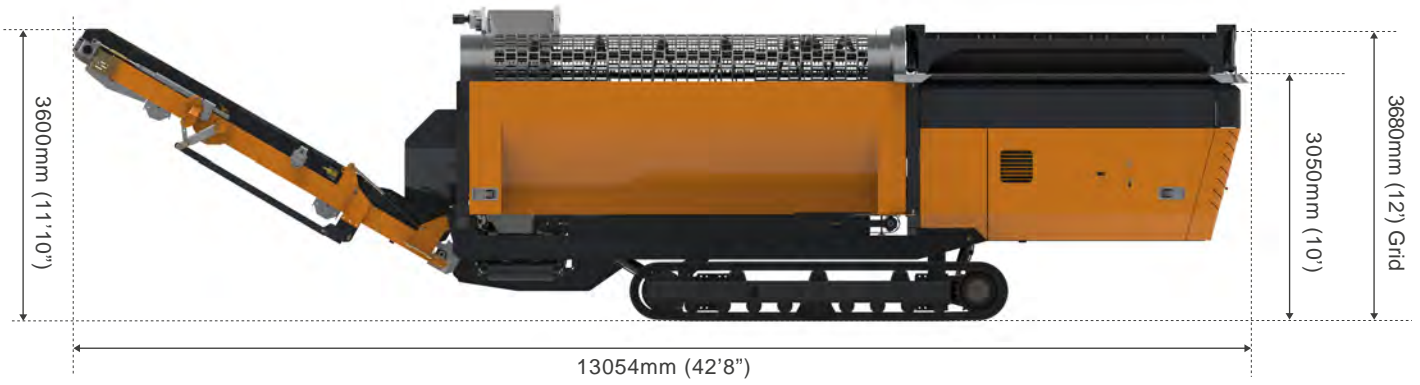
HOPPER

Volume	3m ³ (5.4m ³ heaped)
Tipping Grid	Optional Hydraulically Tipping Grip with Remote Control
Optional Vibrating Tipping Grid	With Grizzly, Fingers or Mesh Screen
Maximum Feed Size	400mm on Grid Bars (depending on material)

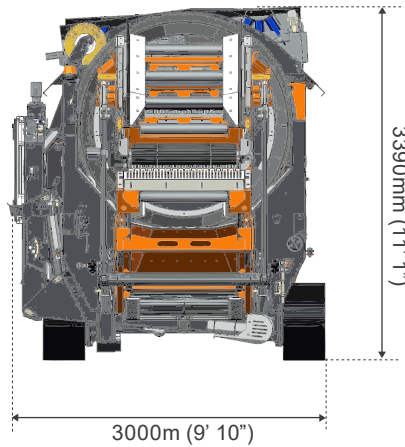
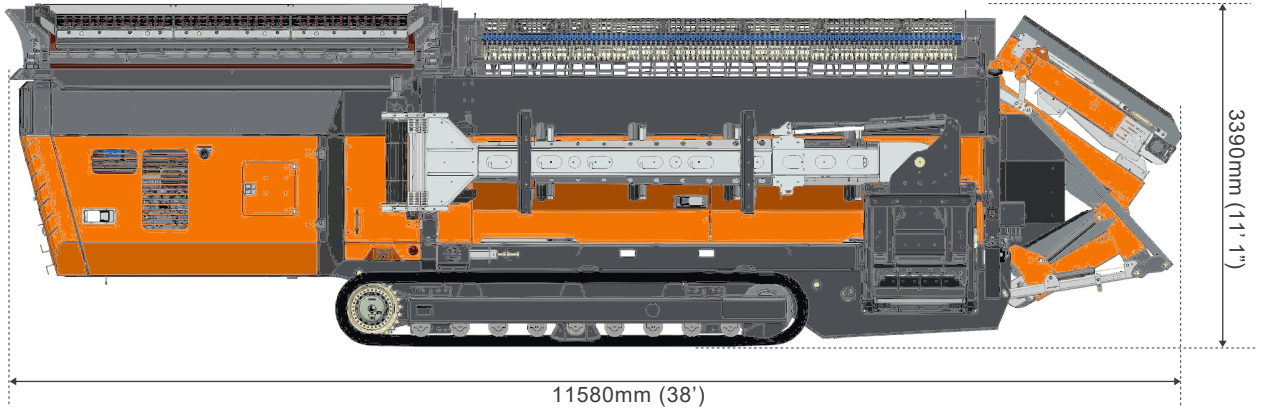
UNDERCARRIAGE

Undercarriage	Tracked
----------------------	---------

WORKING DIMENSIONS



* All drawings dimensions approximate and in millimetres and feet and inches. Portafill International reserves the right to alter the specification of the machines without notice. Images may show some optional equipment. E & OE.

TRANSPORT DIMENSIONS


Transport Height 3390mm (11'1")	Transport Length 11580mm (38')
Transport Width 3000mm (9'10")	Weight 22,000kg (48,500lbs) <i>(Approx. with tipping grid and punch plate drum)</i>
PATENT NO	2894116