

Rumbleseat Review

March 2017

*Ogdenite invents the
Electric Welding Machine
p. 4-5*

Beehive A's - The Model A Ford Club of Northern Utah

Prez Message

Howdy Y'all!

I finally took my starter in to get it repaired. The guy had it a week, and I was thinking that was a bad sign. Either they had forgotten who dropped it off, or it was in that bad of shape. They called me and I picked it up. I thought it would cost me a fortune but, happy to say, it didn't. I guess it must have been something simple. I can now put the starter in...and with the good weather, maybe take it for a ride.

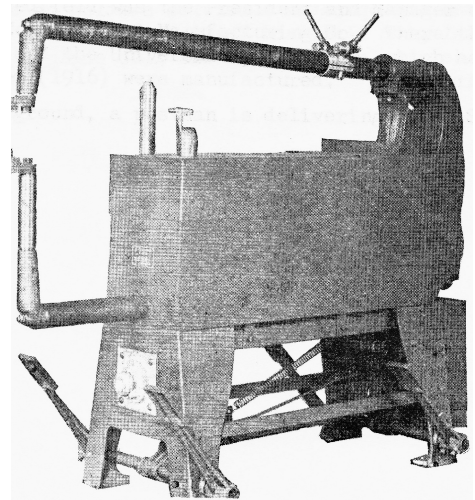
It might be my only mode of transportation, as my F350 needs an injector, and they couldn't get it in until next Friday. The 85-year-old technology wins this round.

I am really looking forward to this summer. We have a lot of great activities planned.

And now, of course, that I have said something, we will get another eight feet of snow. Stupid Gopher, six more weeks of winter... ba!

Ok, so as a change, our next meeting will be at Dean Murray's 'offices' at 1812 N 2000 W in Farr West. Bring a chair. I think you will need it.

I might bring my car...without the hood. I'm still working on that.
Ride on! Dave



Electric Spot Welder patented 1920

*****A's Club Meeting for March*****

Monday March 13, 7:00 p.m. at
 1812 N. 2000 W. Farr West, Ut.
 Bldg. at Northeast Corner of intersection.
 Enter front door to insurance agency.
 Upstairs to meeting room.
 Bring a chair or you might sit on the floor!

Out & About

Dave Spinden was the only one to drive his 'A' in the dark to our last club meeting. **Randy and Kathy Christiansen** have a new addition to their family, a granddaughter, and may now be officially called "Grandma" and "Grandpa." A tech discussion ensued about the best easy way to install new spindles and kingpins into an 'A'.

Mike and Vic Bachman were thanked for providing the meeting accommodations at their honey store. **Craig Berry** provided the refreshments. **Eldon Flinders** won the raffle.



Club Calendar Events

March 25 or April 1: 9:00 a.m. Spring dust off tour to Golden Corral in Layton and then onto Cabelas.

May 8: Club meeting at the Eilander/Stoker home.

June 3: RC Willey Car Show.

June: 9-11: Boise, Treasure Valley 4 Banger 400 back country of southern Ida.

June 23: West Haven car show 5:30-9:30 p.m.

June 17: Swap Meet at Autoliv Parking in South Ogden.

June 23-25: Antique Power Show, Wallsburg, Ut.

July 4: Layton City celebration parade.

July 24: Ogden Pioneer Days Parade.

July 29: Stags car show, Plain City park.

August 21: Idaho solar eclipse tour, Soda Springs to Irwin, Ida.

September 7-17: Utah State Fair.

September 16: Swap Meet at Autoliv Parking in South Ogden.

September 24 - 29: MAFCA National Pacific Coast Highway tour.

Other: Salty A's--Ely NV., Car games, youth involvement, Oakley Diner.

3

A Picture that is worth a thousand words!



This thousand word picture leaves us with many important unanswered questions and so to begin our quest for knowledge we go to the Department of Questions to ask:

1. Whose Model A is this?
2. Why is it stopped at the side of the highway on I-15 near 31st?
3. For safety reasons why are the red stop lights not on?
4. When did this incident occur?
5. Was an accident/incident involved?
6. Was the Utah HP summoned or just showed up?
7. Was the owner of the vehicle exceeding the posted speed limit?
8. Was there a citation issued for any reason to the vehicle's owner?
9. Did the Utah HP run a license and plate check of the driver?
10. If so what did it reveal?
11. Was there an electrical or mechanical malfunction?
12. Why was he heading south, in the winter, on I-15 near 31st. Street?
13. Is the owner a 'snowbird' migrating to hibernate in Arizona for the winter?

Near a thousand word description? Nope! So as not to bore you...

These and other eternal questions must be/shall be answered by the presumed owner, **Dan Johnson**, as he is called to stand before the next club meeting for an explanation. ...and

Does this not qualify **D. J.** for the breakdown trophy that no longer exists?

Preparing your 'A'...

For the coming summer tours!! A safety spring checklist for your 'A' is provided at the end of this newsletter, pp. 7-8.

Ogdenite John Browning is renown for his gun designs....

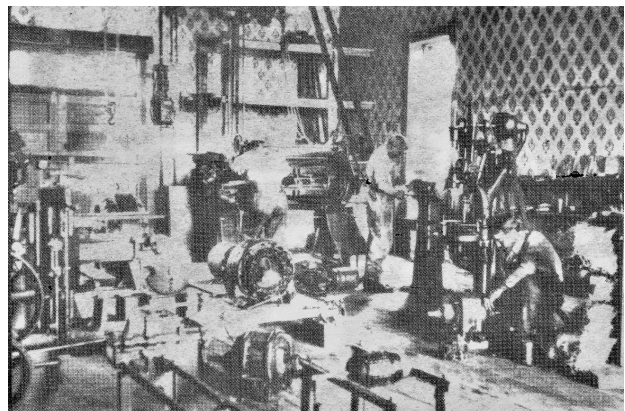
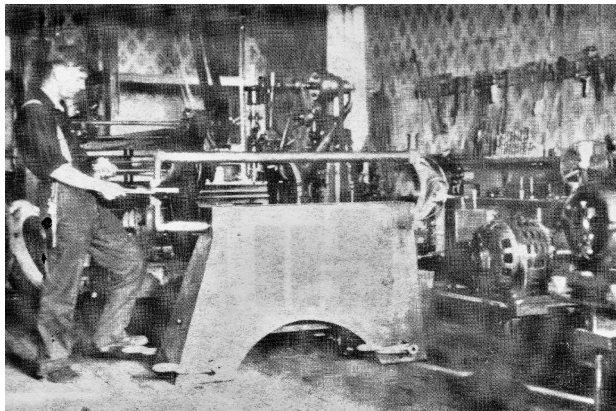
Little is known however of the Ogdenite who...

Invented the Spot Welder

Cleveland A. Redfield (1884-1956) was the owner, operator, and manager of the Redfield Electric Co., located at 314 Washington Blvd. in Ogden. He his the inventor of the "The Automatic Controller & Universal Spot Welder" manufactured at this/his business address. Patent number US1362962 was issued to him on April 15, 1919 upon the submission of an application. His invention became 'officially' patented on December 21, 1920. The picture to the right is of Mr. Redfield taken while in Washington D. C. to obtain the



patent. The other pics are of the spot welder, the Automatic Controller & Manufacturing Co. interior workings, and of the patent. This invention is perhaps just as significant as the Browning gun inventor – perhaps even more so. A google search revealed nothing of Charles C. Hartley who is also named on the patent application--apparently a partner.



UNITED STATES PATENT OFFICE.

CLEVELAND REDFIELD AND CHARLES C. HARTLEY, OF OGDEN, UTAH, ASSIGNORS TO AUTOMATIC CONTROLLER AND MANUFACTURING CO., OF OGDEN, UTAH, A CORPORATION OF UTAH.

ELECTRIC WELDING-MACHINE.

1,362,962.

Specification of Letters Patent. Patented Dec. 21, 1920.

Application filed April 15, 1919. Serial No. 290,247.

To all whom it may concern:

Be it known that we, CLEVELAND REDFIELD and CHARLES C. HARTLEY, citizens of the United States, residing at Ogden, in the county of Weber and State of Utah, have

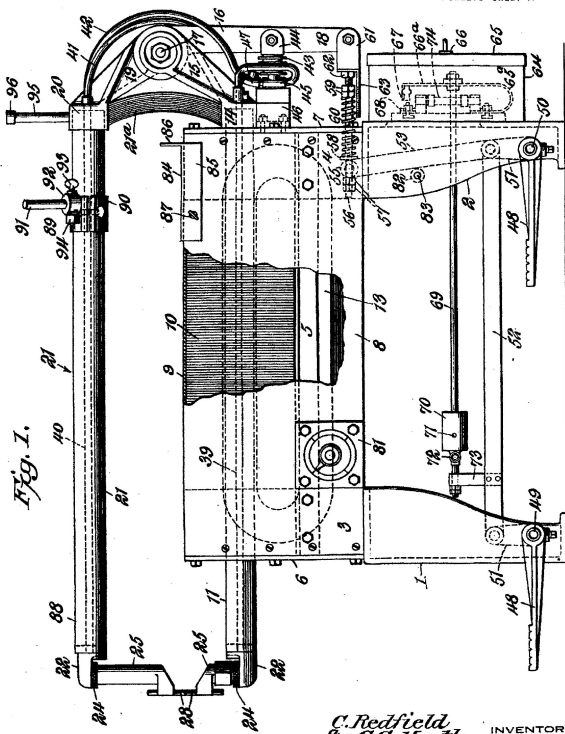
the machine showing some parts in elevation.

Fig. 3 is a rear elevation of the machine.

Fig. 4 is an end view of the primary and core portions of the transformer and show-

C. REDFIELD AND C. C. HARTLEY.
 ELECTRIC WELDING MACHINE.
 APPLICATION FILED APR. 15, 1919. Patented Dec. 21, 1920.
 4 SHEETS—SHEET 1.

1,362,962.



WITNESSES
 Howard D. Orr
 H. J. Chapman.

C. Redfield
 and C. C. Hartley,
 INVENTOR,
 BY E. J. Singers
 ATTORNEY



25. An electric welding machine provided with a welding throat having long and short electrode holders, and an interchangeable extension adapted to either electrode holder, the holders and extension being all usable at the same time to allow a greater number of combinations of make-up than there are electrode holders, whereby to produce various degrees of extension of the electrodes.

In testimony that we claim the foregoing as our own, we have hereto affixed our signatures.

CLEVELAND REDFIELD.
 CHARLES C. HARTLEY.

Witnesses:
 DAVID JENSON,
 BLEND A BROSTROM.

PS/Quote: Laws they don't teach in physics: *If the clothes fit, they're ugly.*

Beehive A's Chapter of MAFCA

Chapter Officers:

President: Dave Mamanakis 801-710-0365

Vice Pres: Dennis Thompson 801-476-8303

Pres. Elect: Craig Berry 801-782-5107

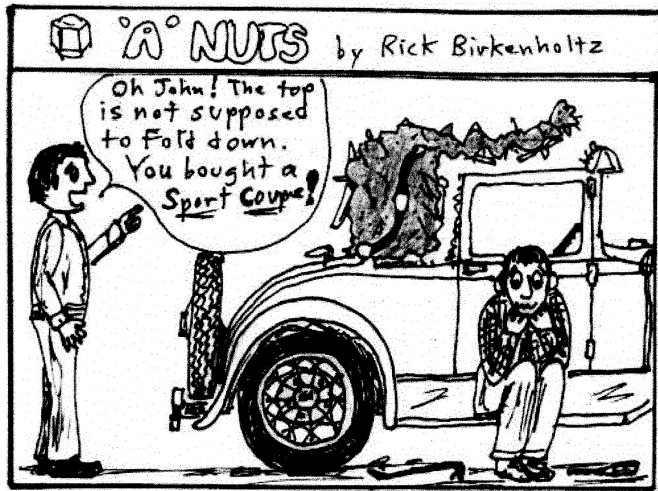
Sec./Treas.: Jim Brown 801-544-0056

Newsletter: Rich Kotter 801-782-4886

MAFCA Club

Reporter: Clark Peterson 801-699-4555





Call Motor Company, LLC
 Craig M. Call, Owner
 999 North Washington Blvd.
 Harrisville, UT 84404
 Tel. 801-859-2255
 callmotor@comcast.net

Marvin Jensen • Paul Jensen • Karl Glover

Jensen Auto Service, LLC

Complete Auto Repair
 Custom Engine Rebuilding
 3192 So. Midland Drive, Ogden, Utah 84401
 (801) 621-4252
 www.jensenautoservice.com

ORIGINAL & REPRODUCTION MODEL A PARTS

WEB SITE: WWW.MODELSTORE.COM
 E-MAIL: PARTS@MODELSTORE.COM

BERT'S MODEL A CENTER

3560 Chestnut Place
 Denver CO 80216
 Open Tues - Sat

Phone: 303-293-FORD (3673)
 720-377-0063
 Toll Free: 1-800-321-1931
 Fax: 303-484-7630

Steve Phil Alan

M MITCHELL GEAR - SPLITTER

Sue Steve Cyndi Mitchell
Mitchell MFG.
 530-458-4500
 800-859-2088

VINTAGE CAR OVERDRIVES/UNDERDRIVES

P.O. Box 925 1157 Parker St. Colusa, CA 95932

SHADEY TREE GARAGE

1928 MODEL 'A' 1931

Ray Wheelwright
 Head Mechanic & Tire Kicker
 394 0780

MEMBER BEEHIVE 'AS' MAFCA

276 East 4675 South Ogden, Utah 84405

RDS Wheel Restoration
 Your wheel matters!

Randy Short
 Owner
 1448 Lincoln Avenue
 Ogden, Utah

(385) 205-9816
 paratr34@hotmail.com

To take your 'A' out of the winter mothballs, compliments of John Hall, a safety spring checklist is provided, on the next two pages.

Model A Technical Tips**New Year Technical Resolution****WHEN WAS THE LAST TIME YOU:****1. Greased your throw-out bearing?**

To do this job remove the floor mat, floor board & inspection plate. Grease bearing through fitting on throw out collar.

2. Packed your wheel bearings?

Remove wheels & drums, wash the bearings and races thoroughly. Pack bearings with wheel bearing grease and reassemble. Don't forget the cotter pin.

3. Greased your speedometer cable?

Remove dash panel and disconnect speedometer cable. Pull out the small inside cable and wash thoroughly. Pack with light cup grease and reinstall. Wipe off excess grease and reinstall panel.

4. Oiled your gas pedal linkage?

There are three places to oil. Behind the engine on the shaft supports there are holes drilled for oiling. Also where the rod connects from the carburetor.

5. Tighten your lug nuts?

Use firm even pressure on all lug nuts. Be sure to see whether nuts are pressing wheels to the drum or just bottoming on the studs. A wheel that is not properly bolted to the drum can be ruined.

6. Checked oil in transmission & differential?

Keep the level up to the filler plug, use 600W in both.

7. Cleaned & flushed the cooling system?

The cheapest best product for this is Arm & Hammer Washing Soda. Pour contents of box of washing soda into your radiator and fill with water, run hot for a half-hour and then drain. Flush system out several times with clean water.

8. Tighten the fan belt?

Loosen generator mounting bolt, move generator away from block until most of the slack is taken up in the belt. Tighten bolt, then check again.

9. Rotated your tires?

Spare to right front, right front to left rear, left rear to right rear, right rear to left front, left front to spare. Follow same pattern in each rotation.

10. Checked your radiator hoses & clamps?

Feel hose. If soft and gummy replace them. Same with split or rotten ones.

Check clamps for tightness and watch for broken ones.

11. Spent an hour tightening nuts and bolts all over the car?

BEEHIVE MODEL A CLUB NEWSLETTER

Spring Safety Checklist

ENGINE COMPARTMENT			UNDERCARRIAGE, WHEELS AND TIRES		
OK	NOT OK		OK	NOT OK	
		GAS LEAK AROUND ALL FITTINGS & CARB.			LOOSE KINGPINS
		LOOSE STEERING BOX AS WHEEL IS TURNED			ALL COTTER PINS
		LOOSE DISTRIBUTOR			BENT TIE ROD AND DRAG LINK
		CHECK FAN BELT TENSION, CHECK FOR CRACKS			CORRECT STEERING BOX BOLTS, NUTS & PINS
		CRACKED FAN AT HUB			BROKEN LEAF SPRINGS
		RADIATOR LEAKS			LOOSE SHOCK ARMS
		CRACKED RADIATOR HOSES			CRACKED WHEELS
		HEAD GASKET LEAKS			LOOSE LUG NUTS
		FRAYED WIRES AND LOOSE CONNECTIONS			WORN TIRES AND CUTS IN TIRES
		OIL LEVEL AND REAR MAIN LEAKS			TRANSMISSION LEAKS
		BENT OR STUCK ACCELERATOR RODS			BATTERY SECURE
GENERAL CONDITION OF "A"					LOOSE WHEEL BEARINGS
		STOP LIGHT WORKS			SPIN WHEELS FOR WOBBLE
		HEAD AND TAIL LIGHTS WORK			BENT BRAKE RODS
		WINDSHIELD CRACKS			INSPECT FOR EXHAUST LEAKS
		WINDSHIELD WIPER OPERATION			INSPECT BALL CAP FOR PROPER FIT, NUTS & PINS
		WIPER BLADE CONDITION			CHECK LOOSE BODY BOLTS (VERY COMMON!)
		CLUTCH PEDAL TRAVEL			TOO MUCH PLAY IN STEERING - 2 INCH MAX.
		BRAKE PEDAL TRAVEL			
		EMERGENCY BRAKE TRAVEL, 3 CLICKS TO STOP			
		SOUND HORN			
		GAS LEAK, GASOLINE SHUT-OFF VALVE			
		GASOLINE VAPOR SCREEN IN TANK			
		GASOLINE LEAK AROUND STEERING COLUMN			

