



# **STABLE EDGE**<sup>®</sup>

ALUMINUM PAVER RESTRAINT



For Keeping . . .



Concrete Pavers...



Clay Pavers...



Travertine Pavers...



or Natural Stone...

. . . In Place.

- Flexible
- Will Not Rust
- Durable
- Reversible

*Ideal Restraint for:*

- Entryways
- Walkways
- Pathways
- Patios
- Driveways
- Courtyards
- Cartpaths
- And more

**STABLE EDGE**® is made of an aerospace grade aluminum alloy that will never rust like steel or warp like plastic restraints.

*"We choose Stable Edge because it is versatile and durable and it works great for curves or straight runs."*

*- Jeff Rand*

*Rand Stoneworks,*

*flange installed*

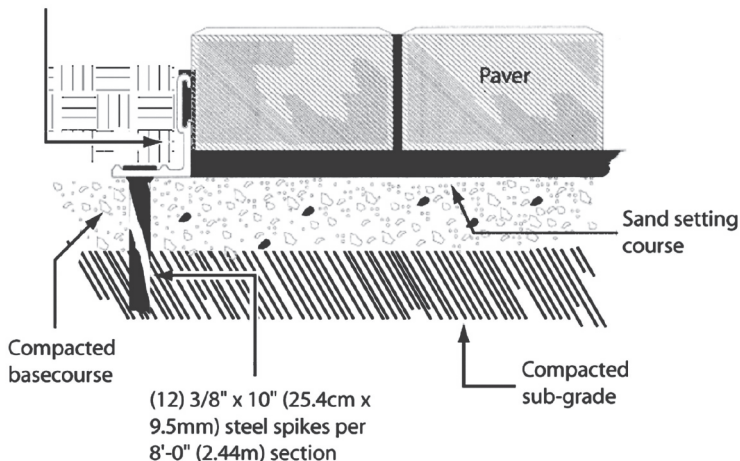
*under pavers*

Available in  
Mill Finish  
and Black

Curv-Rite®, Inc.  
Wayland, MI USA  
800-366-2878  
www.curv-rite.com

Curv-Rite Stable Edge  
 Aluminum Paver Restraint  
 1-800-366-2878

## 1.) Outside Paver Detail



### Check Desired Size:

- 1/8" x 1- 5/8" (3.2mm x 41mm)

### Check Desired Finish:

- Mill Finish** - natural aluminum.
- Deco-Black** - electrostatically applied baked on paint.

### Technical Notes:

1. Refer to manufacturer's installation instructions with this product from, Curv-Rite Wayland, MI 1-800-366-2878.
2. Connection between strips to utilize manufacturer's Unique interlocking splicer.
3. Do not scale drawing.
4. Curv-Rite Stable Edge as manufactured by Curv-Rite, Inc. Wayland, MI 1-800-366-2878, (269) 792-0044 (269) 792-8126.

### Technical Specifications:

Brick paver edging to be Stable Edge 1/8" x 1- 5/8" "L" shaped aluminum paver restraint in an 8' section as manufactured by Curv-Rite, Inc.; Wayland, MI 1-800-366-2878. Sections to be aluminum alloy 6063 with a T-6 hardness. A 3" aluminum splicer inserted 1 - 1/2" into each adjoining section shall be used to create an uninterrupted edging system that has a continuous support system on both sides of the vertical wall. Edging base shall have holes on 4" centers along length of section for receiving 3/8" x 10" spiral steel spikes. (specify quantity of spikes per section-up to 25 maximum) spikes shall be used per section.

### Edge Detail-Sand Set Paver Installation

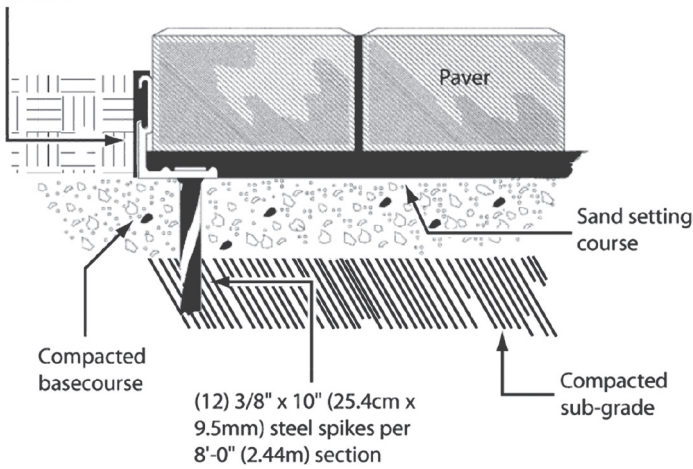
Curv-Rite® Stable Edge® Aluminum Paver Restraint

Copyright © 2010 Curv-Rite, Inc.

3603 North Main Street Wayland, MI  
 800-366-2878 www.curv-rite.com

Curv-Rite Stable Edge  
 Aluminum Paver Restraint  
 1-800-366-2878

1.) Under Paver Detail



**Check Desired Size:**

- 1/8" x 1- 5/8" (3.2mm x 41mm)

**Check Desired Finish:**

- Mill Finish** - natural aluminum.
- Deco-Black** - electrostatically applied baked on paint.

**Technical Notes:**

1. Refer to manufacturer's installation instructions with this product from, Curv-Rite Wayland, MI 1-800-366-2878.
2. Connection between strips to utilize manufacturer's unique interlocking splicer.
3. Do not scale drawing.
4. Curv-Rite Stable Edge as manufactured by Curv-Rite, Inc. Wayland, MI 1-800-366-2878, (269) 792-0044 (269) 792-8126.

**Technical Specifications:**

Brick paver edging to be Stable Edge 1/8" x 1- 5/8" "L" shaped aluminum paver restraint in an 8' section as manufactured by Curv-Rite, Inc.; Wayland, MI 1-800-366-2878. Sections to be aluminum alloy 6063 with a T-6 hardness. A 3" aluminum splicer inserted 1 - 1/2" into each adjoining section shall be used to create an uninterrupted edging system that has a continuous support system on both sides of the vertical wall. Edging base shall have holes on 4" centers along length of section for receiving 3/8" x 10" spiral steel spikes. (specify quantity of spikes per section-up to 25 maximum) spikes shall be used per section.

**Edge Detail-Sand Set Paver Installation**

Curv-Rite® Stable Edge® Aluminum Paver Restraint

Copyright © 2010 Curv-Rite, Inc.