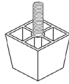
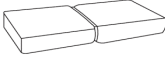
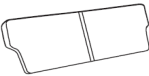
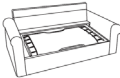
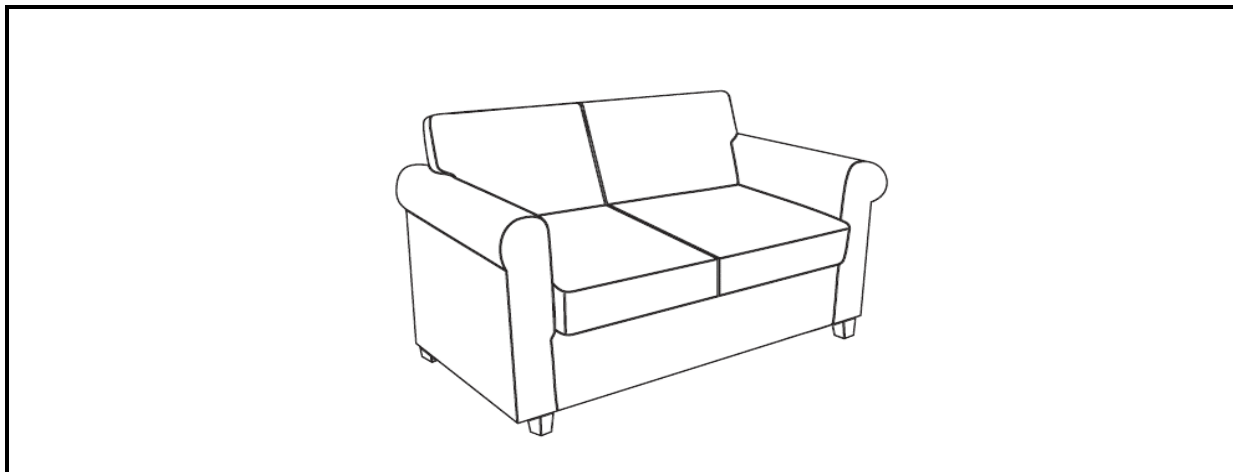


Devin Sofa Sleeper

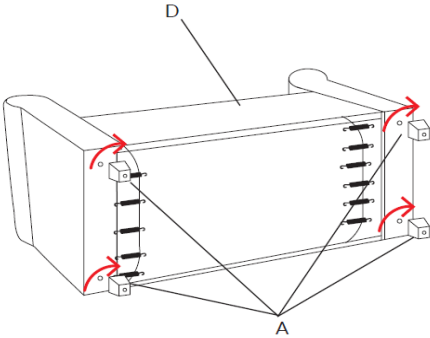
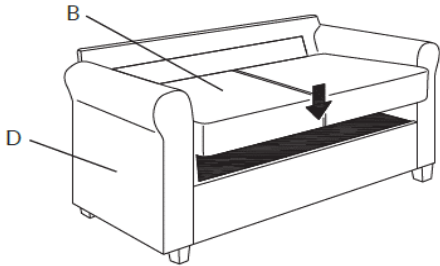
Avoid using sharp objects such as a knife to cut open packing as you may accidentally damage the upholstery.

PARTS LIST			
ITEM	DESCRIPTION	SKETCH	QUANTITY
A	Sofa Leg		4
B	Seat Cushions		1
C	Backrest Cushions		1
D	Sofa Body		1



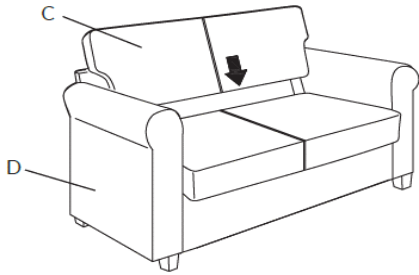
ASSEMBLY INSTRUCTIONS

Do not fully tighten bolts until assembly is complete.

STEP 1	STEP 2
<p>Attach Legs (A) to Sofa Body (D) by inserting the Threaded</p> 	<p>Place Seat Cushion (B) onto Sofa Body (D).</p> 

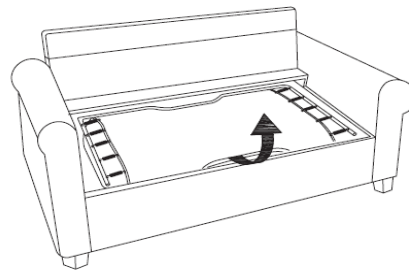
STEP 3

Place Backrest Cushion (C) onto Sofa Body (D).



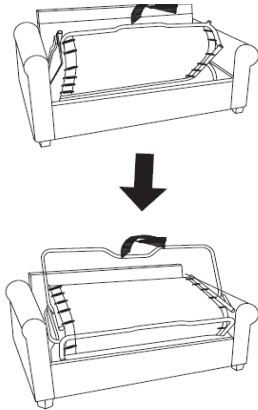
STEP 4

Remove the Seat Cushion and Backrest Cushion.



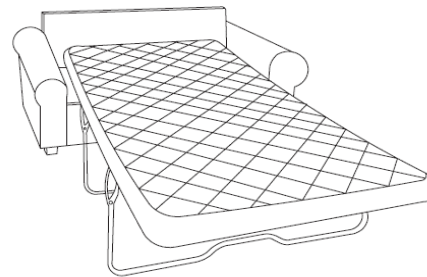
STEP 5

Grab the Handle and pull towards yourself to unfold.



STEP 6

Place the Mattress on pull out, the Sleeper is now ready to use.



CLEANING INSTRUCTIONS: Clean with a soft cloth, brush or lightly vacuum

ADULT ASSEMBLY REQUIRED

If you are missing any parts or have any questions regarding assembly, do not return this item to the retailers store. Please call our toll-free, customer service number and have this assembly manual open to the parts list ready to provide the model name, number and part name or number.



Customer Service

1-877-864-5752
8:30 AM PST - 4:00 PM PST (Monday-Friday)
Website: www.dwellhom.com
Missing Parts: parts@dwellhom.com
Warranty Information: www.dwellhom.com/warranty