

4

Installing your Ionizer



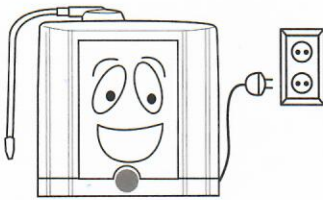
Warning



Do not place anything on top of this product.
Do not pass hot water through the ionizer.
Do not install the product in places with the conditions listed below.

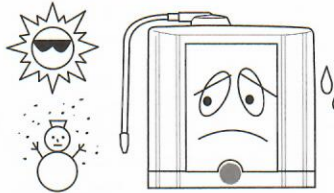
Precautions for installation

Check the voltage prior to connecting power.



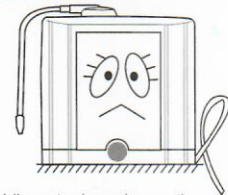
Please double check the power requirements.

Do not install in places with direct sunlight or below-freezing temperatures.



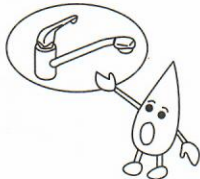
The housing case may become deformed or damaged under freezing temperatures. Do not use or keep in places with heat or high humidity.

Precautions for connecting acidic ionized water hose:



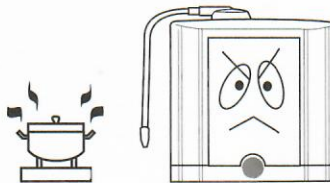
Install acidic water hose lower than the main body of the product. An excessively long or high-positioned hose may affect ionized water and alter the taste of the water.

Connect the product to the cold water pipe (connection to the hot water pipe may result in damage to the purification filter and/or electrolytic bath).



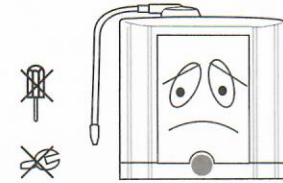
Filter life may be shortened.

Avoid direct contact with heat or fire.



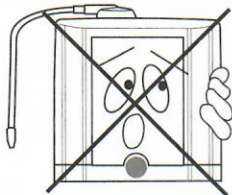
Modifying the ionizer housing case may result in water leakage.

Do not attempt to modify the machine.



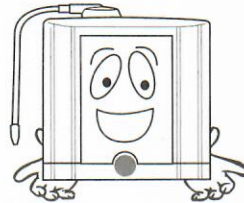
Machine malfunction or injury may result.

Do not lift the product while holding the filter covers or the hoses.



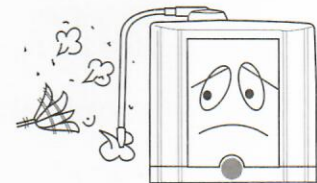
Doing so may separate the filter cover from the main unit and cause ionizer damage or physical injury.

Move the product holding the bottom plate of the main body.



It is safe to move the product holding the bottom plate.

Avoid use of the product in places with high humidity or excessive dust.



Machine malfunction or injury may result from doing so.



Warning



Dropping the ionizer may result in internal damage from impact, and electric shock may result. If this occurs, contact your distributing company for product inspection. Use of the product in cold places during winter may result in purification filter damage, due to freezing. Remove the filters, put them in plastic bags in the fridge, in case the ionizer isn't being used for a while.



Caution



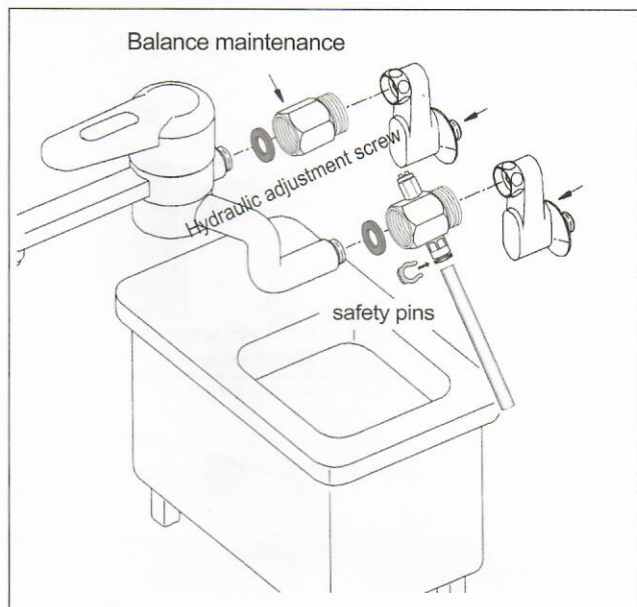
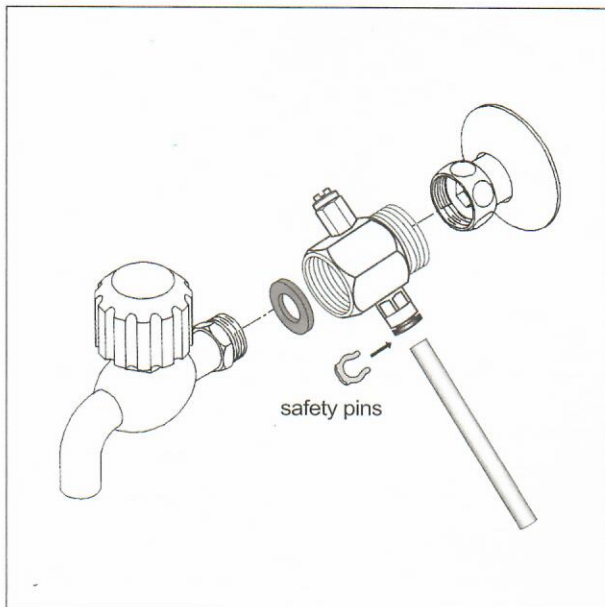
- Check whether the components to be installed at the water tap are appropriate.
- Should use the standard hose (1/4"), supplied by the company for the connection. Use the one-touch adapter to fasten the hose before fixing the safety pin as illustrated in Page 3.
 - If the standard hose is not used, damage due to water pressure can be caused, possibly leading to water leakage



- Do not connect the product to a warm water pipe.
 - Degradation of purification capacity and malfunctioning can be caused.

■ How to install

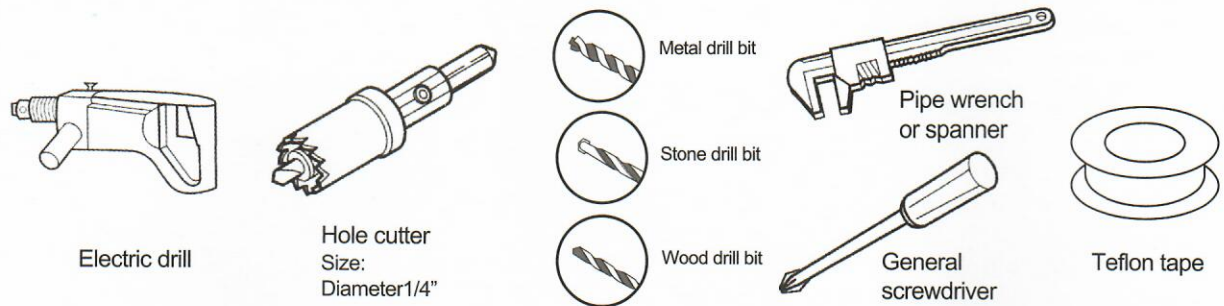
1. Wall mounted water tap



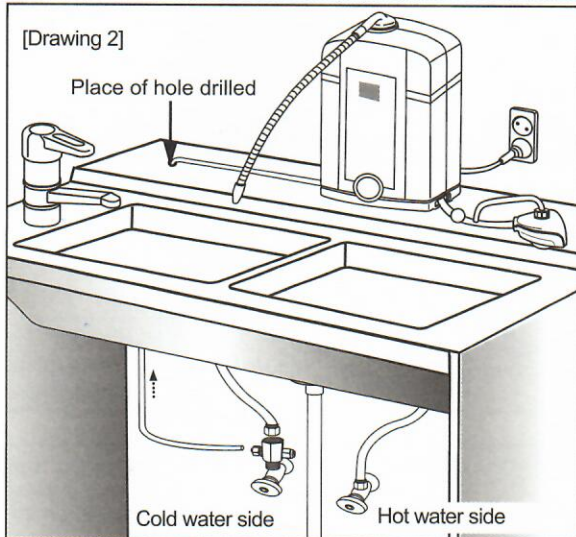
1. Disconnect the water tap from the water pipe.
 2. Rotating the adapter into the water pipe. (Single-water tap)
 3. Assemble the water tap back into the adapter. (Single-water tap)
 4. Install the standard compliant adapter Included (Select between large and medium, small, 3/8") between the water pipe and the water branch pipe. Then install the adapter which needs to be connected to the water ionizer to the cold water pipe, while connecting the balancing adapter to the warm water pipe. (Water taps for cold and warm water)
 5. Place the rubber gaskets between the water pipes, water tap, and adapter, and should apply the Teflon tape to the connection parts to assemble them.
 6. Insert the inlet hose into the one-touch fitting installed to the adapter and then fasten the safety pin.
 7. Adjust the water pressure control screw to a appropriate level.
(Alkaline water flow standard: 1.5 ± 0.5 ℓ /min)
- ※ Should use the standard inlet hose (1/4") and fix the valve cover in the direction of the hose to prevent the hose from being bent or the fastening nut from being loosened.

2. Deck type sink mounted water tap

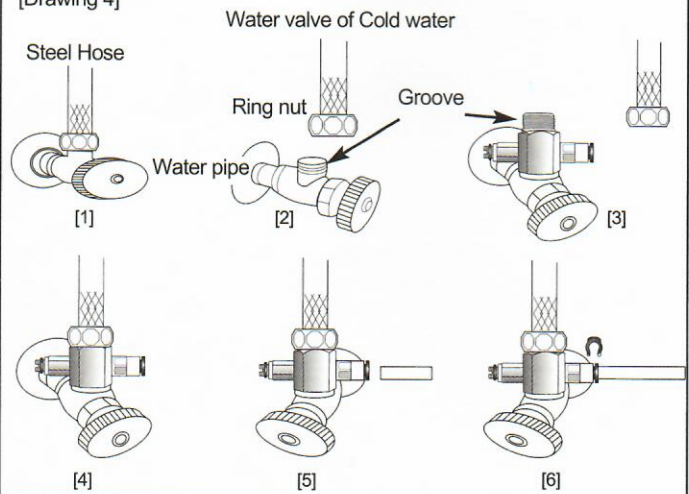
[Drawing 1]



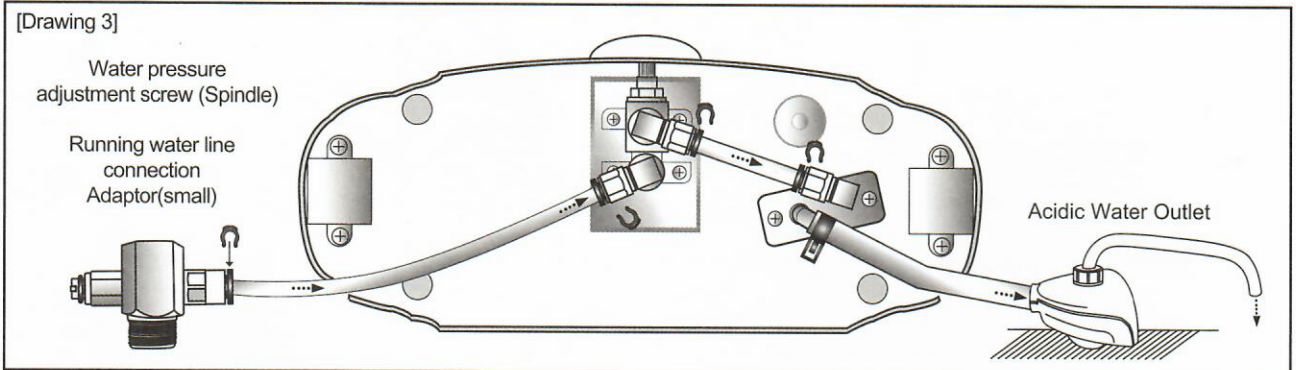
[Drawing 2]



[Drawing 4]



[Drawing 3]



1. Prepare the tools for installation as drawing : Electric drill, Hole cutter, Pipe wrench or spanner, General screwdriver, Teflon tape 1pc (Drawing 1.)

2. Turn off the water valves before installation under the sinkdeck.

3. Disconnect the water tap from the cold water pipe.

4. Drill a hole for the 1/4" hose appropriate place somewhere in sinkdeck and make the connection to the inlet of the product

5. Find the cold water pipe inside the sink deck and connect the adaptor to the cold water pipe (Drawing 2.)

6. Connect the standard connection hose (1/4") to the adapter installed with one touch fitting of union. (Drawing 3~4)

Insert the inlet hose deepest into the one touch fitting and insert the safety pin as in drawing.

(Pls check if the hose has been securely fitted to the end of one touch fitting. if not, it causes water leakage for water pressure)

7. After the connection, adjust the water pressure control screw to an appropriate level

(Alkaline water flow standard 1.5 ± 0.5 l / min)

8. Check any possible water leakage at the connection parts after the installation

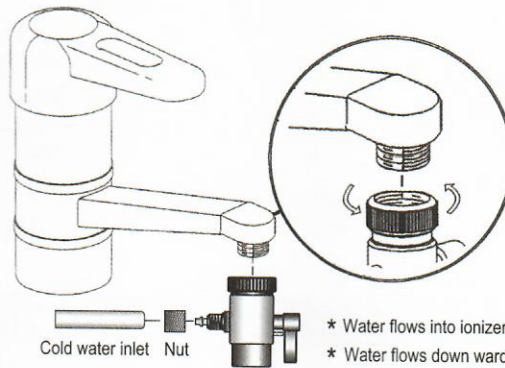


■ Should use the standard inlet hose (1/4") and fix the valve cover in the direction of the hose to prevent the hose from being bent or fastening nut from being loosened.

3. Water Supply Control Valve

How to assemble the valve to the faucet

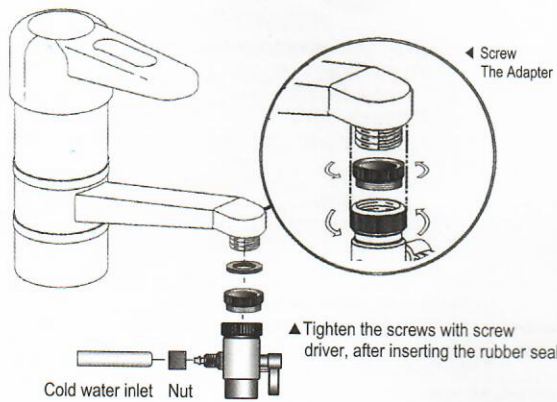
Assembly method of valve for Deck-sink water tap



▲ Take the little screen out

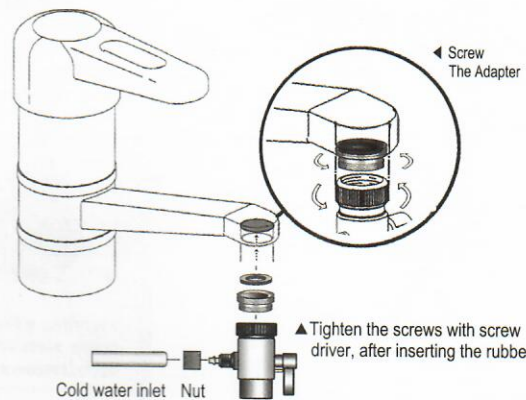
▲ Tighten the screws with screw driver, after inserting the rubber seal

- * Water flows into ionizer when the lever is turned to side
- * Water flows down ward when the lever is turned to down



◀ Screw The Adapter

▲ Tighten the screws with screw driver, after inserting the rubber seal

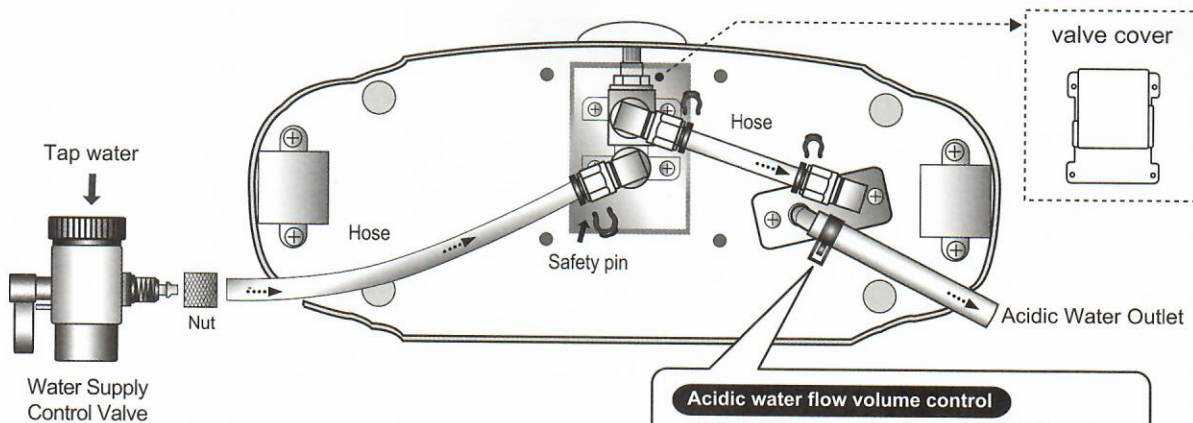


◀ Screw The Adapter

▲ Tighten the screws with screw driver, after inserting the rubber seal

4. Hose Connected Method

After finishing of connection, assemble the valve cover with screws completely



Acidic water flow volume control

Using the flat screwdriver, adjust Acidic water flow volume
Acidic water outlet

