



**MANUFACTURING
GROUND SUPPORT
EQUIPMENT
CATALOG**

Updated March 2024

KG MANUFACTURING LLC.

601 E. ANTLER AVE STE. 124, REDMOND, OR 97756

1-541-548-4369 OFFICE

WWW.KGMANUFACTURINGLLC.COM

5-10 BULK CARGO AFT.....	7
Model # 010-BOE-AFT-5-10.....	7
OVERVIEW DRAWINGS	8
5-10 DOG LEG	9
Model # 011-BOE-5-10-DL.....	9
OVERVIEW DRAWINGS	10
5-10 SEC 48	11
Model # 011-BOE-SEC. 48-5-10	11
OVERVIEW DRAWINGS	12
6-12 AFT	13
Model # 010-BOE-6-12-AFT.....	13
OVERVIEW DRAWINGS	14
6-12 AFT BULK CARGO 84 TB	15
Model # 015-84-BULK CARGO-6-12	15
OVERVIEW DRAWINGS	16
6-12 AFT BULK CARGO 112.....	17
Model # 022-112-BULK CARGO-1-12	17
OVERVIEW DRAWINGS	18
6-12 AFT BULK CARGO 60 X 108 PLATFORM W/ TB.....	19
Model # 019-108X60-CAGO-6-12.....	19
OVERVIEW DRAWINGS	20
6-12 NARROW SEC 48.....	21
Model # 020-BOE-SEC. 48-6-12-NARROW	21
OVERVIEW DRAWINGS	22
6-12 NARROW SEC. 48 LH	23
Model # 023-BOE-SEC. 48-6-12-NARROW LH.....	23
OVERVIEW DRAWINGS	24
6-12 PARA	25
Model # 010-BOE-6-12-PARA.....	25
OVERVIEW DRAWINGS	26
6-12 PERP ALUMINUM.....	28

Model # 010-BOE-6-12-PERP-AL	28
OVERVIEW DRAWINGS	29
6-12 PERP STEEL	30
Model # 010-BOE-6-12-PERP	30
OVERVIEW DRAWINGS	31
6-12 SEC. 48	34
Model # 011-BOE-SEC. 48 6-12	34
OVERVIEW DRAWINGS	35
7.5-11.5 ALUMIUM PERP	37
Model # 016-BOE-AL-PERP-7.5-11.5	37
OVERVIEW DRAWINGS	38
7-16 AFT	39
Model # 010-BOE-AFT-7-16	39
OVERVIEW DRAWINGS	40
7-16 PARA	41
Model # 016-BOE-7-16-PARA	41
OVERVIEW DRAWINGS	42
9-15 SEC. 48	43
Model # 010-BOE-SEC.48 9-15	43
OVERVIEW DRAWINGS	44
9-15 MOD SEC. 48	45
Model # 018-BOE-SEC. 48-9-15 MOD	45
OVERVIEW DRAWINGS	46
737 WINDSHIELD	47
Model # 015-BOE-737-WINDSHIELD	47
OVERVIEW DRAWINGS	48
E119 BASE	50
Model # E119-Base	50
OVERVIEW DRAWINGS	51
E119 STANDARD	52
Model # E119-Standard	52

OVERVIEW DRAWINGS	53
E119-GSE100 EXTERIOR	54
Model # E119-GSE100 Exterior	54
OVERVIEW DRAWINGS	55
E119-RS120 EXTERIOR	57
Model # E119-RS120 Exterior	57
OVERVIEW DRAWINGS	58
737 ENGINE RUN FENCE	59
Model # 015-BOE-737MAX-ERF	59
OVERVIEW DRAWINGS	60
747 PAX	61
Model # 011-BOE-747-PAX	61
OVERVIEW DRAWINGS	62
747 PAX GSE 100EX	64
Model # 011-BOE-747-PAX-GSE-100EX	64
OVERVIEW DRAWINGS	65
747 RADOME	66
Model # 013-BOE-747-RADOME	66
OVERVIEW DRAWINGS	67
757 SENSOR WING STAND	69
Model # 757 FTB SENSOR WING STAND	69
OVERVIEW DRAWINGS	70
767 BDS TANKER FWD-ENTRY	73
Model # 014-BOE-767-FWD-ENTRY	73
OVERVIEW DRAWINGS	74
767 BDS FWD CARGO	75
Model # 014-BOE-767-FWD-CARGO	75
OVERVIEW DRAWINGS	76
767 RADOME	77
Model # 012-BOE-767-Radome	77
OVERVIEW DRAWINGS	78

767 WINGTIP REPLACEMENT STAND	81
Model # 010-BOE-WTS-AL	81
OVERVIEW DRAWINGS	82
777 WINDSHEILD	84
Model # 015-BOE-777-WINDSHIELD	84
OVERVIEW DRAWINGS	85
87 FIXED	86
Model # 013-BOE-87-FIXED	86
OVERVIEW DRAWINGS	87
787 CARGO FIXED STAND	89
Model # 013-BOE-151-FIXED	89
OVERVIEW DRAWINGS	90
787 EXTERIOR TALL	91
Model # 016-BOE-787-EXT	91
OVERVIEW DRAWINGS	92
787 MDC	93
Model # GSE-BOE-MDC-787	93
OVERVIEW DRAWINGS	94
787 WINDSHIELD	96
Model # 011-BOE-787-WINDSHIELD	96
OVERVIEW DRAWINGS	97
787 APU SHORT 16FT	100
Model # 010-BOE-APU-787-9.5-15.5	100
OVERVIEW DRAWINGS	101
787APU TALL 19FT	103
Model # 010-BOE-APU-787-13-19	103
OVERVIEW DRAWINGS	104
787 EXTERIOR	106
Model # 085-BOE-787-EXT	106
OVERVIEW DRAWINGS	107
787 INTERIOR ADDED ELECTRIC	108

Model # 010-JOB-BOE-787-013-E.....	108
OVERVIEW DRAWINGS	109
787 INTERIOR.....	112
Model # 010-JOB-BOE-787-013.....	112
OVERVIEW DRAWINGS	113
787 EXTERIOR 13.1-19.5.....	114
Model # 016-BOE-787-EXT 13.1-19.5.....	114
OVERVIEW DRAWINGS	115
787 RADOME	116
Model # 011-BOE-787-Radome	116
OVERVIEW DRAWINGS	117
WINDSHIELD GAP CLOSE-OUT	118
Model # 024-006-001 Windshield Stand	118
OVERVIEW DRAWINGS	119
OVERWING	121
Model # 010-BOE-OVERWING	121
OVERVIEW DRAWINGS	122
RAIL CAR SCAFFOLD	124
Model # Rail Car Scaffold	124
OVERVIEW DRAWINGS	125
ADJUSTABLE TRUCK LADDER.....	126
Model # GSE-BOE-6.7-10-HYDRO.....	126
OVERVIEW DRAWINGS	127
787 WEATHER ENCLOSURE PART NO: 022-001-003.....	129
OVERVIEW DRAWINGS	130
E119 WEATHER ENCLOSURE PART NO: CRF-BOE-007-001-001	132
OVERVIEW DRAWINGS	133
747 PAX EXTENDED WEATHER ENCLOSURE PART NO: 99-0554.....	134
OVERVIEW DRAWINGS	135
REMOVABLE TOW BAR	137
OVERVIEW DRAWINGS	137

TOW BAR WELDMENT WITH PIN	138
OVERVIEW DRAWINGS	138
WELDMENT TO FRAME OF LOWER ASSEMBLY TOW BAR	139
OVERVIEW DRAWINGS	139
EXTENSION LADDER PART NO: 99-0157	140
OVERVIEW DRAWINGS	140
FIXED HEIGHT LADDER PART NO: 025-005-005	141
OVERVIEW DRAWINGS	141
BOEING PROPRIETARY STANDS	142
ENGINE RUN SCREEN.....	142
Model # Engine Run Screen	142
OVERVIEW DRAWINGS	143
757 SENSOR WING STAND	146
Model # 757-Sensor Wing Stand-Left.....	146
Model # 757-Sensor Wing Stand-Right.....	146
OVERVIEW DRAWINGS	147

Property Of: KG Manufacturing LLC
 Redmond Oregon

CASCADE GSE

A division of

KG MANUFACTURING LLC.

5-10 BULK CARGO AFT

Model # 010-BOE-AFT-5-10

SERVICE STAIRS

**Photo
To
Come**

- 1000 Lb. Deck Capacity
- Swivel Casters in rear
- Solid Tires in Front
- 4 qty 7000K down locks (1 in each corner)
- Adjustable sides with radius on the front
- Air Supply with 2 couplers at the platform
- Push rails mounted on the base
- Non-Marking Tires and Casters

**MODEL
NUMBER**

010-BOE-AFT-5-10

**PLATFORM
HEIGHT**

5' to 10'

**PLATFORM
SIZE**

Drawings to come

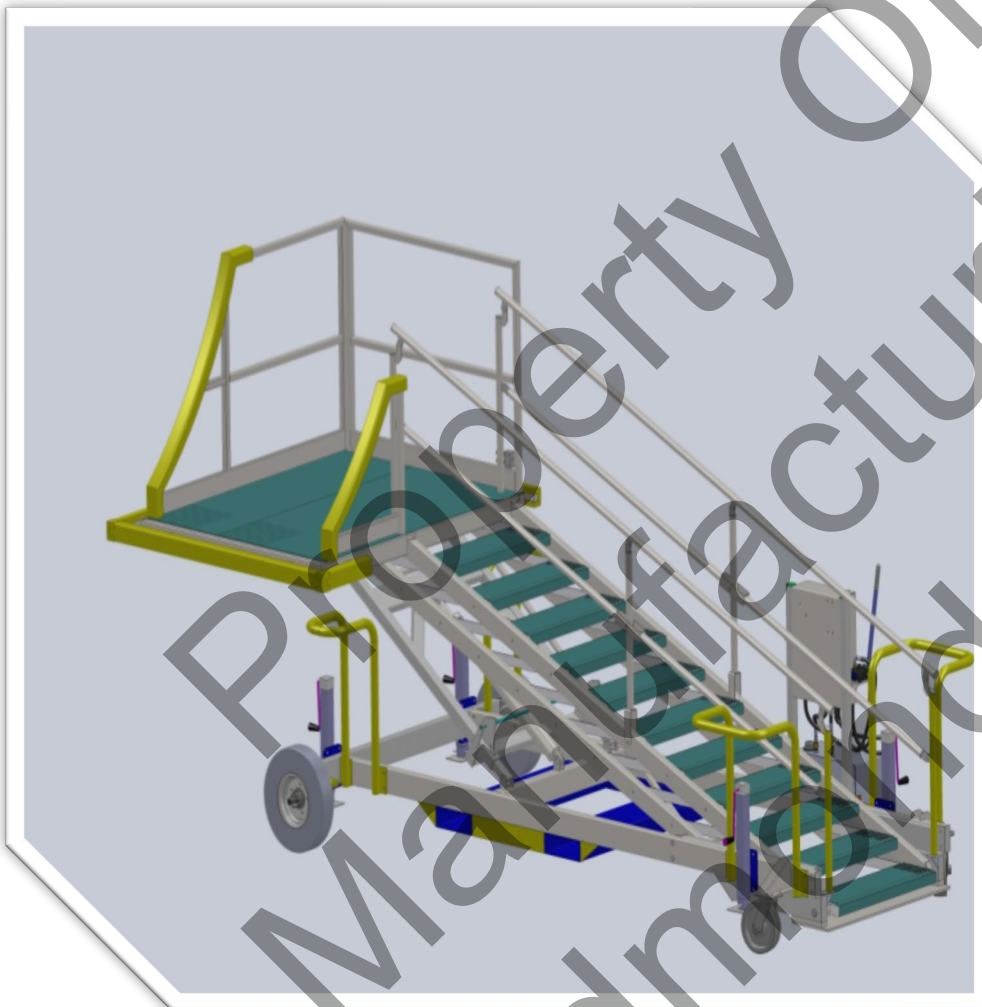
KG Property Of.
Redmond Manufacturing LLC
Redmond Oregon

CASCADE GSE

A division of

KG MANUFACTURING LLC.

5-10 DOG LEG
Model # 011-BOE-5-10-DL
Service Stair



- 1000 Lb. Deck Capacity
- All Steel and Aluminum Construction
- 4 Leveling/Stabilizing Jacks
- 6.9X9 Solid Tires on the Plane End
- Swivel Caster in Rear
- Fork Lift Pockets
- Non-Marking Bumpers
- Grip Strut Safety Grating on Stairs
- Top Platform Alum. Traction Tread
- Push Bars Front and Rear

MODEL NUMBER

011-BOE-5-10-DL

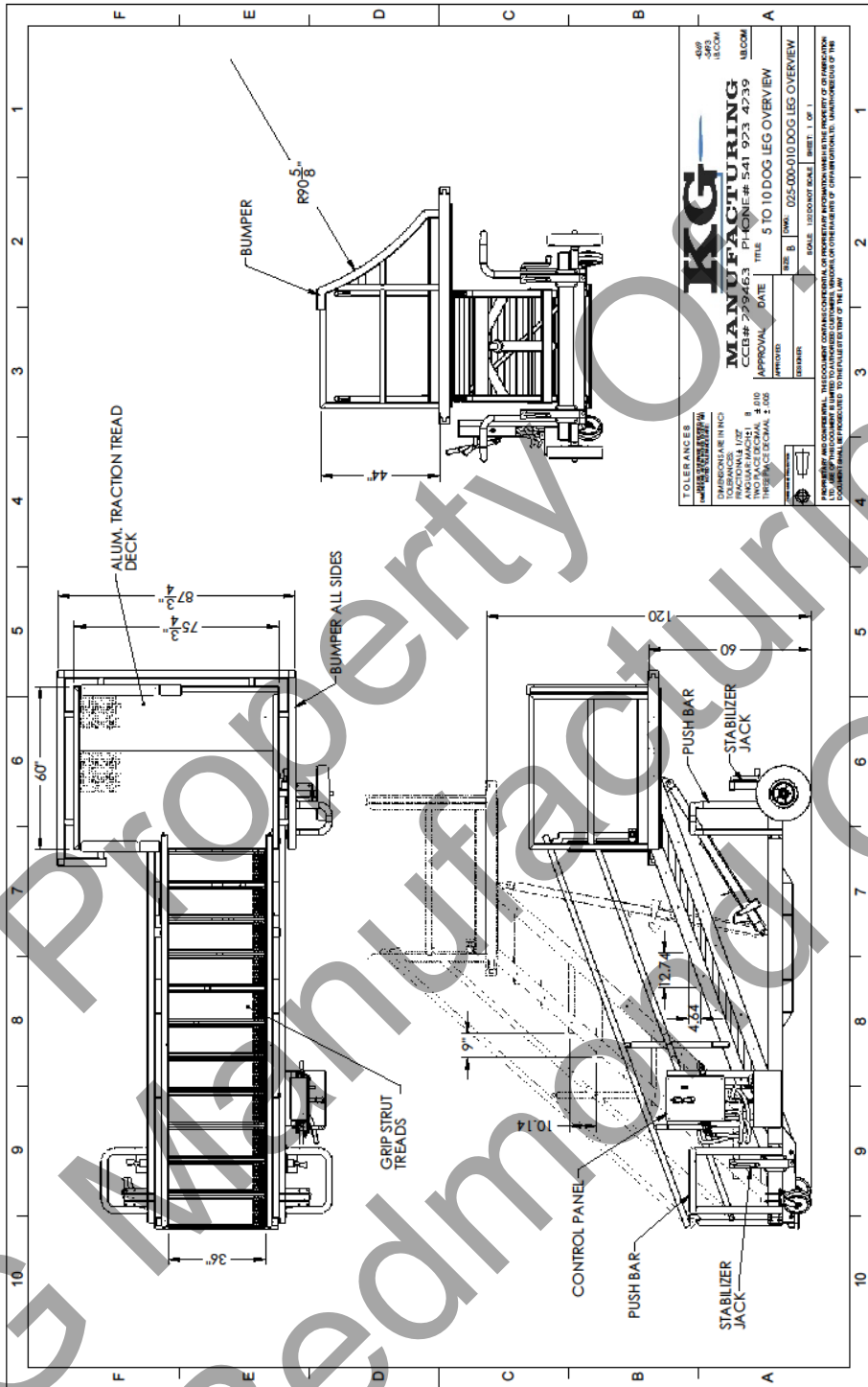
PLATFORM HEIGHT

5' to 10'

PLATFORM SIZE

6'-4" X 5'

OVERVIEW DRAWINGS



CASCADE GSE

A division of

KG MANUFACTURING LLC.

5-10 SEC 48

Model # 011-BOE-SEC. 48-5-10

Service Stair



- 1000 Lb. Deck Capacity
- All Steel and Aluminum Construction
- 4 Leveling/Stabilizing Jacks
- 6.9X9 Solid Tires on the Plane End
- Swivel Caster in Rear
- Fork Lift Pockets
- Non-Marking Bumpers
- Ladder Available in Fixed or Telescopic Construction
- Grip Strut Safety Grating on Stairs
- Top Platform Alum. Traction Tread
- Push Bars Front and Rear
- Also available with Tow Bar (see page 140 for Tow Bar info)
- Air Supply at working platform

MODEL NUMBER

011-BOE-SEC. 48-5-10

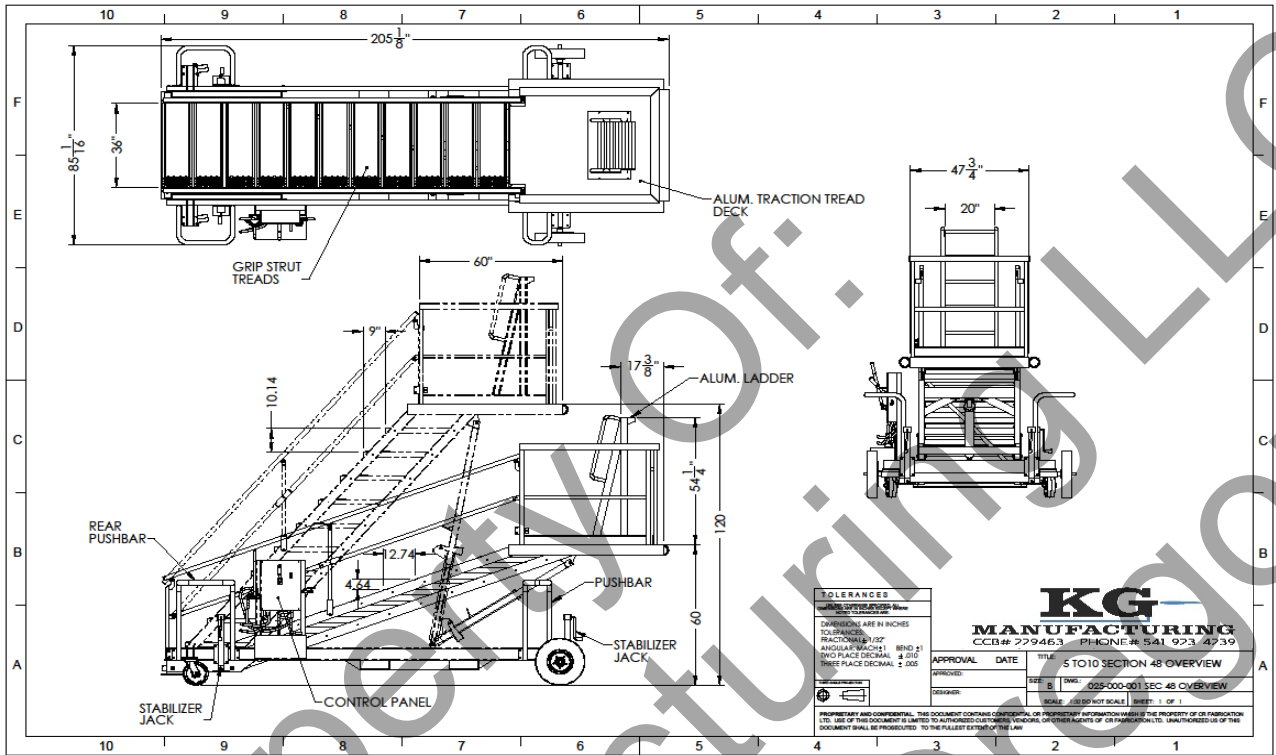
PLATFORM HEIGHT

5' to 10'

PLATFORM SIZE

4' X 5'

OVERVIEW DRAWINGS



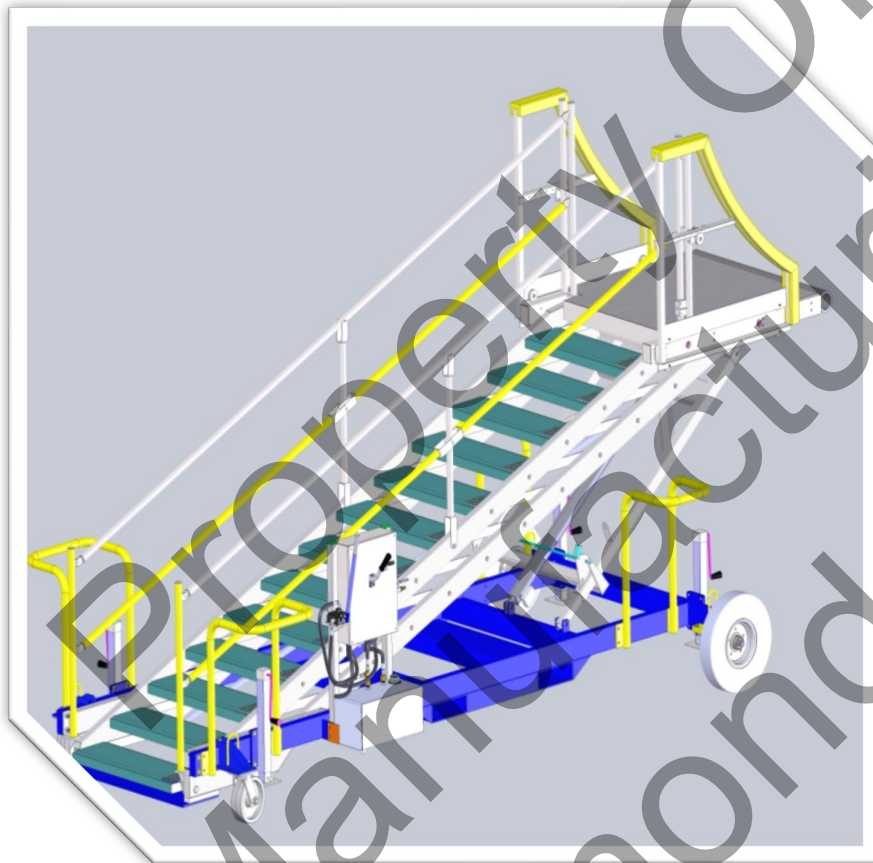
CASCADE GSE

A division of

KG MANUFACTURING LLC.

6-12 AFT

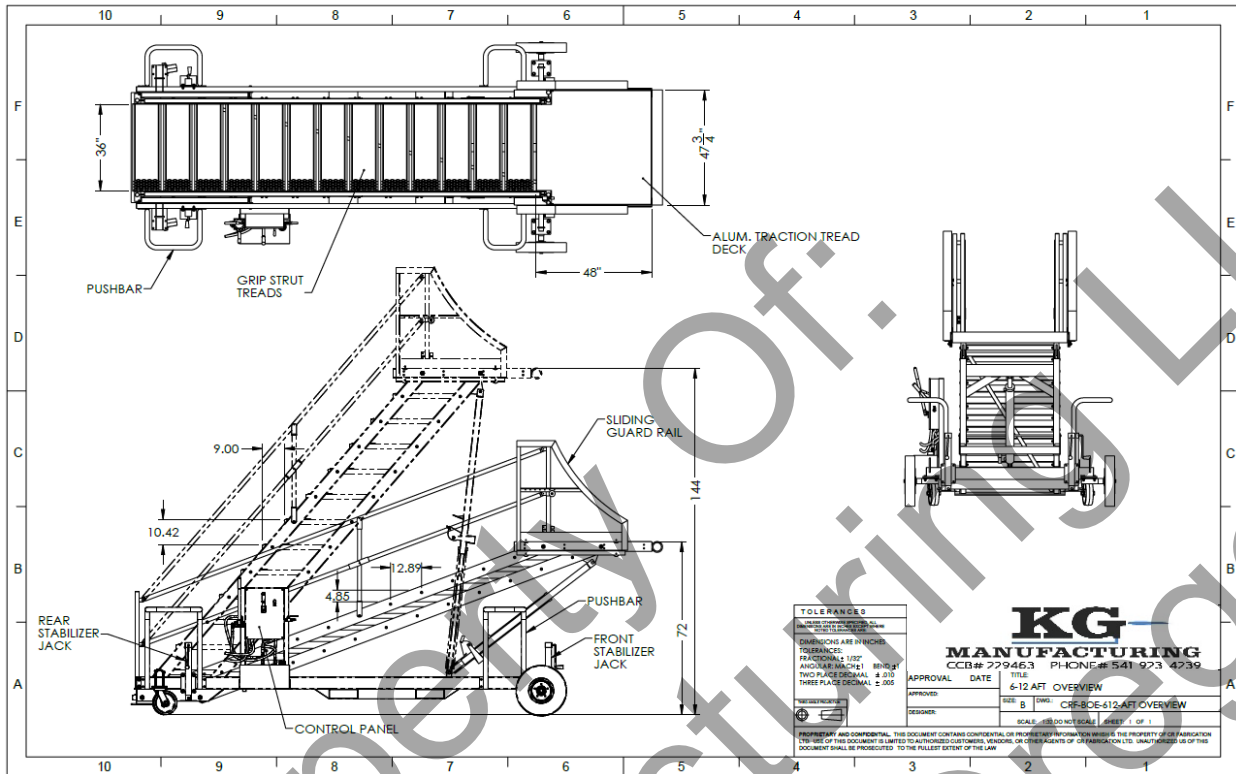
Model # 010-BOE-6-12-AFT
Service Stair



- 1000 Lb. Deck Capacity
- All Steel and Aluminum Construction
- 4 Leveling/Stabilizing Jacks
- Swivel Casters in Rear
- 6.9X9 Solid Tires on the Plane End
- Fork Lift Pockets
- Non-Marking Tires
- Grip Strut Safety Grating on Stairs
- Top Platform Alum. Traction Tread
- Push Bars Front and Rear
- Air Supply at the work platform
- Tow Bars

MODEL NUMBER	PLATFORM HEIGHT	PLATFORM SIZE
010-BOE-6-12-AFT	6' to 12'	4' X 4'

OVERVIEW DRAWINGS



CASCADE GSE

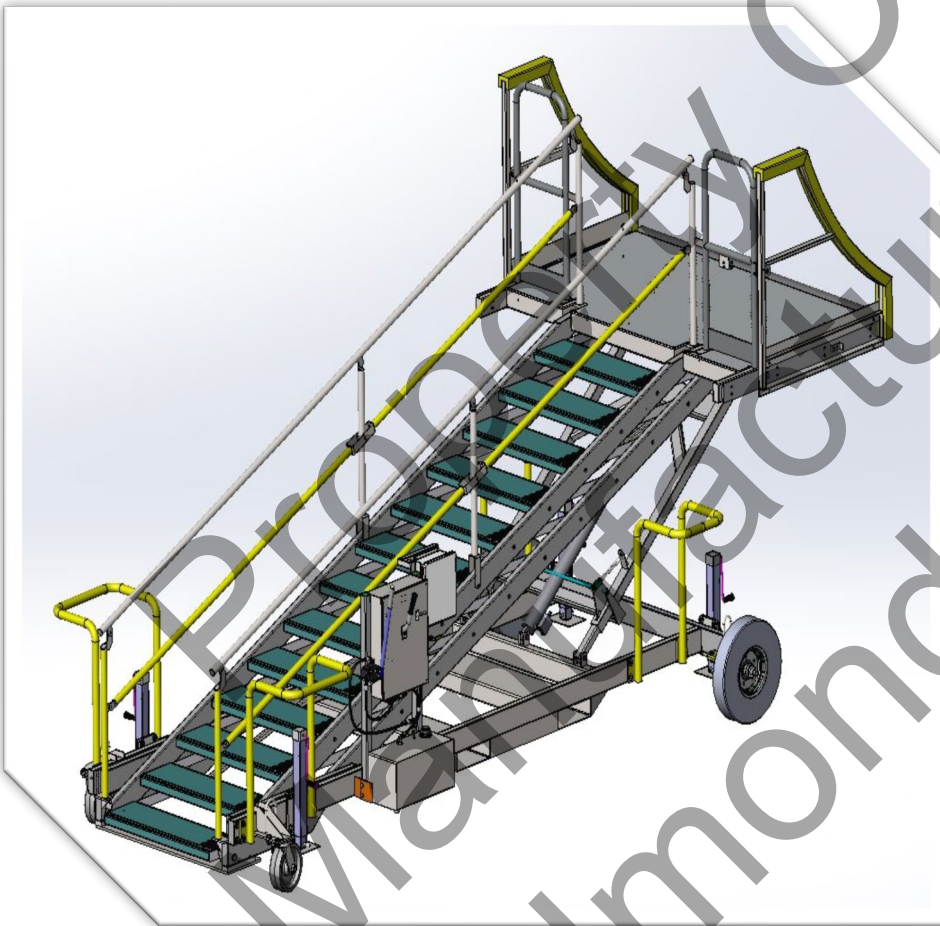
A division of

KG MANUFACTURING LLC.

6-12 AFT BULK CARGO 84 TB

Model # 015-84-BULK CARGO-6-12

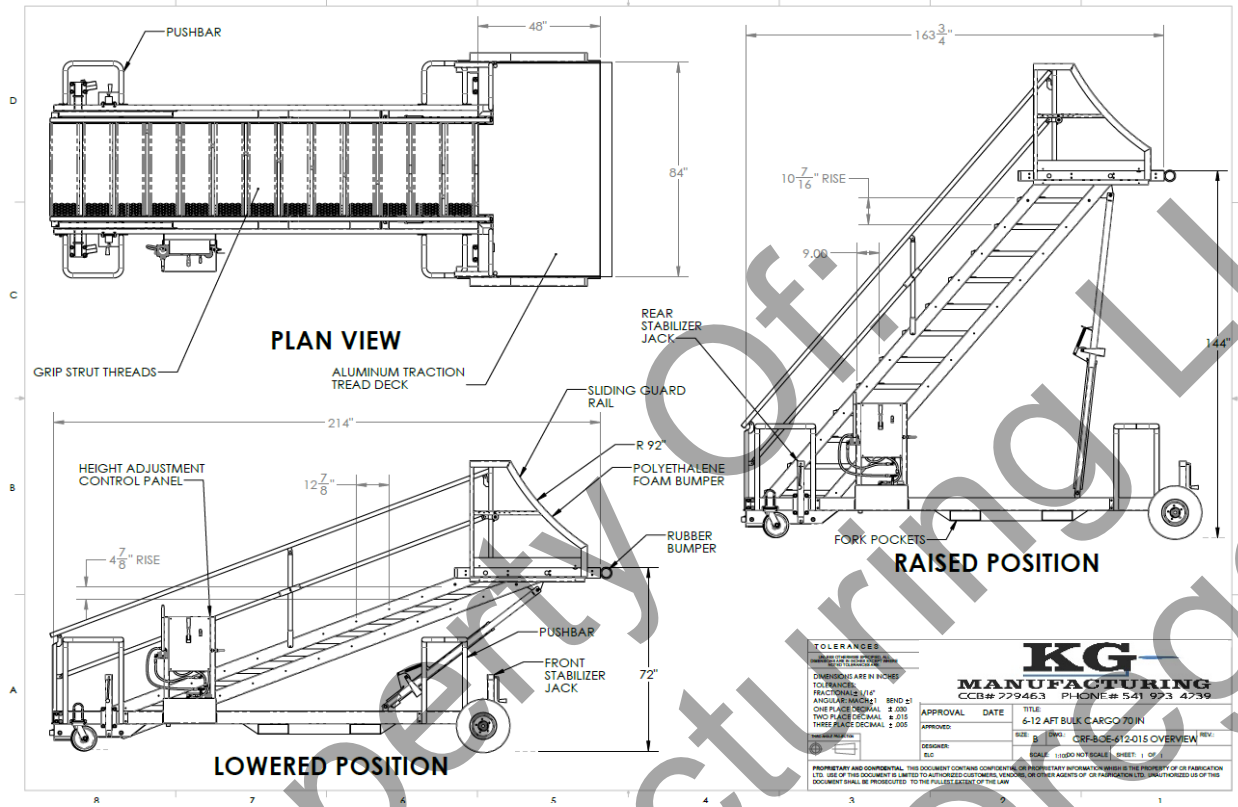
Service Stair



- 1000 Lb. Deck Capacity
- Steel and Aluminum Construction
- 4 Leveling/Stabilizing Jacks
- Swivel Casters in Rear
- 6.9X9 Solid Tires on the Plane End
- Fork Lift Pockets
- Non-Marking Pockets
- Grip Strut Safety Grating on Stairs
- Top Platform Alum. Traction Tread
- Push Bars Front and Rear
- Air over Hydraulic Platform Adjustment

MODEL NUMBER	PLATFORM HEIGHT	PLATFORM SIZE
015-84-BULK CARGO-6-12	6' to 12'	4' X 7'

OVERVIEW DRAWINGS



CASCADE GSE

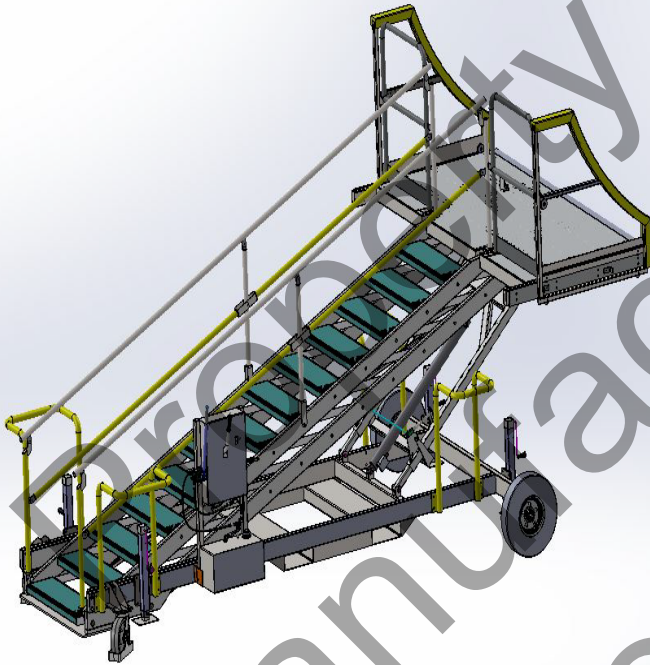
A division of

KG MANUFACTURING LLC.

6-12 AFT BULK CARGO 112

Model # 022-112-BULK CARGO-1-12

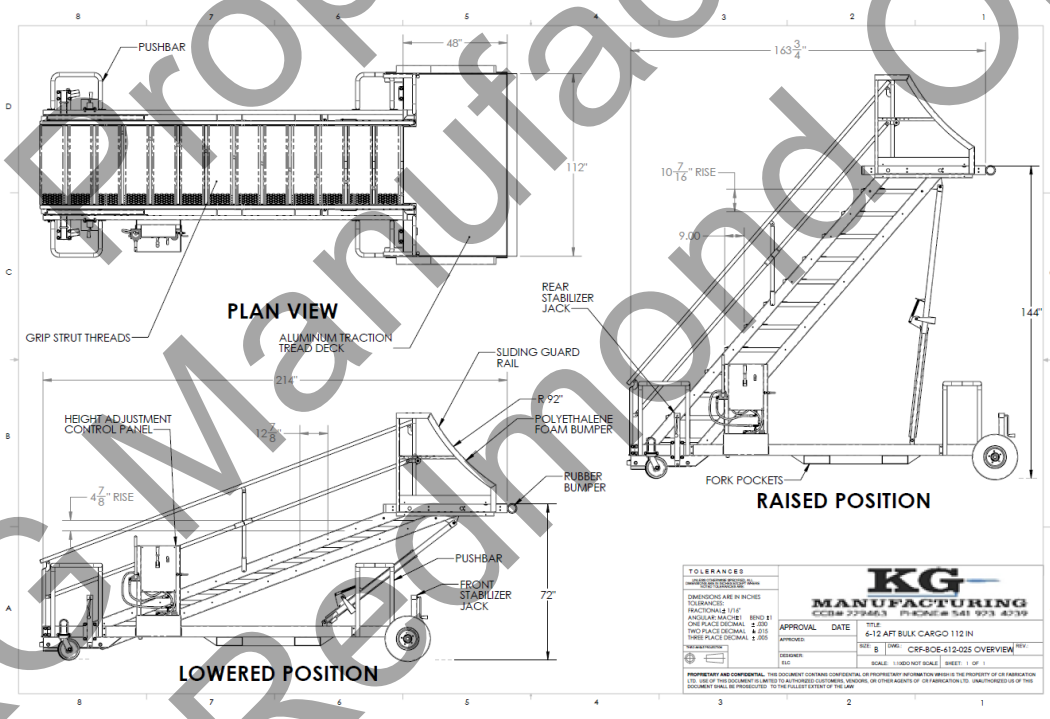
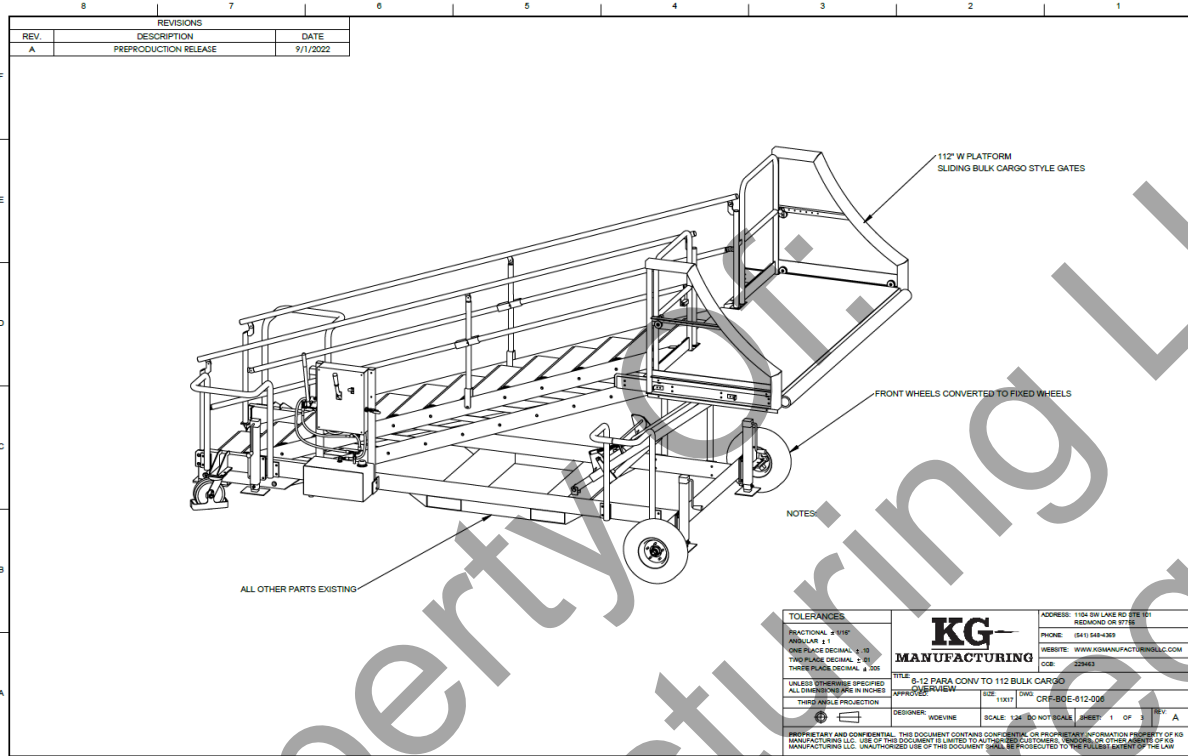
Service Stair



- 1000 Lb. Deck Capacity
- Steel and Aluminum Construction
- Air/Hydraulic Platform Adjustment
- Safety Locks
- 4 Leveling/Stabilizing Jacks
- Adjustable Platform Rails
- Polyurethane Foam Bumpers top of rails
- 10" Swivel Casters with Poly Tread on stair end
- Grip Strut Safety Grating on Stairs
- Top Platform – Alum Traction tread
- Fork Lift Pockets

MODEL NUMBER	PLATFORM HEIGHT	PLATFORM SIZE
022-112-BULK CARGO-1-12	6' – 12'	4' x 9'4"

OVERVIEW DRAWINGS



CASCADE GSE

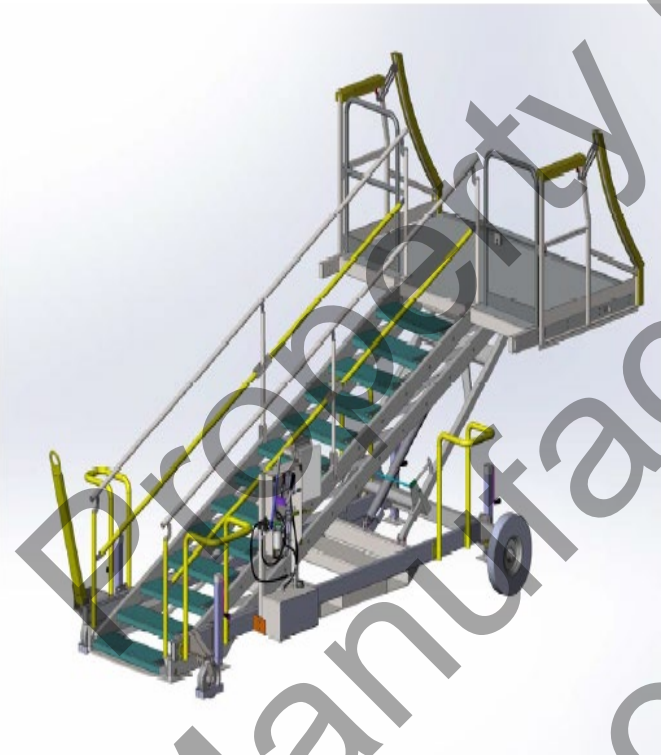
A division of

KG MANUFACTURING LLC.

6-12 AFT BULK CARGO 60 X 108 PLATFORM W/ TB

Model # 019-108X60-CAGO-6-12

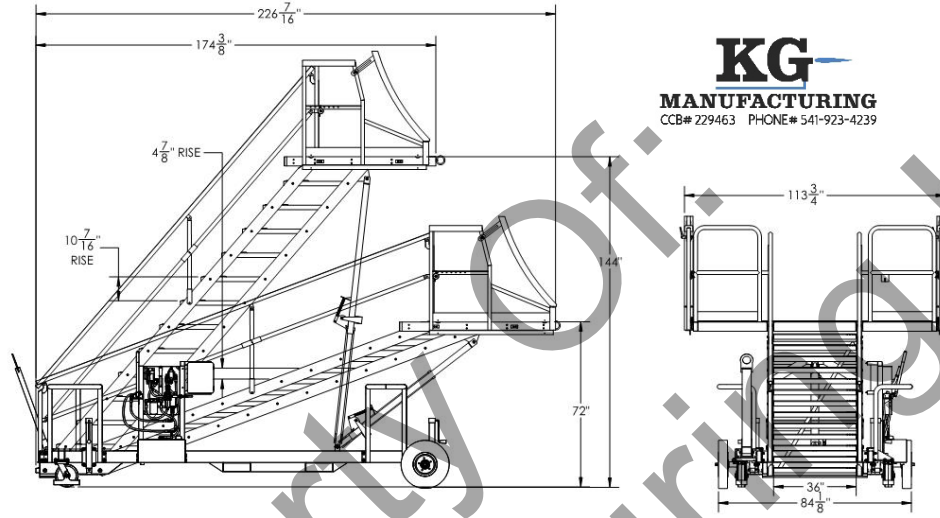
Service Stair



- 1000 Lb. Deck Capacity
- Steel and Aluminum Construction
- Air/Hydraulic Platform Adjustment
- Safety Locks
- 4 leveling/Stabilizing Jacks
- Adjustable Platform Rails
- Polyurethane Foam Bumpers top of rails pm stair end
- 6.9 x 9 Solid Tires on the plane end
- Grip Strut Safety Grating on Stairs
- Top Platform – Alum Traction Tread
- Fork Lift Pockets

MODEL NUMBER	PLATFORM HEIGHT	PLATFORM SIZE
019-108X60-CARGO-6-12	6' to 12'	8'11" x 4'9"

OVERVIEW DRAWINGS



CASCADE GSE

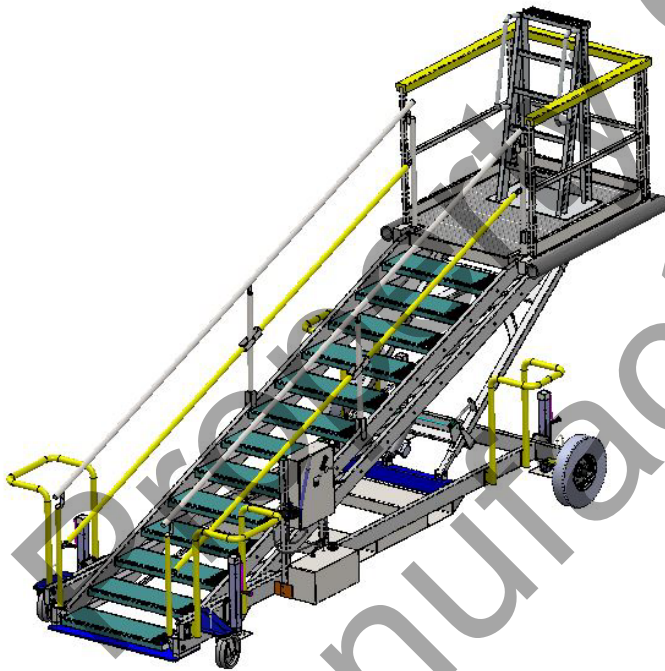
A division of

KG MANUFACTURING LLC.

6-12 NARROW SEC 48

Model # 020-BOE-SEC. 48-6-12-NARROW

Service Stair



- 1000 Lb. Deck Capacity
- Steel and Aluminum Construction
- Air/Hydraulic Platform Adjustment
- Safety Locks
- 4 leveling/Stabilizing Jacks
- Adjustable Platform Rails
- Polyurethane Foam Bumpers top of rails pm stair end
- 10" Swivel Casters with Poly Tread on Stair End
- 6.9 x 9 Solid Tires on the plane end
- Grip Strut Safety Grating on Stairs
- Top Platform – Alum Traction Tread
- Fork Lift Pockets

MODEL NUMBER	PLATFORM HEIGHT	PLATFORM SIZE
020-BOE-SEC. 48-6-12-NARROW	6' – 12'	2'9" x 5'

CASCADE GSE

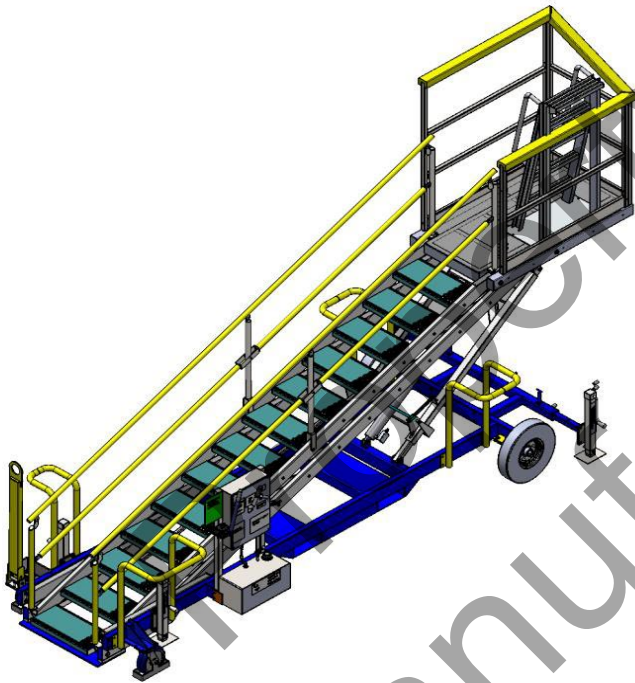
A division of

KG MANUFACTURING LLC.

6-12 NARROW SEC. 48 LH

Model # 023-BOE-SEC. 48-6-12-NARROW LH

Service Stair



- 1000 Lb. Deck Capacity
- Steel and Aluminum Construction
- Air/Hydraulic Platform Adjustment
- Safety Locks
- 4 leveling/Stabilizing Jacks
- Adjustable Platform Rails
- Polyurethane Foam Bumpers top of rails pm stair end
- 10" Swivel Casters with Poly Tread on Stair End
- 6.9 x 9 Solid Tires on the plane end
- Grip Strut Safety Grating on Stairs
- Top Platform – Alum Traction Tread
- Fork Lift Pockets

MODEL NUMBER

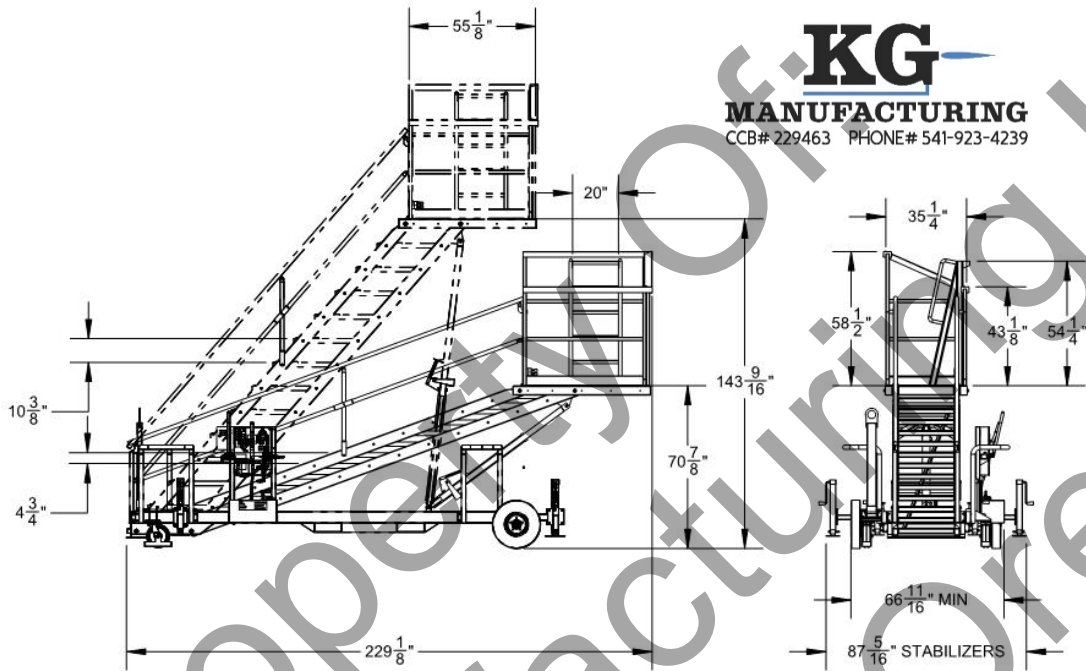
023-BOE-SEC. 48-6-12-NARROW LH

PLATFORM HEIGHT

6' TO 12'

PLATFORM SIZE

OVERVIEW DRAWINGS

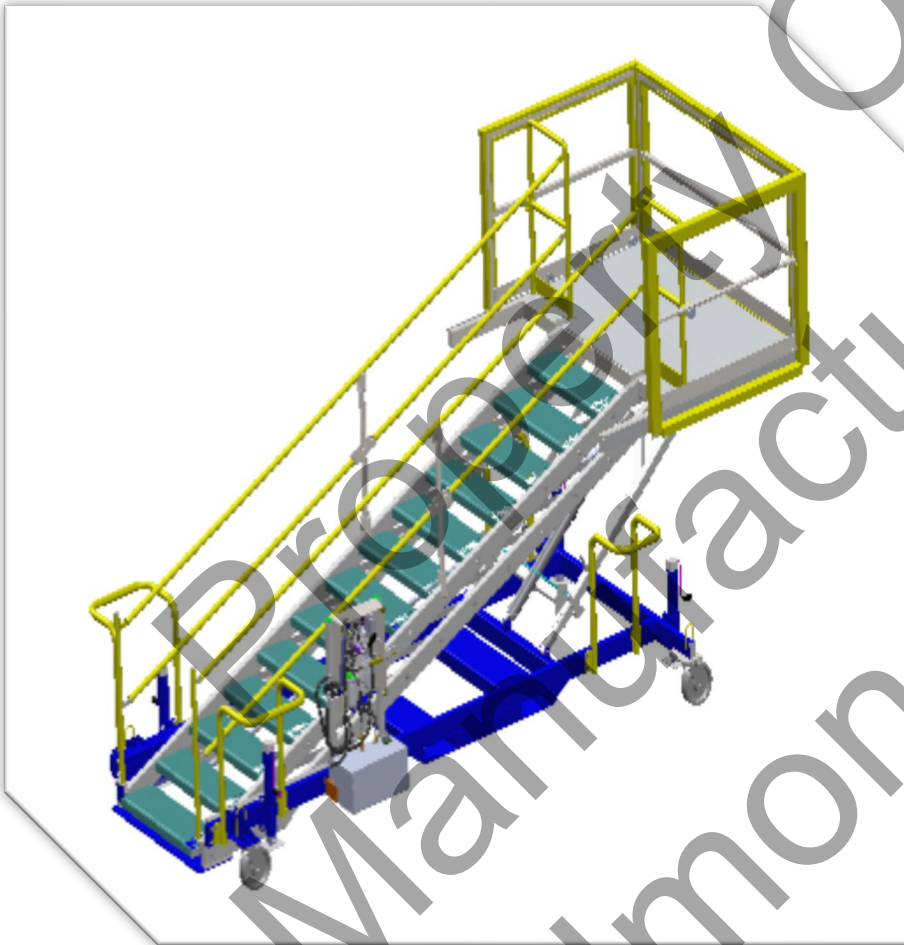


CASCADE GSE

A division of

KG MANUFACTURING LLC.

6-12 PARA
 Model # 010-BOE-6-12-PARA
 Service Stair



- 1000 Lb. Deck Capacity
- All Steel Construction
- Air/Hydraulic Platform Adjustment
- Safety Locks
- 4 Leveling/Stabilizing Jacks
- Sliding Side Safety Rails
- Removable Rear Safety Rail
- Polyurethane Foam Bumpers
- 10" Swivel Casters with Poly Tread
- Swivel Locks 90 Degree Increments
- Grip Strut Safety Grating on Stairs
- Top Platform Aluminum Traction Tread
- Fork Lift Pockets
- Side Hand Rails lock in place
- Air Supply at Deck

MODEL NUMBER

010-BOE-6-12-PARA

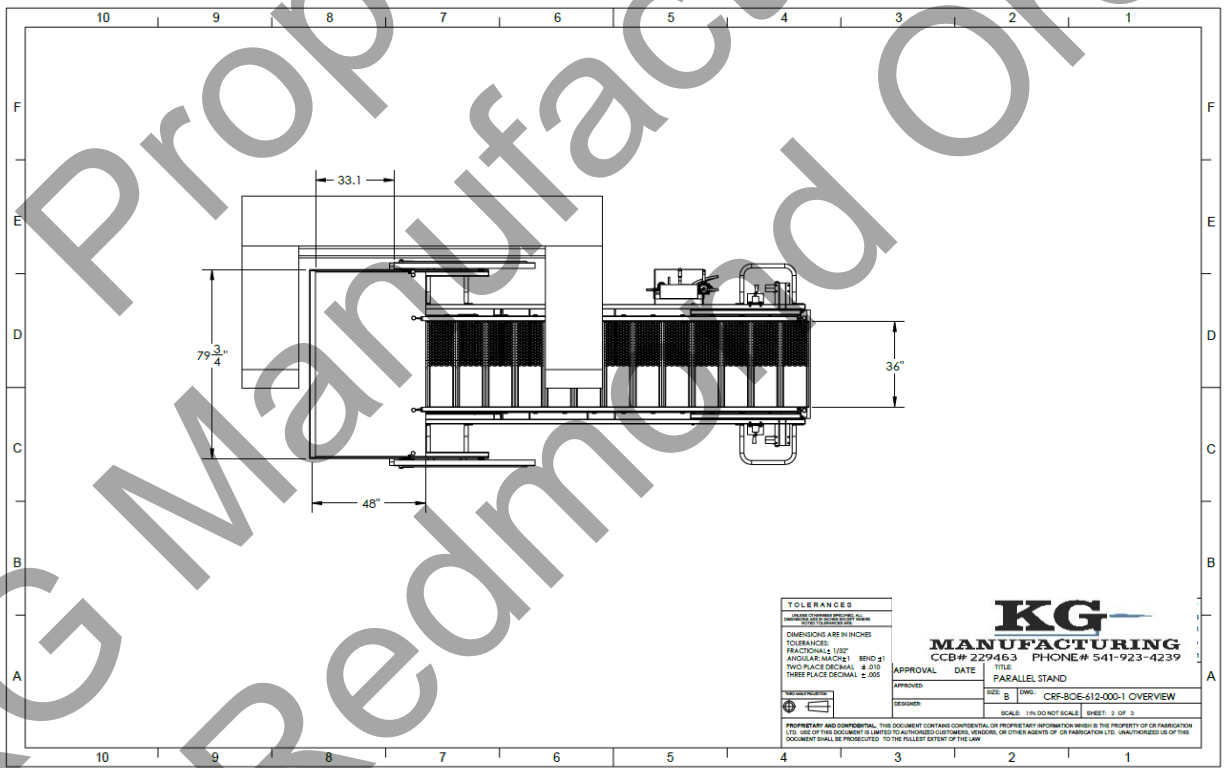
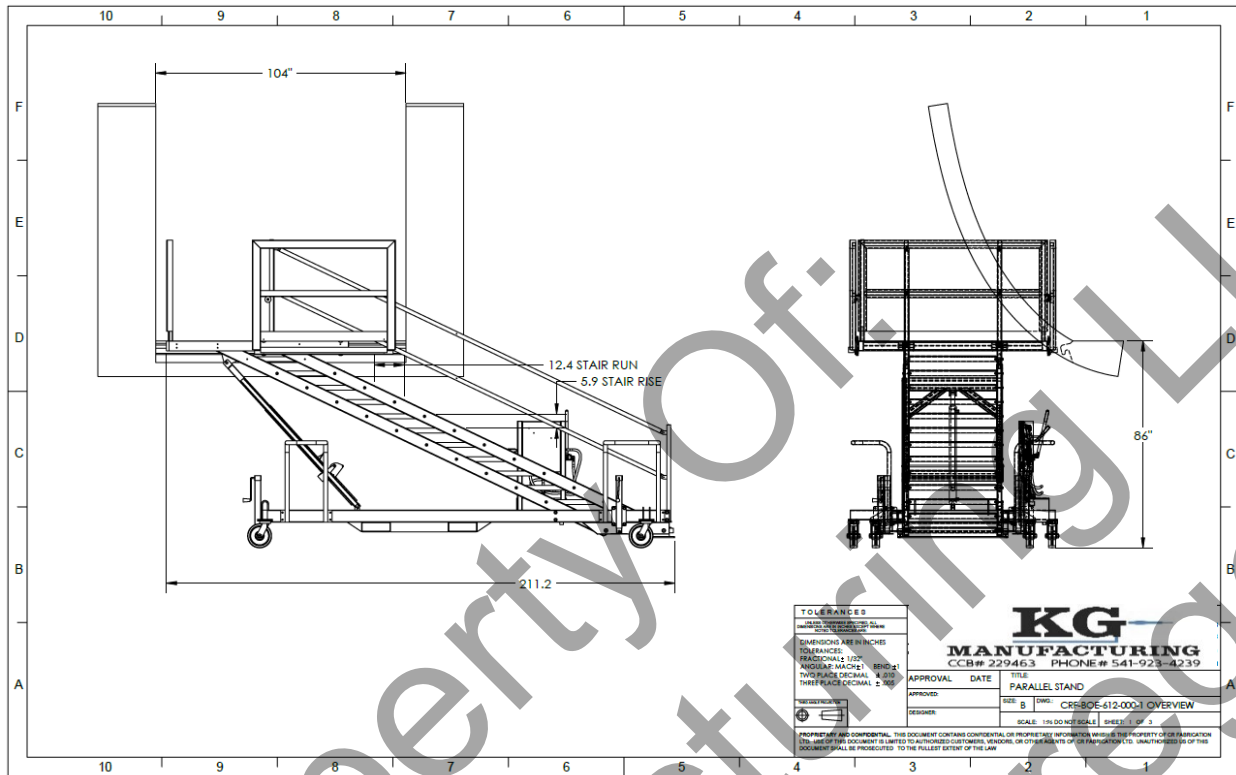
PLATFORM HEIGHT

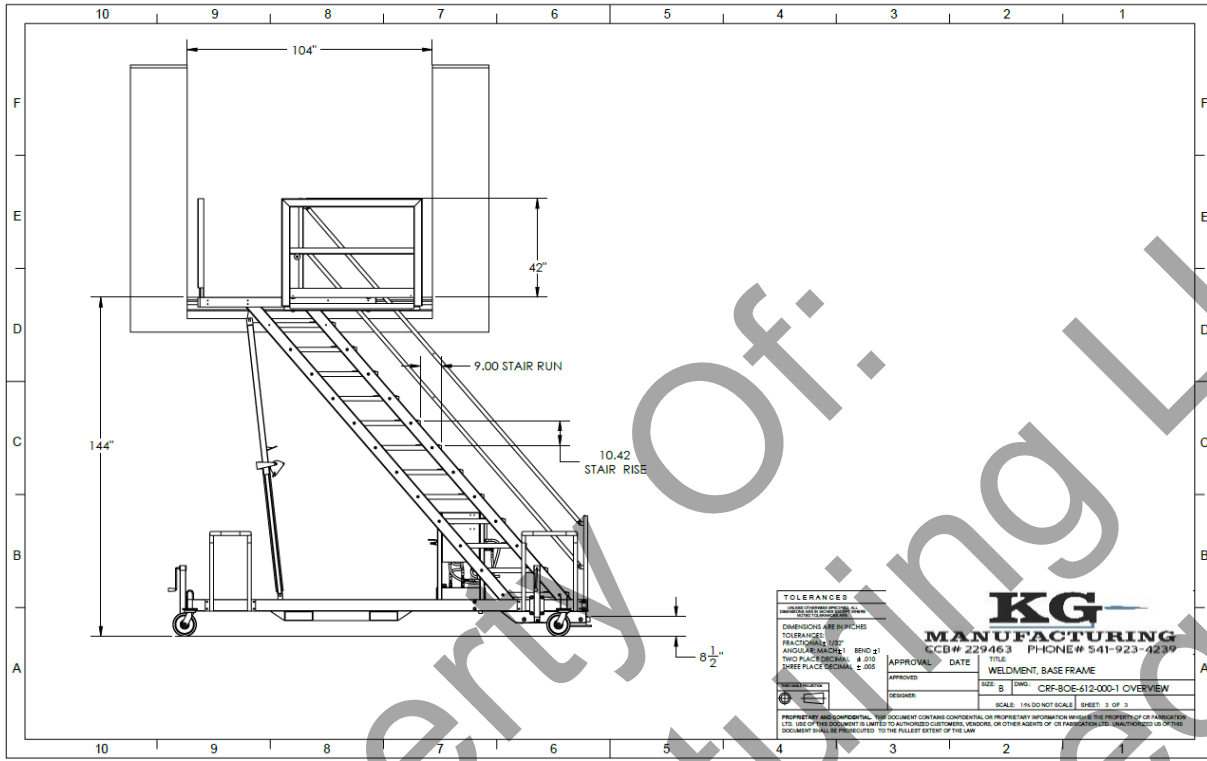
6' TO 12'

PLATFORM SIZE

6'6" X 4'

OVERVIEW DRAWINGS





CASCADE GSE

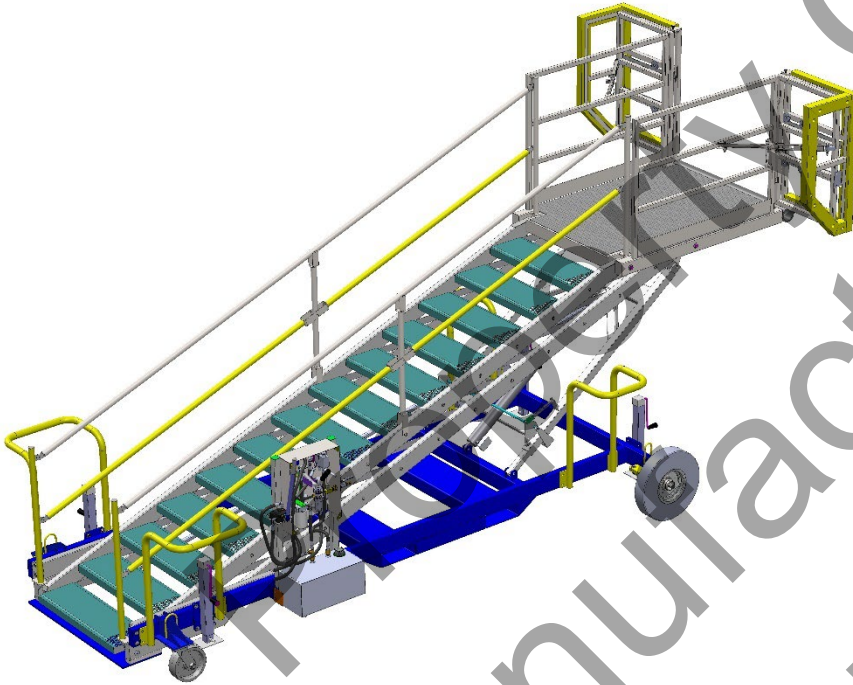
A division of

KG MANUFACTURING LLC.

6-12 PERP ALUMINUM

Model # 010-BOE-6-12-PERP-AL

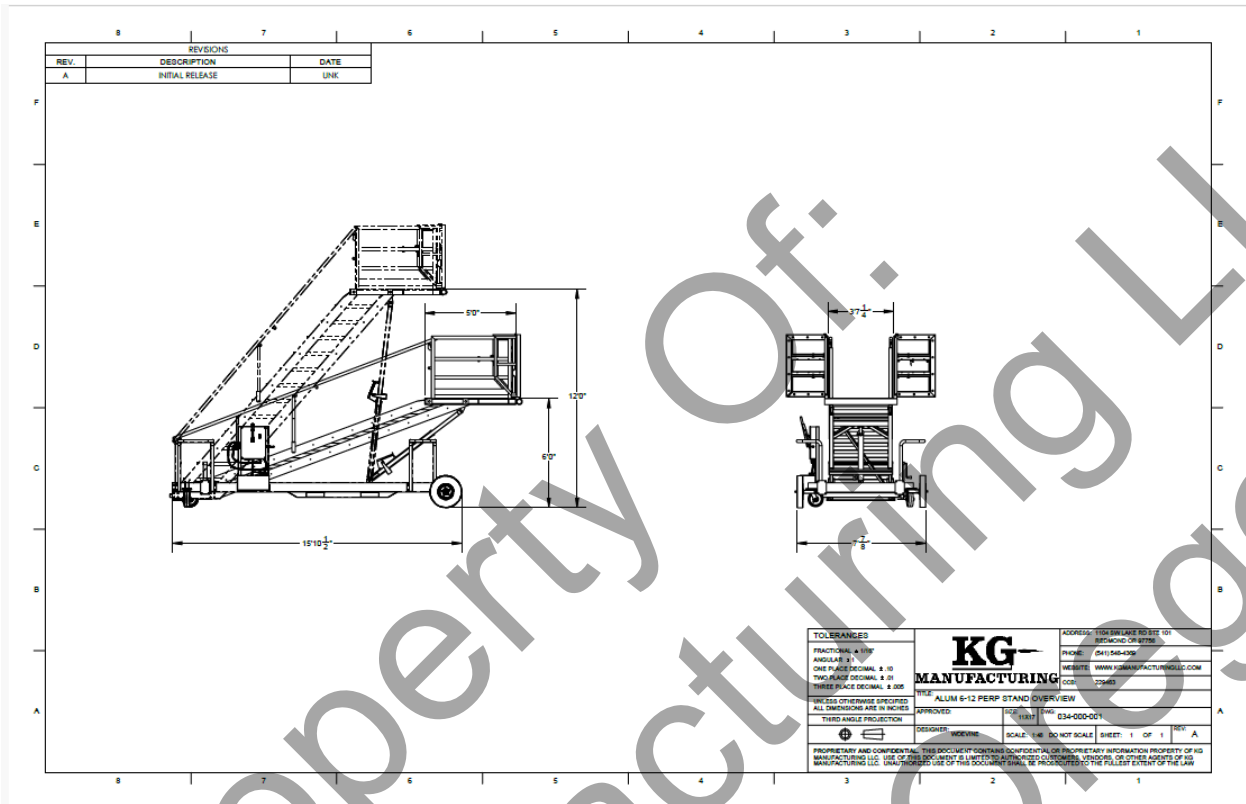
Service Stair



- 1000 Lb. Deck Capacity
- All Steel Construction
- 4 leveling/stabilizing jacks
- Sliding End Safety Gates
- Gates fold and extend
- End hand rails lock in place
- Polyurethane Foam Bumpers
- 2-10" Swivel Casters with Poly Tread swivel locks 90-degree increments
- 6.9 x 9 solid tires on the plane end
- Grip strut safety grating on stairs
- Top platform – Alum Traction Tread
- Fork Lift Pockets
- Air/Hydraulic Platform Adjustment

MODEL NUMBER	PLATFORM HEIGHT	PLATFORM SIZE
010-BOE-6-12-PERP-AL	6' TO 12'	3'7" x 5'

OVERVIEW DRAWINGS

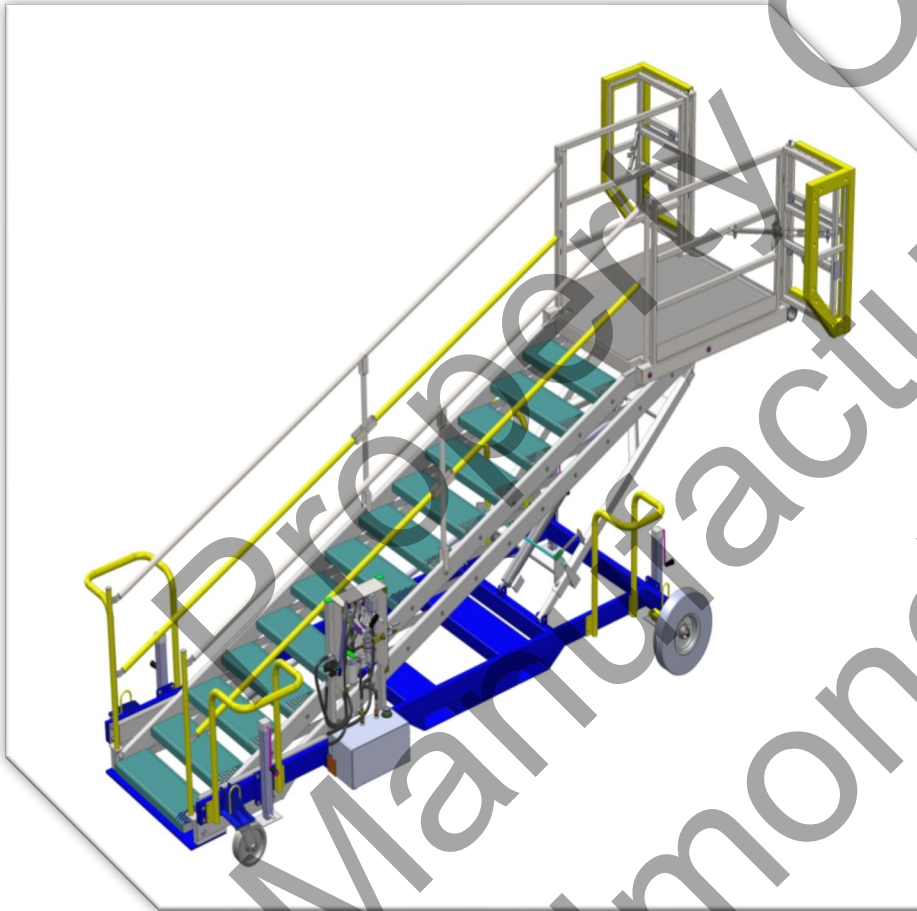


CASCADE GSE

A division of

KG MANUFACTURING LLC.

6-12 PERP STEEL
Model # 010-BOE-6-12-PERP
Service Stair



- 1000 Lb. Deck Capacity
- Stand Available in Steel or Aluminum Construction
- Safety Locks
- 4 Leveling/Stabilizing Jacks
- Polyurethane Foam Bumpers
- 10" Swivel Casters with Poly Tread
- Grip Strut Safety Grating on Stairs
- Top Platform Aluminum Traction Tread
- Fork Lift Pockets
- Air/Hydraulic Platform Adjustment
- Sliding End Safety Gates
- Gates Fold and Extend
- End Hand Rails lock in place
- 6.9X9 Solid Tires on the Plane End
- Air Supply at Deck

**MODEL
NUMBER**

010-BOE-6-12-PERP

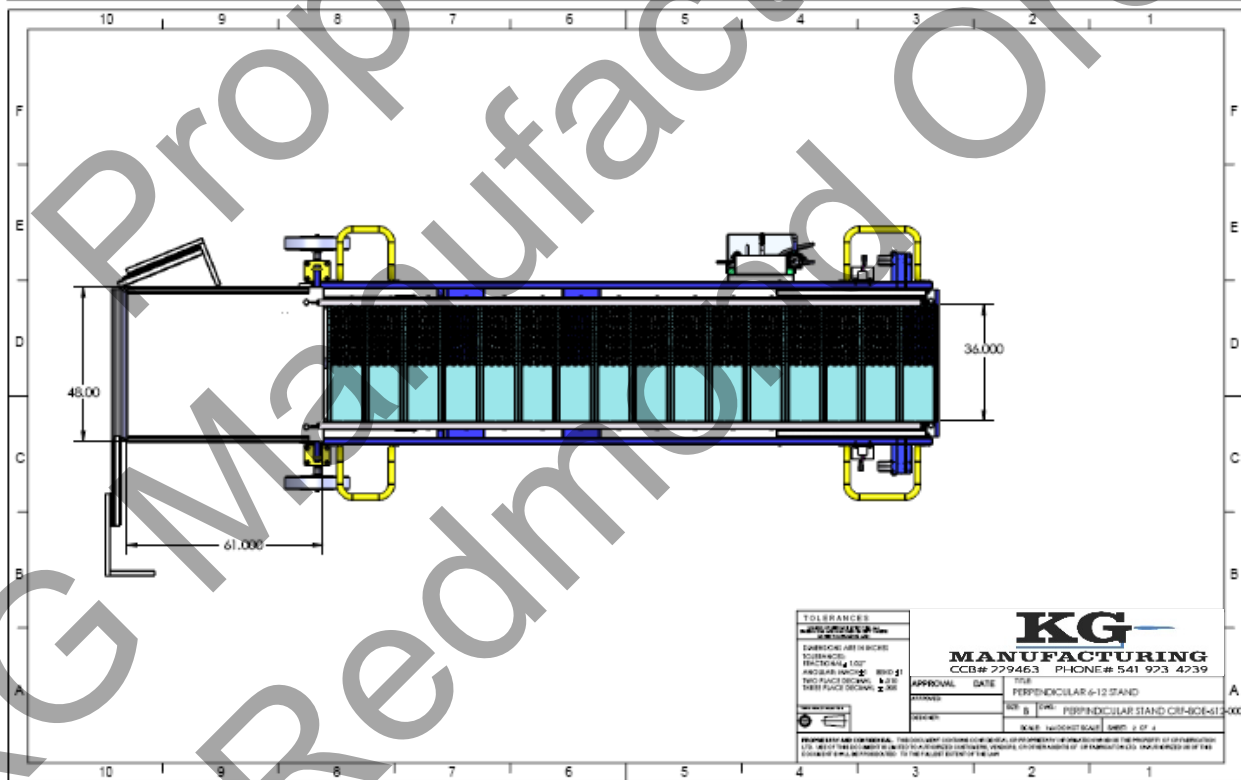
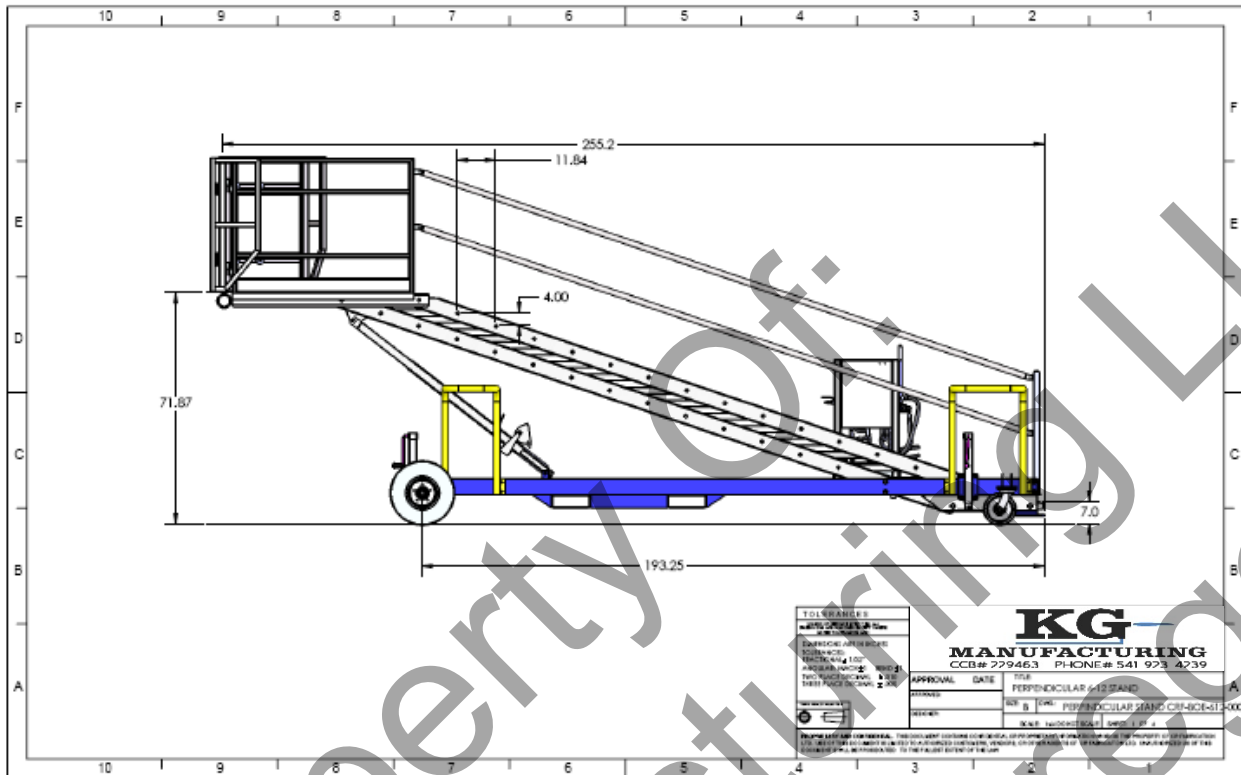
**PLATFORM
HEIGHT**

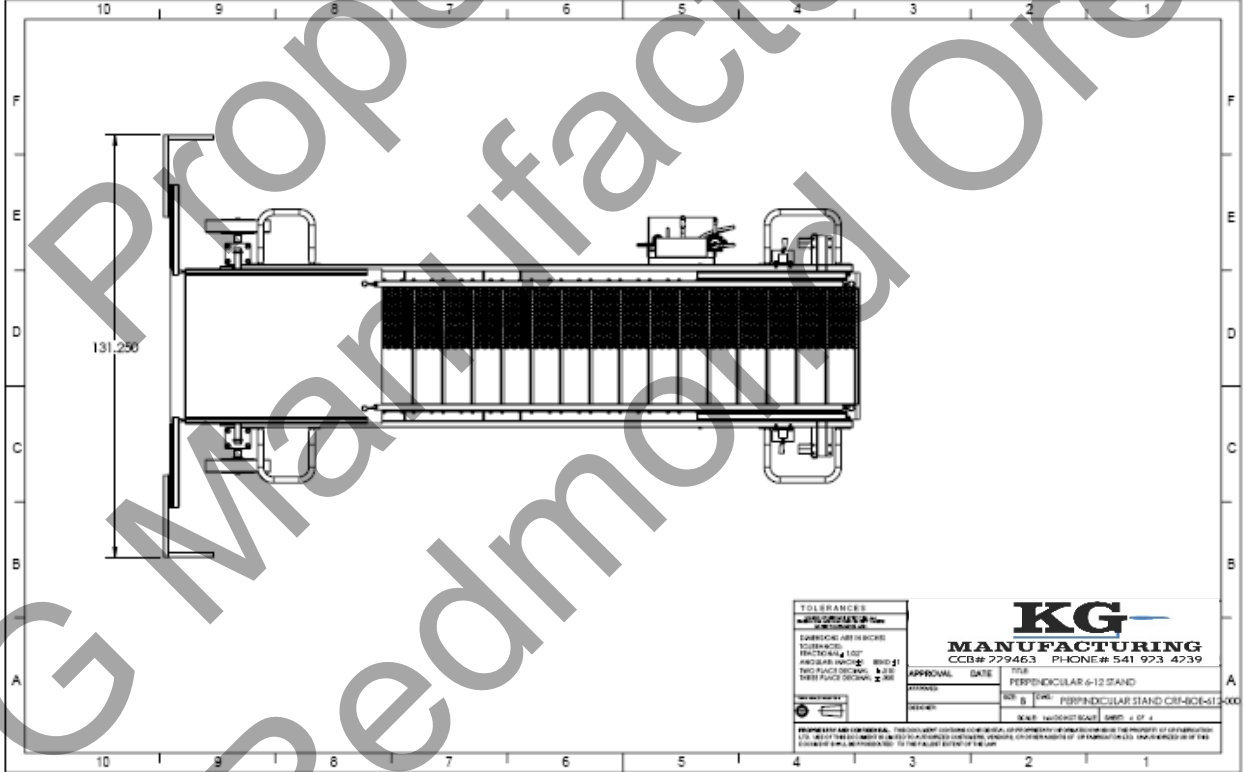
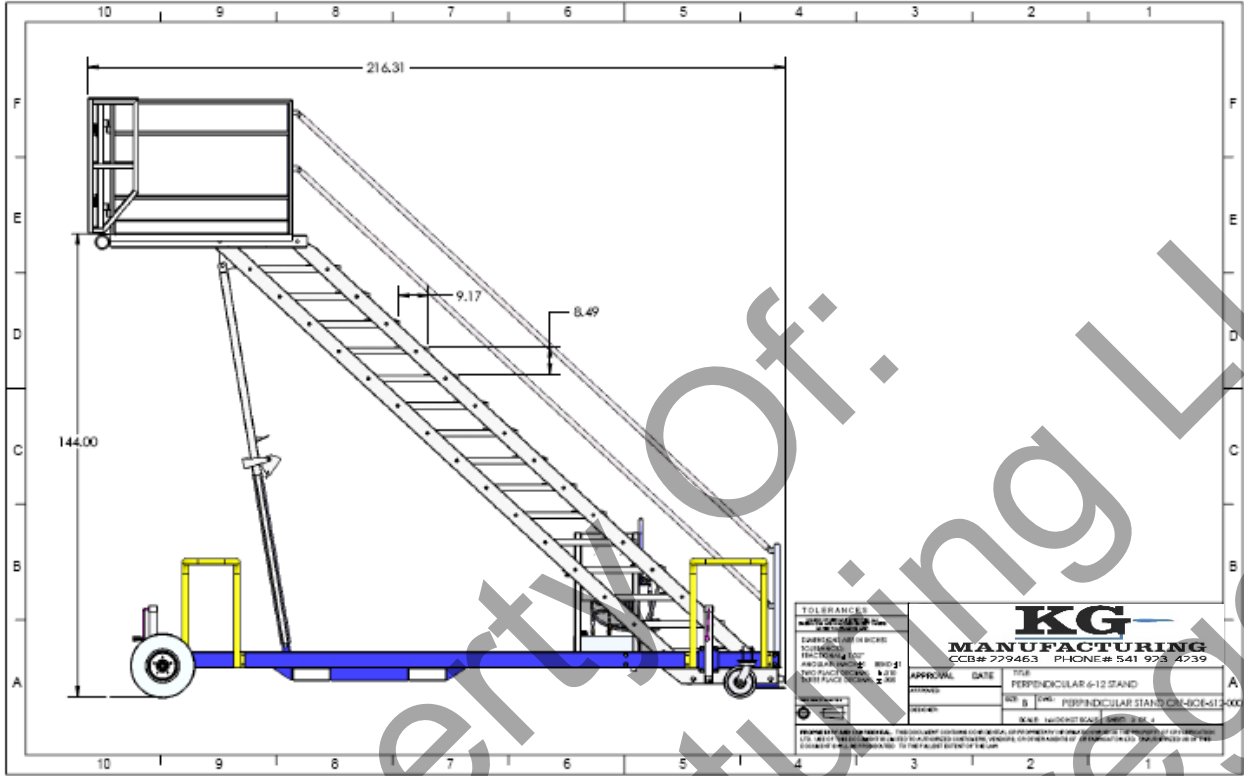
6' TO 12"

**PLATFORM
SIZE**

4' X 5'

OVERVIEW DRAWINGS







CASCADE GSE

A division of

KG MANUFACTURING LLC.

6-12 SEC. 48

Model # 011-BOE-SEC. 48 6-12

Service Stair



- 1000 Lb. Deck Capacity
- All Steel and Aluminum Construction
- 4 Leveling/Stabilizing Jacks
- 6.9X9 Solid Tires on the Plane End
- Swivel Caster in Rear
- Fork Lift Pockets
- Non-Marking Bumpers
- Ladder Available in Fixed or Telescopic Construction (see pages 141 for ladder options)
- Grip Strut Safety Grating on Stairs
- Top Platform Alum. Traction Tread
- Push Bars Front and Rear
- Also available with Tow Bar (see page 140 for Tow Bar info)

MODEL NUMBER

011-BOE-SEC. 48 6-12

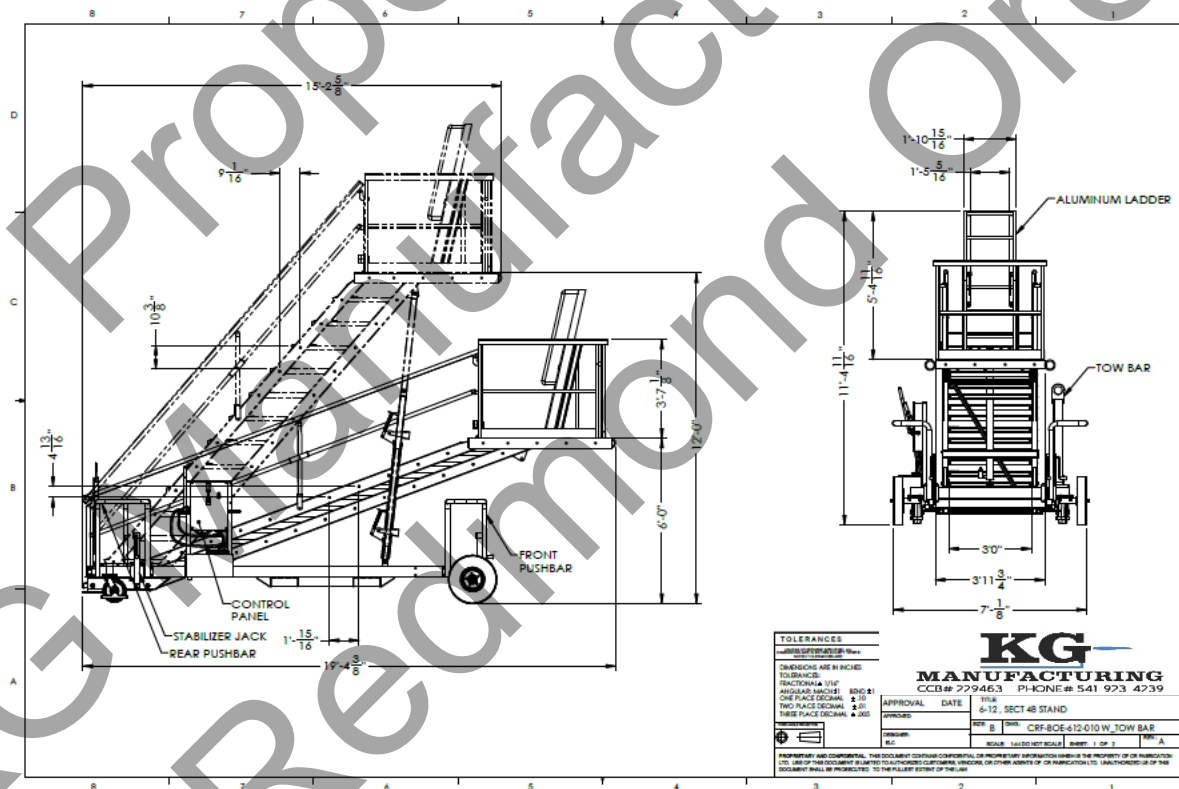
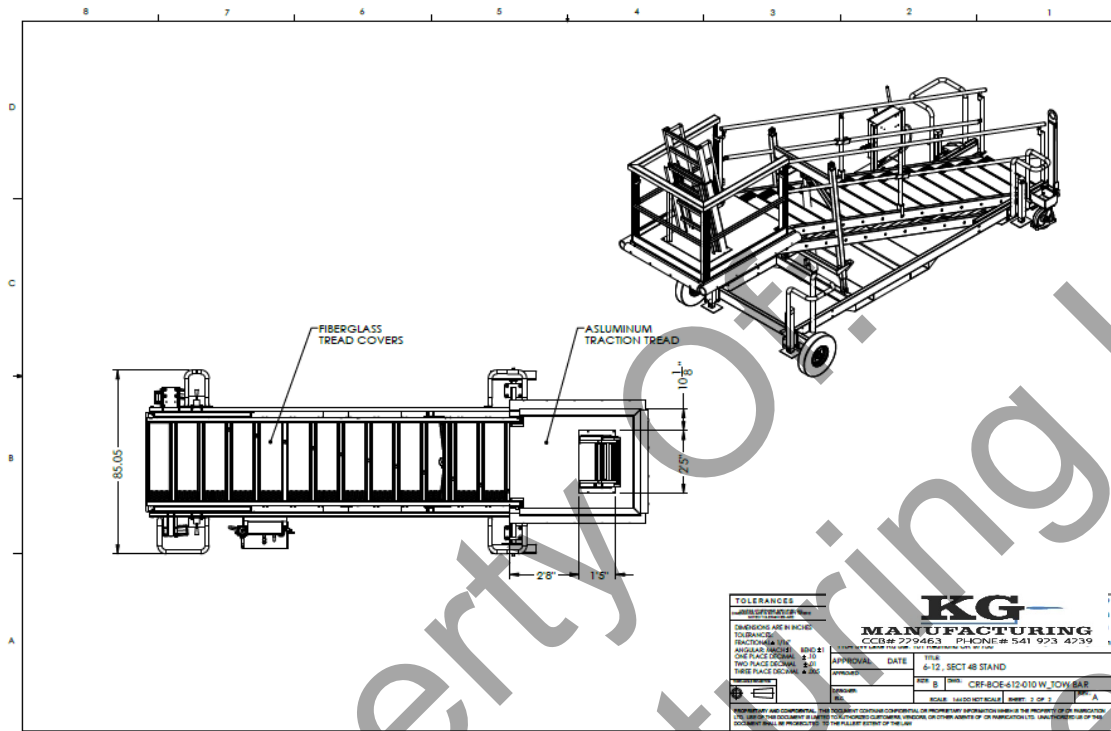
PLATFORM HEIGHT

6' to 12'

PLATFORM SIZE

4' X 5'

OVERVIEW DRAWINGS





KG Manufacturing Corporation

CASCADE GSE

A division of

KG MANUFACTURING LLC.

7.5-11.5 ALUMIUM PERP

Model # 016-BOE-AL-PERP-7.5-11.5

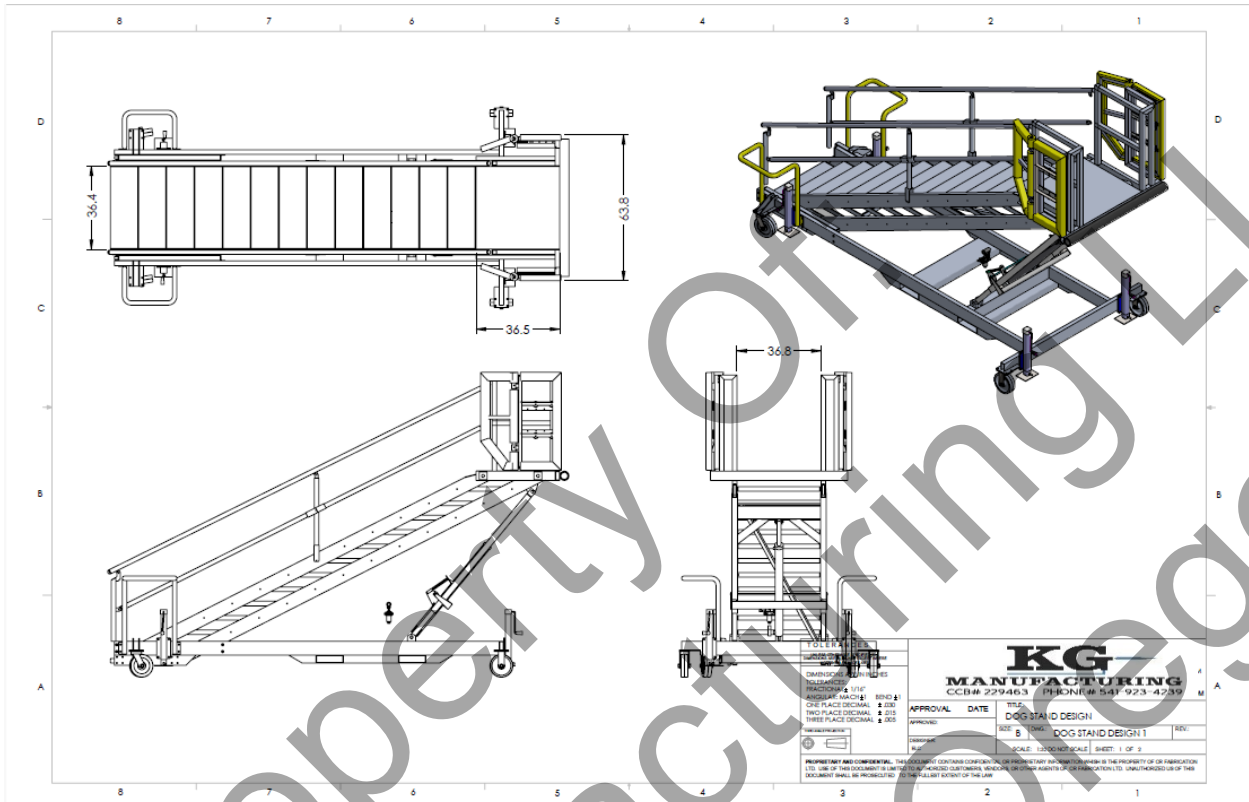
Service Stair



- 1000 Lb. Deck Capacity
- All Steel and Aluminum Construction
- 10" Swivel Caster w/ Toe Guard
- Safety Lock
- 10" Fixed Casters
- Stabilizing Jacks
- Adjustable Guard Rail w/ foam bumper
- Guard rail folds back for 70" Door or transport
- Rails Bracke holds position of folding section
- Fork Pockets

MODEL NUMBER	PLATFORM HEIGHT	PLATFORM SIZE
016-BOE-AL-PERP-7.5-11.5	7' -6" to 11'-6"	3' x 2' 3"

OVERVIEW DRAWINGS

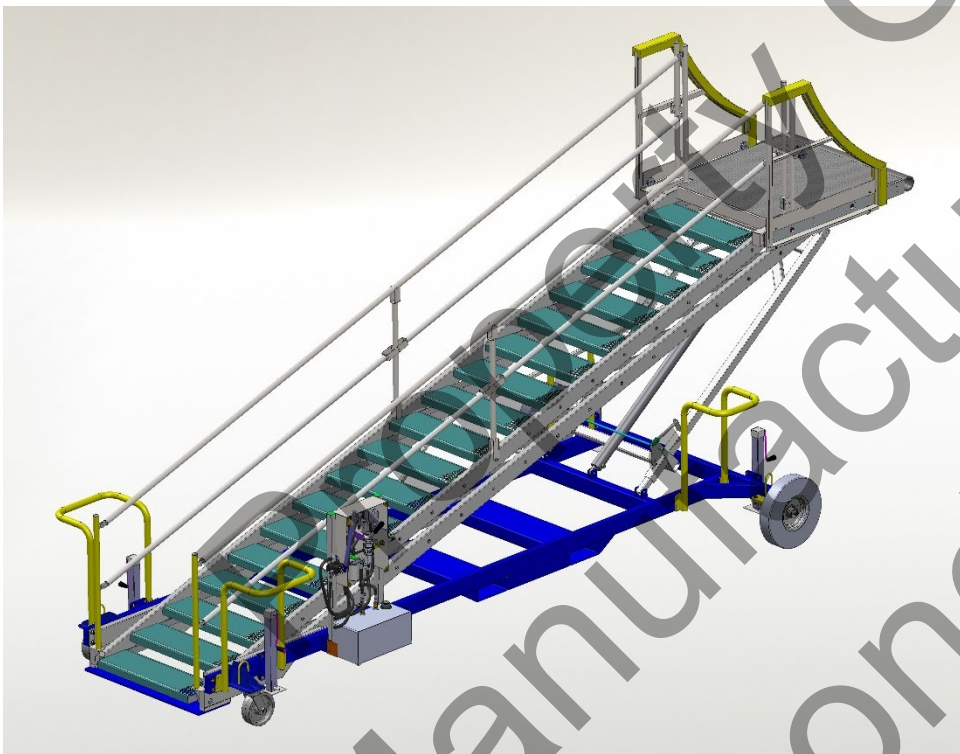


CASCADE GSE

A division of

KG MANUFACTURING LLC.

7-16 AFT
 Model # 010-BOE-AFT-7-16
 Service Stair



- 1000 Lb. Deck Capacity
- Air/Hydraulic Platform Adjustment
- Safety Locks
- 4 leveling/stabilizing jacks
- Adjustable platform rails
- Polyurethane foam bumpers top of rails
- 10" swivel casters with poly tread on stair ends
- Swivel locks 90-degree increments
- 6.9 x 9 solid tires on the plane end
- Grip strut safety grating on stairs
- Top Platform – Alum Traction Tread
- Fork lift pockets

MODEL NUMBER

010-BOE-AFT-7-16

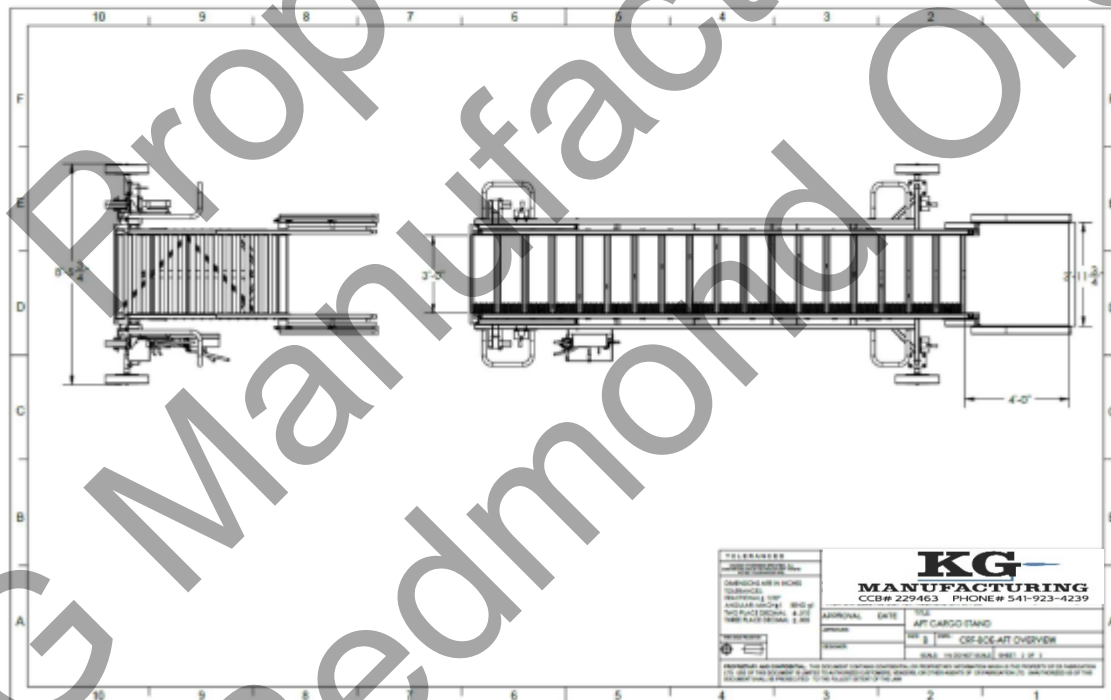
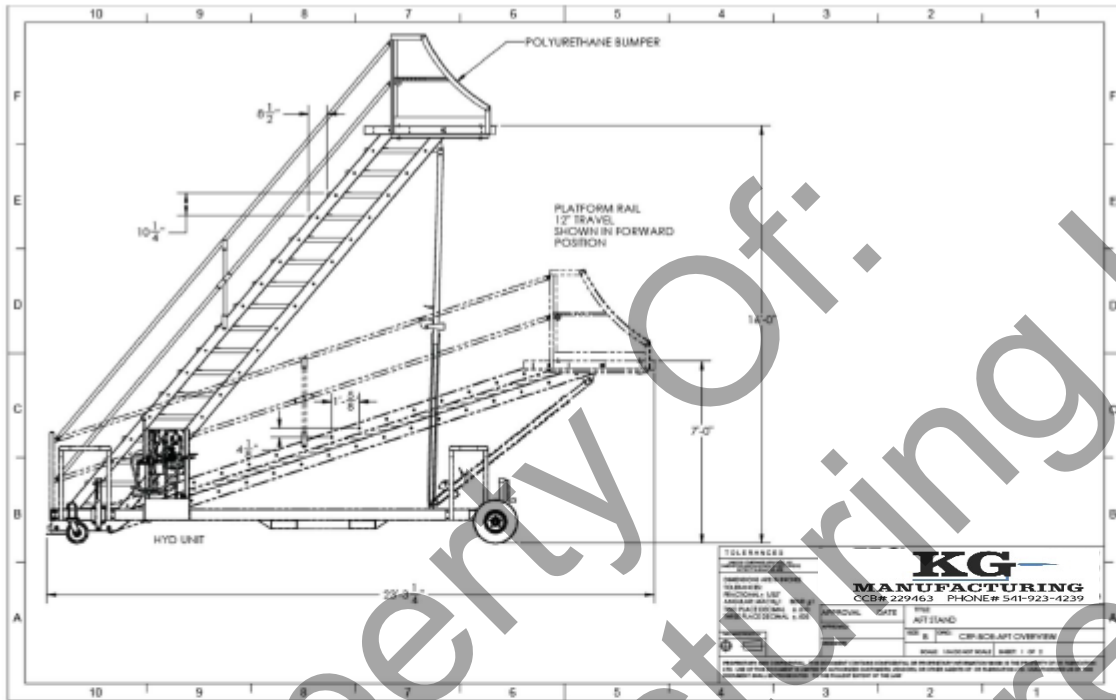
PLATFORM HEIGHT

7" TO 16'

PLATFORM SIZE

4' X 4'

OVERVIEW DRAWINGS

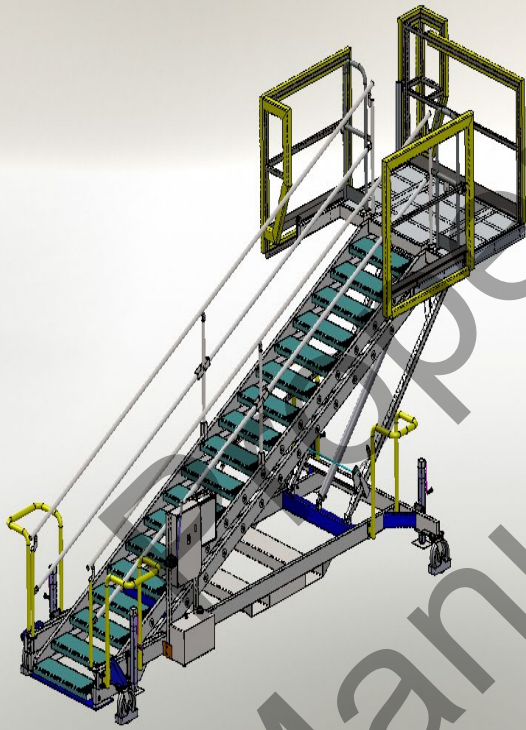


CASCADE GSE

A division of

KG MANUFACTURING LLC.

7-16 PARA
Model # 016-BOE-7-16-PARA
Service Stair



- 1000 Lb. Deck Capacity
- Air/Hydraulic Platform Adjustment
- Safety Locks
- 4 leveling/stabilizing jacks
- Adjustable platform rails
- Polyurethane foam bumpers top of rails
- 10" swivel casters
- Swivel locks 90-degree increments
- Grip strut safety grating on stairs
- Top Platform – Alum Traction Tread
- Fork lift pockets

MODEL NUMBER

016-BOE-7-16-PARA

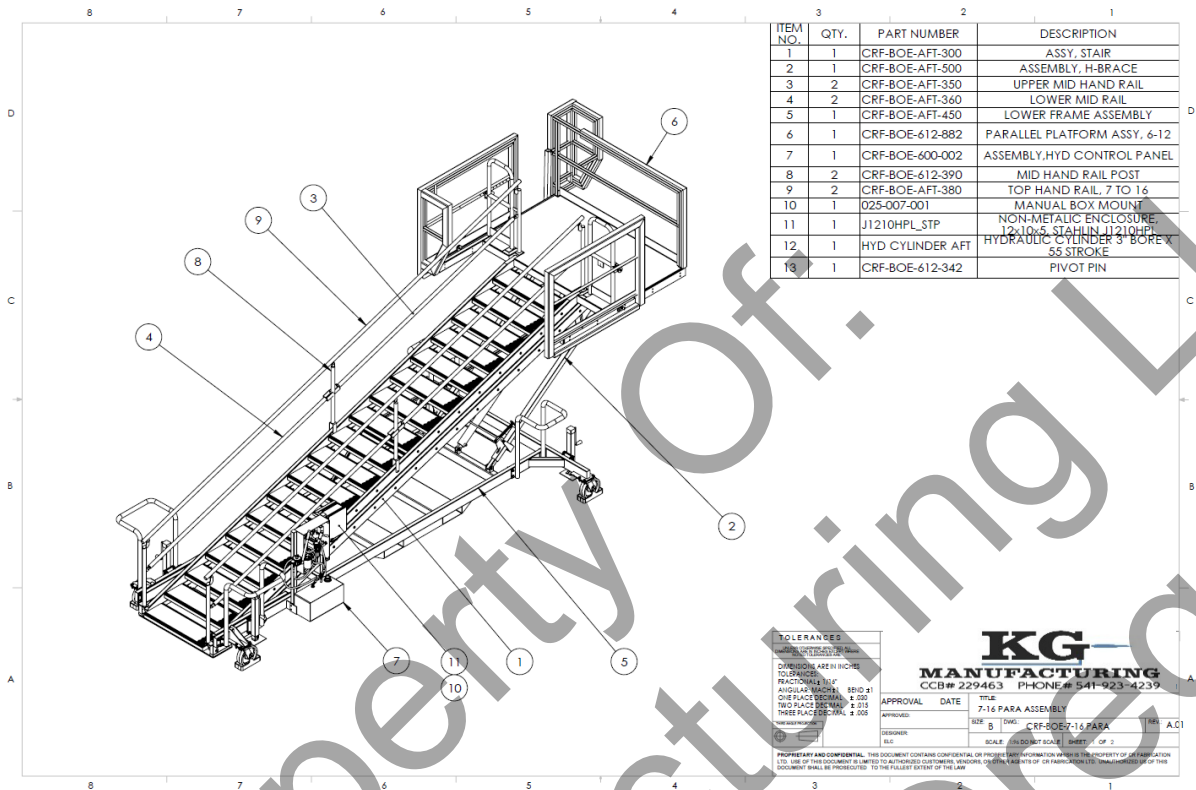
PLATFORM HEIGHT

7' TO 16'

PLATFORM SIZE

4' x 6'6"

OVERVIEW DRAWINGS



ITEM NO.	QTY.	PART NUMBER	DESCRIPTION
1	1	CRF-BOE-AFT-300	ASSY. STAIR
2	1	CRF-BOE-AFT-500	ASSEMBLY, H-BRACE
3	2	CRF-BOE-AFT-350	UPPER MID HAND RAIL
4	2	CRF-BOE-AFT-360	LOWER MID RAIL
5	1	CRF-BOE-AFT-450	LOWER FRAME ASSEMBLY
6	1	CRF-BOE-612-882	PARALLEL PLATFORM ASSY. 6-12
7	1	CRF-BOE-600-002	ASSEMBLY, HYD CONTROL PANEL
8	2	CRF-BOE-612-390	MID HAND RAIL POST
9	2	CRF-BOE-AFT-380	TOP HAND RAIL, 7 TO 16
10	1	025-007-001	MANUAL BOX MOUNT
11	1	J1210HPL_STP	NON-METALIC ENCLOSURE 12-10x5 STAHLIN J1210HPL
12	1	HYD CYLINDER AFT	HYDRAULIC CYLINDER 3" BORE X 55 STROKE
13	1	CRF-BOE-612-342	PIVOT PIN

TOLERANCES
 UNLESS OTHERWISE SPECIFIED:
 DIMENSIONS ARE IN INCHES
 DECIMALS .015
 FRACTIONS 1/16
 ANGULAR MEASURES .005 IN ONE PLACE DECIMAL, .005 IN TWO PLACE DECIMAL, .005 IN THREE PLACE DECIMAL, .005

KG MANUFACTURING
 CCB# 229463 PHONE# 541-923-4239

APPROVAL DATE TITLE
 7-16 PARA ASSEMBLY

DESIGNED BY: [Signature] SIZE: B DWG: CRF-BOE-7-16 PARA TRM: A.C1
 SCALE: (AS SHOWN) SHEET: 1 OF 2

PROPERTY AND CONFIDENTIAL. THIS DOCUMENT CONTAINS CONFIDENTIAL OR PROPRIETARY INFORMATION WHICH IS THE PROPERTY OF KG MANUFACTURING. THE USE OF THIS DOCUMENT IS LIMITED TO AUTHORIZED CUSTOMERS, VENDORS, CONTRACTORS AND IS NOT TO BE REPRODUCED OR TRANSMITTED IN ANY FORM OR BY ANY MEANS, ELECTRONIC OR MECHANICAL, INCLUDING PHOTOCOPYING, RECORDING, OR BY ANY INFORMATION STORAGE AND RETRIEVAL SYSTEM, WITHOUT PERMISSION IN WRITING FROM KG MANUFACTURING. THE USER OF THIS DOCUMENT SHALL BE RESPONSIBLE TO THE FULLEST EXTENT OF THE LAW.

CASCADE GSE

A division of

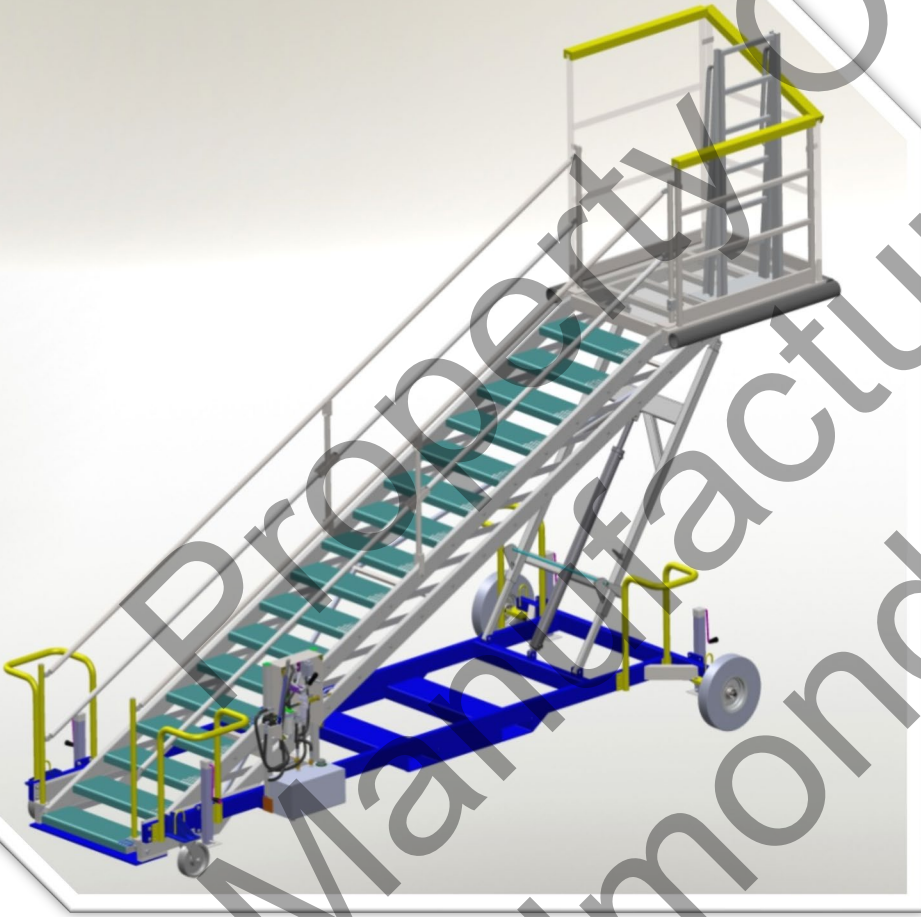
KG MANUFACTURING LLC.

9-15 SEC. 48

Model # 010-BOE-SEC.48 9-15

Service Stair

- 700 Lb. Deck Capacity
- All Steel Construction
- Safety Locks
- 4 Leveling/Stabilizing Jacks
- Removable Platform Rails
- Polyurethane Foam Bumpers top of rails
- 10" Swivel Casters with Poly Tread on stair end
- Grip Strut Safety Grating on Stairs
- Top Platform Aluminum Traction Tread
- Fork Lift Pockets
- Air/Hydraulic Platform Adjustment
- 6.9X9 Solid Tires on the Plane End
- Air Supply at Deck
- Ladder Available in Fixed or Telescopic Construction
- Available with Tow Bar (see page 140 for info)



MODEL NUMBER

010-BOE-SEC. 48 9-15

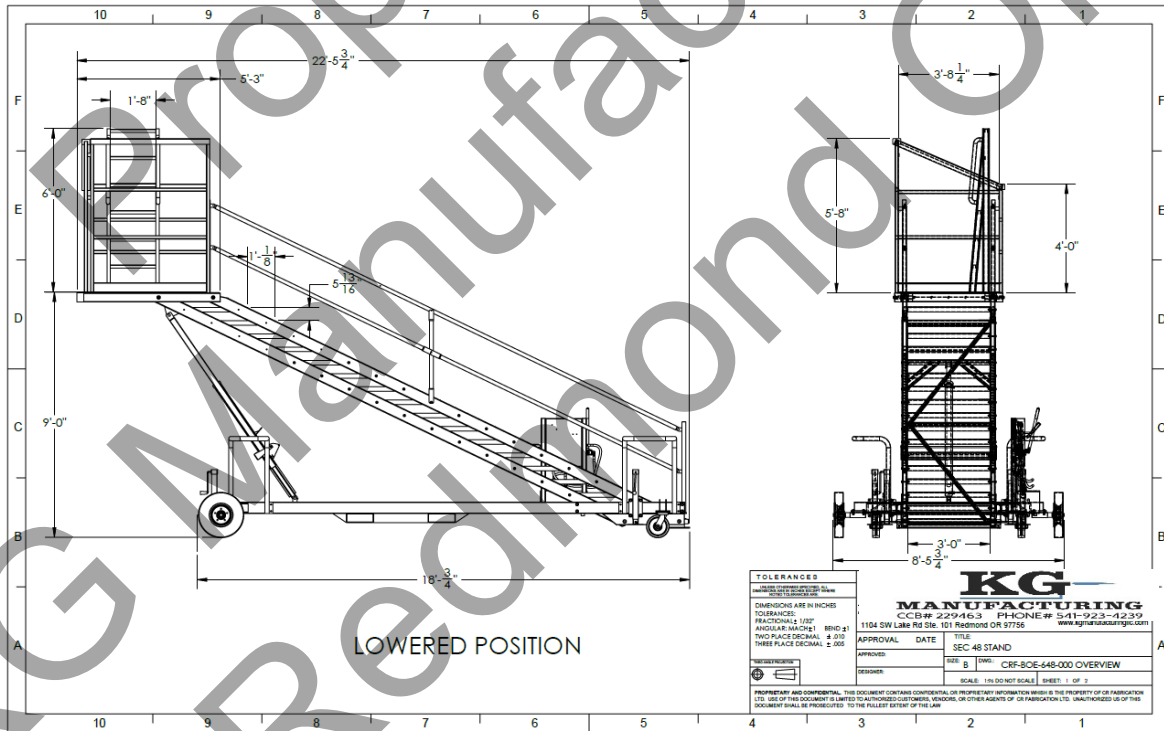
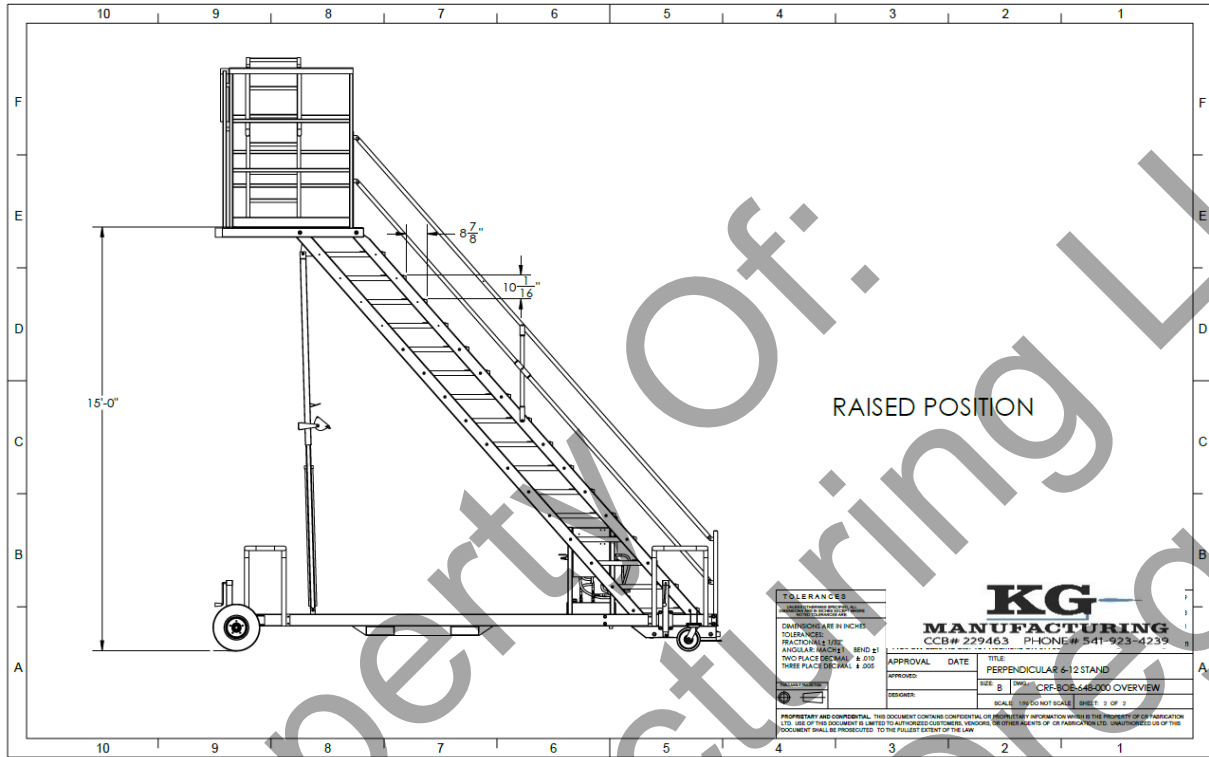
PLATFORM HEIGHT

9' to 15'

PLATFORM SIZE

4' X 5'

OVERVIEW DRAWINGS



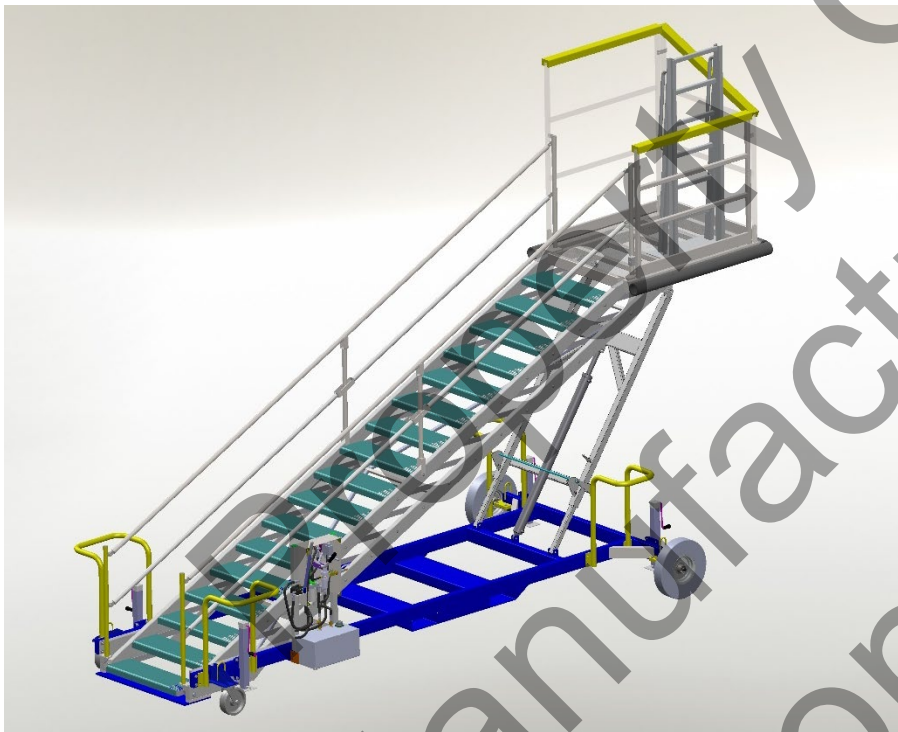
CASCADE GSE

A division of

KG MANUFACTURING LLC.

9-15 MOD SEC. 48

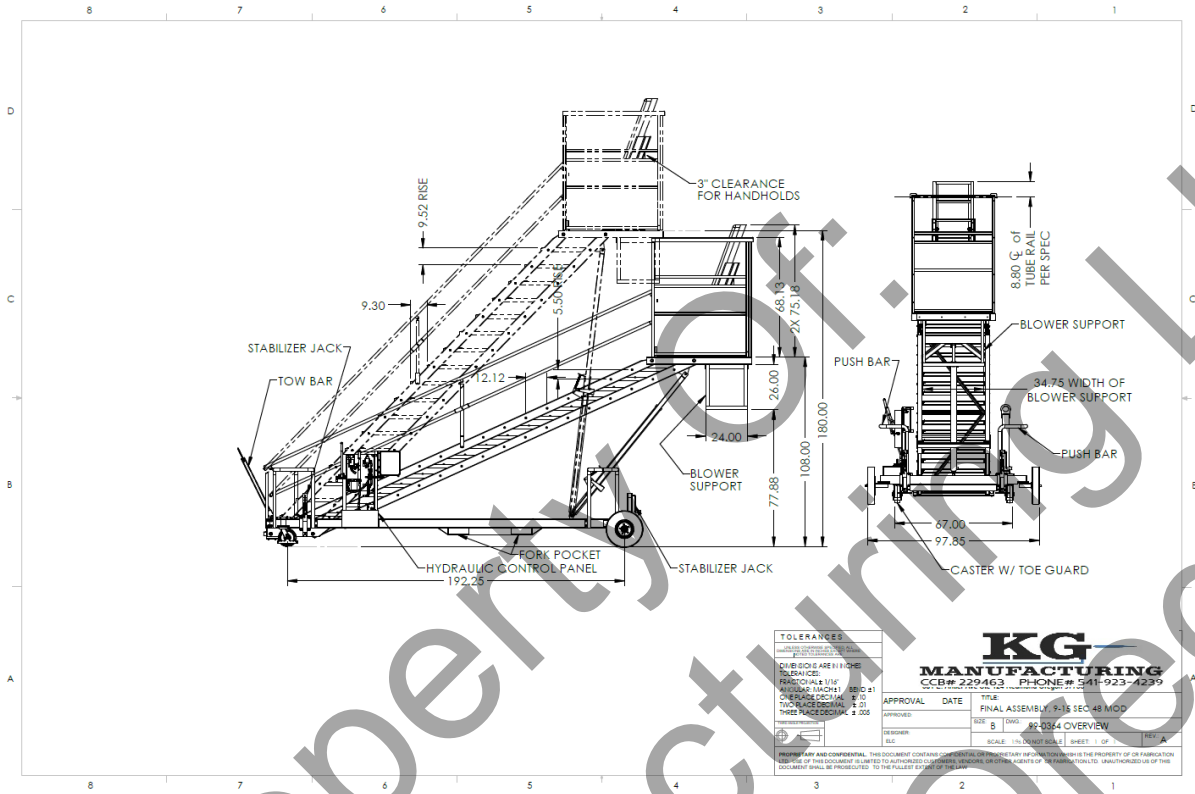
Model # 018-BOE-SEC. 48-9-15 MOD
Service Stair



- 1000 Lb. Deck Capacity
- Air/Hydraulic Platform Adjustment
- Safety Locks
- 4 leveling/stabilizing jacks
- Removable platform rails
- Polyurethane foam bumpers top of rails
- 10" swivel casters with poly tread on stair end
- Swivel locks 90-degree increments
- 6.9 x 9 solid tires on the plane end
- Grip strut safety grating on stairs
- Top Platform – Alum Traction Tread
- Fork lift pockets
- 6' ladder

MODEL NUMBER	PLATFORM HEIGHT	PLATFORM SIZE
018-BOE-SEC. 48-9-15 MOD	9' to 15'	3'8" x 5'

OVERVIEW DRAWINGS



CASCADE GSE

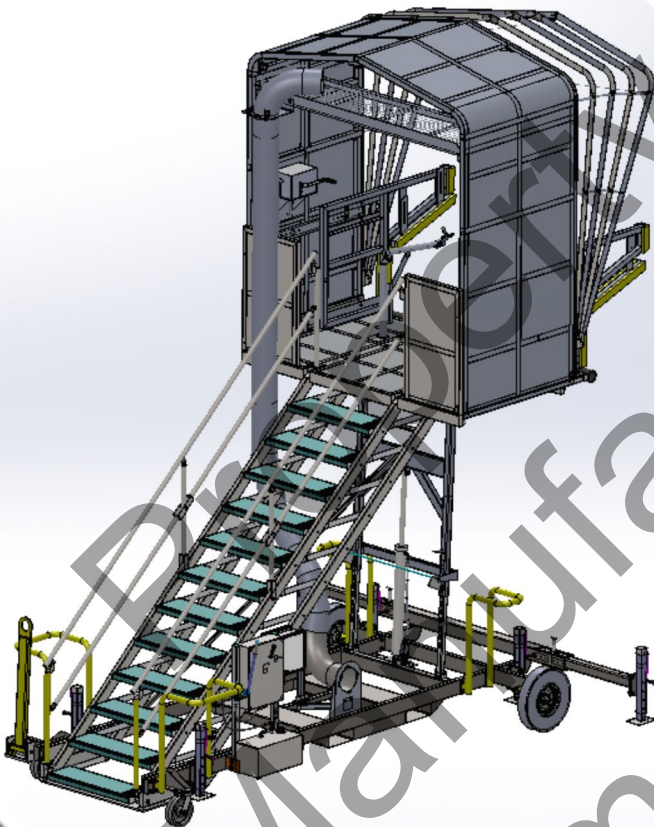
A division of

KG MANUFACTURING LLC.

737 WINDSHIELD

Model # 015-BOE-737-WINDSHIELD

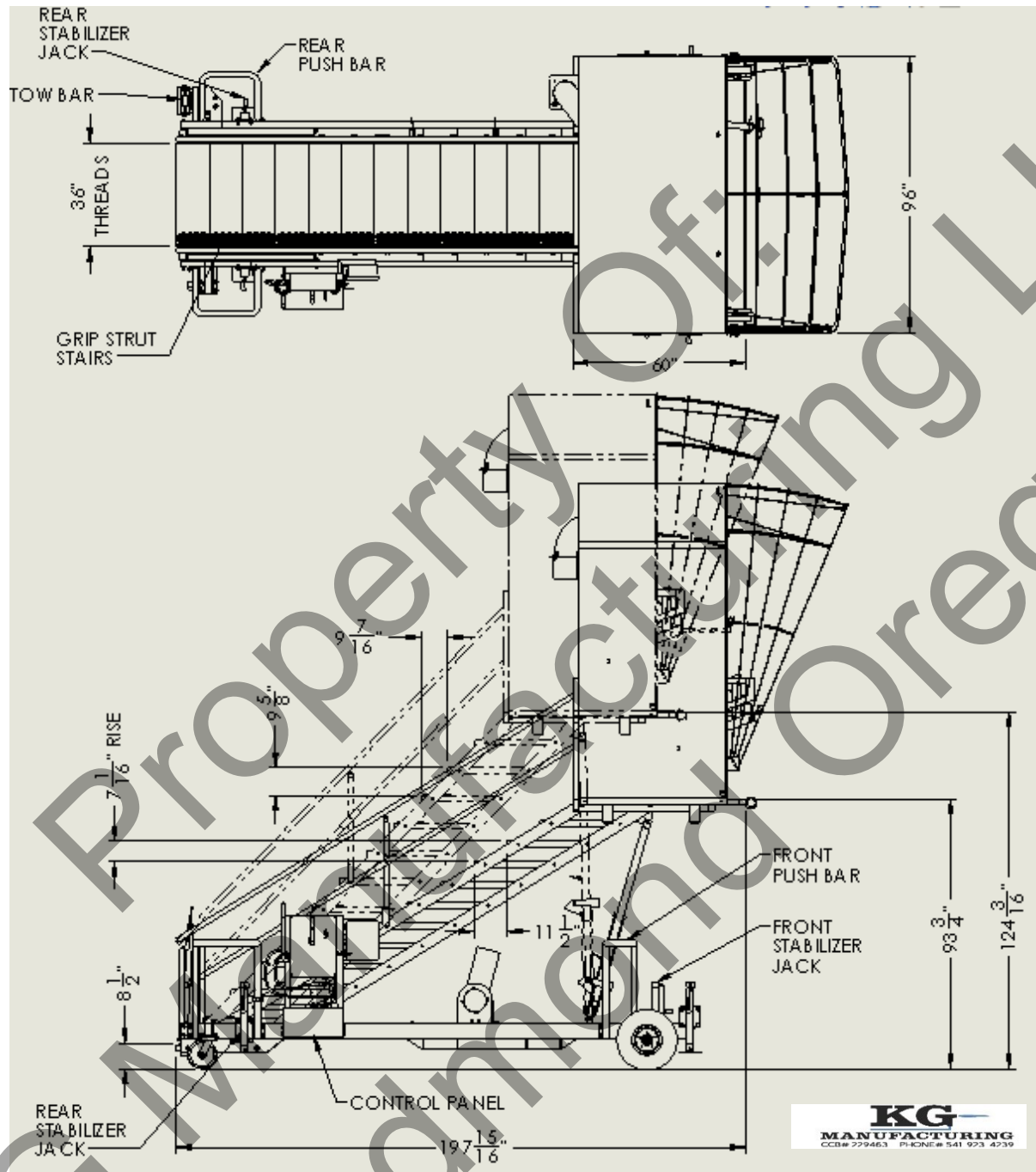
Service Stair

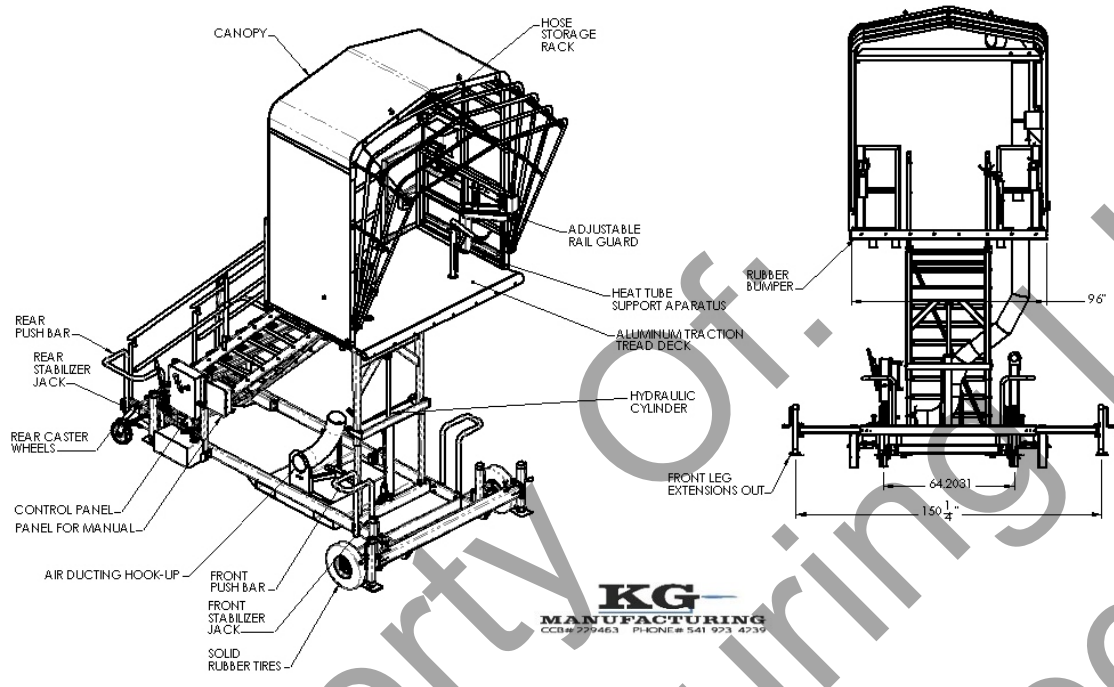


- 1000 Lb. Deck Capacity
- Air over Hydraulic Platform adjustment
- Safety Locks
- 6 leveling/ Stabilizing Jacks
- Adjustable Platform Rails
- Polyurethane Foam Bumpers top of rails
- 10" Swivel Casters with Poly Tread on stair end
- 6.9 x 9 Solid Tires on the plane end
- Grip Strut Safety Grating on Stairs
- Top Platform- Alum. Traction Tread

MODEL NUBER	PLATFORM HEIGHT	PLATFORM SIZE
011-BOE-737-WINDSHIELD	7'9" to 10'4"	5' x 8'

OVERVIEW DRAWINGS





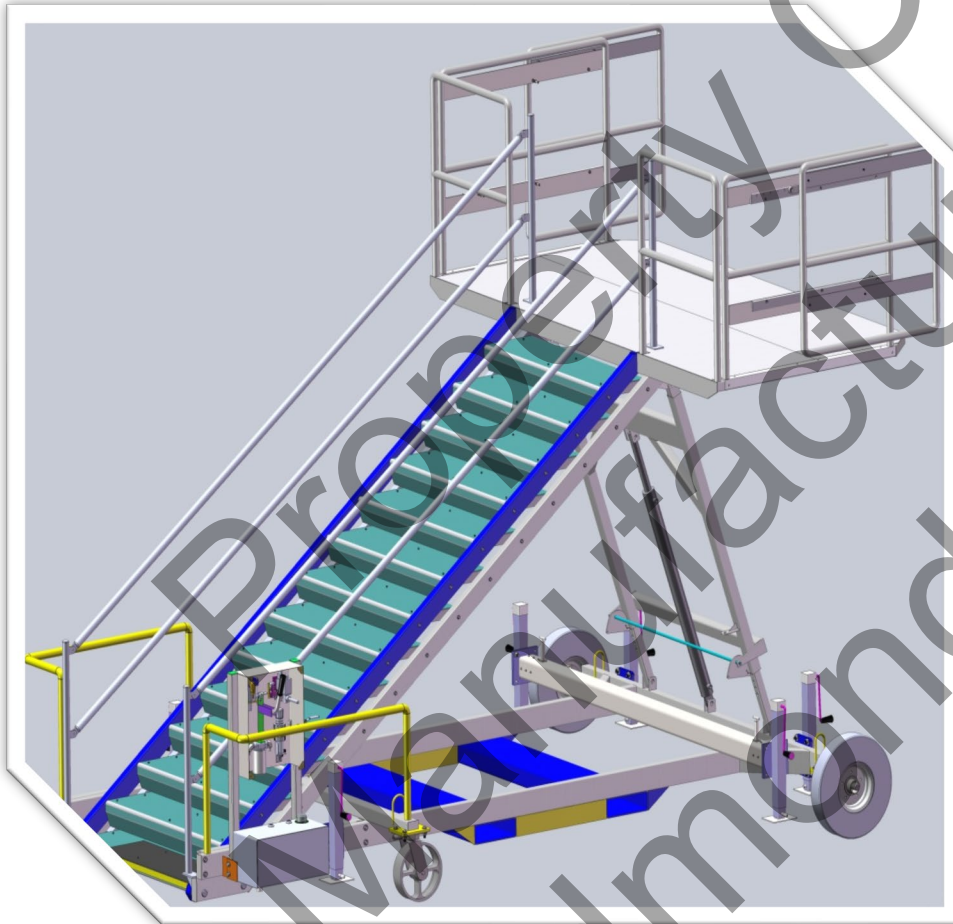
Property of KG Manufacturing LLC
 Redmond Oregon

CASCADE GSE

A division of

KG MANUFACTURING LLC.

E119 BASE
Model # E119-Base
Service Stair



- 1000 Lb. Deck Capacity
- All Steel Construction
- Air/Hydraulic Platform Adjustment
- Safety Locks
- 4 Leveling/Stabilizing Jacks
- 2 Extendable Stabilizers
- Fork Lift Pockets
- 6.9X9 Solid Tires on the Plane End
- Locking Sliding Sides
- Grip Strut Safety Grating on Stairs
- 10" Swivel Caster with Poly Tread
- Painted Pipe Handrail
- Open Sides

MODEL NUMBER

E119-Base

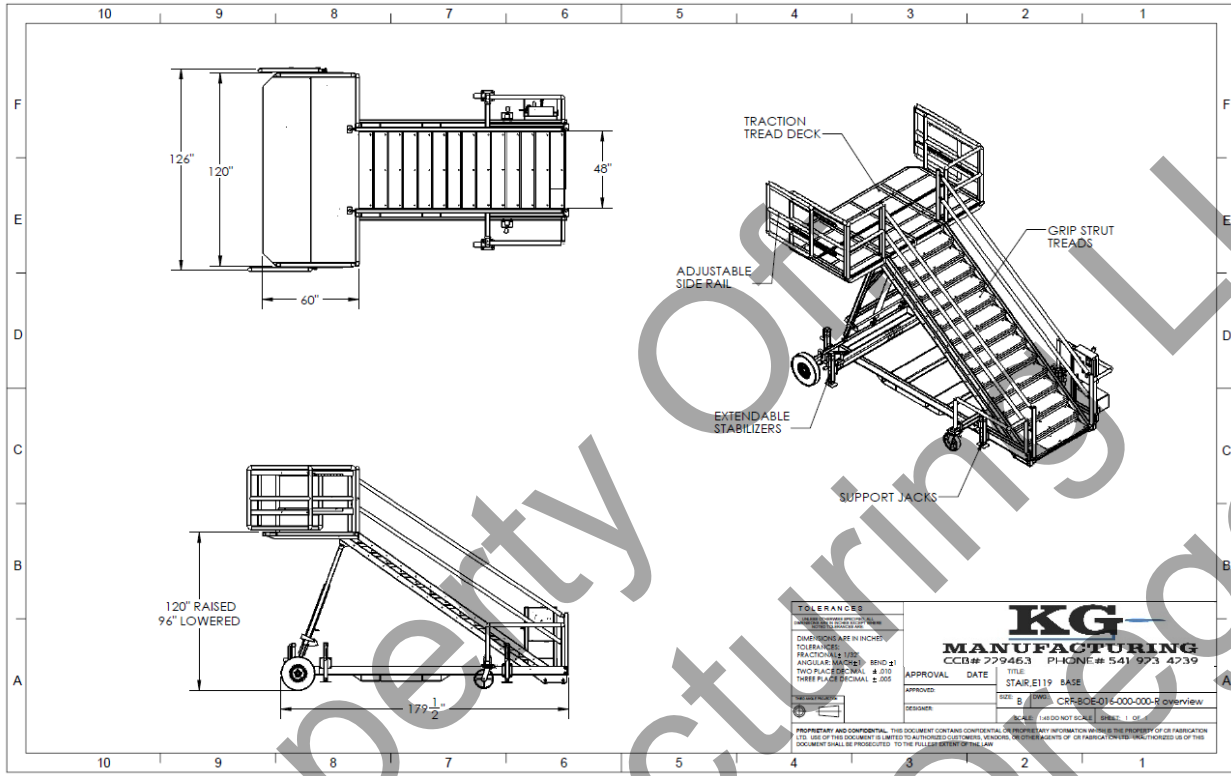
PLATFORM HEIGHT

8'4" to 10'4"

PLATFORM SIZE

5'X10'

OVERVIEW DRAWINGS

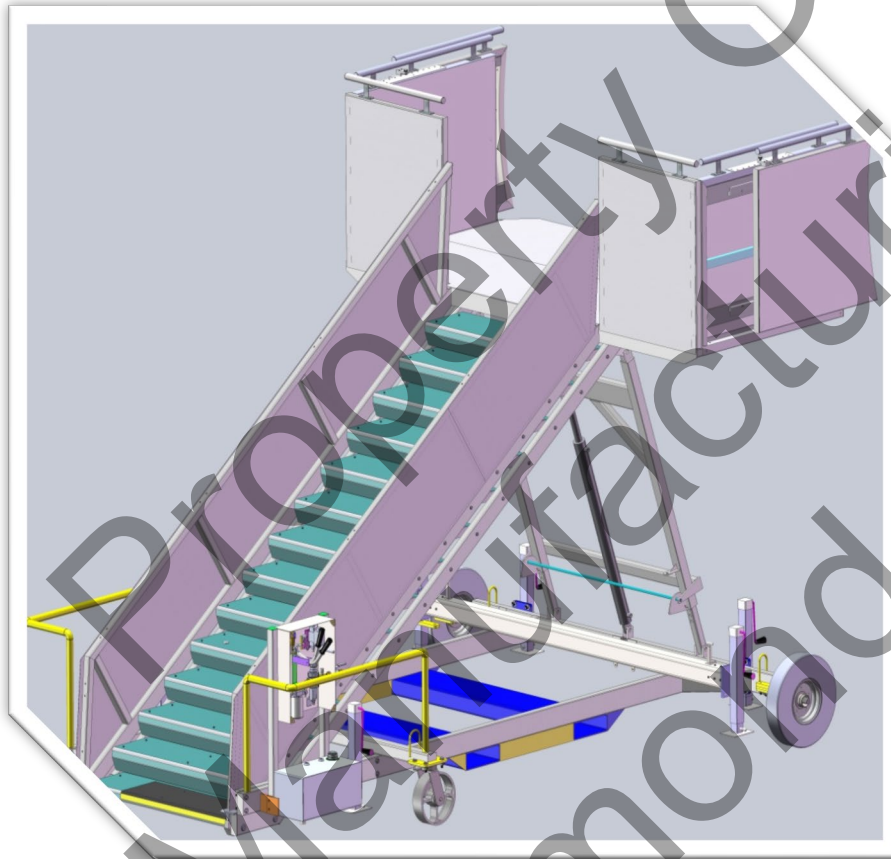


CASCADE GSE

A division of

KG MANUFACTURING LLC.

E119 STANDARD
 Model # E119-Standard
 Service Stair



- 1000 Lb. Deck Capacity
- All Steel and Aluminum Construction
- Air/Hydraulic Platform Adjustment
- Safety Lock
- 4 Leveling/Stabilizing Jacks
- 2 Extendable Stabilizers
- Fork Lift Pockets
- 6.9X9 Solid Tires on the Plane End
- Locking Sliding Sides
- Non-Marking Bumpers
- Top Platform-Alum. Traction Tread
- Fiberglass Tread Covers
- 10" Swivel Caster with Poly Tread
- Stainless Steel Hand Rail
- Covered Side Walls

MODEL NUMBER

E119-Standard

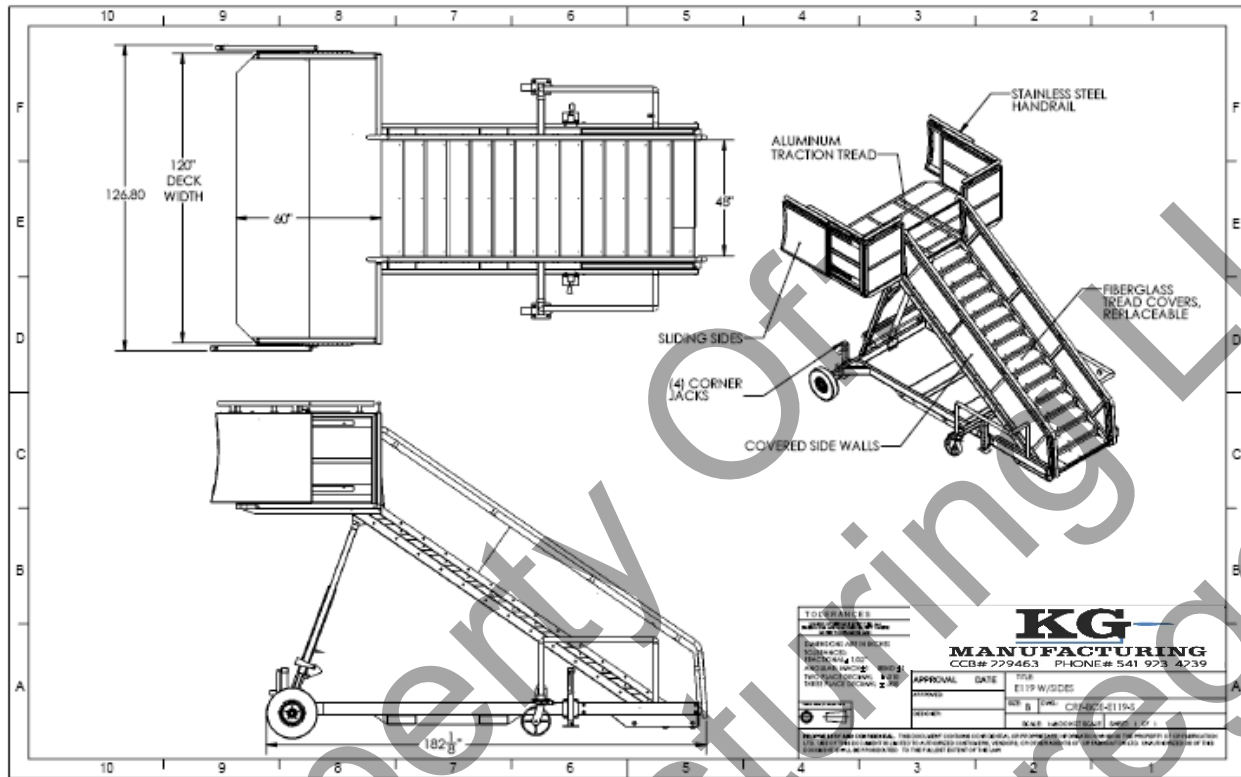
PLATFORM HEIGHT

8'4" to 10'4"

PLATFORM SIZE

5' X 10'

OVERVIEW DRAWINGS



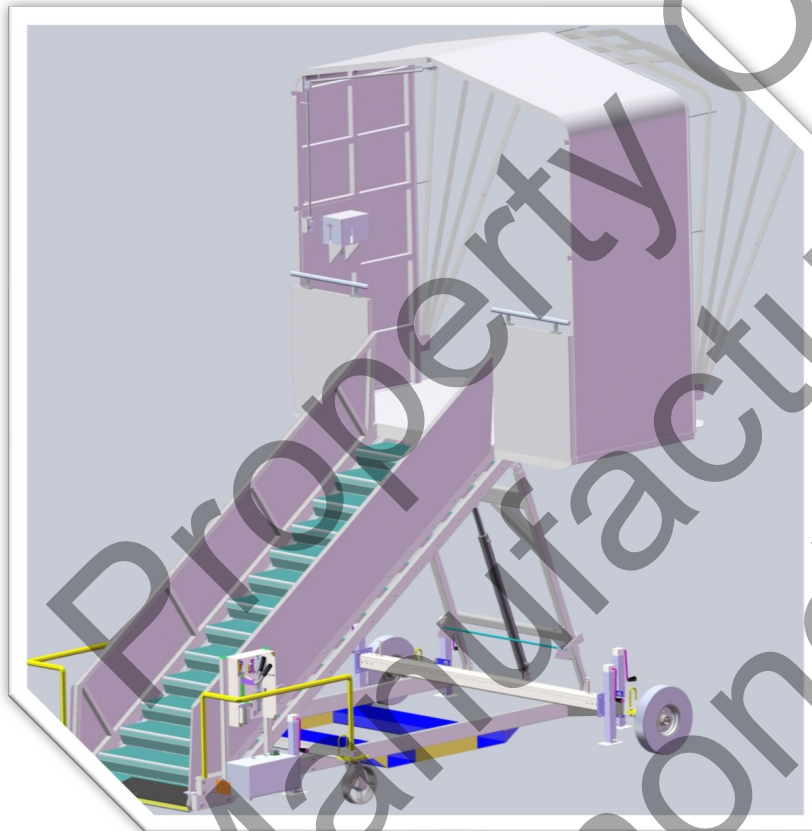
CASCADE GSE

A division of

KG MANUFACTURING LLC.

E119-GSE100 EXTERIOR

Model # E119-GSE100 Exterior
Service Stair



- 1000 Lb. Deck Capacity
- All Steel and Aluminum Construction
- Air/Hydraulic Platform Adjustment
- Safety Lock
- 4 Leveling/Stabilizing Jacks
- 2 Extendable Stabilizers
- Fork Lift Pockets
- 6.9X9 Solid Tires on the Plane End
- Locking Sliding Sides
- Non-Marking Bumpers
- Top Platform-Alum. Traction Tread
- Fiberglass Tread Covers
- 10" Swivel Caster with Poly Tread
- Stainless Steel Hand Rail
- Covered Side Walls
- Aluminum Weather Enclosure Cable Retractable
- Available with Tow Bar

MODEL NUMBER	PLATFORM HEIGHT	PLATFORM SIZE
E119-GSE100	8'4" to 10'4"	5' X 10'



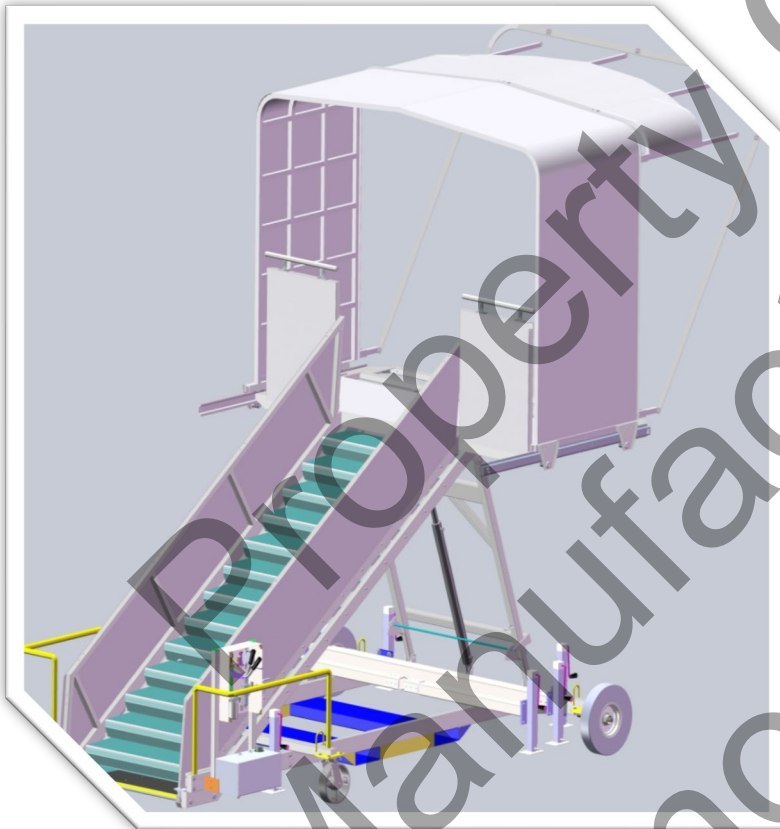
CASCADE GSE

A division of

KG MANUFACTURING LLC.

E119-RS120 EXTERIOR

Model # E119-RS120 Exterior
Service Stair



- 1000 Lb. Deck Capacity
- All Steel and Aluminum Construction
- Air/Hydraulic Platform Adjustment
- Safety Lock
- 4 Leveling/Stabilizing Jacks
- 2 Extendable Stabilizers
- Fork Lift Pockets
- 6.9X9 Solid Tires on the Plane End
- Locking Sliding Sides
- Non-Marking Bumpers
- Top Platform-Alum. Traction Tread
- Fiberglass Tread Covers
- 10" Swivel Caster with Poly Tread
- Stainless Steel Hand Rail
- Covered Side Walls
- Aluminum Sliding Weather Enclosure

MODEL NUMBER	PLATFORM HEIGHT	PLATFORM SIZE
E119-RS120	8' TO 10'	5' X 10'

CASCADE GSE

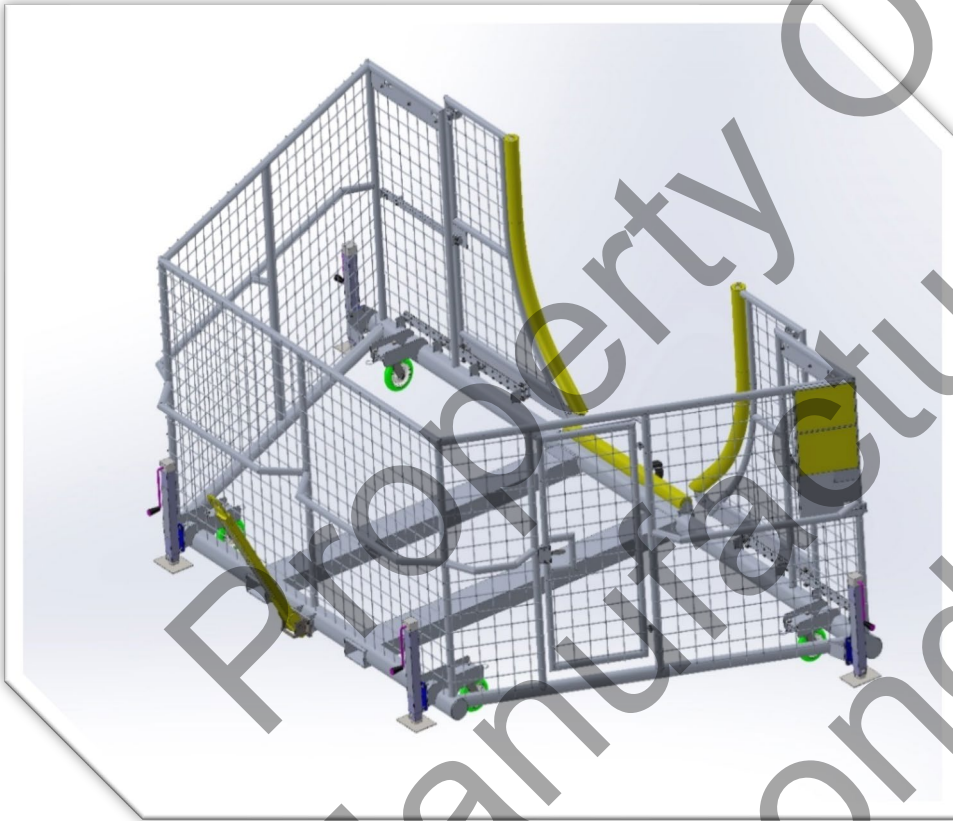
A division of

KG MANUFACTURING LLC.

737 ENGINE RUN FENCE

Model # 015-BOE-737MAX-ERF

SERVICE STAIR



- All Aluminum Construction
- All hardware is Stainless Steel
- 4" Screen Openings
- Sliding Gates to accommodate 737 MAX Engines
- Polyurethane foam bumper on all possible airplane contacts
- Locking Swivel Aluminum Casters with heavy duty polyurethane on all four corners
- 4 Hold Down Jacks
- Tow Bar
- Fork Pockets
- Grab Handles to move units
- Self closing man gates to access interior of unit when in use

MODEL NUMBER

Model #015-BOE-737MAX-ERF

CASCADE GSE

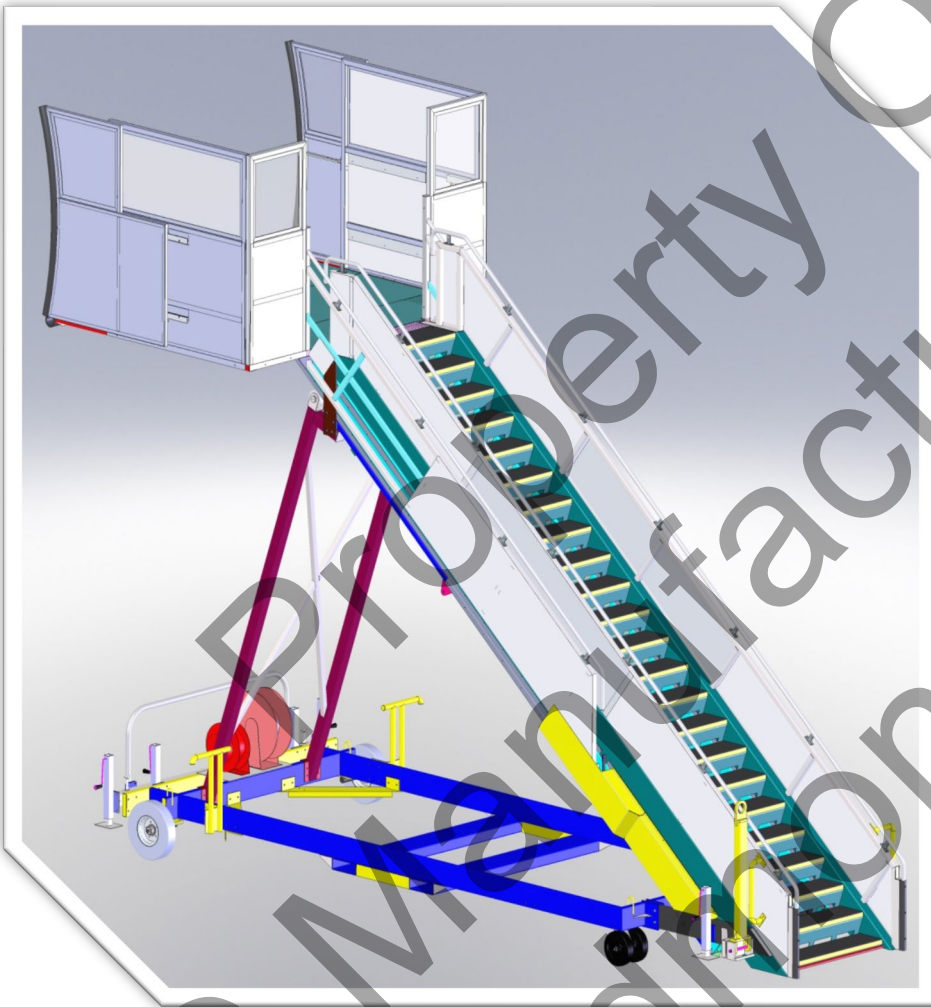
A division of

KG MANUFACTURING LLC.

747 PAX

Model # 011-BOE-747-PAX

Service Stair



- 2000 Lb. Deck Capacity
- All Steel and Aluminum Construction
- Air/Hydraulic Platform Adjustment
- 4 Leveling/Stabilizing Jacks
- 2 Extendable Stabilizers
- Fork Lift Pockets
- 6.9X9 Solid Tires on the Plane End
- Locking Sliding Sides
 - Option Door 1 and 2
 - Option Door 5 Left
 - Option Door 5 Right
- Non-Marking Bumpers
- Top Platform Alum. Traction Tread
- Fiberglass Tread Covers
- 12" Dual Wheel Casters
- Tow Bar (see page 138 for info)
- Stainless Steel Hand Rail
- Covered Side Walls
- Electrical and Air Supply Hose Reels
- Air and Electrical Supply at Deck

MODEL NUMBER

011-BOE-747-PAX

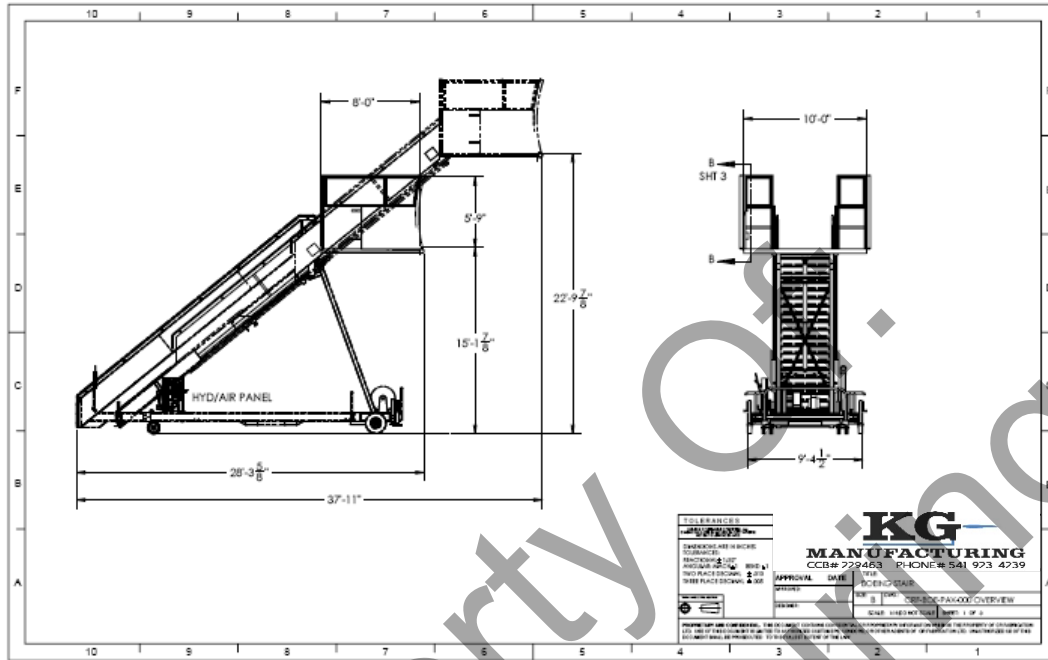
PLATFORM HEIGHT

15' to 22'10"

PLATFORM SIZE

10' x 8'

OVERVIEW DRAWINGS



CASCADE GSE

A division of

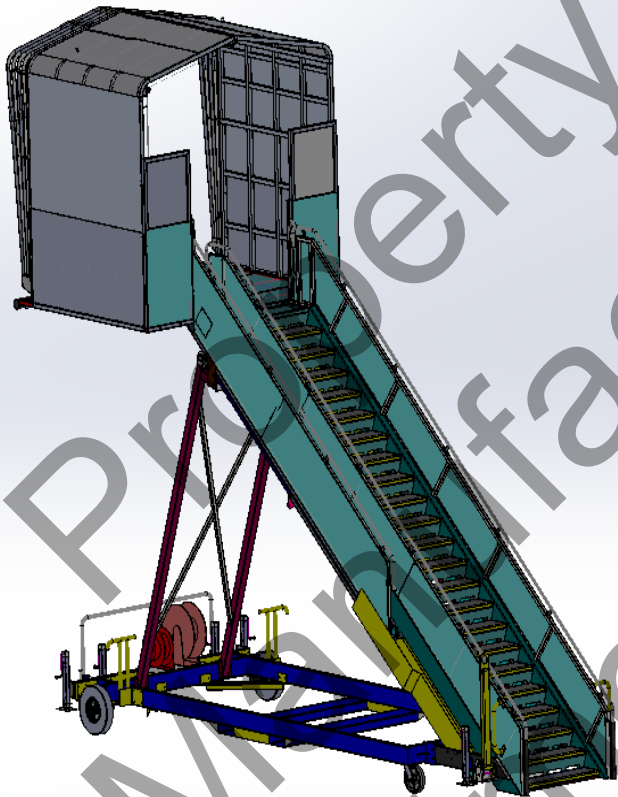
KG MANUFACTURING LLC.

747 PAX GSE 100EX

Model # 011-BOE-747-PAX-GSE-100EX

Service Stair

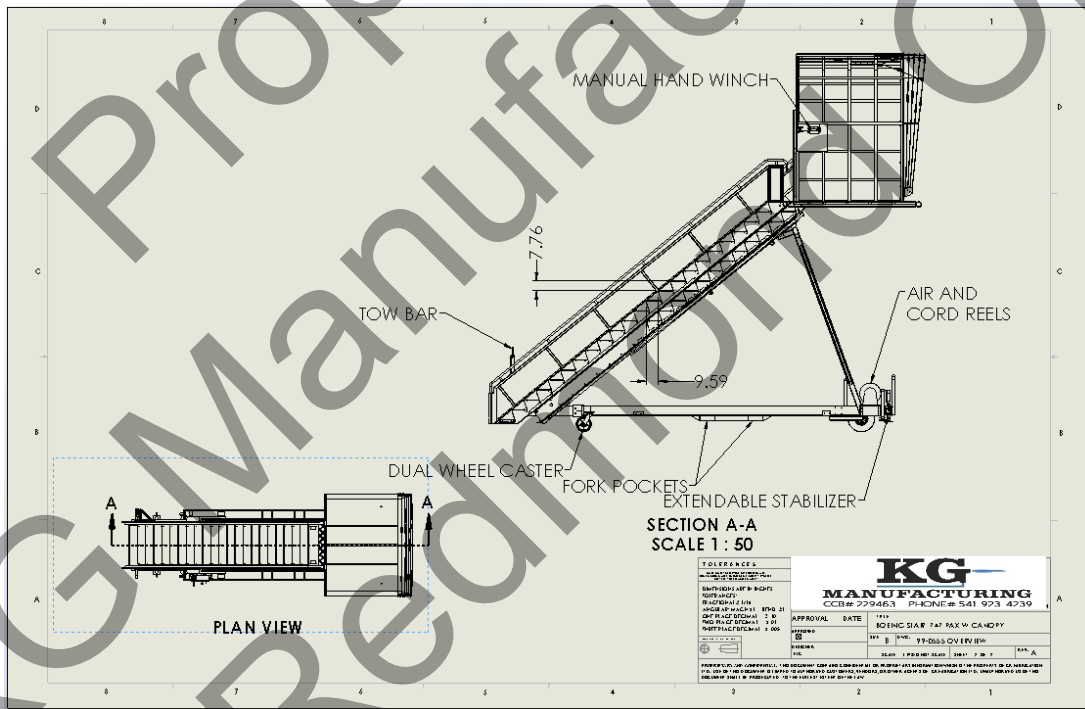
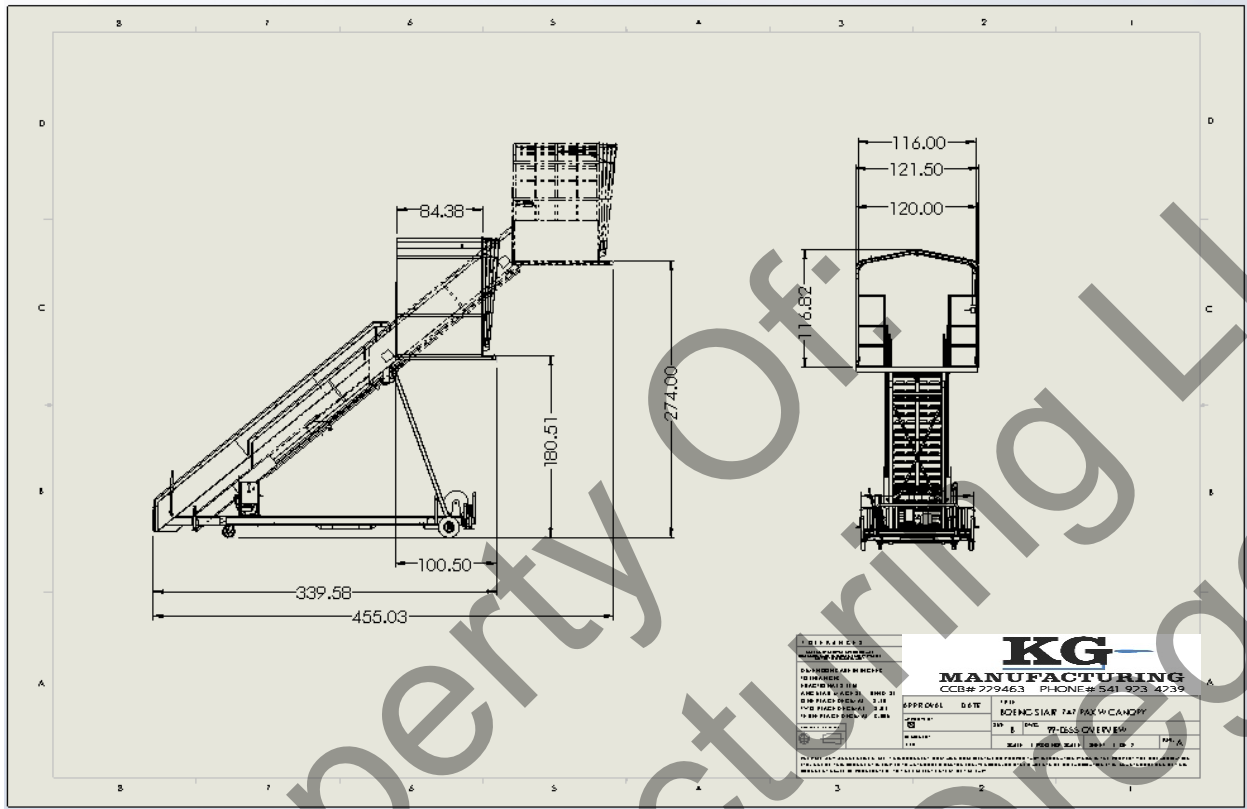
Shown is 747 PAX with Weather Enclosure



- 2000 Lb. Deck Capacity
- All Steel and Aluminum Construction
- Air/Hydraulic Platform Adjustment
- 4 Leveling/Stabilizing Jacks
- 2 Extendable Stabilizers
- Fork Lift Pockets
- 6.9X9 Solid Tires on the Plane End
- Updated Cable Actuated Weather Enclosure
- Non-Marking Bumpers
- Top Platform Alum. Traction Tread
- Fiberglass Tread Covers
- 12" Dual Wheel Casters
- Tow Bar
- Stainless Steel Hand Rail
- Covered Side Walls
- Electrical and Air Supply Hose Reels
- Air and Electrical Supply at Deck
- Cable Actuated Weather Enclosure

MODEL NUMBER	PLATFORM HEIGHT	PLATFORM SIZE
011-BOE-747-PAX	15' to 22'10"	10' x 8'

OVERVIEW DRAWINGS

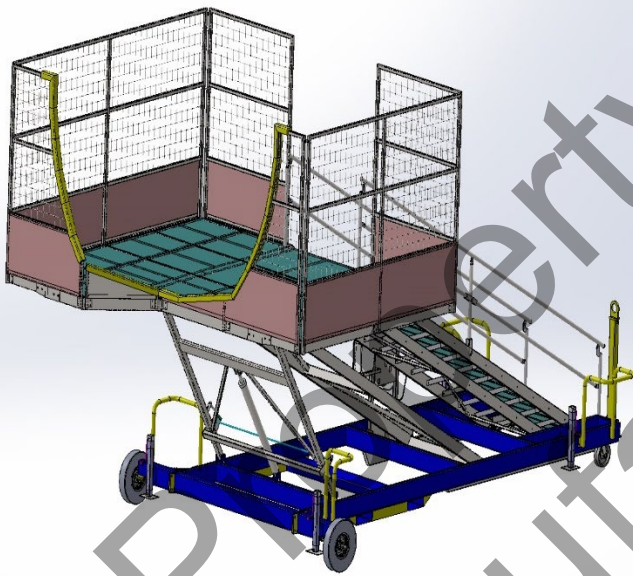


CASCADE GSE

A division of

KG MANUFACTURING LLC.

747 RADOME
Model # 013-BOE-747-RADOME
Service Stair



- 2000 Lb. Deck Capacity
- All steel and aluminum construction
- Air/Hydraulic platform adjustment
- 4 leveling/stabilizing jacks
- 6.9 x 9 Solid Tires on the plane end
- Non-marking bumpers
- polyurethane foam on guard rails in areas of potential plane contact
- Top platform – Alum traction tread
- Grip strut safety grating on stairs

MODEL NUMBER

013-BOE-747-RADOME

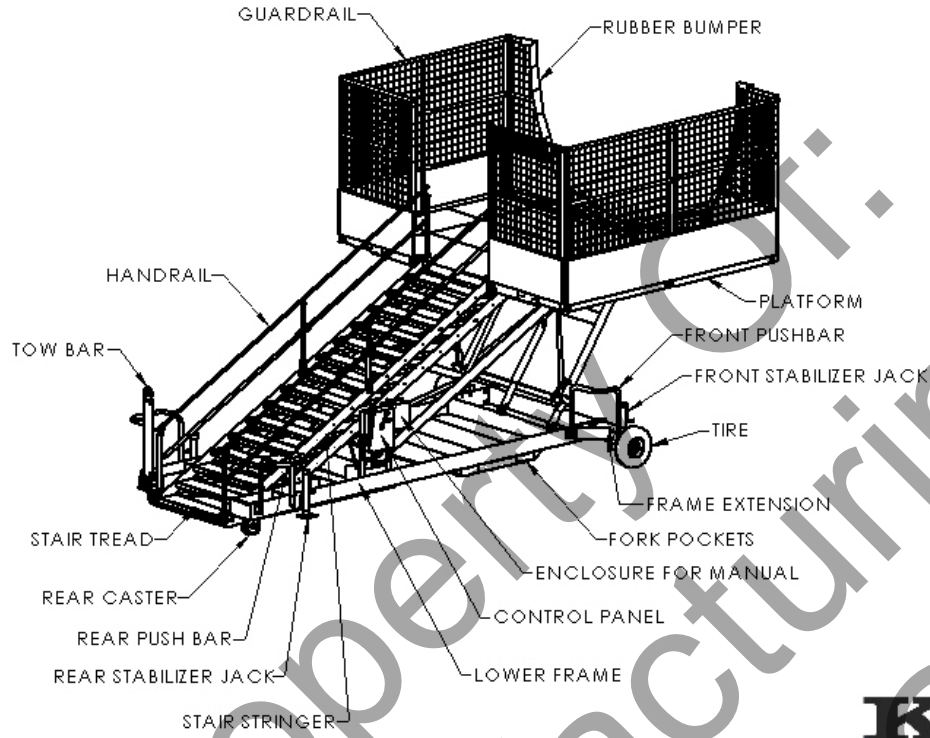
PLATFORM HEIGHT

106" TO 156"

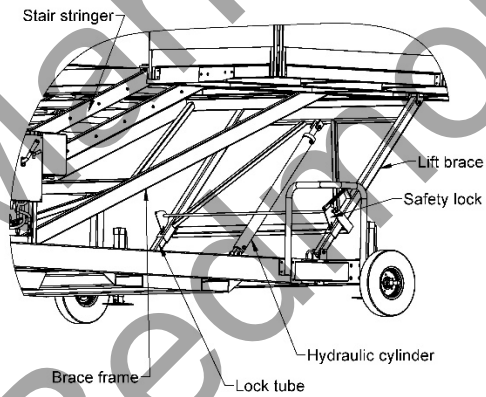
PLATFORM SIZE

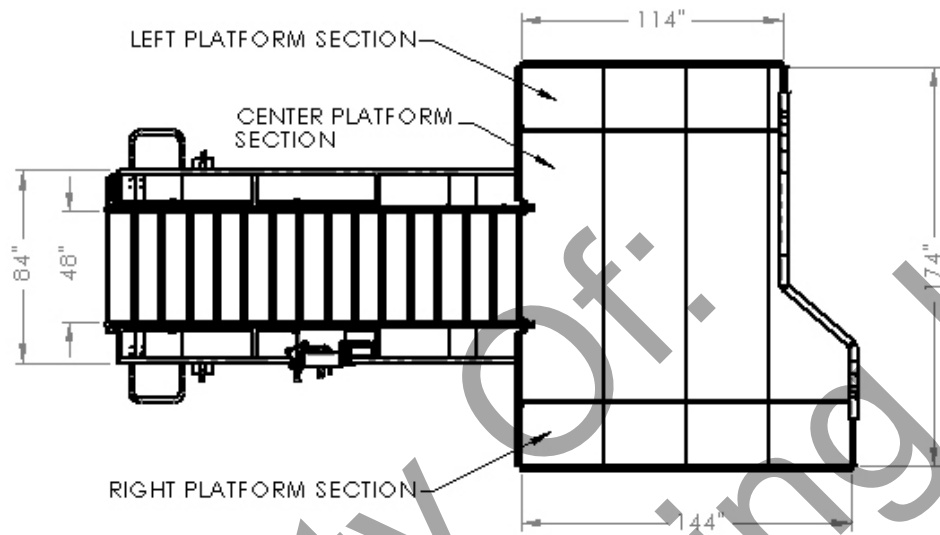
12' x 14'6"

OVERVIEW DRAWINGS

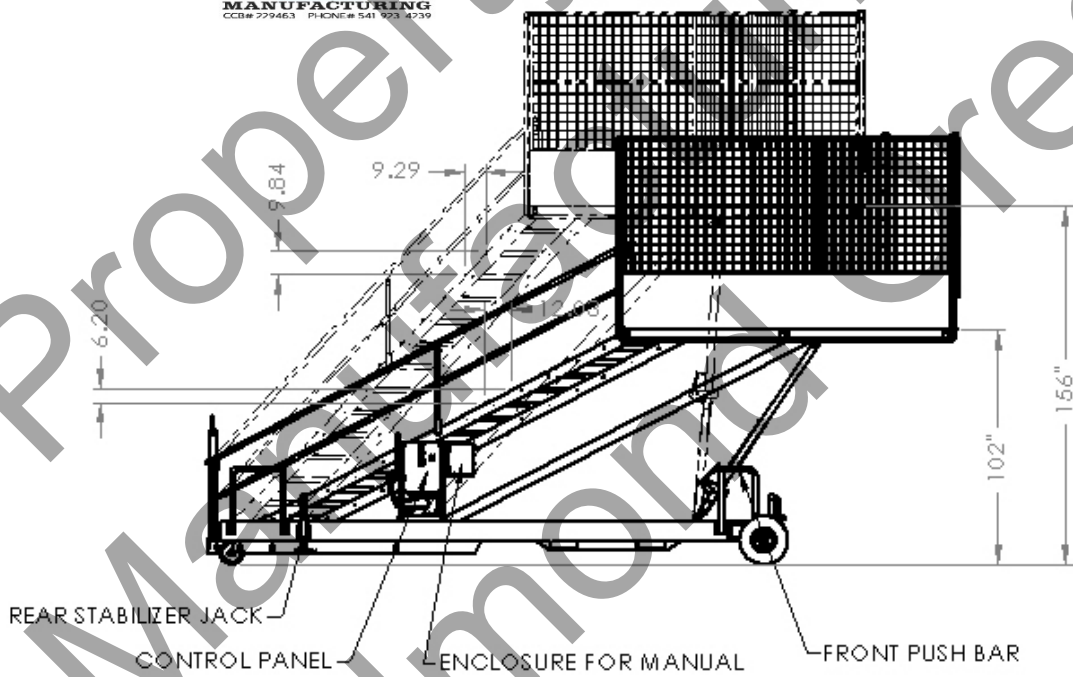


KG
MANUFACTURING
 CCB# 779463 PHONE# 541 923 4739





KG
MANUFACTURING
 CCB# 229463 PHONE# 541 933 4239



CASCADE GSE

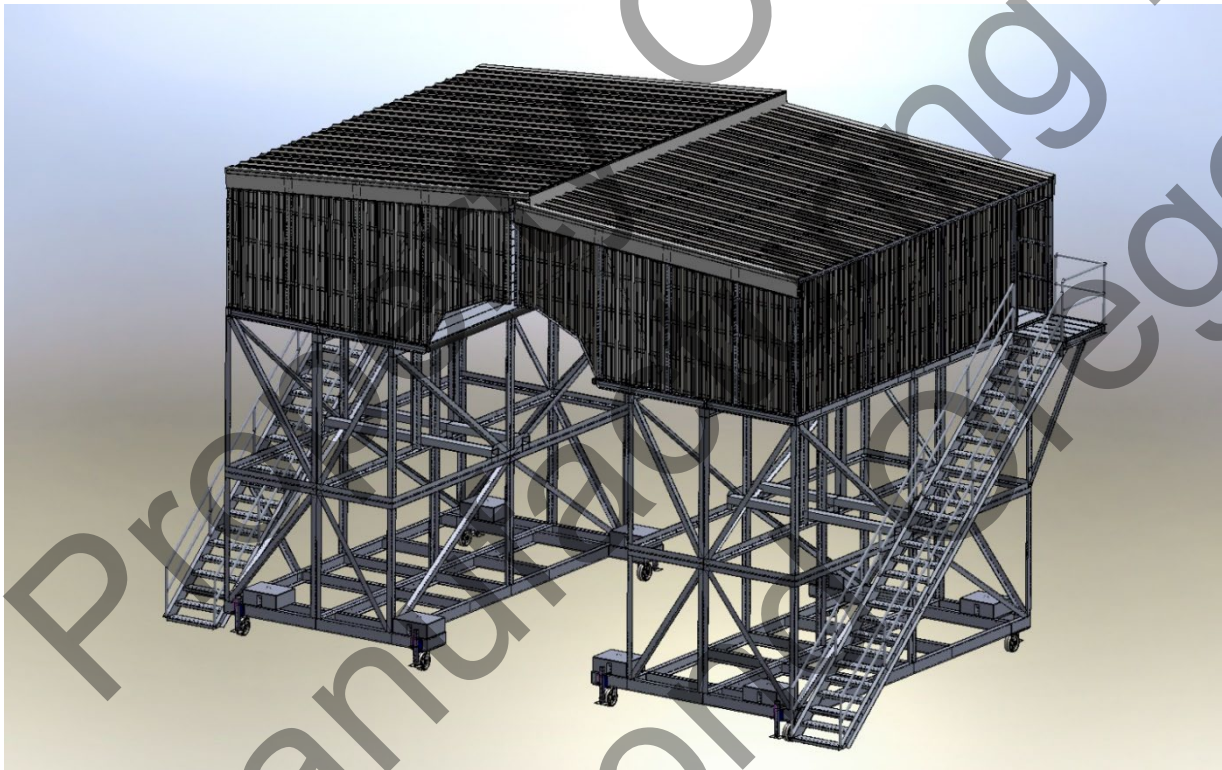
A division of

KG MANUFACTURING LLC.

757 SENSOR WING STAND

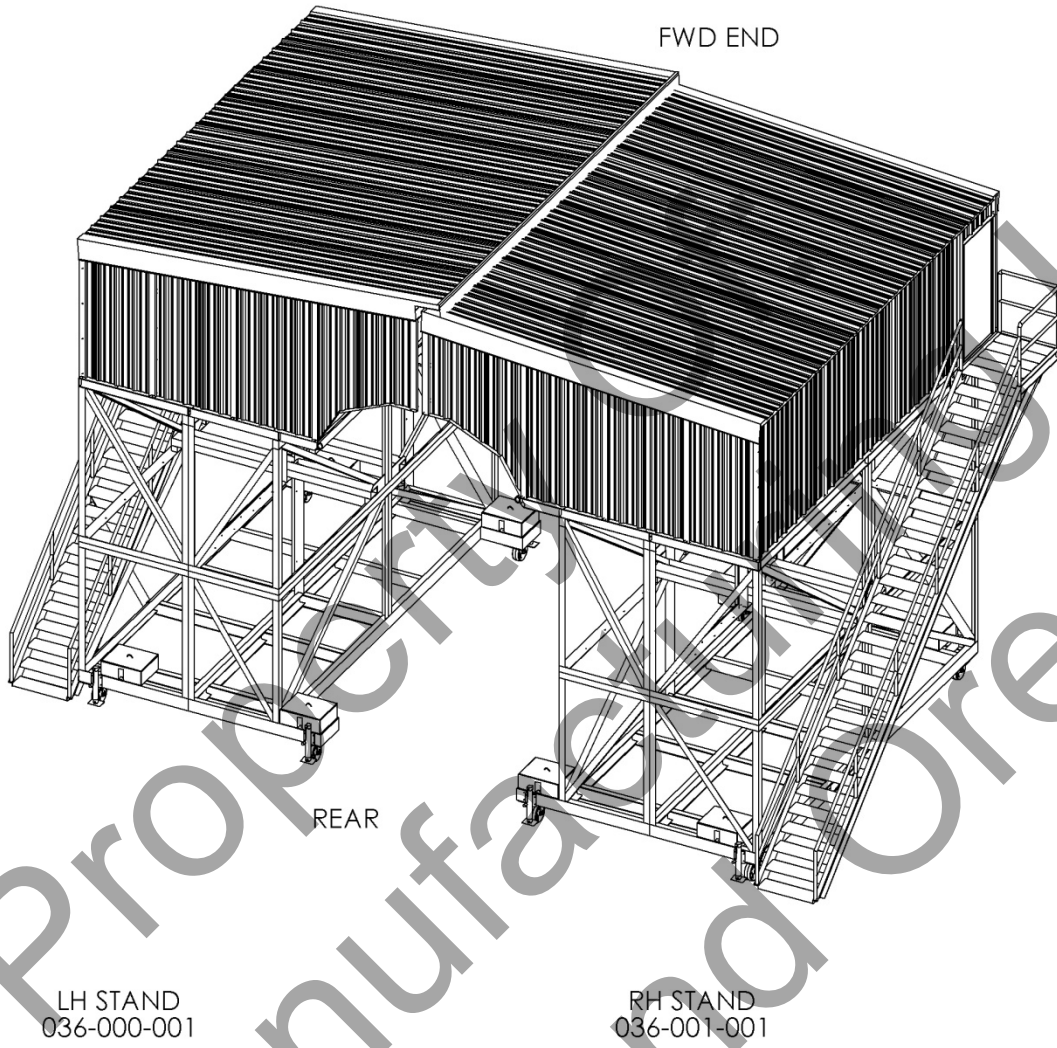
Model # 757 FTB SENSOR WING STAND

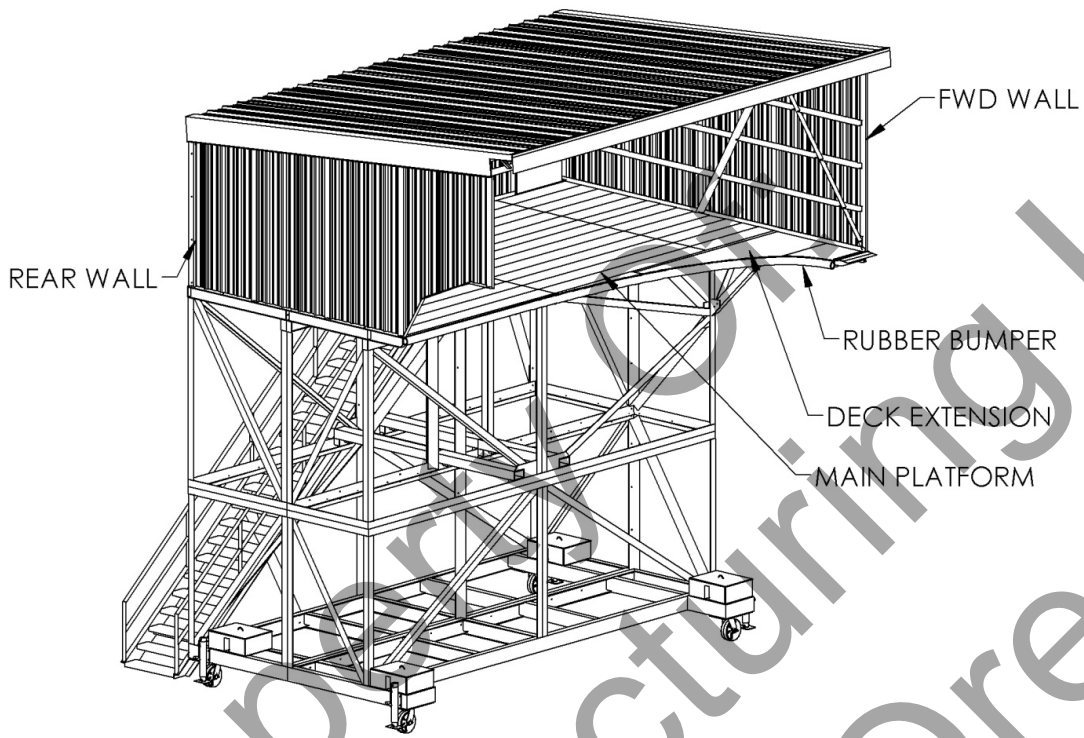
Service Stair



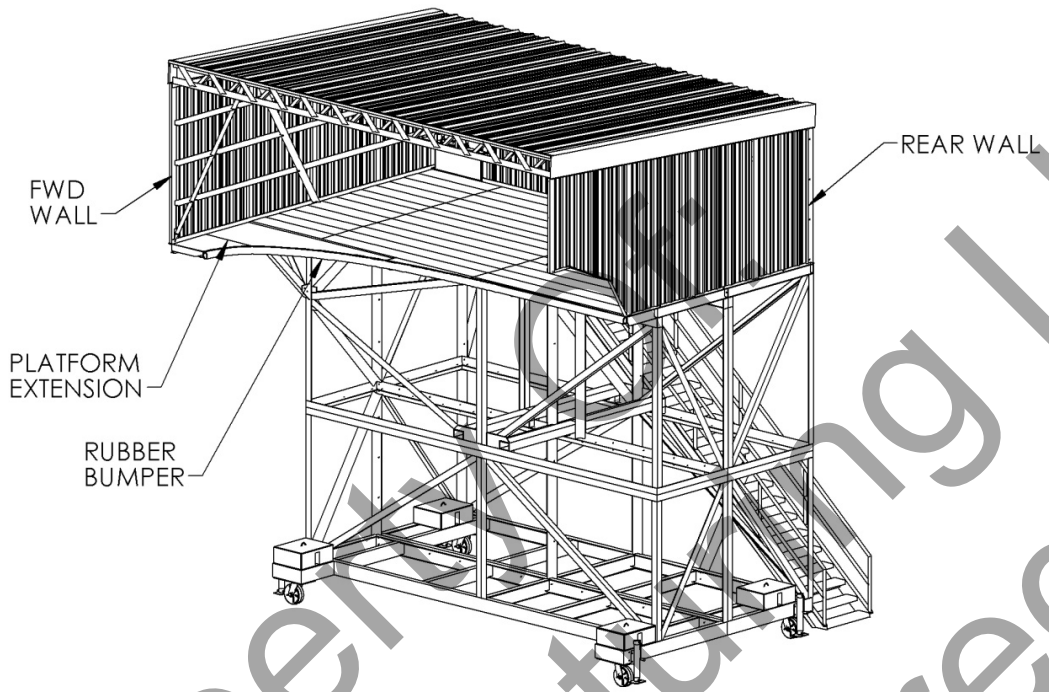
MODEL NUMBER	PLATFORM HEIGHT	PLATFORM SIZE
757 FTB SENSOR WING STAND	28'-6"	18'9" x 25'

OVERVIEW DRAWINGS





LH STAND
036-000-001



RH STAND
036-001-001

CASCADE GSE

A division of

KG MANUFACTURING LLC.

767 BDS TANKER FWD-ENTRY

Model # 014-BOE-767-FWD-ENTRY

Service Stair



- 3000 Lb. Deck Capacity
- All 6061 Aluminum Construction
- Aluminum Stair Treads
- 4 Leveling/Stabilizing Jacks
- 4 Heavy Duty 12 x 3 dual wheel swivel casters.
- Orange poly netting at deck opening and top of stairs.
- Yellow swing safety gates w/ modifications.
- Non-marking 60A Santoprene front bumper.
- Polyurethane foam pad at rail contact points with plane.
- Aluminum swaged grating Type 7-4 Deck.
- Removable handrail except at stair entry and plane side.
- Compressed air (4) 3/8 outlets in 2 locations on deck.
- 4 Explosion proof Class 1 Div. 1 receptacles on each side of deck.

MODEL NUMBER

014-BOE-767-FWD-ENTRY

PLATFORM HEIGHT

12'4" to 15'4"

PLATFORM SIZE

12' x 10'

CASCADE GSE

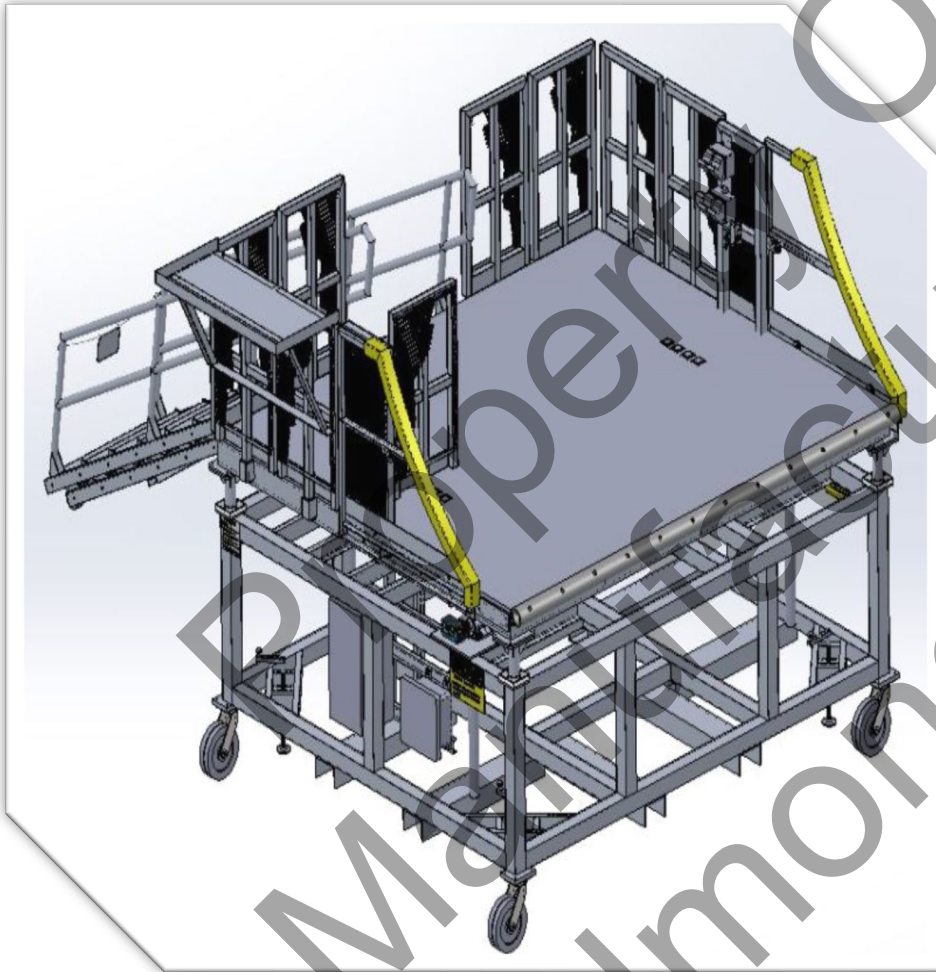
A division of

KG MANUFACTURING LLC.

767 BDS FWD CARGO

Model # 014-BOE-767-FWD-CARGO

Service Stair



- 3000 Lb. Deck Capacity
- All 6061 Aluminum Construction
- Aluminum Stair Treads
- 4 Leveling/Stabilizing Jacks
- 4 Heavy Duty 12 x 3 dual wheel swivel casters.
- Orange poly netting at deck opening and top of stairs.
- Yellow swing safety gates w/ modifications.
- Non-marking 60A Santoprene front bumper.
- Polyurethane foam pad at rail contact points with plane.
- Aluminum swaged grating Type 7-4 Deck.
- Removable handrail except at stair entry and plane side.
- Compressed air (4) 3/8 outlets in 2 locations on deck.
- 4 Explosion proof Class 1 Div. 1 receptacles on each side of deck.
- Removable shelf 60" long 24" deep with 3" back and side lip.

**MODEL
NUMBER**

014-BOE-767-FWD-CARGO

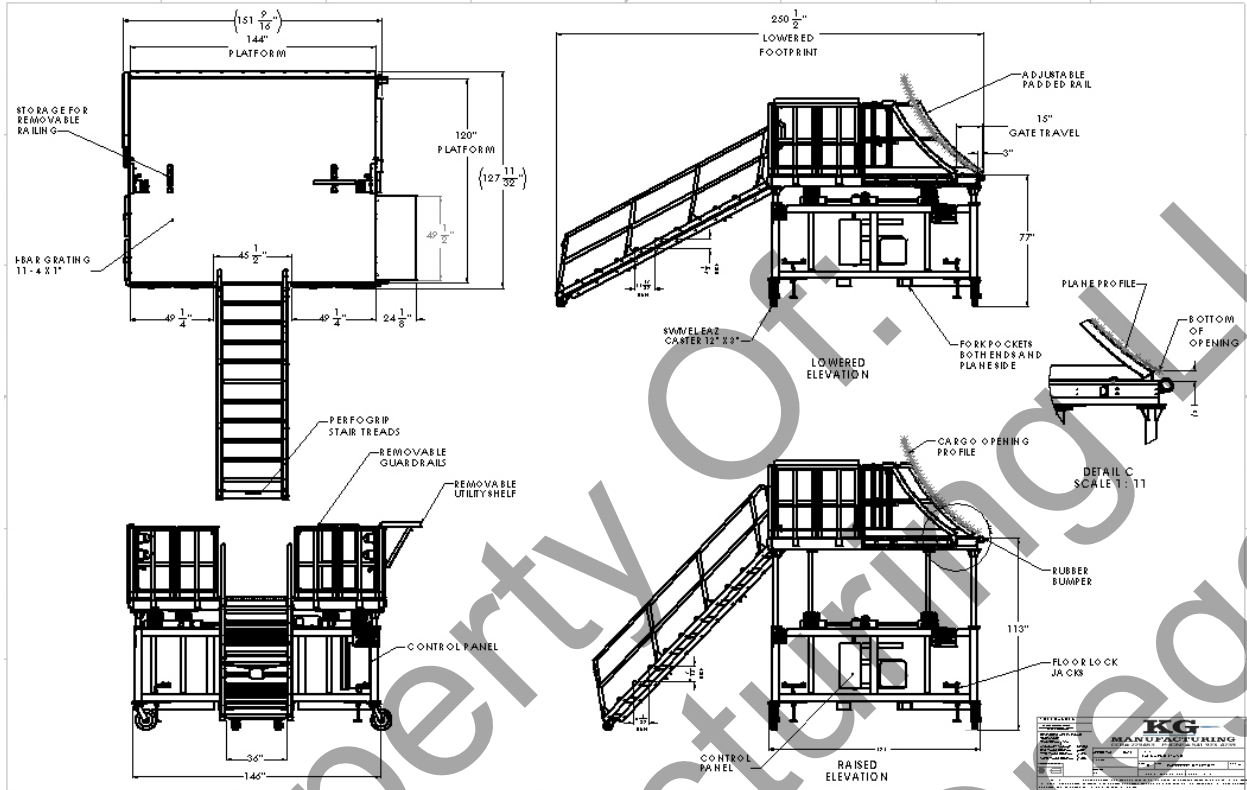
**PLATFORM
HEIGHT**

6'4" to 9'4"

**PLATFORM
SIZE**

12' x 10'

OVERVIEW DRAWINGS

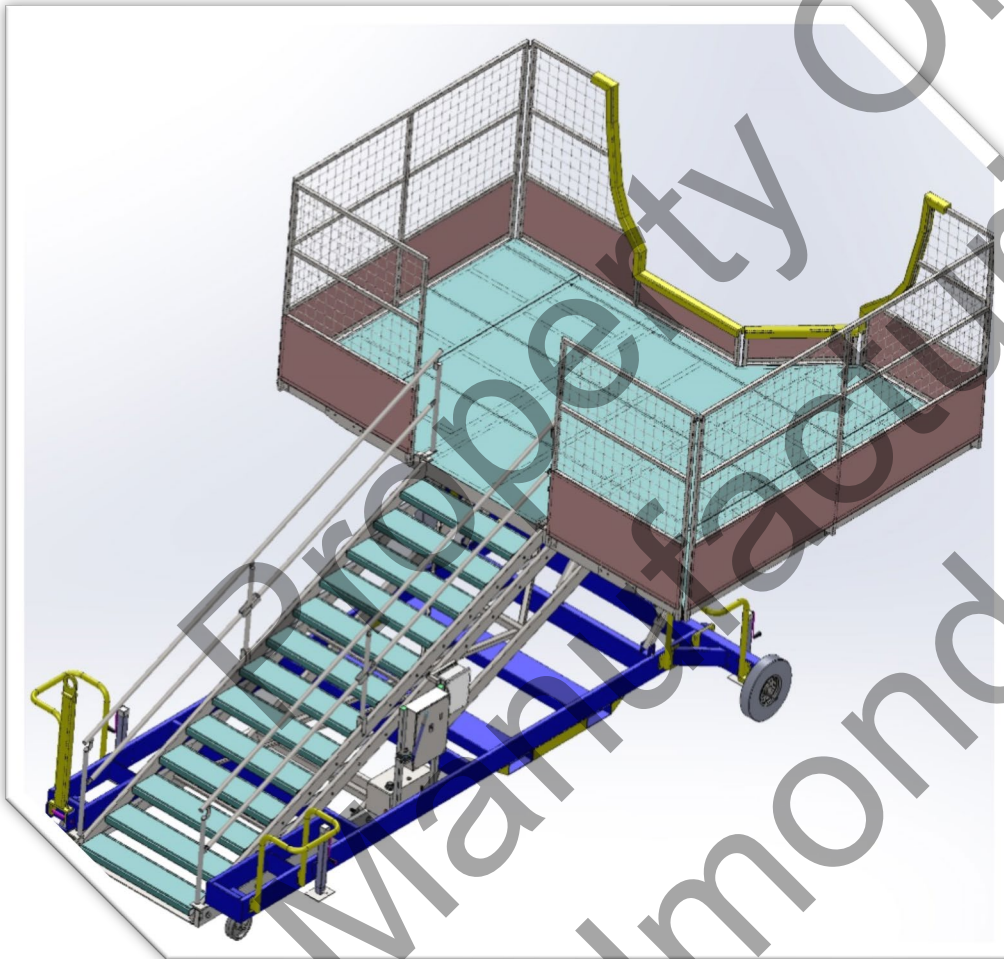


CASCADE GSE

A division of

KG MANUFACTURING LLC.

767 RADOME
 Model # 012-BOE-767-Radome
 Service Stair



- 2000 Lb. Deck Capacity
- All Steel and Aluminum Construction
- Air/Hydraulic Platform Adjustment
- 4 Leveling/Stabilizing Jacks
- 6.9X9 Solid Tires on the Plane End
- Non-Marking Bumpers
- Polyurethane Foam on Guard Rails in areas of potential plane contact
- Top Platform-Alum. Traction Tread
- Grip Strut Safety Grating on Stairs
- Tow Bar

MODEL NUMBER

012-BOE-767-Radome

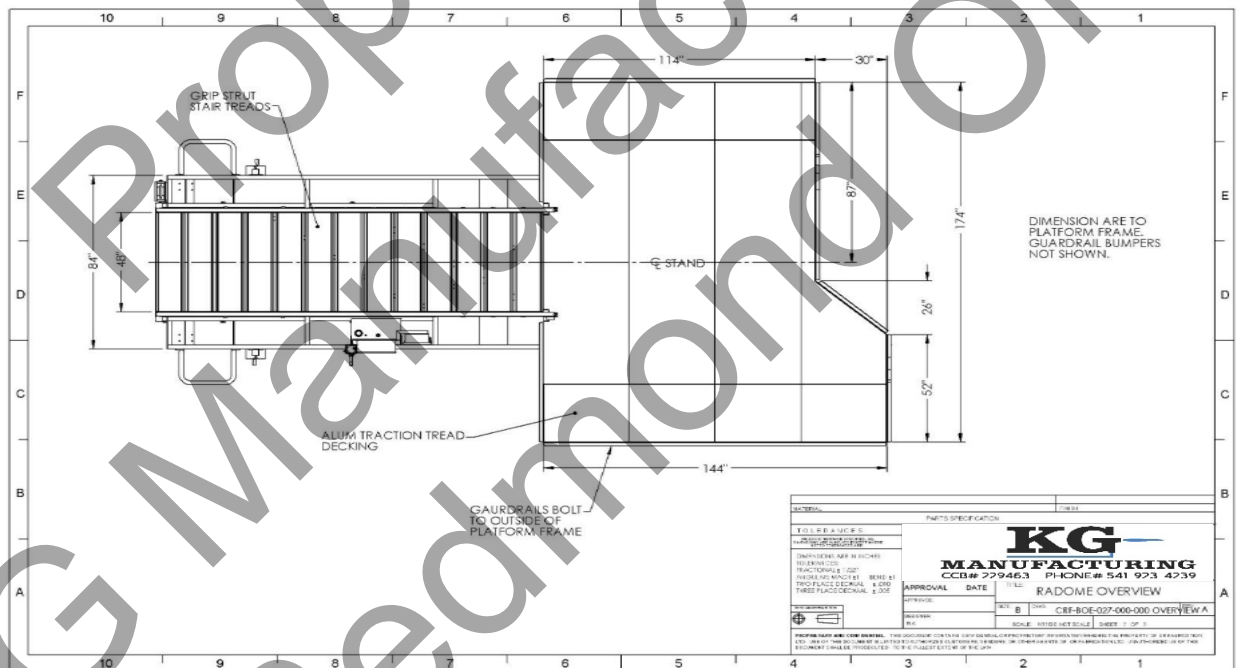
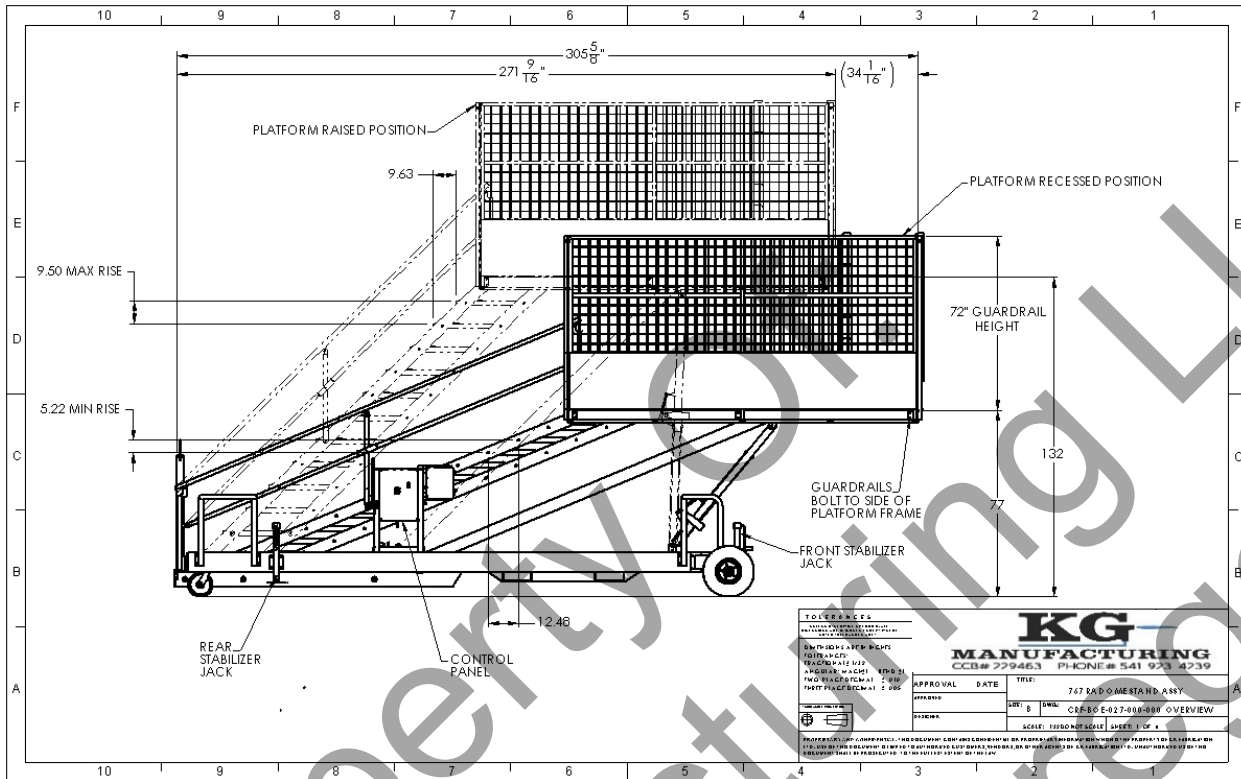
PLATFORM HEIGHT

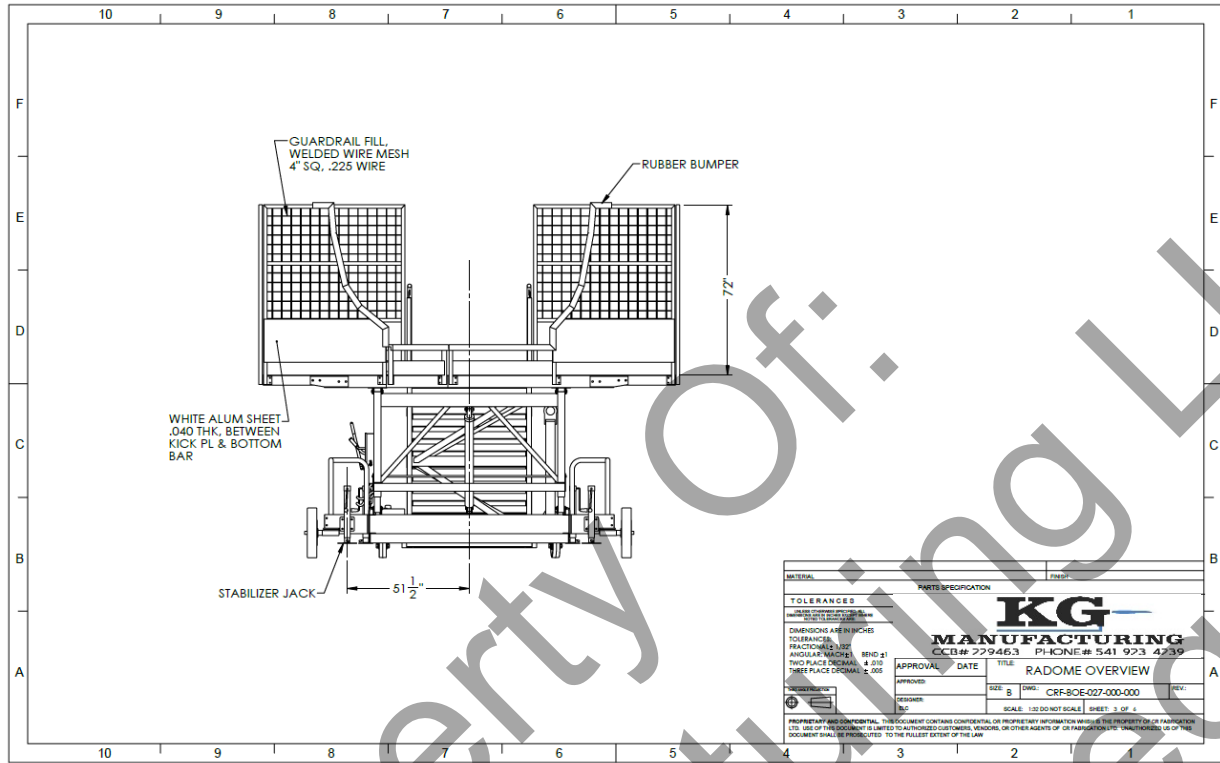
6'-5" to 11'-0"

PLATFORM SIZE

14'-6" X 12'

OVERVIEW DRAWINGS







KG Manufacturing Co. Inc.

CASCADE GSE

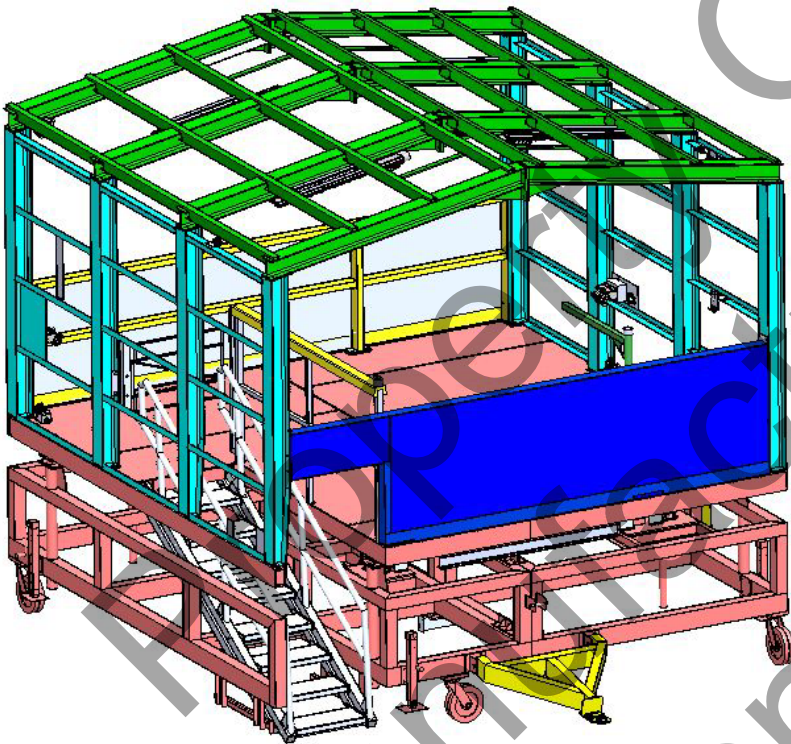
A division of

KG MANUFACTURING LLC.

767 WINGTIP REPLACEMENT STAND

Model # 010-BOE-WTS-AL

Service Stand



- 2000 LB Deck Capacity
- Steel and Aluminum Construction
- 2 Tow Bars
- Side Crank Jacks
- Exp Proof Motor Control Box
- Electrical Cord Hanger
- Meets ANSI Fall Arrest Spes. 2359.1-2007

MODEL NUMBER

010-BOE-WTS-AL

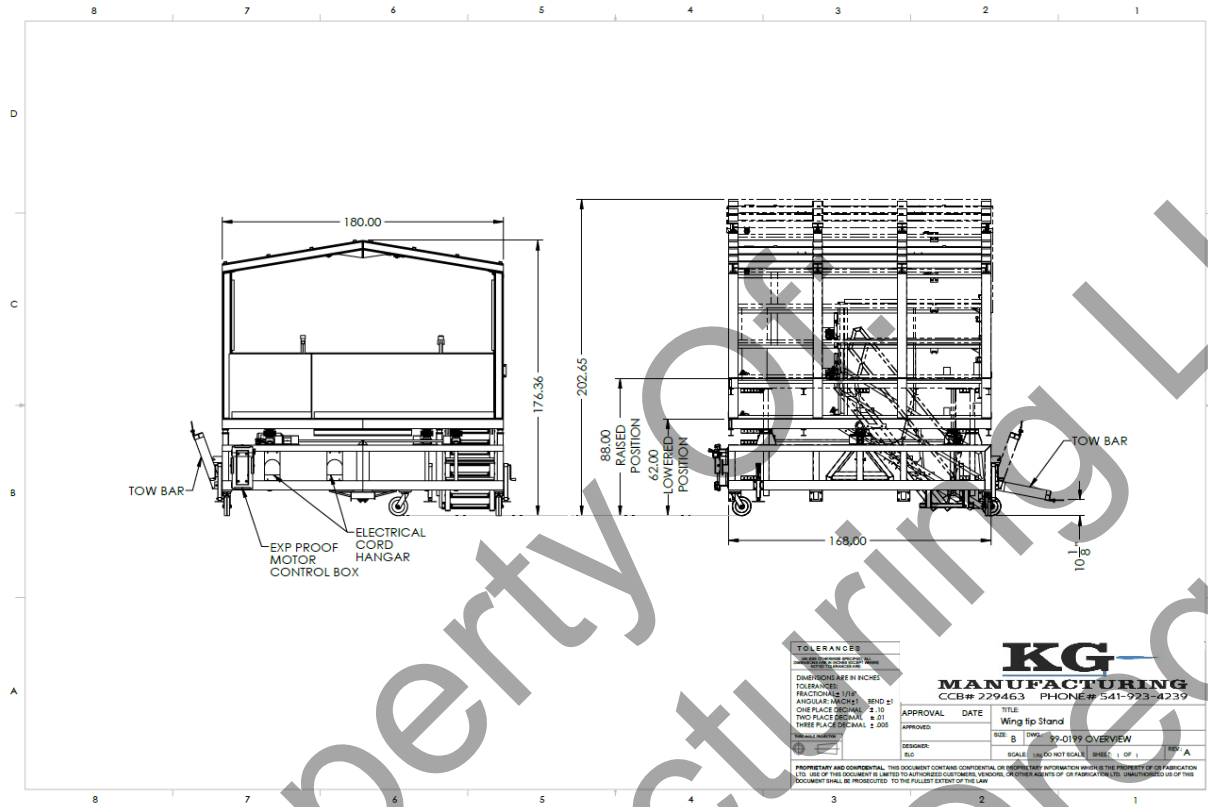
PLATFORM HEIGHT

62" to 88"

PLATFORM SIZE

14' x 15'

OVERVIEW DRAWINGS





CASCADE GSE

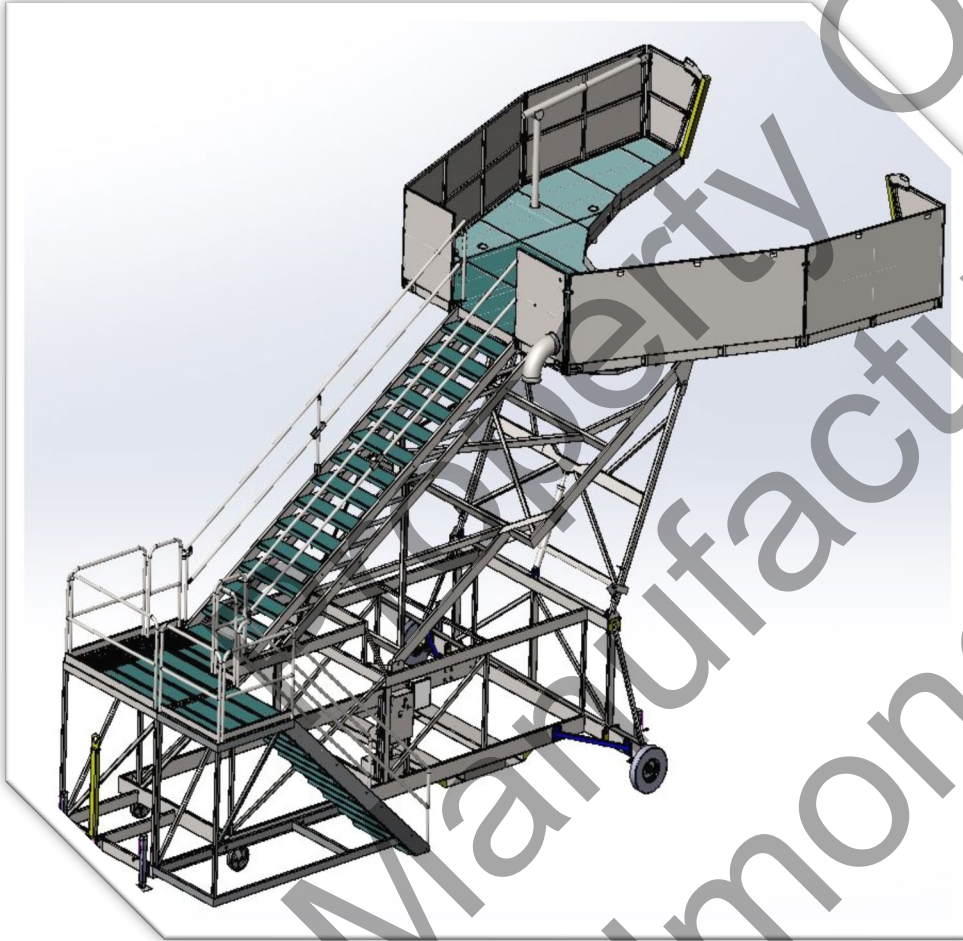
A division of

KG MANUFACTURING LLC.

777 WINDSHEILD

Model # 015-BOE-777-WINDSHIELD

Service Stair



- 2000 Lb. Deck Capacity.
- Steel and Aluminum Construction.
- Air over Hydraulic platform adjustment
- 1/8 Aluminum punch plate deck mat.
- Steel Grip Strut steps without kick plate.
- Stainless Steel Hardware.
- Removable Dabit Crane w/500 Lb. Lifting capacity.
- 4-7000 Lb. Leveling/Stabilizing Jacks
- Heavy Duty polyurethane on aluminum casters.
- 6.9X9 Solid non marking tires.
- Non-Marking 60A Santoprene front bumper.
- Polyurethane foam pad at rail contact points with plane
- Fork lift pockets.
- Air and Water at deck.

**MODEL
NUBER**

015-BOE-777-WINDSHIELD

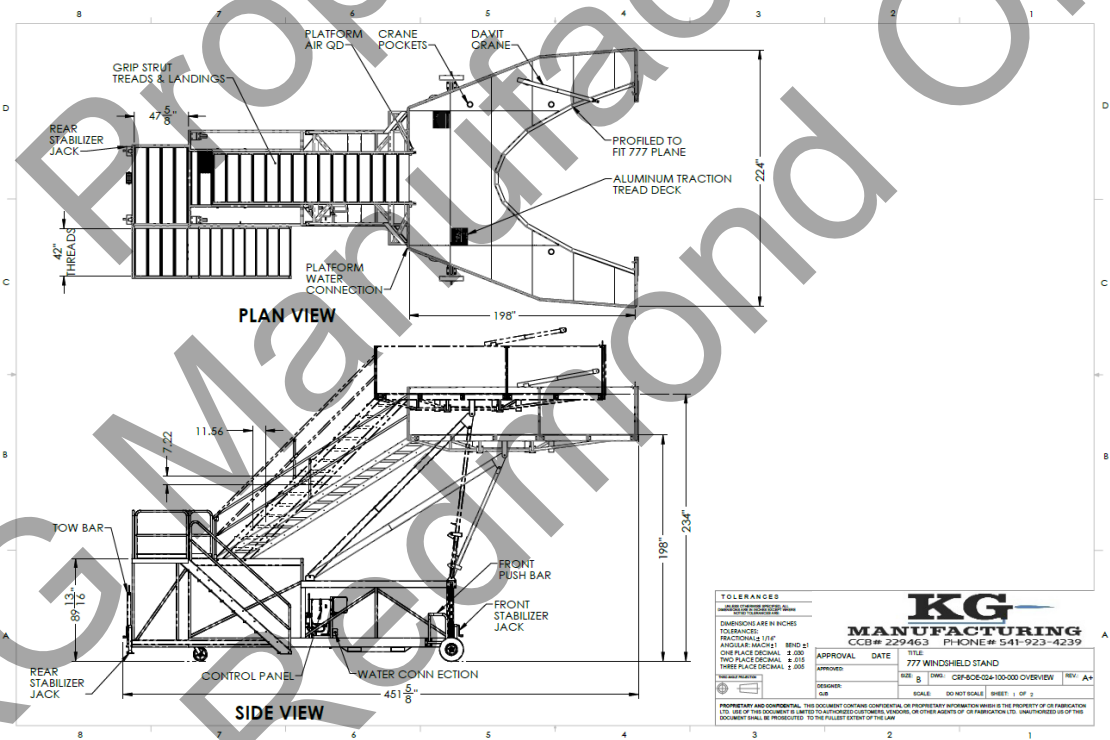
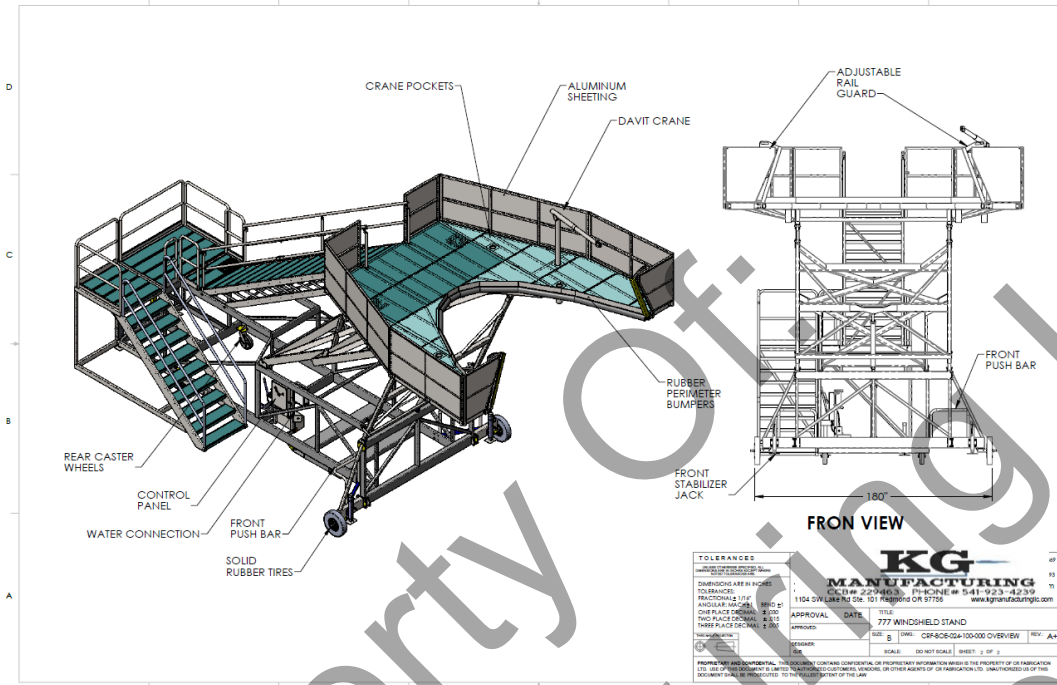
**PLATFORM
HEIGHT**

16'5" to 19'5"

**PLATFORM
SIZE**

18'8" x 16'6"

OVERVIEW DRAWINGS



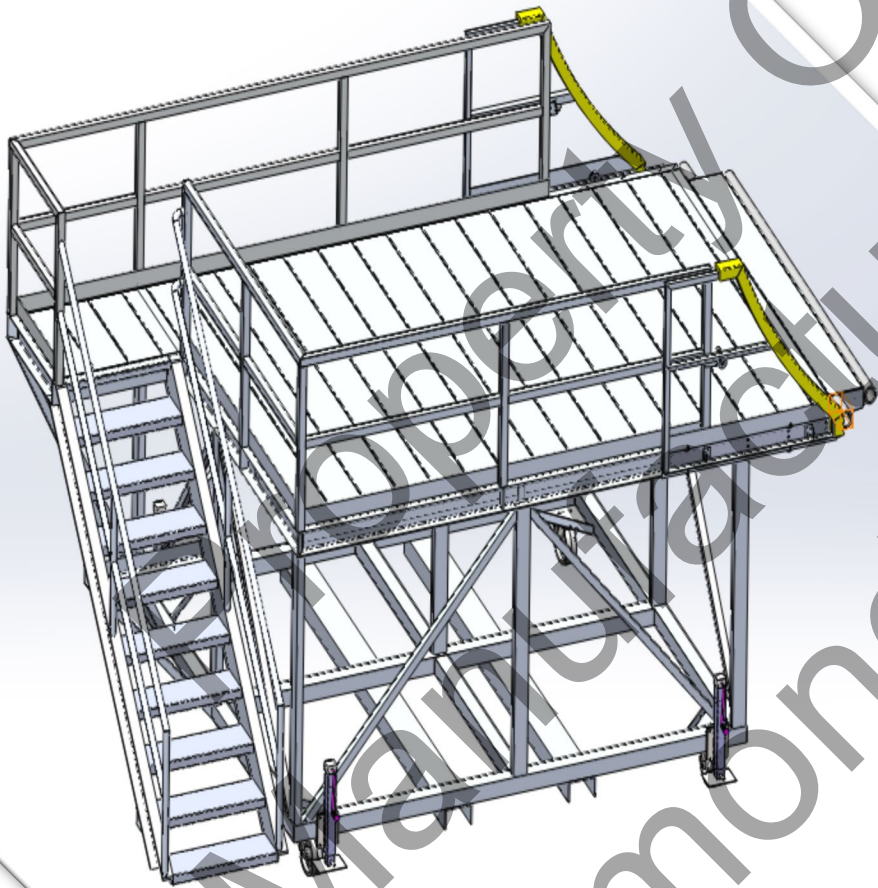
CASCADE GSE

A division of

KG MANUFACTURING LLC.

87 FIXED

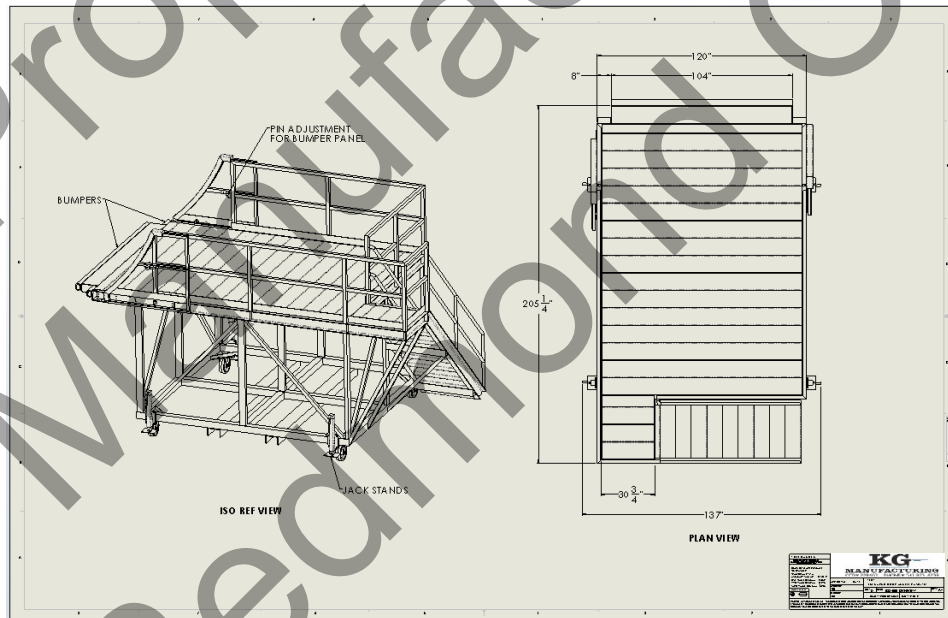
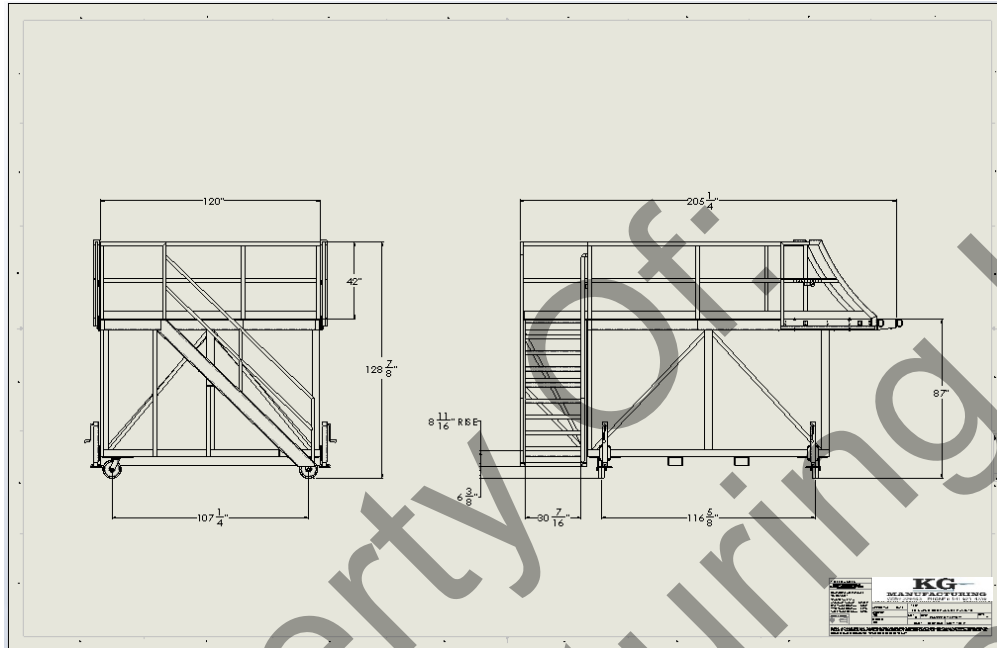
Model # 013-BOE-87-FIXED
SERVICE STAND



- 1000 Lb. Deck Capacity, plus 1000lb in area indicated for door jack.
- All Aluminum Construction.
- Grip Strut Aluminum steps without kick plate.
- 1/8 Aluminum punch plate deck mat.
- Fixed Guard rail on deck.
- Open handrail construction.
- Stainless Steel Hardware
- 4 Leveling/Stabilizing Jacks
- 4 Heavy Duty Polyurethane on Aluminum Casters.
- Non-marking Santoprene front bumper.
- Polyurethane pad at rail contact points with plane.

MODEL NUMBER	PLATFORM HEIGHT	PLATFORM SIZE
013-BOE-87-FIXED	Fixed at 7'4"	10' x 14'

OVERVIEW DRAWINGS





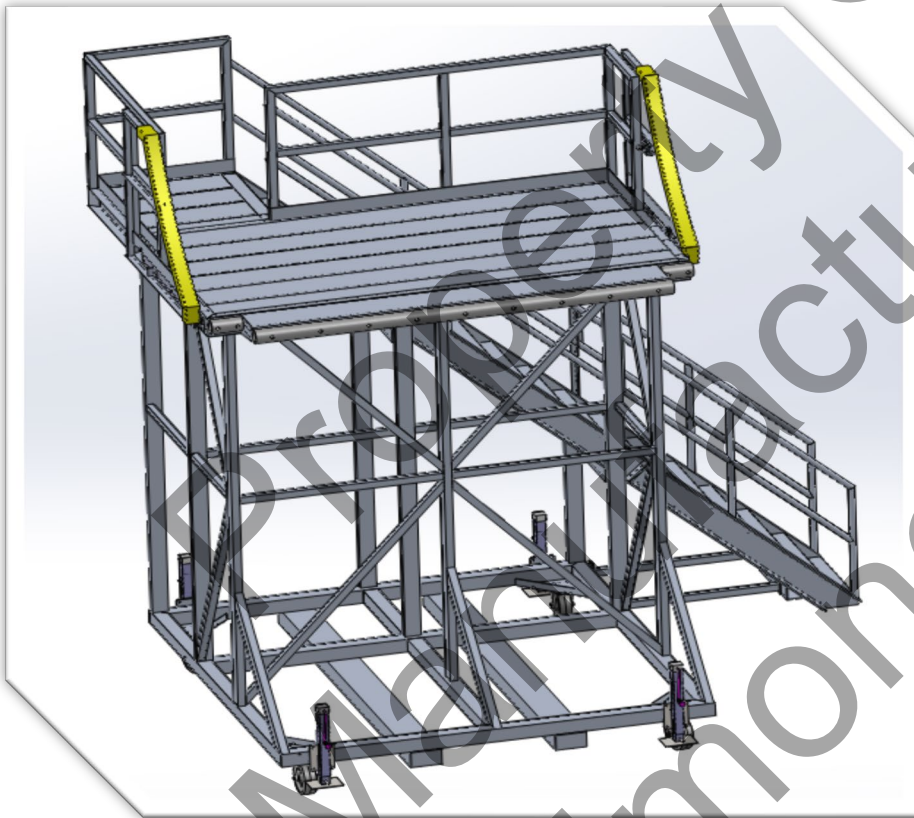
CASCADE GSE

A division of

KG MANUFACTURING LLC.

787 CARGO FIXED STAND

Model # 013-BOE-151-FIXED
SERVICE STAND



- 1000 Lb. Deck Capacity.
- All Aluminum Construction.
- Grip Strut Aluminum steps without kick plate.
- 1/8 Aluminum punch plate deck mat.
- Fixed Guard rail on deck.
- Open handrail construction.
- Stainless Steel Hardware
- 4 Leveling/Stabilizing Jacks
- 4 Heavy Duty Polyurethane on Aluminum Casters.
- Non-marking Santoprene front bumper.
- Polyurethane pad at rail contact points with plane.

MODEL NUMBER

013-BOE-151-FIXED

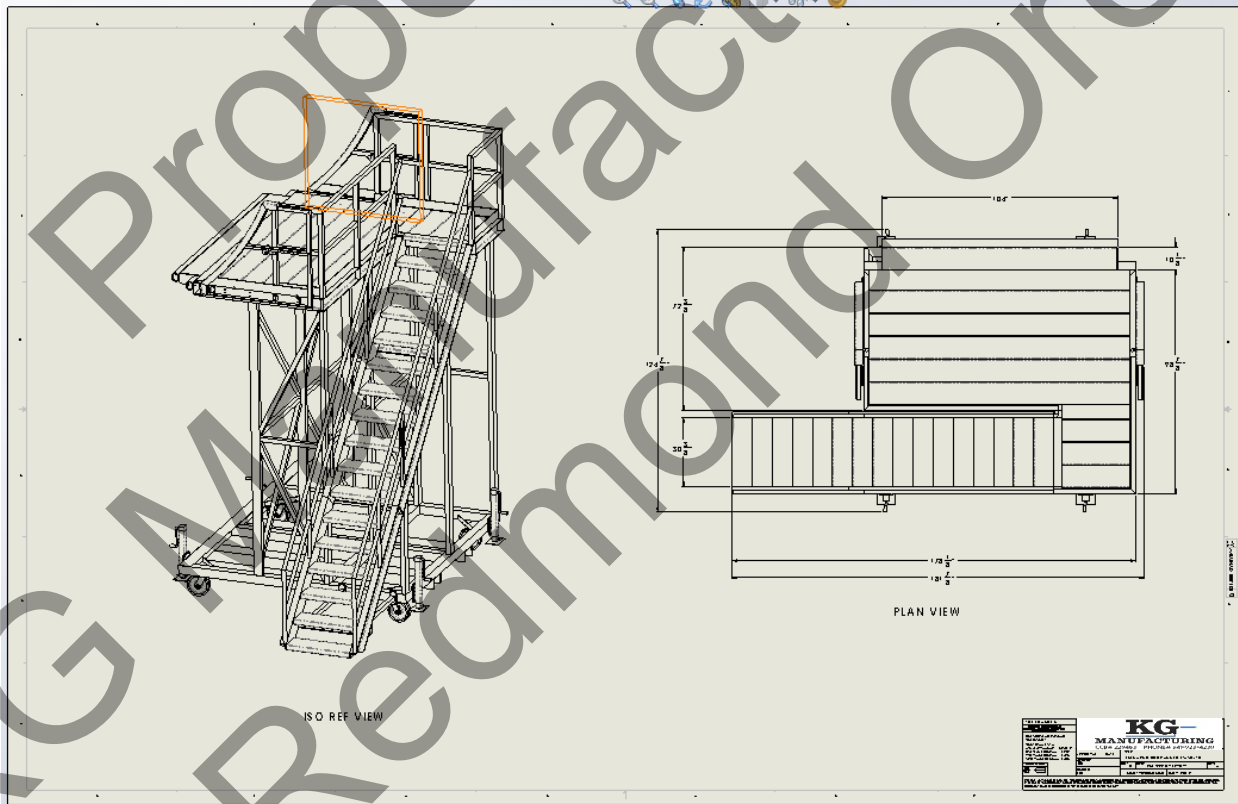
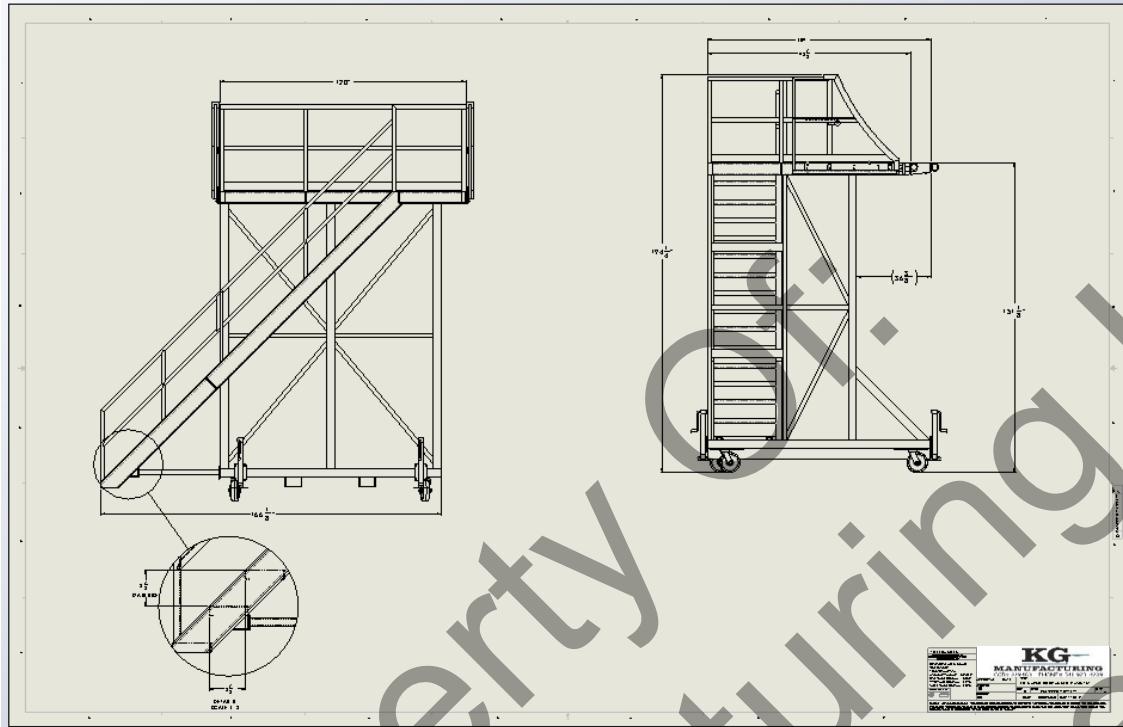
PLATFORM HEIGHT

Fixed at 12'7"

PLATFORM SIZE

10' x 6'

OVERVIEW DRAWINGS

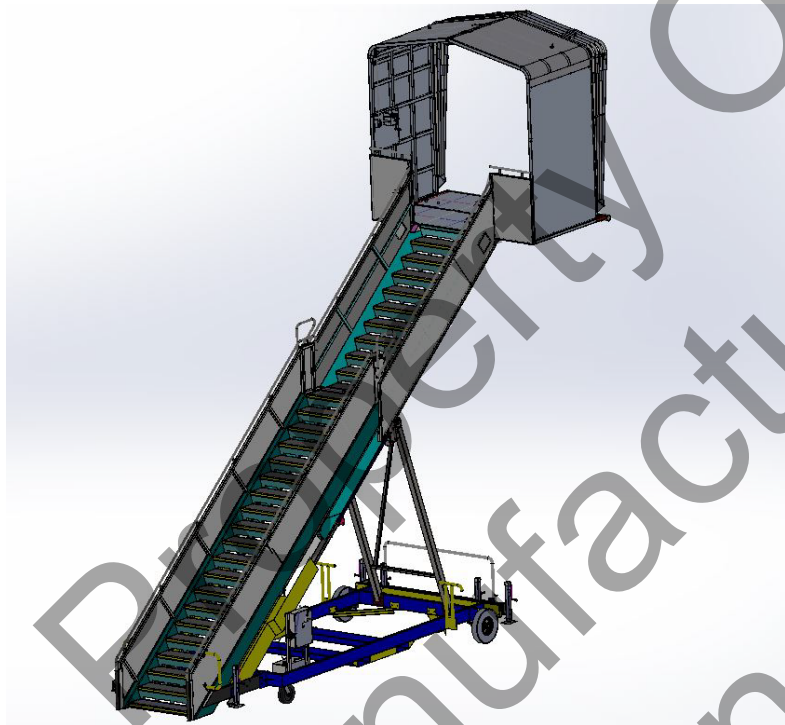


CASCADE GSE

A division of

KG MANUFACTURING LLC.

787 EXTERIOR TALL
Model # 016-BOE-787-EXT
Service Stair



- 2000 lb> Deck Capacity
- All Steel and Aluminum Construction
- Air/Hydraulic Platform Adjustment
- Safety Locks
- 4 Leveling/Stabilizing jacks
- 2 Extendable Stabilizers
- Fork Lift Pockets
- 6.9 x 9 Solid Tires on the Plane End
- Non-Marking Bumpers
- Top Platform – Alum. Traction Tread
- Fiberglass Tread Covers
- 12” Swivel Cater with Poly Tread
- Tow Bar
- Stainless Steel Hand Rail
- Covered side walls
- Updated Cable Actuated Weather Enclosure

MODEL NUMBER

016-BOE-787-EXT

PLATFORM HEIGHT

13' to 16'6"

PLATFORM SIZE

6' x 10'

OVERVIEW DRAWINGS

Drawings to come

KG Property Of.
Redmond Manufacturing LLC
Redmond Oregon

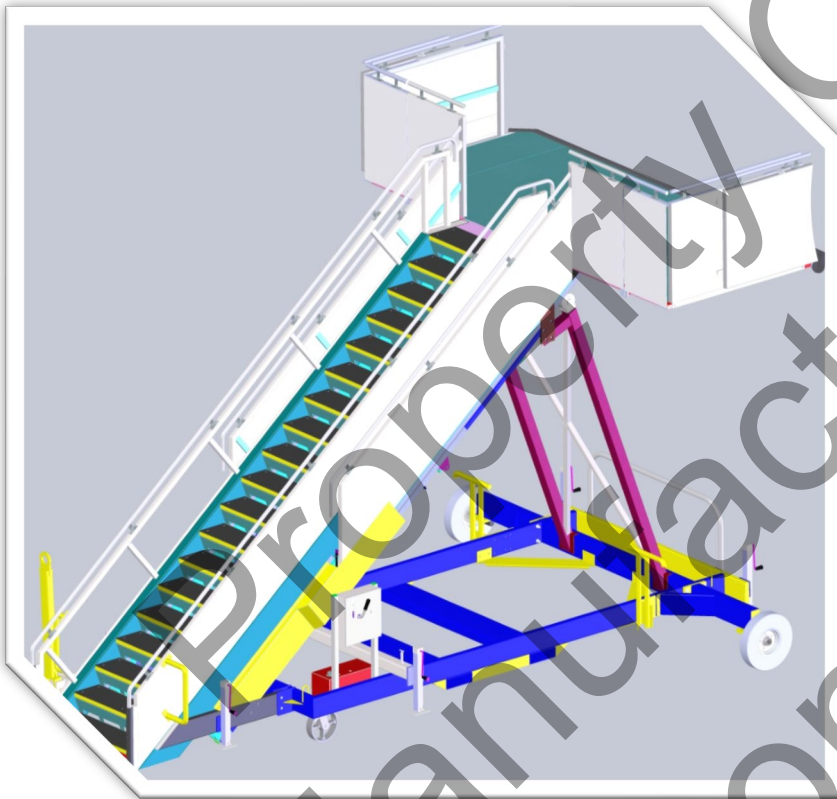
CASCADE GSE

A division of

KG MANUFACTURING LLC.

787 MDC

Model # GSE-BOE-MDC-787
Main Deck Cargo Service Stair



- 2000 Lb. Deck Capacity
- All Steel and Aluminum Construction
- Air/Hydraulic Platform Adjustment
- Safety Lock
- 4 Leveling/Stabilizing Jacks
- 2 Extendable Stabilizers
- Fork Lift Pockets
- 6.9X9 Solid Tires on the Plane End
- Locking Sliding Sides
- Non-Marking Bumpers
- Top Platform-Alum. Traction Tread
- Fiberglass Tread Covers
- 12" Swivel Caster with Poly Tread
- Tow Bar
- Stainless Steel Hand Rail
- Covered Side Walls

MODEL NUMBER

GSE-BOE-MDC-787

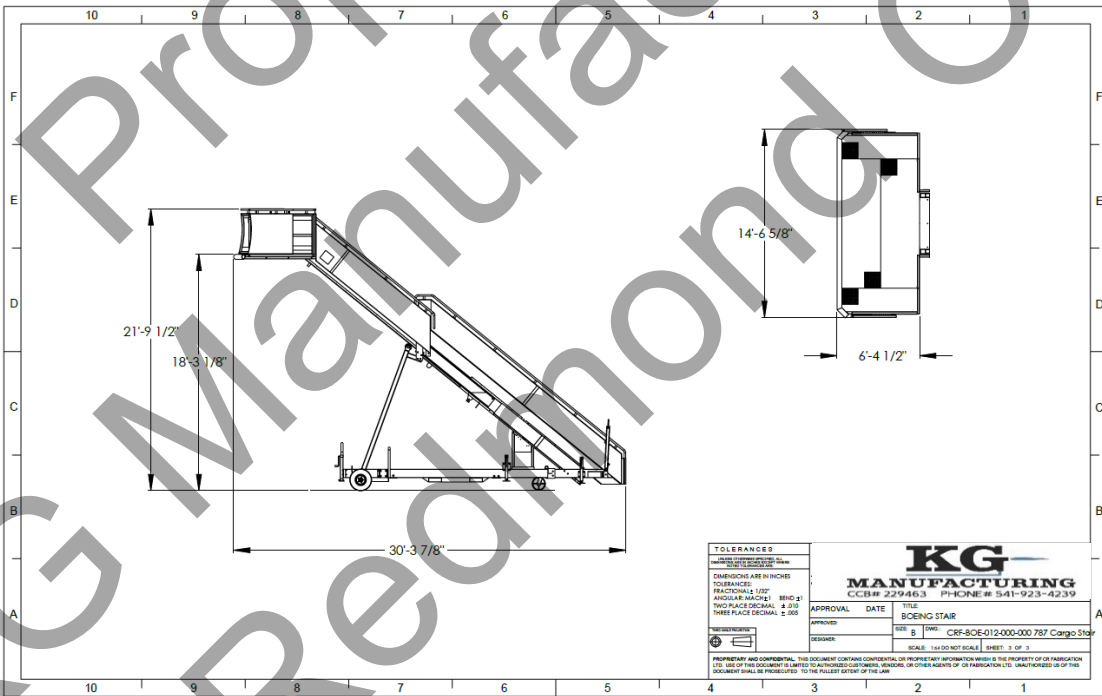
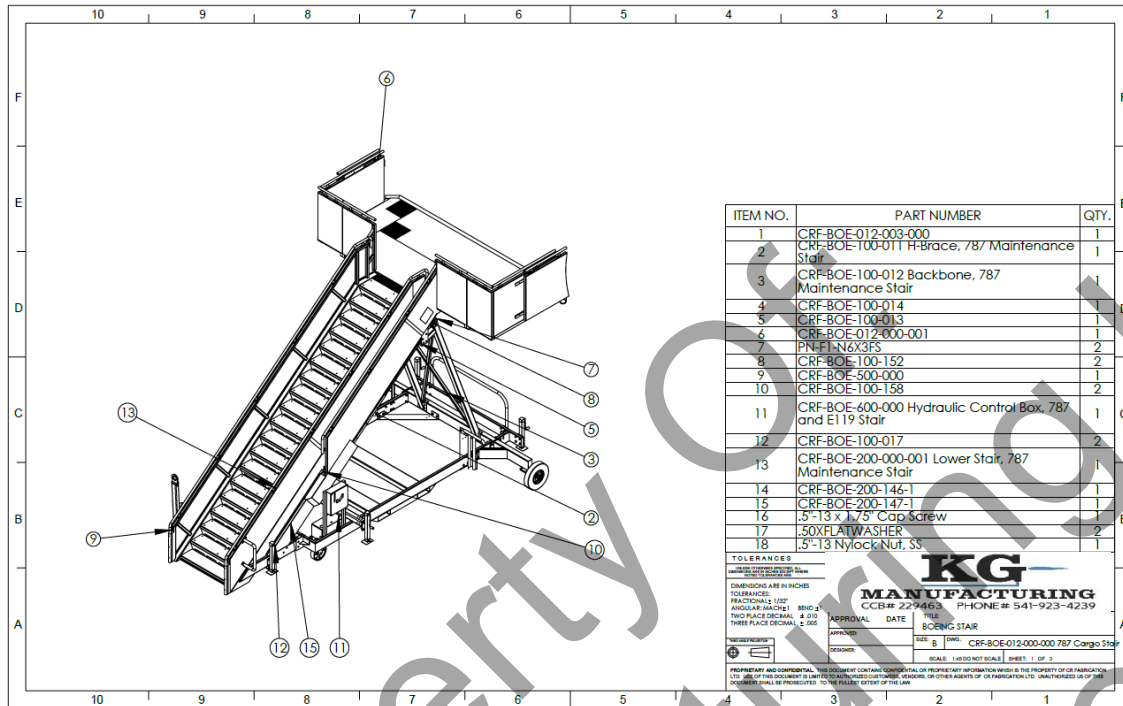
PLATFORM HEIGHT

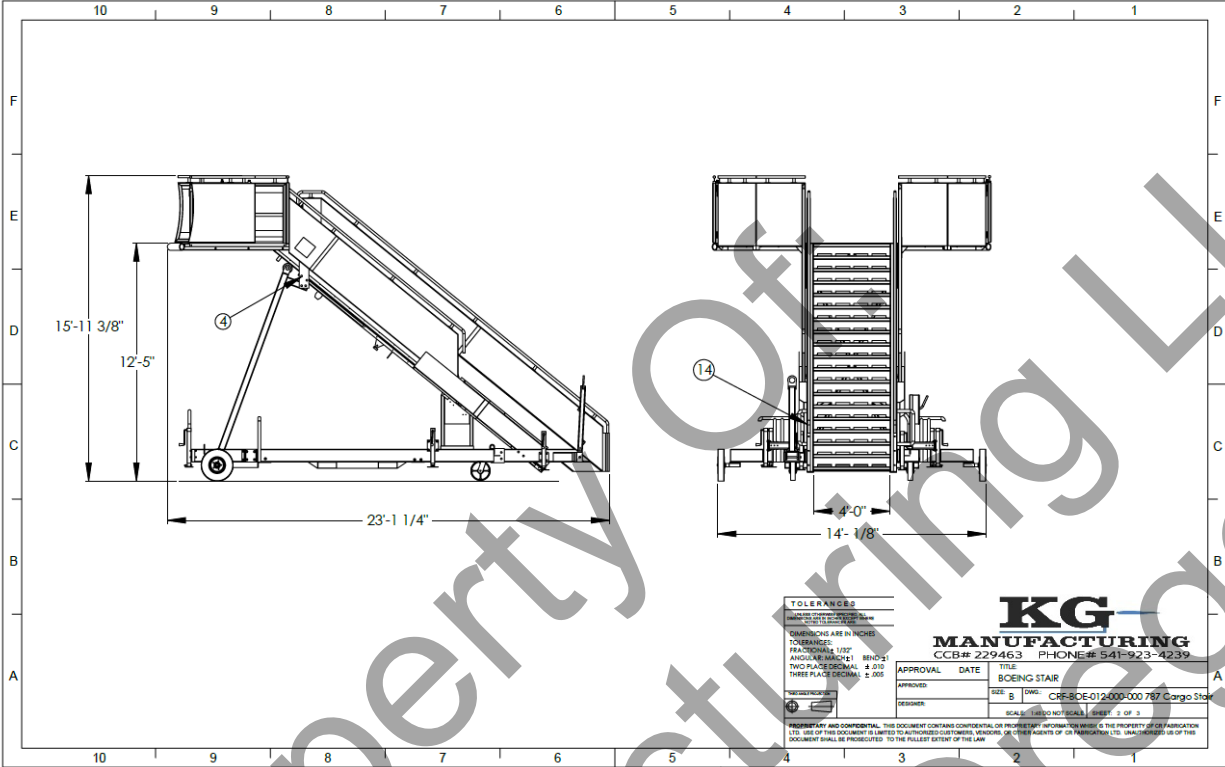
12'6" TO 18'3"

PLATFORM SIZE

6' X 14'

OVERVIEW DRAWINGS





TOLERANCES
 UNLESS OTHERWISE SPECIFIED:
 DIMENSIONS ARE IN INCHES

TOLERANCES:
 FINISHES: 1/32"
 FINISHES: 1/16"
 ANGULAR MATCH: 1/8" (30°)
 TWO PLACE DECIMAL: ±.010
 THREE PLACE DECIMAL: ±.005

MANUFACTURING
 CCB# 229463 PHONE# 541-923-4239

APPROVAL	DATE	TITLE
		BOEING STAIR
DESIGNER	DATE	CFR-50E-01/2000-000 789 Cargo Stair
		SCALE: (SEE NOTES) SHEET: 2 OF 2

PROPRIETARY AND CONFIDENTIAL: THIS DOCUMENT CONTAINS CONFIDENTIAL OR PROPRIETARY INFORMATION WHICH IS THE PROPERTY OF KG FABRICATION LTD. USE OF THIS DOCUMENT IS LIMITED TO AUTHORIZED CUSTOMERS, VENDORS, OR OTHER AGENTS OF KG FABRICATION LTD. UNAUTHORIZED USE OF THIS DOCUMENT SHALL BE PROSECUTED TO THE FULLEST EXTENT OF THE LAW.

KG Property of King LLC
 KG Manufacturing Oregon
 Redmond Oregon

CASCADE GSE

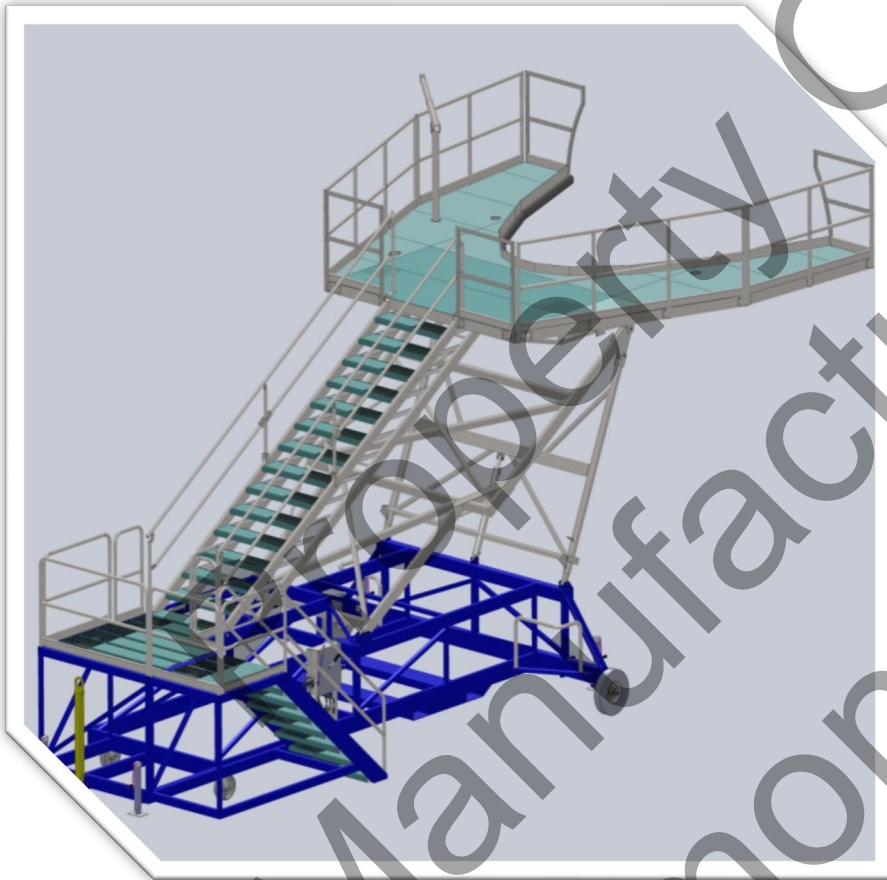
A division of

KG MANUFACTURING LLC.

787 WINDSHIELD

Model # 011-BOE-787-WINDSHIELD

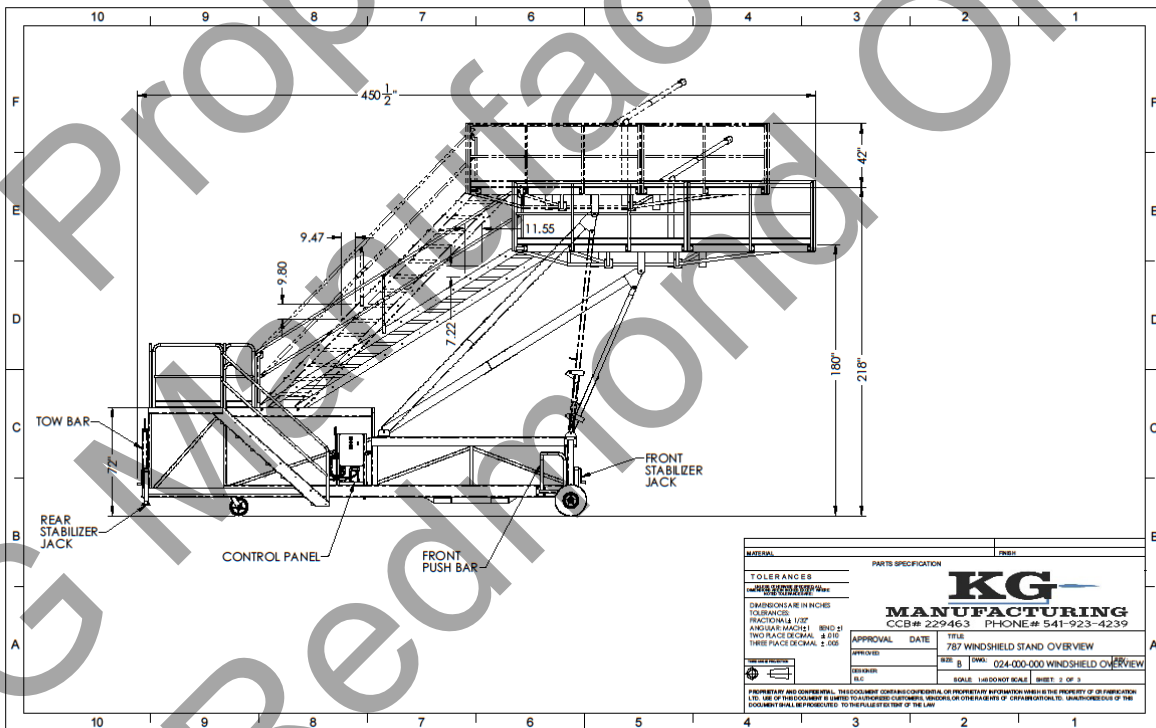
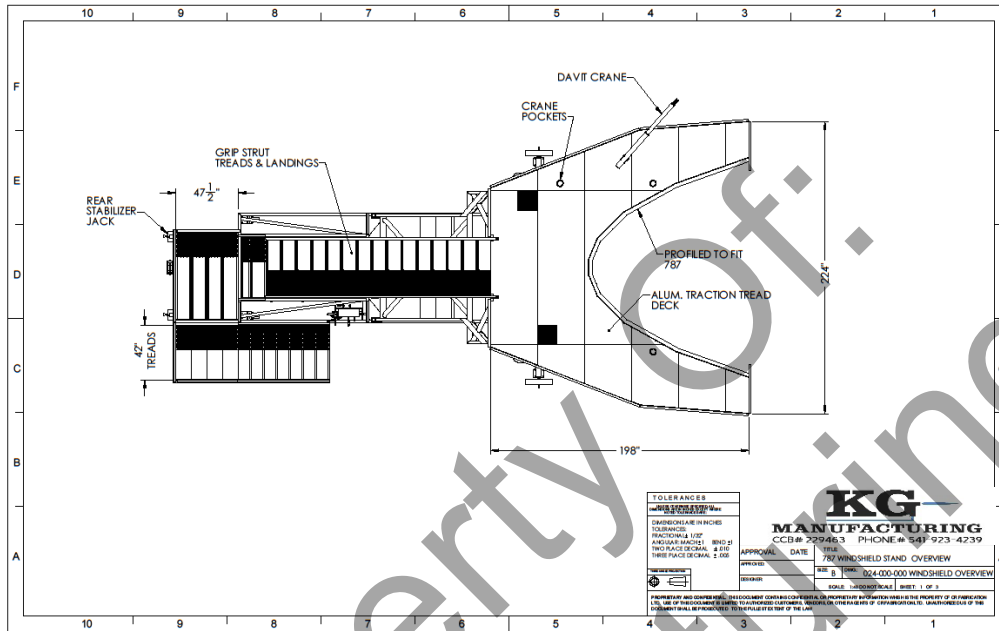
Service Stair



- 2000 Lb. Deck Capacity
- Steel and Aluminum Construction
- Removable Dabit Crane w/500 Lb. Lifting capacity
- 4-7000 Lb. Leveling/Stabilizing Jacks
- Fork Lift Pockets
- 6.9X9 Solid Tires on the Plane End
- Non-Marking Bumpers
- Top Platform Alum. Traction Tread
- Grip Strut Safety Grating on Stairs
- 12" Casters
- Tow Bar

MODEL NUMBER	PLATFORM HEIGHT	PLATFORM SIZE
011-BOE-787-WINDSHIELD	15' to 18'	18'-8"x16'-6"

OVERVIEW DRAWINGS





CASCADE GSE

A division of

KG MANUFACTURING LLC.

787 APU SHORT 16FT

Model # 010-BOE-APU-787-9.5-15.5

Service Stair



- 2000 Lb. Deck Capacity
- All Steel Construction
- Air/Hydraulic Platform Adjustment
- Safety Lock
- 4 Leveling/Stabilizing Jacks
- Fork Lift Pockets
- 6.9X9 Solid Tires on the Plane End
- Polyurethane Foam Bumpers on Hand Rail
- Removable Side and Front Panels
- Grip Strut Stairs and Platform
- Tow Bar (see page 139 for info)
- 12" Swivel Casters
- Air Supply at Deck

MODEL NUMBER

010-BOE-APU-787-9.5-15.5

PLATFORM HEIGHT

9'6" TO 15'9"

PLATFORM SIZE

12' X 8'



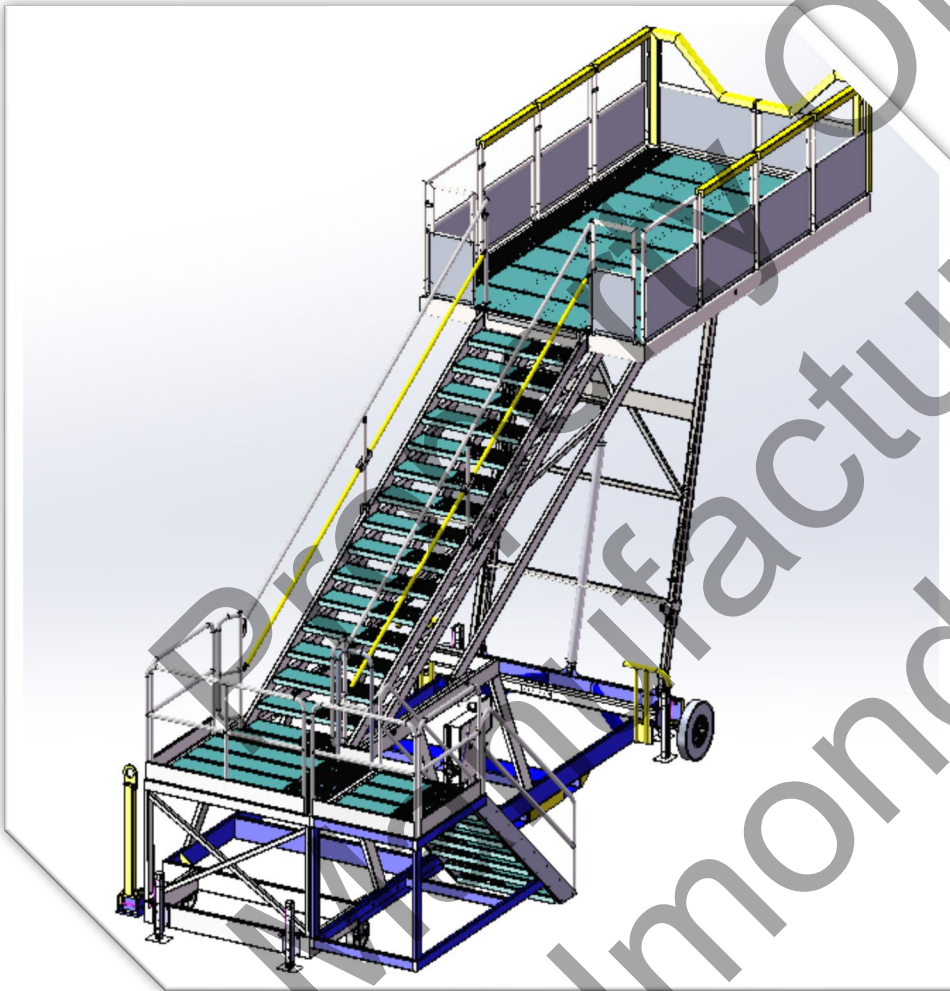
KG Manufacturing LLC
Redmond Oregon

CASCADE GSE

A division of

KG MANUFACTURING LLC.

787APU TALL 19FT
Model # 010-BOE-APU-787-13-19
Service Stair



- 2000 Lb. Deck Capacity
- All Steel Construction
- Air/Hydraulic Platform Adjustment
- Safety Lock
- 4 Leveling/Stabilizing Jacks
- 2 Extendable Stabilizers
- Fork Lift Pockets
- 6.9X9 Solid Tires on the Plane End
- Polyurethane Foam Bumpers on Hand Rail
- Removable Side and Front Panels
- Grip Strut Stairs and Platform
- Tow Bar (see page 139 for info)
- 12" Swivel Casters
- Air Supply at Deck

MODEL NUMBER

010-BOE-APU-787-13-19

PLATFORM HEIGHT

13'3" TO 19'

PLATFORM SIZE

8' X 12'
 8' X 14'



KG Manufacturing LLC
Redmond Oregon

CASCADE GSE

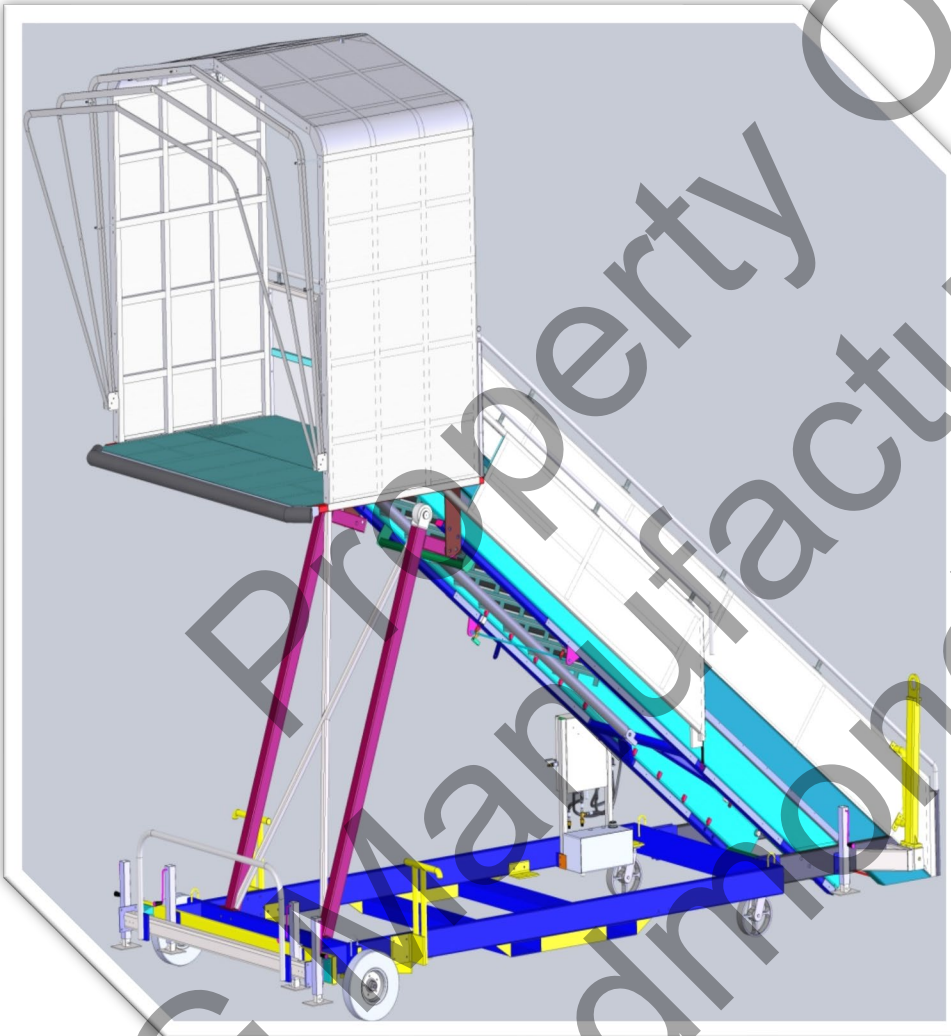
A division of

KG MANUFACTURING LLC.

787 EXTERIOR

Model # 085-BOE-787-EXT

Exterior Service Stair



- 2000 Lb. Deck Capacity
- All Steel and Aluminum Construction
- Air/Hydraulic Platform Adjustment
- Safety Locks
- 4 Leveling/Stabilizing Jacks
- 2 Extendable Stabilizers
- Fork Lift Pockets
- 6.9X9 Solid Tires on the Plane End
- Non-Marking Bumpers
- Top Platform-Alum. Traction Tread
- Fiberglass Tread Covers
- 12" Swivel Caster with Poly Tread
- Tow Bar
- Stainless Steel Hand Rail
- Covered Side Walls
- Updated Cable Actuated Weather Enclosure.

MODEL NUMBER

085-BOE-787-EXT

PLATFORM HEIGHT

12'6" to 18'3"

PLATFORM SIZE

10' X 6'

CASCADE GSE

A division of

KG MANUFACTURING LLC.

787 INTERIOR ADDED ELECTRIC

Model # 010-JOB-BOE-787-013-E

Service Stair



- 2000 Lb. Deck Capacity
- All Steel and Aluminum Construction
- Air/Hydraulic Platform Adjustment
- Safety Lock
- 4 Leveling/Stabilizing Jacks
- 2 Extendable Stabilizers
- Fork Lift Pockets
- 6.9X9 Solid Tires on the Plane End
- Locking Sliding Sides
- Non-Marking Bumpers
- Top Platform-Alum. Traction Tread
- Fiberglass Tread Covers
- 12" Swivel Caster with Poly Tread
- Tow Bar
- Stainless Steel Hand Rail
- Covered Side Walls
- 1" airline, multiple quick coupler connections on lower frame and platform
- Electrical panels on lower frame W/outlets on lower frame, cords & outlets on platform

MODEL NUMBER

010-JOB-BOE-787-013-E

TYPICAL AIRCRAFT

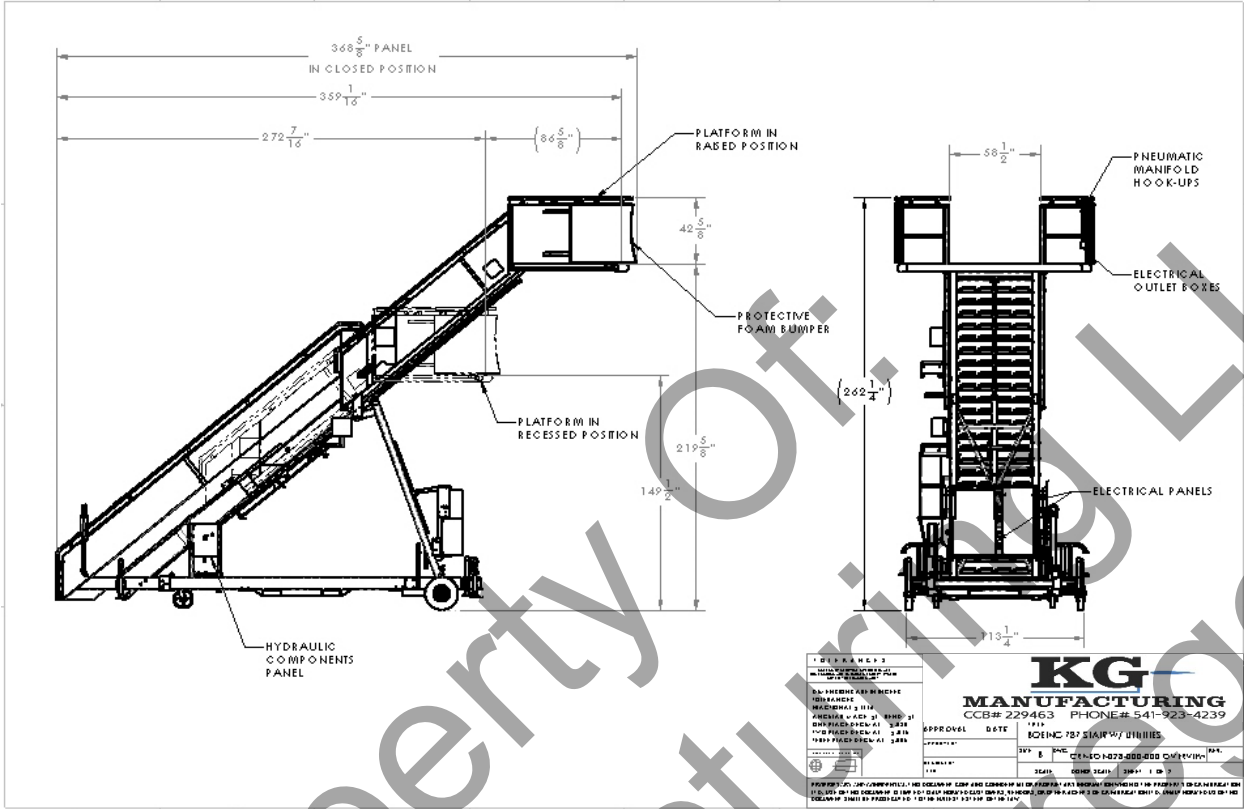
787

PLATFORM HEIGHT

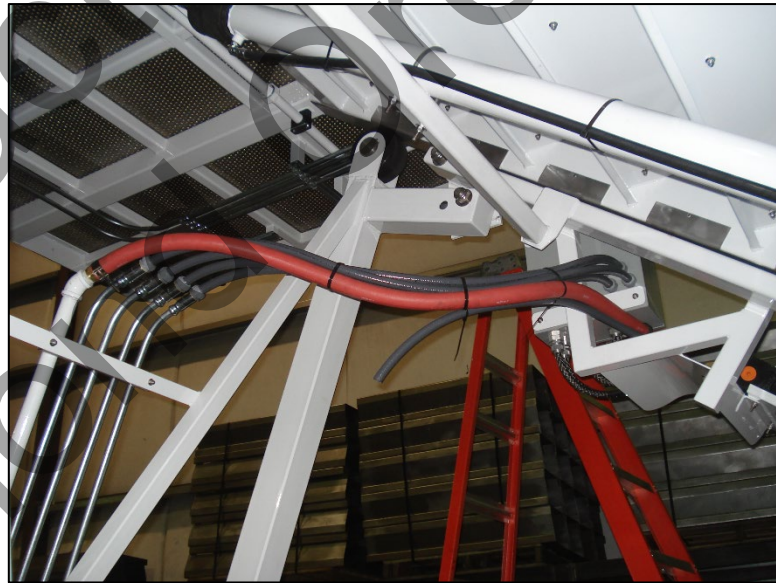
12'6" TO 18'3"

PLATFORM SIZE

6' X 10'



Property of
 KG Manufacturing
 Redmond Oregon

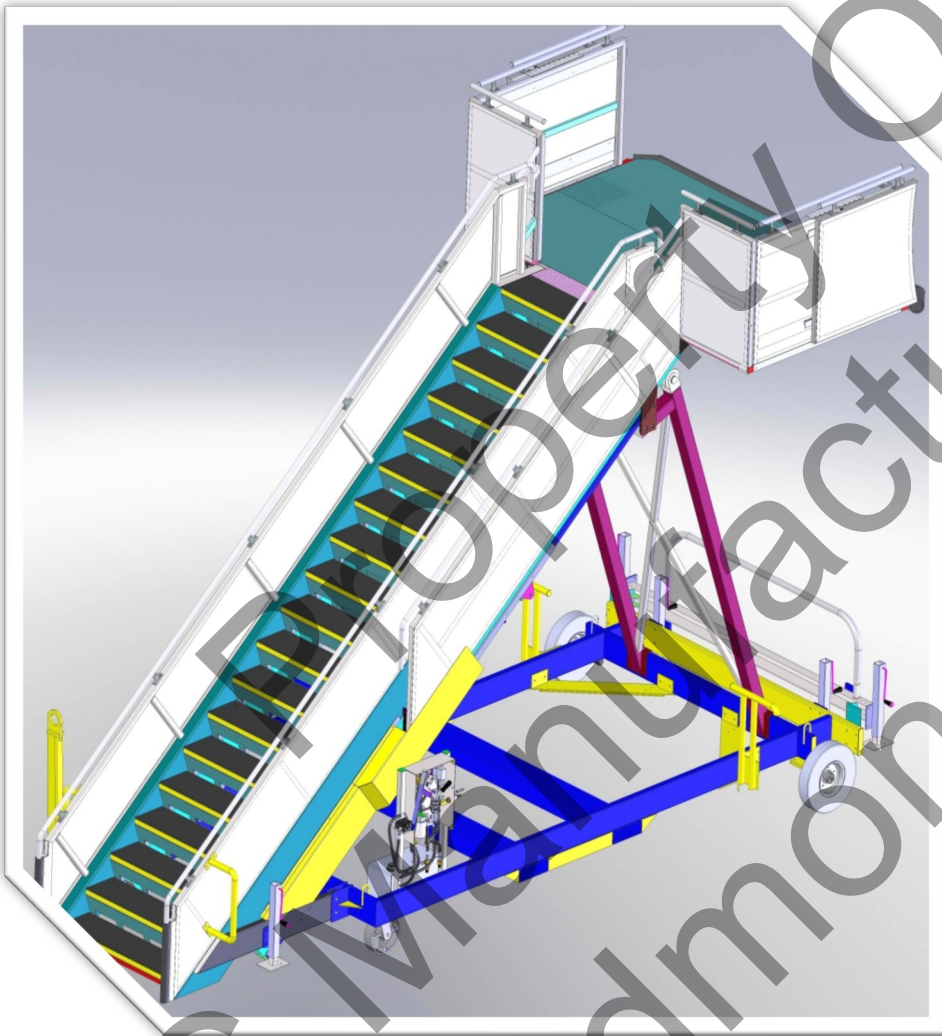


CASCADE GSE

A division of

KG MANUFACTURING LLC.

787 INTERIOR
Model # 010-JOB-BOE-787-013
 Interior Service Stair



- 2000 Lb. Deck Capacity
- All Steel and Aluminum Construction
- Air/Hydraulic Platform Adjustment
- Safety Lock
- 4 Leveling/Stabilizing Jacks
- 2 Extendable Stabilizers
- Fork Lift Pockets
- 6.9X9 Solid Tires on the Plane End
- Locking Sliding Sides
- Non-Marking Bumpers
- Top Platform-Alum. Traction Tread
- Fiberglass Tread Covers
- 12" Swivel Caster with Poly Tread
- Tow Bar
- Stainless Steel Hand Rail
- Covered Side Walls

MODEL NUMBER

010-JOB-BOE-787-013

PLATFORM HEIGHT

12'6" TO 18'3"

PLATFORM SIZE

6' X 10'

CASCADE GSE

A division of

KG MANUFACTURING LLC.

787 EXTERIOR 13.1-19.5
Model # 016-BOE-787-EXT 13.1-19.5
Exterior Service Stair



**MODEL
NUMBER**

787-EXT 13.1 TO 19.5

**PLATFORM
HEIGHT**

157.13" to 234.81

**PLATFORM
SIZE**

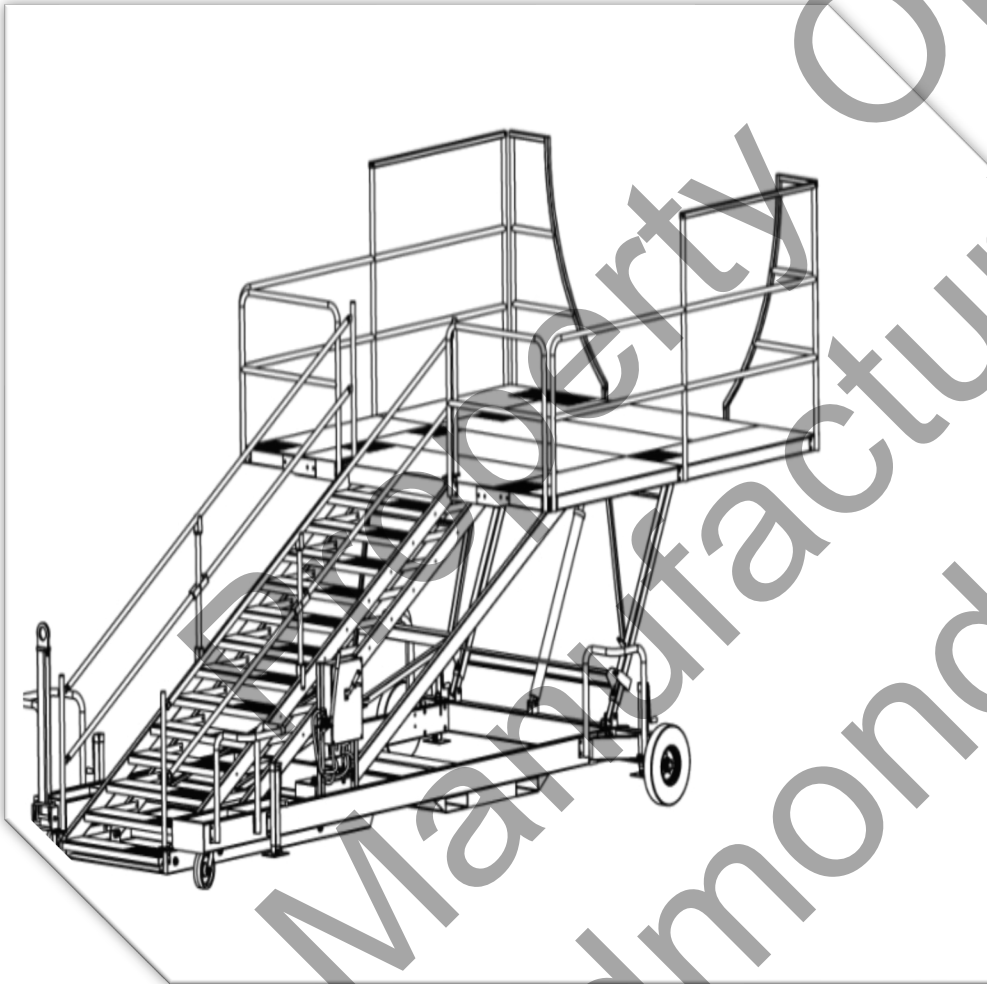
10' X 6'

CASCADE GSE

A division of

KG MANUFACTURING LLC.

787 RADOME
Model # 011-BOE-787-Radome
Service Stair



- 2000 Lb. Deck Capacity
- All Steel and Aluminum Construction
- Air/Hydraulic Platform Adjustment
- 4 Leveling/Stabilizing Jacks
- 6.9X9 Solid Tires on the Plane End
- Non-Marking Bumpers
- Polyurethane Foam on Guard Rails in areas of potential plane contact
- Top Platform-Alum. Traction Tread
- Grip Strut Safety Grating on Stairs
- Tow Bar

MODEL NUMBER

011-BOE-787-Radome

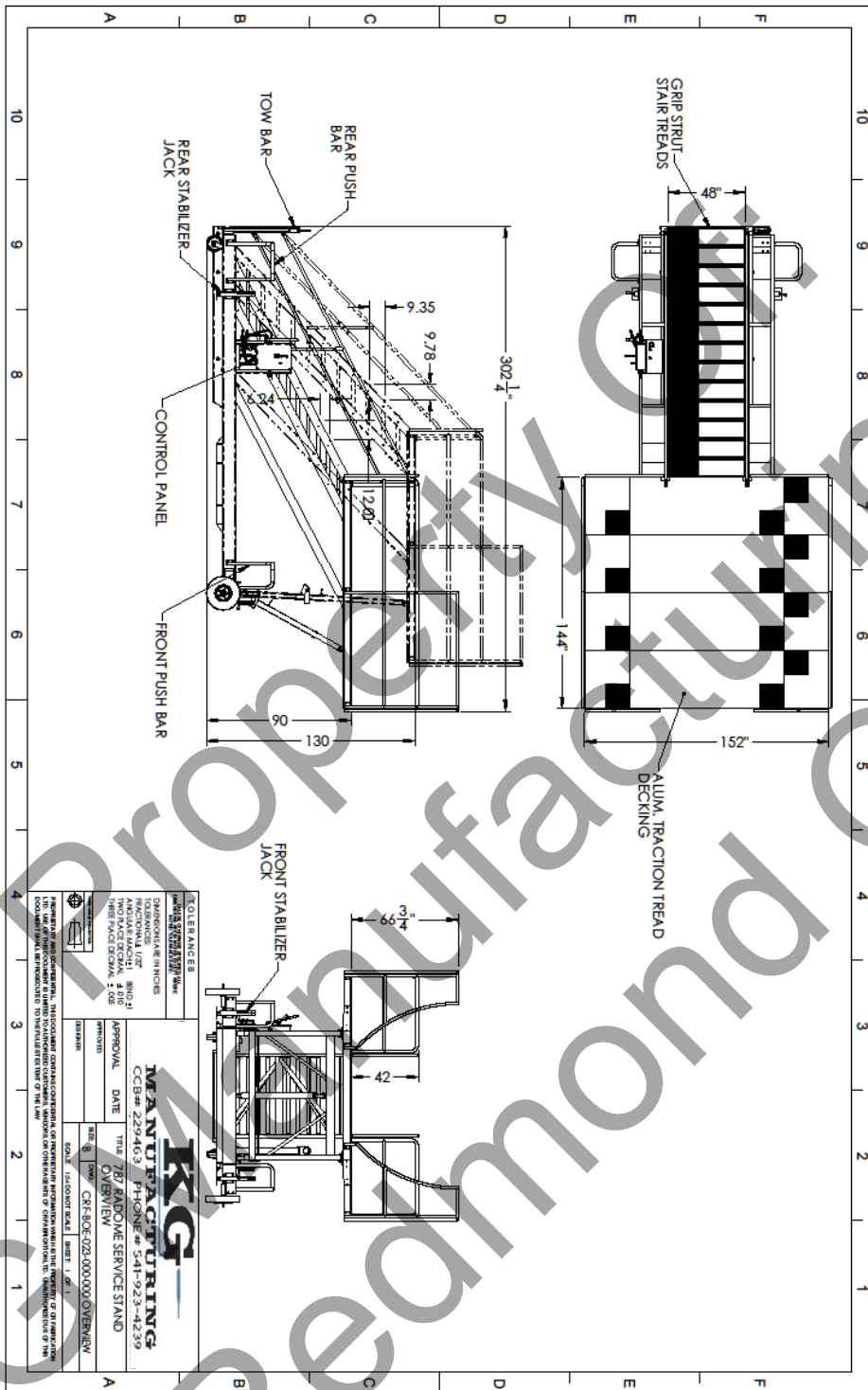
PLATFORM HEIGHT

7'6" to 10'8"

PLATFORM SIZE

12'6" X 12'

OVERVIEW DRAWINGS



TOLERANCES

DIMENSIONS IN INCHES
 FRACTIONS DECIMALS
 1/16 0.0625
 1/8 0.125
 3/16 0.1875
 1/4 0.25
 5/16 0.3125
 3/8 0.375
 7/16 0.4375
 1/2 0.5
 9/16 0.5625
 5/8 0.625
 11/16 0.6875
 3/4 0.75
 13/16 0.8125
 7/8 0.875
 15/16 0.9375
 1 1.0000

MANUTIA CHAIRING
 228-463
 787 RADOME SERVICE STAND
 APPROVAL DATE
 DRAWN BY
 CHECKED BY
 SCALE: 1:1 (AS SHOWN)
 SHEET 1 OF 1
 CRI-ROE-021-000-000-OVERVIEW

I, THE UNDERSIGNED, THE COMPANY DESIGNER, ENGINEER, ARCHITECT OR PROFESSIONAL CONSULTANT, HEREBY CERTIFY THAT I AM A LICENSED PROFESSIONAL ENGINEER, ARCHITECT, DESIGNER OR PROFESSIONAL CONSULTANT IN THE STATE OF OREGON AND THAT I AM THE DESIGNER OF THE ABOVE DESCRIBED PROJECT. I AM NOT PROVIDING ANY GUARANTEE OR WARRANTY FOR THE PROJECT. I AM NOT PROVIDING ANY GUARANTEE OR WARRANTY FOR THE PROJECT. I AM NOT PROVIDING ANY GUARANTEE OR WARRANTY FOR THE PROJECT.

CASCADE GSE

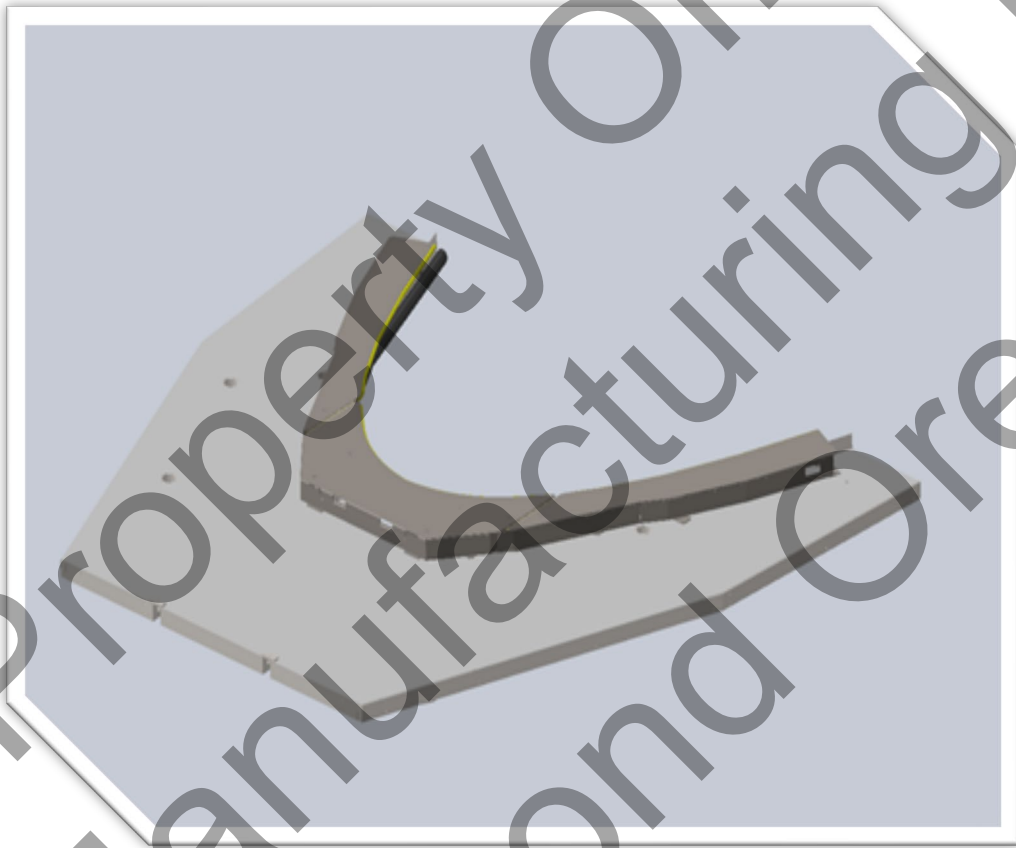
A division of

KG MANUFACTURING LLC.

WINDSHIELD GAP CLOSE-OUT

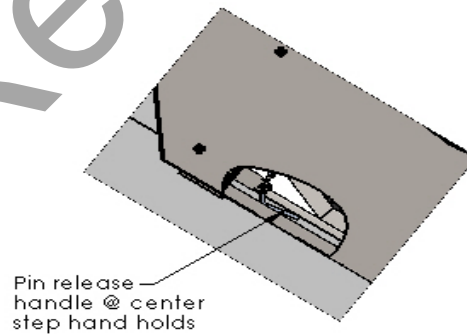
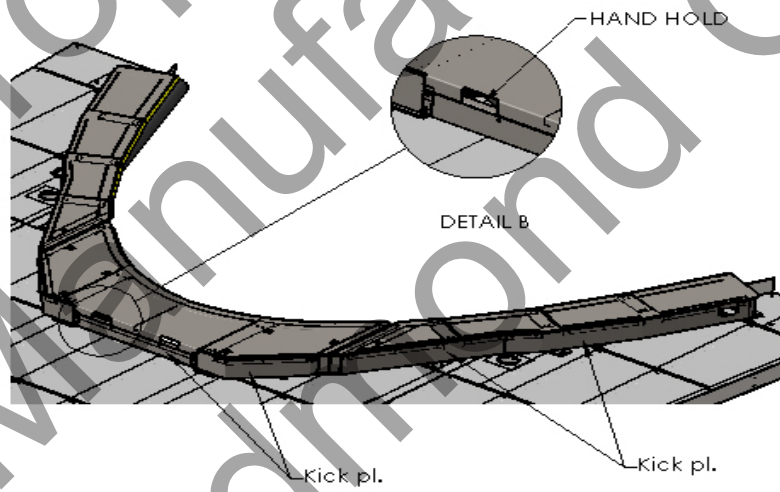
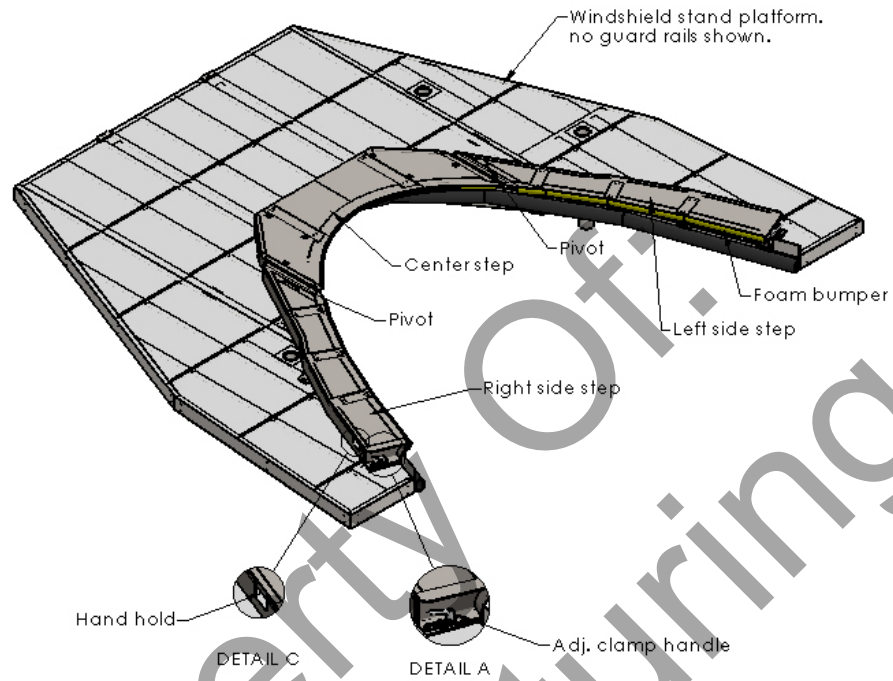
Model # 024-006-001 Windshield Stand

Gap Close-Out Steps



- Add on part for 787 & 777 Windshield Stands.
- Max Load Rating 1000 lbs.
- Weight 670 lbs.
- All contact points padded with Polyurethane Foam
- Adjustability to minimize gap between stand and plane for optimal safety environment.
- Weight 670 lbs.

OVERVIEW DRAWINGS





CASCADE GSE

A division of

KG MANUFACTURING LLC.

OVERWING

Model # 010-BOE-OVERWING

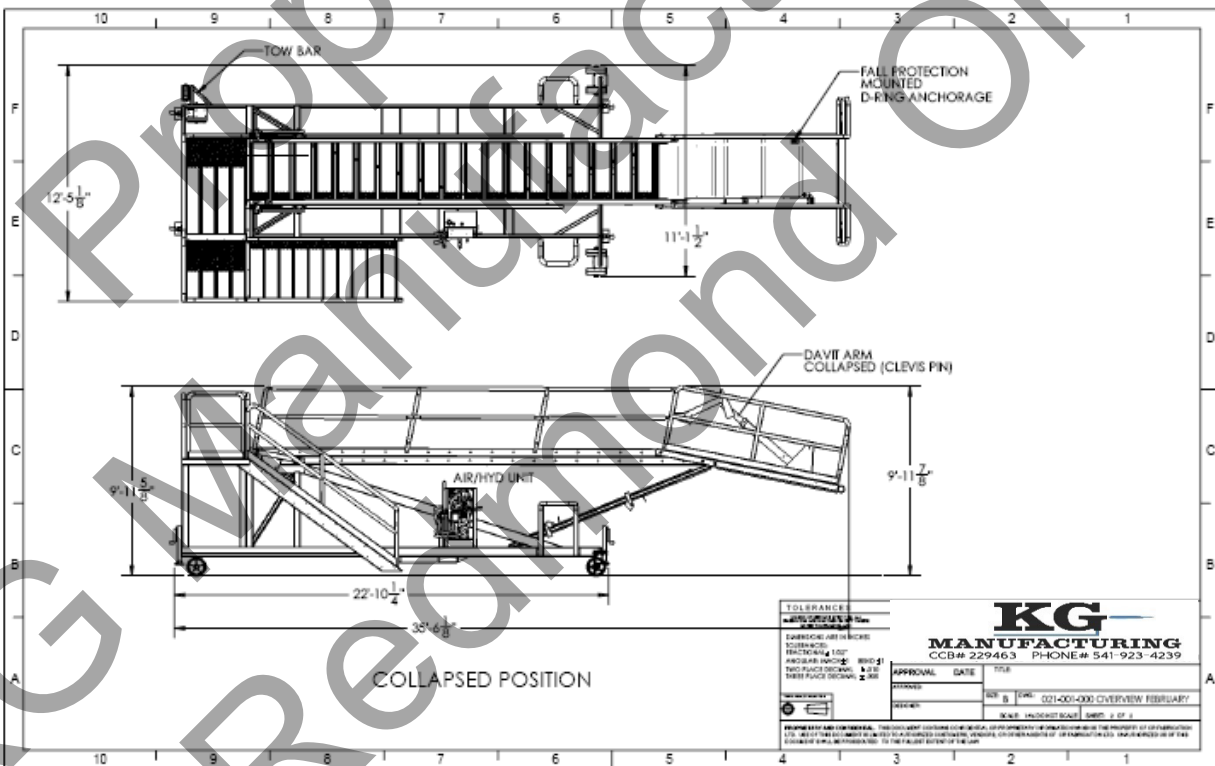
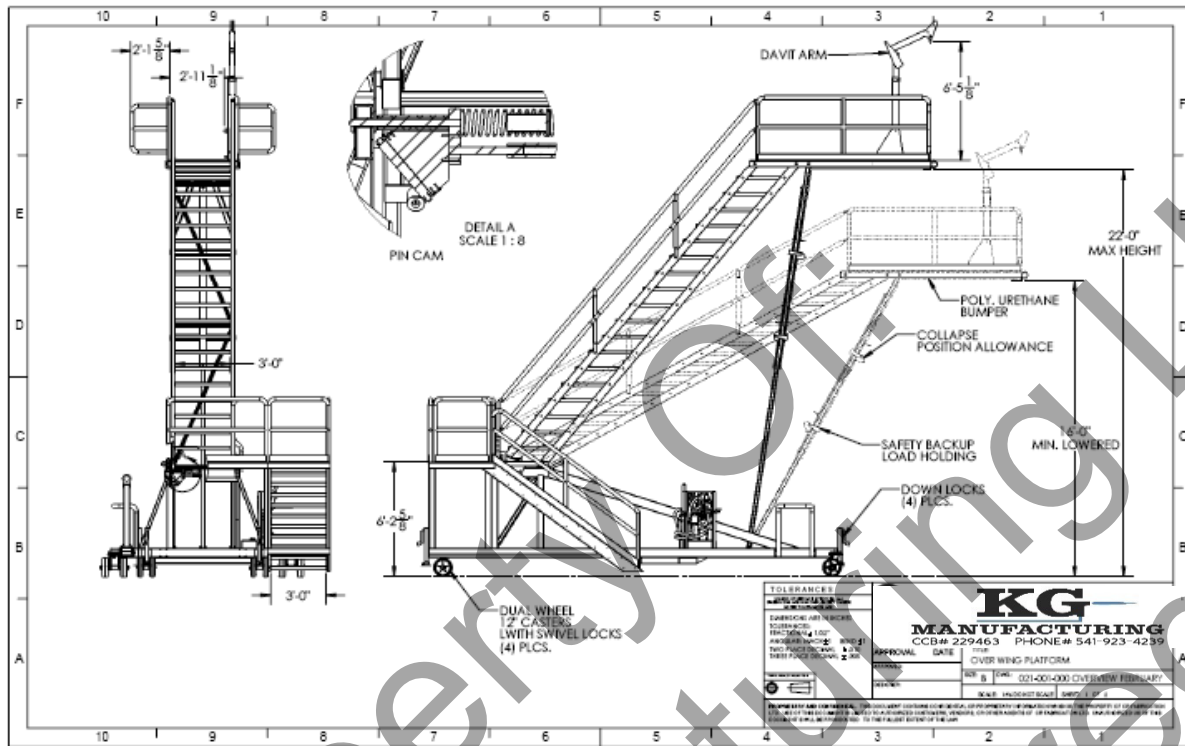
Service Stair



- 2000 Lb. Deck Capacity
- All Steel Construction
- Air/Hydraulic Platform Adjustment
- Safety Lock
- 4 Leveling/Stabilizing Jacks
- Fork Lift Pockets
- 6.9X9 Solid Tires on the Plane End
- Fall Arrest
- Non-Marking Bumpers
- Polyurethane Foam Hand Rail and Bottom of Deck
- Aluminum Traction Tread on Platform
- Grip Strut Stairs
- Dual 12" Swivel Casters with Locks
- Tow Bar
- Collapses to 10' Max Height
- Air Supply at Deck

MODEL NUMBER	PLATFORM HEIGHT	PLATFORM SIZE
010-BOE-OVERWING	16'6" TO 22'6"	4' x 9'9"

OVERVIEW DRAWINGS





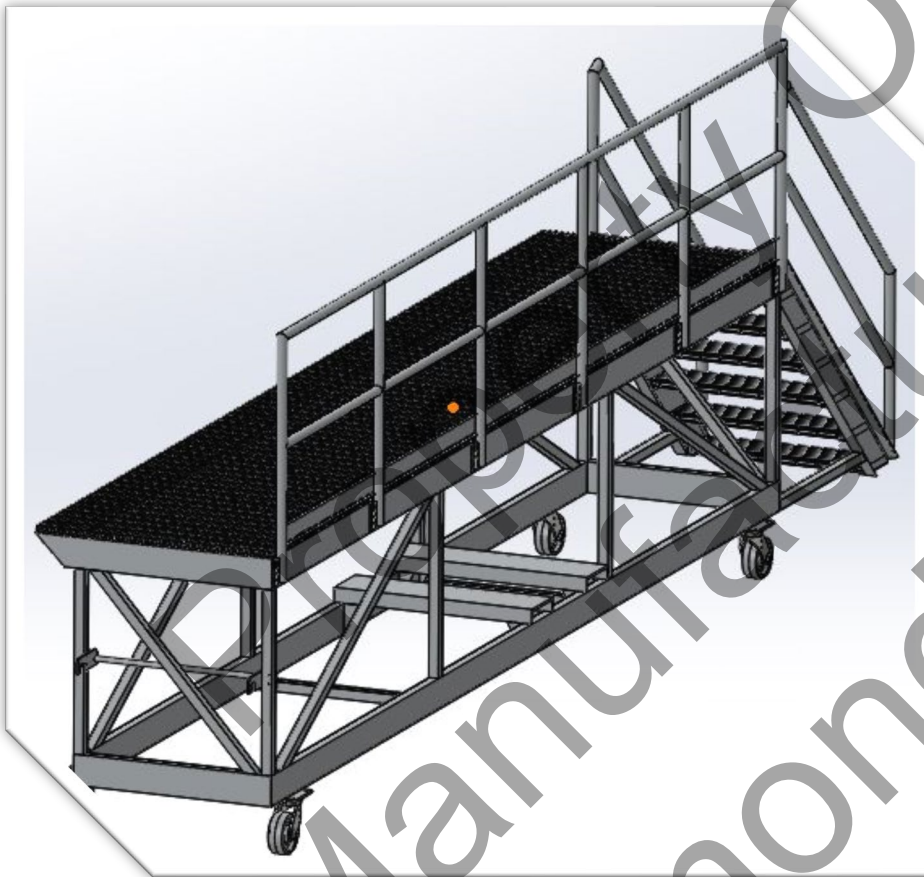
CASCADE GSE

A division of

KG MANUFACTURING LLC.

RAIL CAR SCAFFOLD

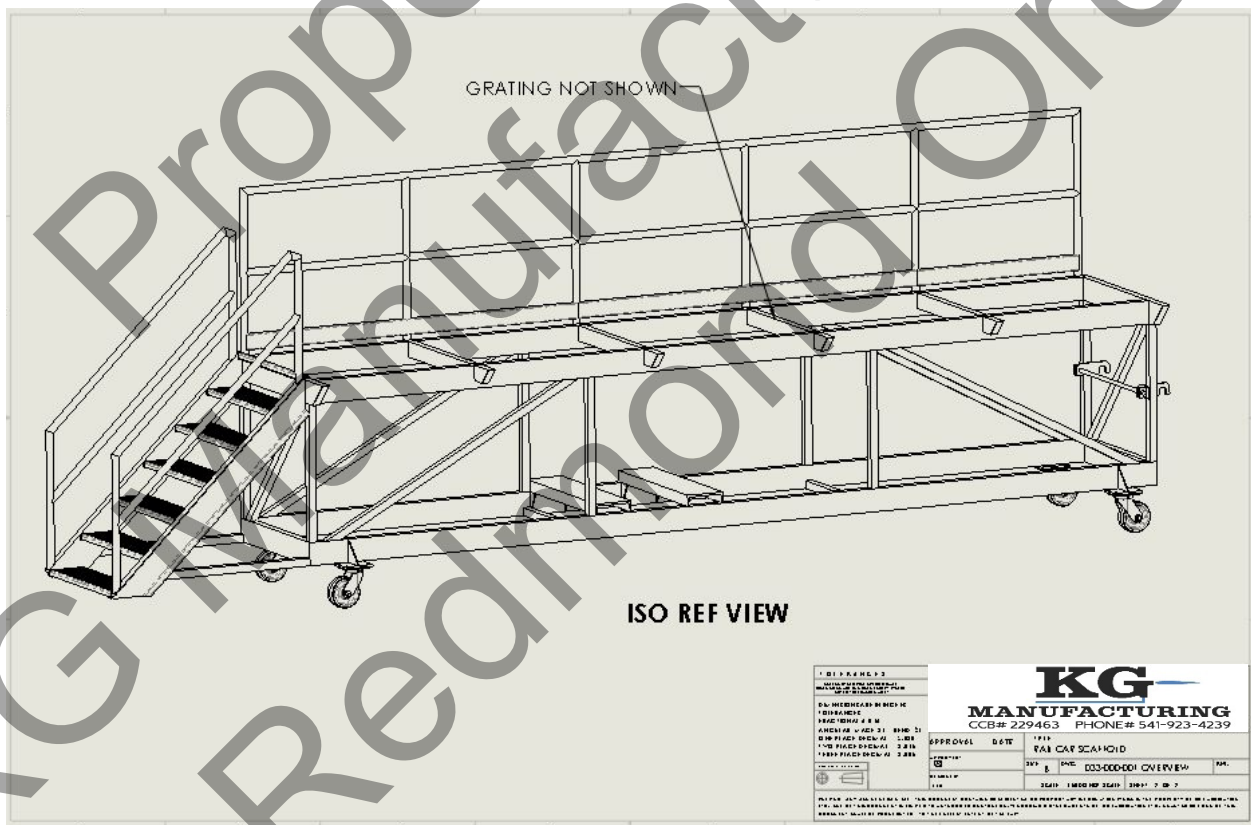
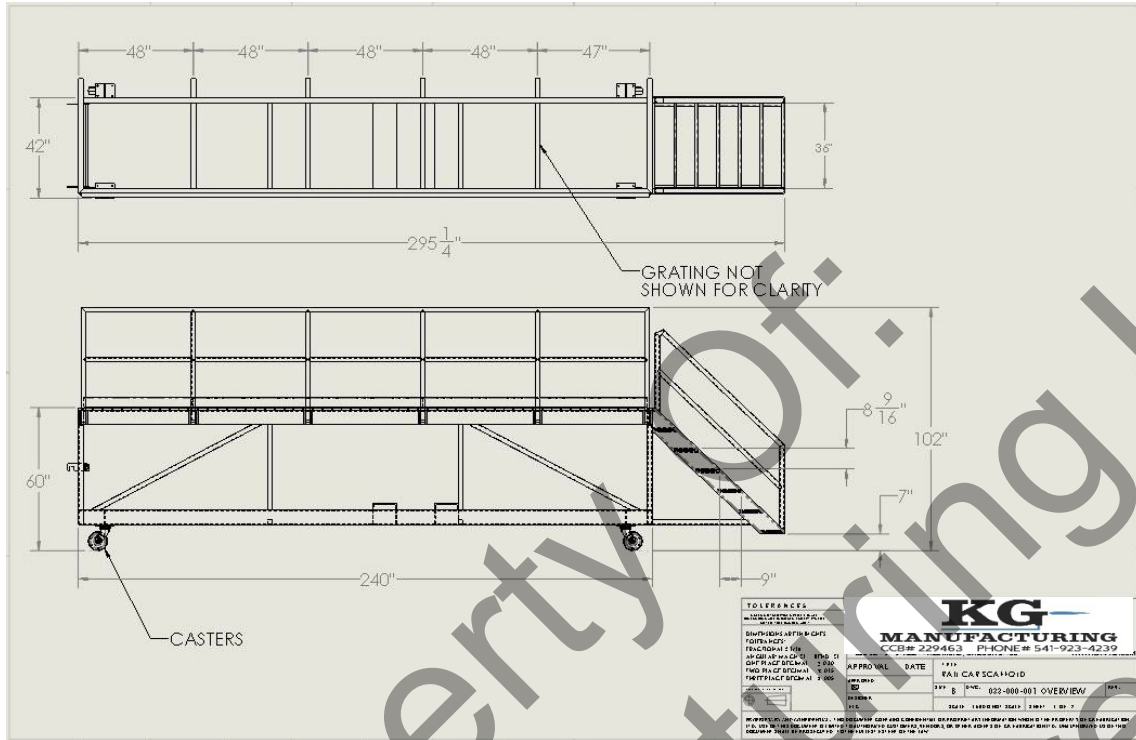
Model # Rail Car Scaffold



- All Aluminum Construction
- I Beam tread on platform.
- Grip Strut Stair Tread
- All Stainless-Steel Hardware
- 4 Swivel Casters with Wheel Locks.
- Stand Platform 60" above ground level.
- Guard Rail on one side.
- Guard Rail on Stairs.

MODEL NUMBER	PLATFORM HEIGHT	PLATFORM SIZE
Rail Car Scaffold	5'	4'4" X 20'

OVERVIEW DRAWINGS



CASCADE GSE

A division of

KG MANUFACTURING LLC.

ADJUSTABLE TRUCK LADDER

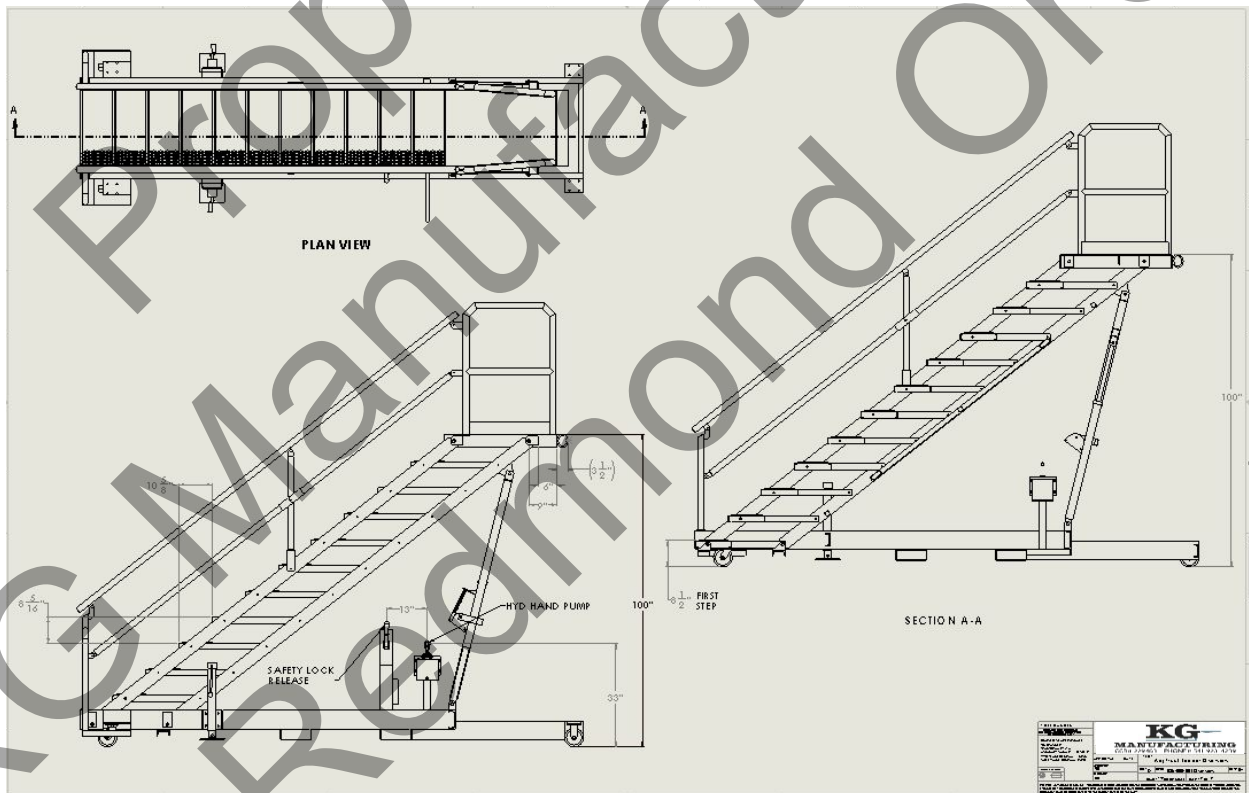
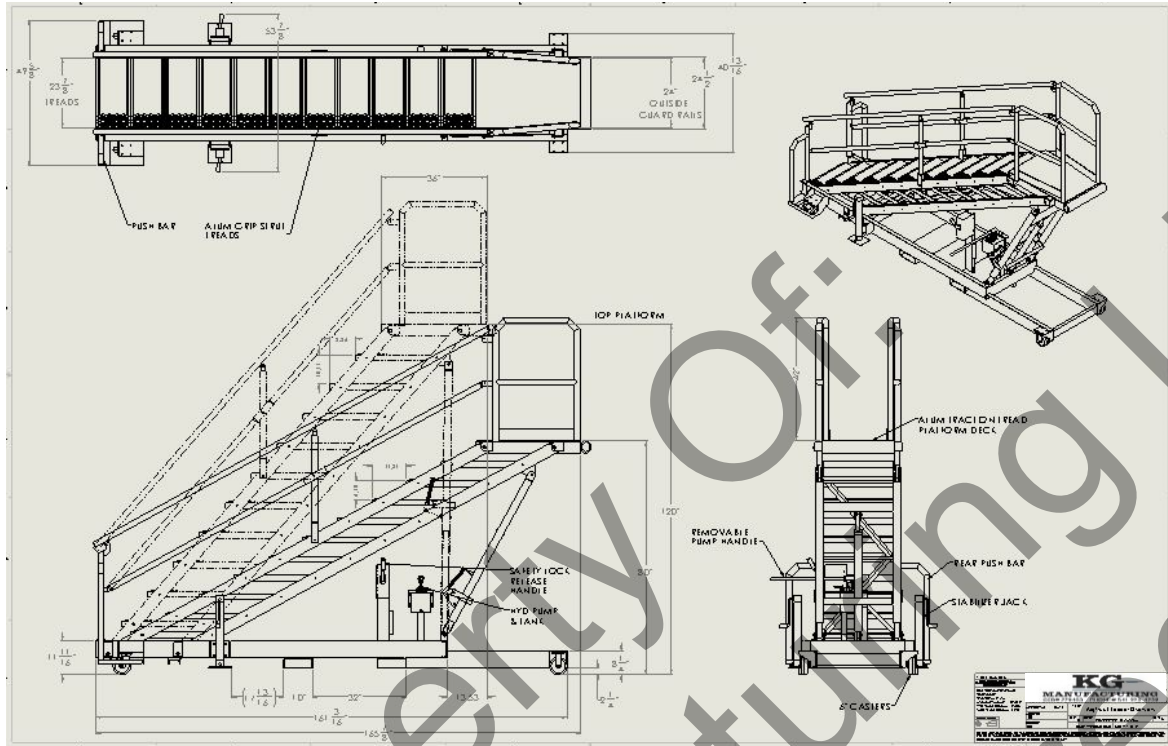
Model # GSE-BOE-6.7-10-HYDRO



- All Aluminum Construction
- Finish is Raw Aluminum
- 2 Leveling/Stabilizing Jacks
- Upper Hand Rail Width 24".
- 2 6" Swivel Casters
- 2 6" Fixed Casters
- Hand pump hydraulic system
- 2 Safety Locks
- 2 Down Locks

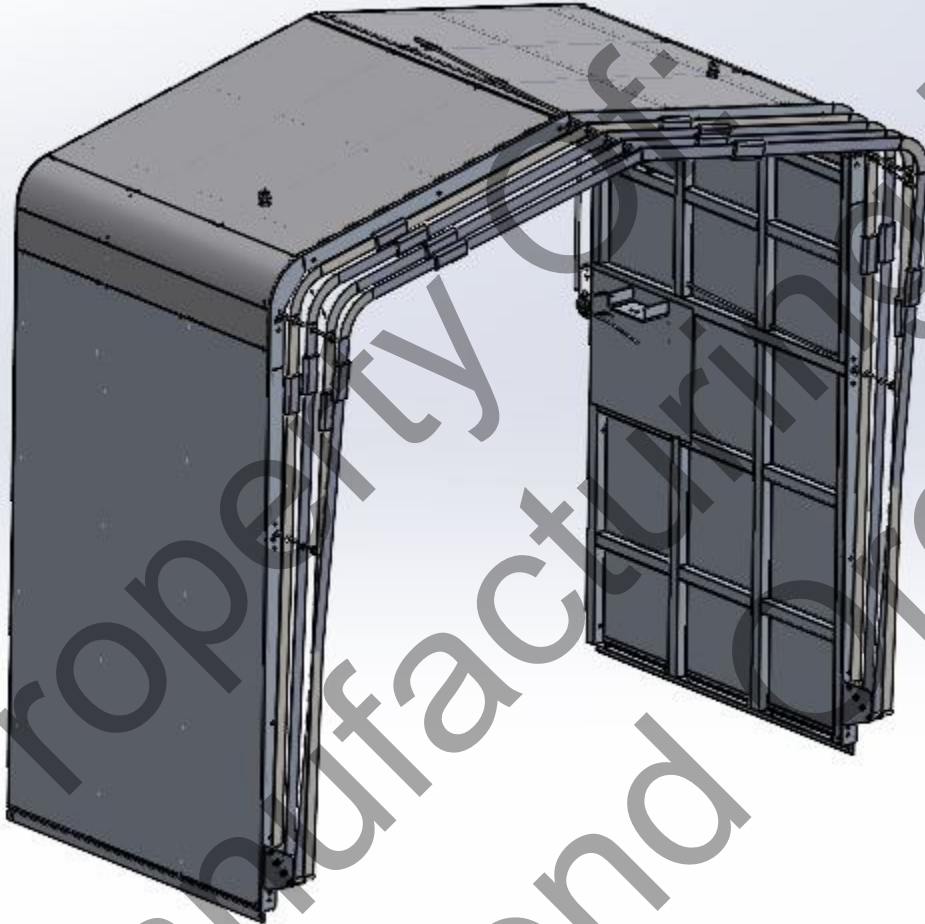
MODEL NUMBER	PLATFORM HEIGHT	PLATFORM SIZE
GSE-BOE-6.7-10-HYDRO	6'8" to 10'	3' X 2'

OVERVIEW DRAWINGS



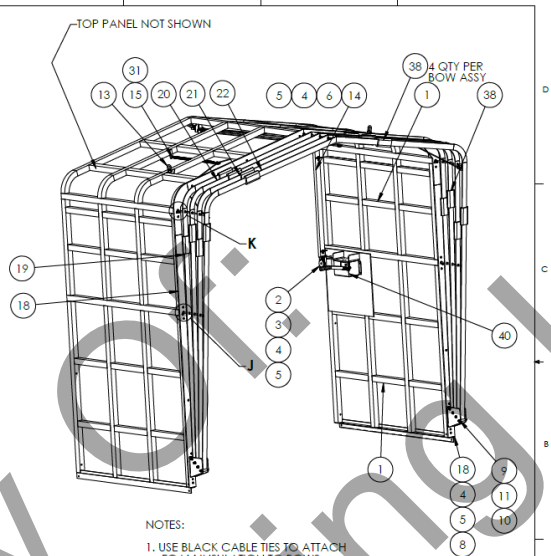


787 WEATHER ENCLOSURE PART NO: 022-001-003



OVERVIEW DRAWINGS

ITEM NO.	QTY.	PART NUMBER	DESCRIPTION	LENGTH
1	1	022-002-040	CANOPY WELDMENT, 787 STAND	
2	6	307411	PULLEY ASSEMBLY, 2.00 OD X .25 WIRE ROPE, 4 HOLE MTG	
3	28	FHCS-250-20 X 1.000 L, 18-8 SST		
4	68	FW 250 USS SS		
5	71	HN 25-20, NYLOCK, SS 18-8		
6	2	HHCS 250-20x1.00 18-8 SST		
7	6	HHCS 250-20 X 1.25, 18-8 SST		
8	20	FHCS-250-20 X 3.00 L, 18-8 SST		
9	16	FW 375 5AE 18-8 SST		
10	8	HN 375-16, NYLOCK, SST		
11	8	HHCS 375-16x3.50 18-8 SST		
12	2	308741	PULLEY ASSEMBLY, 2.00 OD X .25 WIRE ROPE, 2 HOLE MTG	
13	2	3145720	LIFTING EYE	
14	1	022-002-006	TUBE ASSEMBLY, CABLE, GUIDE, 787	
15	9	35A-70-1	SPRING ANCHOR, .250-20 UNC X 1.250 OAL, CENT SPRING	
16	2	2213750	PULLEY, HANGING, Stainless Steel, 1.25 PULLEY DIA, SWIVEL MOUNT	
17	1	CRF-80E-004-008-012	PLATE, STOP	
18	1	CRF-80E-002-003-000	FLANGE ASSEMBLY, CANOPY, 787 STAND	
19	1	022-002-018	BOW #4, 787 STAND	
20	1	022-002-017	BOW #3, 787 STAND	
21	1	022-002-016	BOW #2, 787 STAND	
22	1	022-002-015	BOW #1, 787 STAND	
23	5	Igilde PFI-0810-08	FLG BUSHING, .62500 x .50 ID x 1.00 LG W FLANGE	
24	1	022-002-019-124	CABLE ASSEMBLY, SIDE, 787 CANOPY	
25	1	022-002-019-124	CABLE ASSEMBLY, SIDE, 787 CANOPY	
26	1	022-002-019	CENTER CABLE, 787 CANOPY	
27	1	022-002-027	CABLE ASSEMBLY, WINCH, 787 CANOPY	
28	2	022-002-021	ROD ASSEMBLY, SPRING, LOWER, 787 CANOPY	
29	2	022-002-029	SPRING, EXTENSION, TOP, SIDE, 787 CANOPY	
30	1	022-002-021	ROD ASSEMBLY, SPRING, LOWER, 787 STAND	
31	2	022-002-030	SPRING, TENSION TAKE-UP, 787 CANOPY	
32	2	022-002-031	SPRING, EXTENSION, TOP, SIDE, 787 CANOPY	
33	2	022-002-022	ROD ASSEMBLY, SPRING, LOWER, 787 STAND	
34	2	022-002-032	SPRING, LOWER, SIDE, 787 CANOPY	
35	1	022-002-004	SHEETING, TOP	
36	1	022-002-033	SPRING, EXTENSION, TOP, CENTER, 787 CANOPY	
37	1	787-GEN 3 TARP	TARP ASSEMBLY, 787 CANOPY	
38	16	MCM 4463K127	FOAM, INSULATION, 1.38 ID X .38 THK X 6 FT LONG, BLACK	
39	1	DUROCK	WINCHES	
40	1	99-0001	GUARD, WINCH	
41	1	99-0165	SPACER, BRAKE, WINCH	
42	2		DHT, 3105 ALUM, BRIGHT WHITE 2 SIDES, VINYL 2 SIDES, .040 X 59.500	93.040



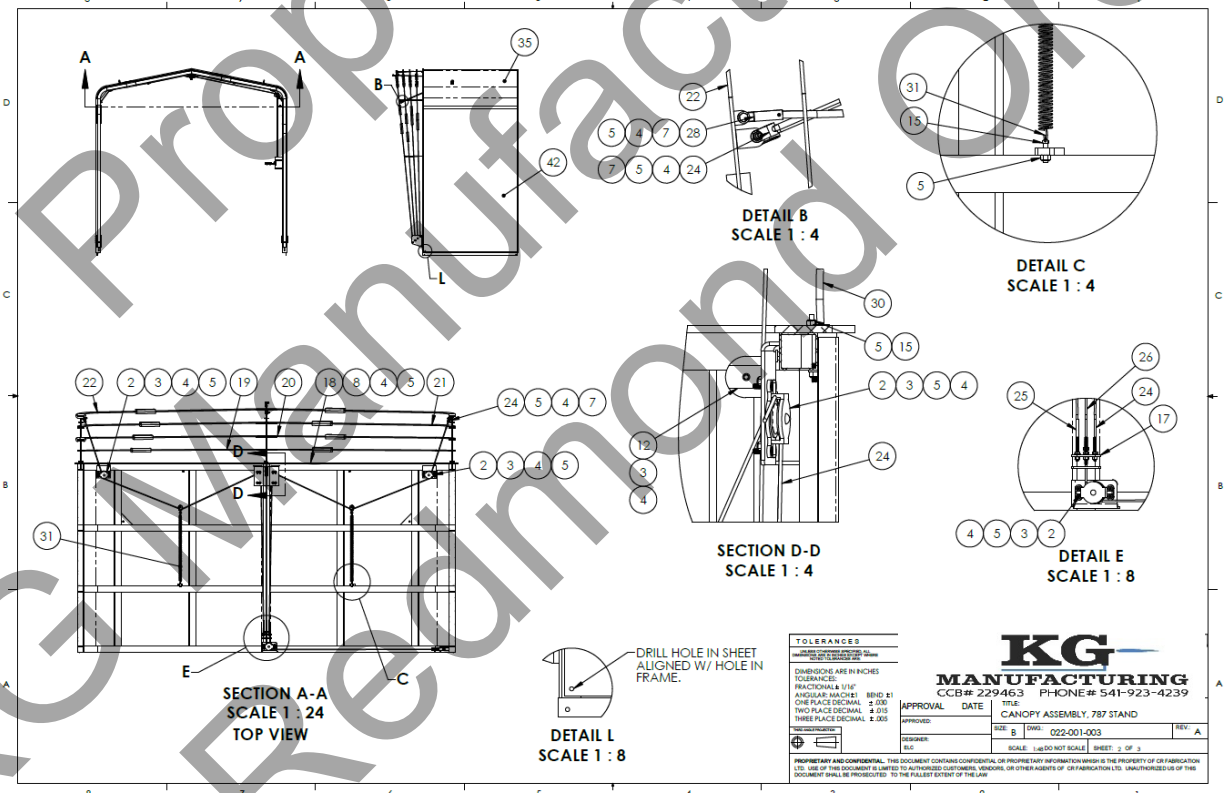
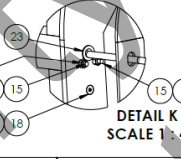
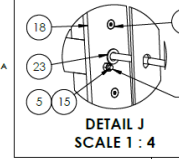
NOTES:
1. USE BLACK CABLE TIES TO ATTACH FOAM INSULATION TO BOWS.

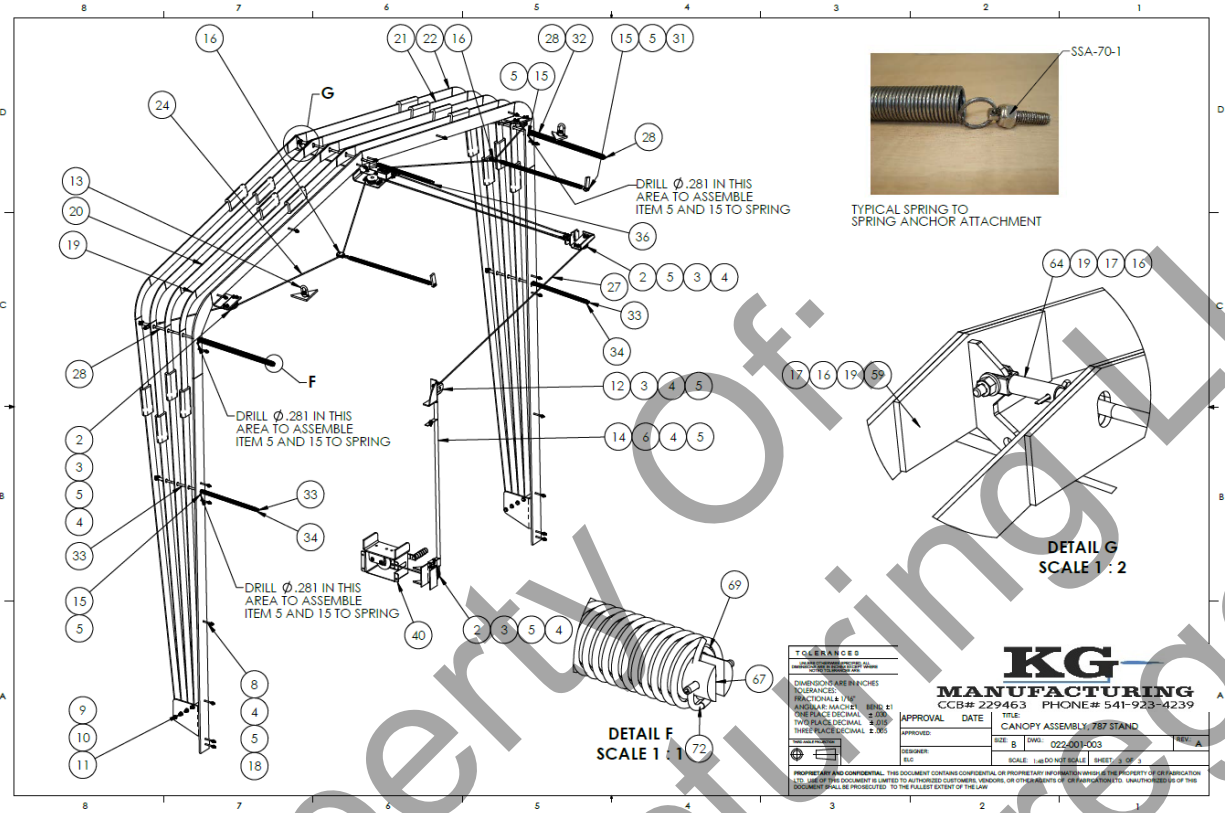
TOLERANCES
DIMENSIONS ARE IN INCHES
UNLESS OTHERWISE SPECIFIED
FRACTIONAL 1/16"
ANGULAR ROUNDED REND #1
ONE PLACE DECIMAL # .000
TWO PLACE DECIMAL # .015
THREE PLACE DECIMAL # .005

KG MANUFACTURING
CCB# 229463 PHONE# 541-923-4239

APPROVAL DATE TITLE
DESIGNER SIZE: 8 DRAW: 022-001-003 SHEET: 1 OF 3 REV: A

PROPRIETARY AND CONFIDENTIAL. THIS DOCUMENT CONTAINS CONFIDENTIAL OR PROPRIETARY INFORMATION WHICH IS THE PROPERTY OF KG FABRICATION LTD. USE OF THIS DOCUMENT IS LIMITED TO AUTHORIZED CUSTOMERS, VENDORS, OR OTHER AGENTS OF KG FABRICATION LTD. UNAUTHORIZED USE OF THIS DOCUMENT SHALL BE PROSECUTED TO THE FULLEST EXTENT OF THE LAW.





TOLERANCES	
DIMENSIONS ARE IN INCHES	
FRACTIONAL 1/16"	
DECIMAL 0.001" MIN. AT	
ONE PLACE DECIMAL 0.005"	
TWO PLACE DECIMAL 0.002"	
THREE PLACE DECIMAL 0.001"	
HOLE POSITION ±0.005"	
HOLE SIZE ±0.001"	
APPROVED	DATE
TITLE: CANOPY ASSEMBLY: 787 STAND	
DESIGNED BY: B	DRAWN: 022-003-003
SCALE: 1:1 (DO NOT SCALE)	SHEET: 2 OF 3

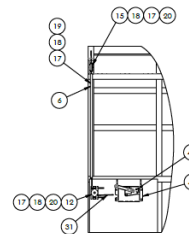
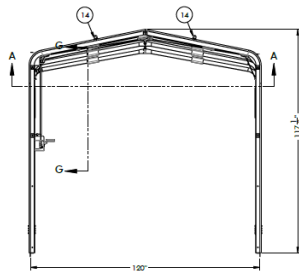
KG Manufacturing Original
 Properly
 Redmond Oregon

E119 WEATHER ENCLOSURE PART NO: CRF-BOE-007-001-001



OVERVIEW DRAWINGS

REV:	REVISED	DATE
A	CONCEPT METAL RELEASE	8/20/2021

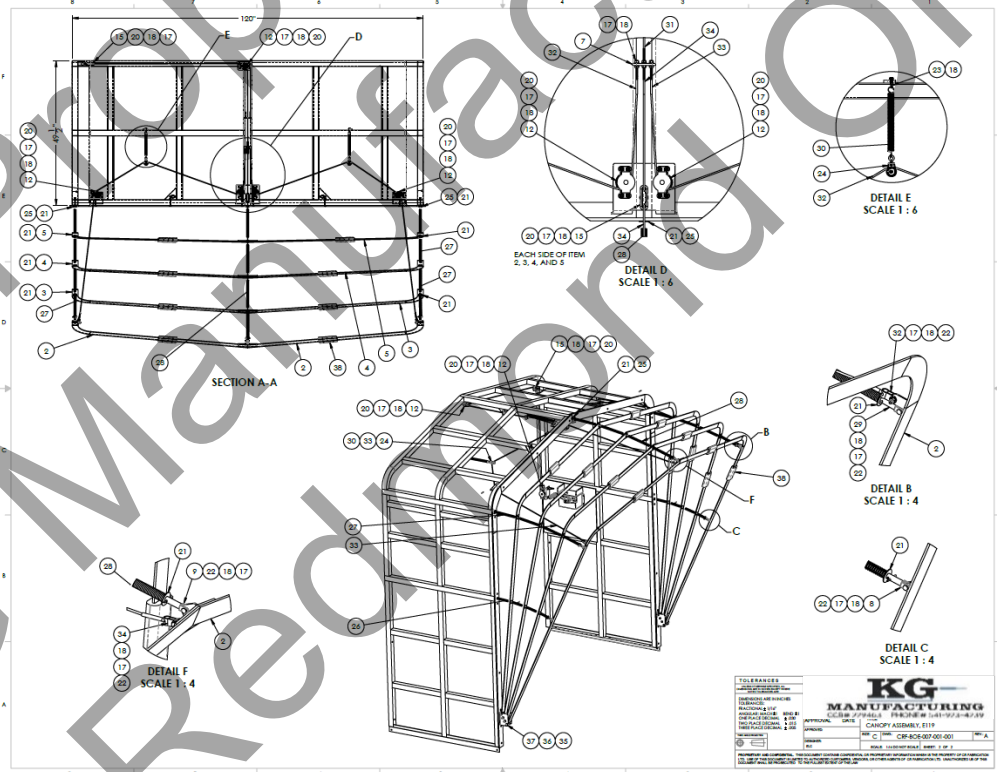


NOTES:
 1. USE BLACK CABLE TIES TO ATTACH MCMMAASK T2 TO ROW ASSEMBLIES.
 2. SEW MIL E119 G5E100-FARP HOT SHOWN.

ITEM NO.	QTY.	PART NUMBER	DESCRIPTION
1	1	CRP-BOE-007-002-001	CANOPY FRAME, E119
2	1	CRP-BOE-004-004-000	BOW #1
3	1	CRP-BOE-004-005-000	BOW #2
4	1	CRP-BOE-004-006-000	BOW #3 E119
5	1	CRP-BOE-004-007-000	BOW #4 E119
6	1	CRP-BOE-004-009-000	GUARD, CABLE
7	1	CRP-BOE-004-008-012	PLATE, STOP
8	2	CRP-BOE-004-015-000	ASSTY, OUTSIDE LOWER SPRING ROD
9	1	CRP-BOE-004-018-000	ASSTY, TOP CENTER SPRING ROD
10	1		SHF, 3105 ALUM. BRIGHT WHITE 2 SIDES, WHITL 2 SIDES, 040 X 48 X 144
11	2		SHF, 3105 ALUM. BRIGHT WHITE 2 SIDES, WHITL 2 SIDES, 040 X 48 X 58
12	6	307411	PULLEY ASSEMBLY, 2.00 OD X .25 WIRE ROPE, 4 HOLE MITG
13	1	CRP-BOE-004-023-000	FLANGE, CANHOPT
14	2	31457220	LIFTING EYE
15	2	308741	PULLEY ASSEMBLY, 2.00 OD X .25 WIRE ROPE, 4 HOLE MITG
16	19		PHCS 250-20 X 3.00 L, 18-8 SS
17	65		PW .050 USS SS
18	62		MN .25-20, INTLOCK, SS 18-8
19	2		PHCS 250-20X1.00 18-8 SS
20	25		PHCS 250-20 X 1.00 L, 18-8 SS
21	39		PW FENDER, 1.250 OD X .406 ID X 045-057 THK, 18-8 SS
22	6		PHCS .880-0 X 1.55, 18-8 SS
23	2	CRP-BOE-001-001-007	ANCHOR, SPRING, 250-20 UNIC X
24	2	33137870	PULLEY, HAWKING, STAINLESS STEEL, 1.250 OD X .406 ID X 045-057 THK, 18-8 SS
25	5	10956 6R-08 1008	FLG BUSHING, ASSOC X 50 ID X 1.00
26	8	047-000-623	SPRING, COMP, 750 OD X .080 WIRE DIA, STEEL W ZINC-3.25 IN.
27	8	047-000-619	SPRING, COMP, 750 OD X .105 WIRE DIA, STEEL W ZINC-3.25 IN.
28	4	047-000-514	SPRING, COMP, 750 OD X .105 WIRE DIA, STEEL W ZINC-1400
29	2	CRP-BOE-004-017-000	ASSTY, OUTSIDE UPPER SPRING ROD
30	5	047-000-567	SPRING, EXTENSION
31	1	047-000-836	CABLE ASSEMBLY, WHICH, E119
32	1	CRP-BOE-007-001-005	CABLE ASSEMBLY, HOUSE, OUTSIDE, UPPER, E119
33	1	CRP-BOE-007-001-006	CABLE ASSEMBLY, HOUSE, OUTSIDE, LOWER, E119
34	1	CRP-BOE-007-001-004	CABLE ASSEMBLY, HOUSE, CENTER, UPPER, E119
35	8		PHCS .375-16x3.00 18-8 SS
36	8		PW .375 SAE 18-8 SS
37	8		MN .375-16, INTLOC-06 SS
38	16	MCM 4443K107	PCWAVE REGULATORY, 1.750 DIA, 58 THK X .875 L, 18-8 SS
39	1	SEW MIL E119 G5E100	SEW CANHOPT TARP
40	1	5403CH-042	MANUAL WINCH, 100#
41	1	CRP-BOE-007-002-001	WHICH GUARD

TOLERANCES
 UNLESS OTHERWISE SPECIFIED:
 DIMENSIONS IN PARENTHESES ARE FOR INFORMATION ONLY.
 DIMENSIONS IN BRACKETS ARE FOR INFORMATION ONLY.
 DIMENSIONS IN QUOTES ARE FOR INFORMATION ONLY.
 DIMENSIONS IN DASHES ARE FOR INFORMATION ONLY.
 DIMENSIONS IN SLASHES ARE FOR INFORMATION ONLY.
 DIMENSIONS IN UNDERLINES ARE FOR INFORMATION ONLY.
 DIMENSIONS IN OVERLINES ARE FOR INFORMATION ONLY.
 DIMENSIONS IN COMMAS ARE FOR INFORMATION ONLY.
 DIMENSIONS IN PERCENTS ARE FOR INFORMATION ONLY.
 DIMENSIONS IN PERIODS ARE FOR INFORMATION ONLY.
 DIMENSIONS IN COLONS ARE FOR INFORMATION ONLY.
 DIMENSIONS IN SEMICOLONS ARE FOR INFORMATION ONLY.
 DIMENSIONS IN AMPERSANDS ARE FOR INFORMATION ONLY.
 DIMENSIONS IN AT SYMBOLS ARE FOR INFORMATION ONLY.
 DIMENSIONS IN HASH SYMBOLS ARE FOR INFORMATION ONLY.
 DIMENSIONS IN DOLLAR SYMBOLS ARE FOR INFORMATION ONLY.
 DIMENSIONS IN PERCENT SIGN SYMBOLS ARE FOR INFORMATION ONLY.
 DIMENSIONS IN CARET SYMBOLS ARE FOR INFORMATION ONLY.
 DIMENSIONS IN TRADE SYMBOLS ARE FOR INFORMATION ONLY.
 DIMENSIONS IN OTHER SYMBOLS ARE FOR INFORMATION ONLY.

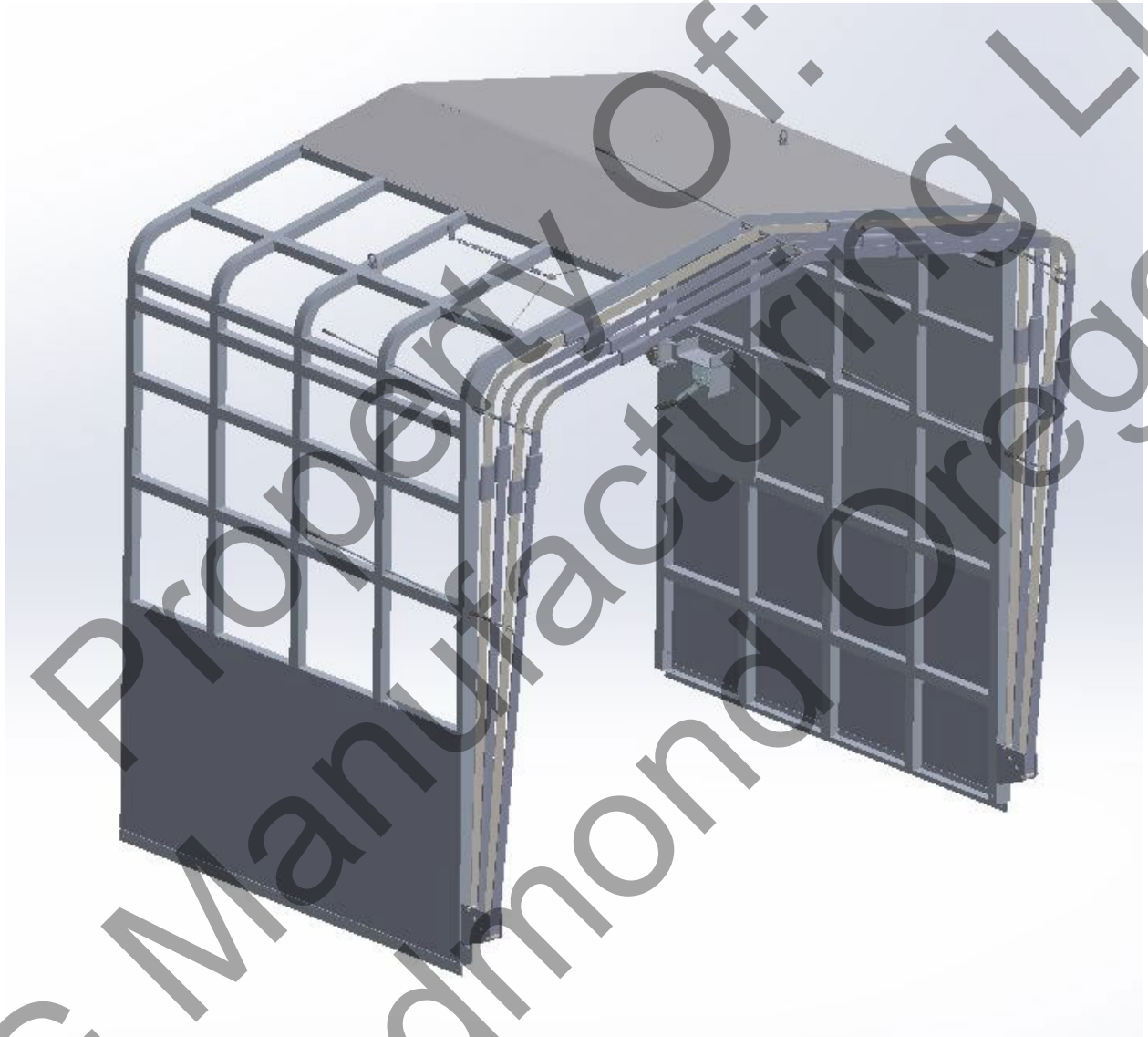
KG MANUFACTURING
 10000 N. 100th St., Suite 100, Portland, OR 97220
 (503) 253-1111
 www.kgmanufacturing.com
 PROJECT: CANOPY ASSEMBLY E119
 PART: CRP-BOE-007-001-001
 REV: 1
 DATE: 10/20/2021
 DRAWN BY: [Name]
 CHECKED BY: [Name]
 APPROVED BY: [Name]



TOLERANCES
 UNLESS OTHERWISE SPECIFIED:
 DIMENSIONS IN PARENTHESES ARE FOR INFORMATION ONLY.
 DIMENSIONS IN BRACKETS ARE FOR INFORMATION ONLY.
 DIMENSIONS IN QUOTES ARE FOR INFORMATION ONLY.
 DIMENSIONS IN DASHES ARE FOR INFORMATION ONLY.
 DIMENSIONS IN SLASHES ARE FOR INFORMATION ONLY.
 DIMENSIONS IN UNDERLINES ARE FOR INFORMATION ONLY.
 DIMENSIONS IN OVERLINES ARE FOR INFORMATION ONLY.
 DIMENSIONS IN COMMAS ARE FOR INFORMATION ONLY.
 DIMENSIONS IN PERCENTS ARE FOR INFORMATION ONLY.
 DIMENSIONS IN PERIODS ARE FOR INFORMATION ONLY.
 DIMENSIONS IN COLONS ARE FOR INFORMATION ONLY.
 DIMENSIONS IN SEMICOLONS ARE FOR INFORMATION ONLY.
 DIMENSIONS IN AMPERSANDS ARE FOR INFORMATION ONLY.
 DIMENSIONS IN AT SYMBOLS ARE FOR INFORMATION ONLY.
 DIMENSIONS IN HASH SYMBOLS ARE FOR INFORMATION ONLY.
 DIMENSIONS IN DOLLAR SYMBOLS ARE FOR INFORMATION ONLY.
 DIMENSIONS IN PERCENT SIGN SYMBOLS ARE FOR INFORMATION ONLY.
 DIMENSIONS IN CARET SYMBOLS ARE FOR INFORMATION ONLY.
 DIMENSIONS IN TRADE SYMBOLS ARE FOR INFORMATION ONLY.
 DIMENSIONS IN OTHER SYMBOLS ARE FOR INFORMATION ONLY.

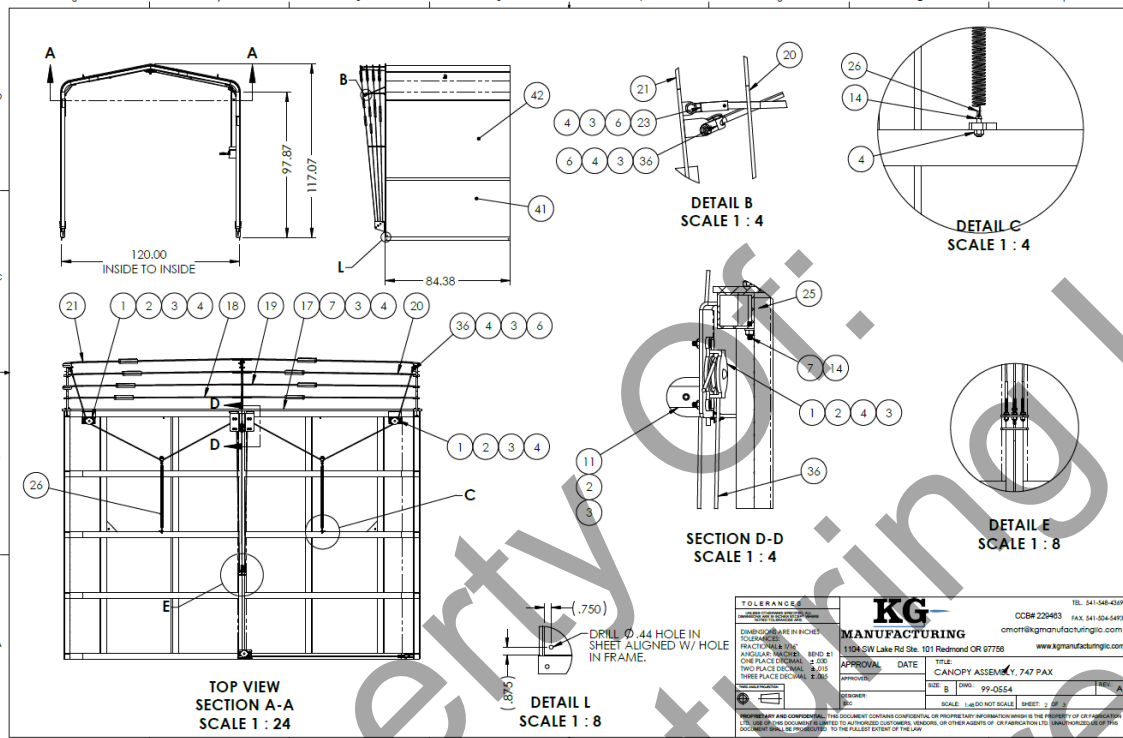
KG MANUFACTURING
 10000 N. 100th St., Suite 100, Portland, OR 97220
 (503) 253-1111
 www.kgmanufacturing.com
 PROJECT: CANOPY ASSEMBLY E119
 PART: CRP-BOE-007-001-001
 REV: 1
 DATE: 10/20/2021
 DRAWN BY: [Name]
 CHECKED BY: [Name]
 APPROVED BY: [Name]

747 PAX EXTENDED WEATHER ENCLOSURE PART NO: 99-0554

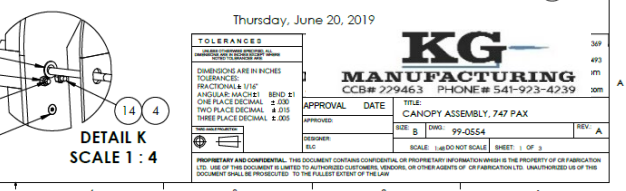
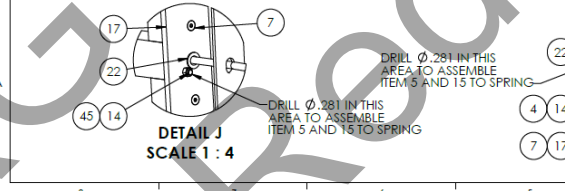
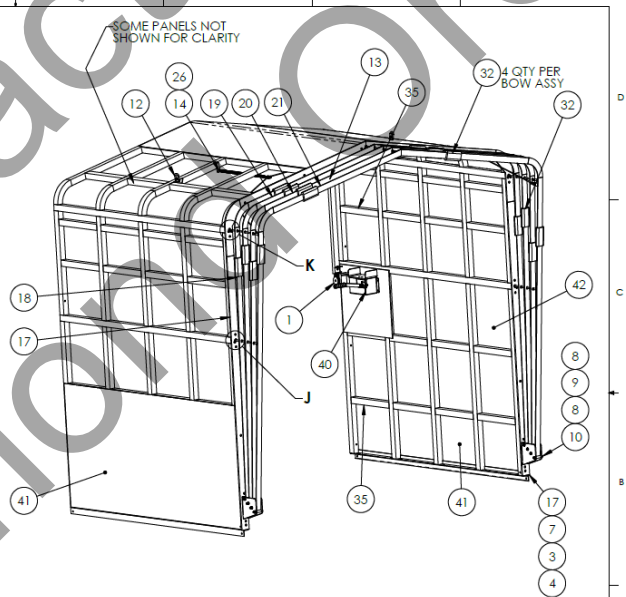


KG Manufacturing LLC
Property of KG Manufacturing LLC
Redmond Oregon

OVERVIEW DRAWINGS

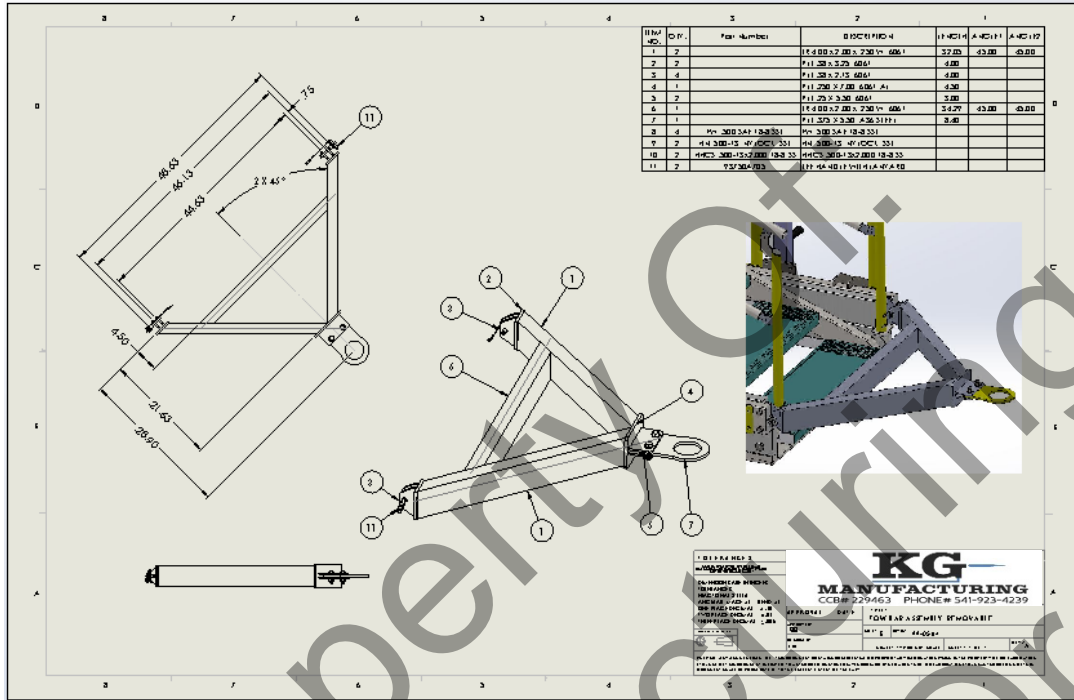


ITEM NO.	QTY.	PART NUMBER	DESCRIPTION	LENGTH
1	6	307#11	PULLEY ASSEMBLY, 2.00 O.D. X .25 WIRE ROPE 4 HOLE MTG	
2	28	PHCS .250X1.500L 18-8 SS		
3	68	PW .250X1.515		
4	69	HN .25-.20, NITLOCK, SS 18-8		
5	2	HNCS .250-20X1.00 18-8 303		
6	8	HNCS .250-20 X 1.25 18-8 303		
7	20	PHCS .250 X 2.00L 18-8 SS		
8	16	PW .375 SAE 18-8 SS		
9	8	HN .375 SAE, NITLOCK, SS		
10	8	HNCS .375-18.8X1.5 SS		
11	6	3047741	PULLEY ASSEMBLY, 2.00 O.D. X .25 WIRE ROPE, 2 HOLE MTG	
12	2	3148720	LIFTING EYE	
13	1	022-002-006	TUBE ASSEMBLY, CABLE GUIDE, 787	
14	9	3346701	SPRING ANCHOR, .250-20 UNIC X 1.250 OAL, CBIT SPRING	
15	2	3371570	PULLEY HANGING, Stainless Steel, 1.25 PULLEY DIA, ZINNYE MOUNT	
16	1	CRF-30E-004-008-012	PLATE, STOP	
17	1	CRF-30E-002-003-000	FLANGE ASSEMBLY, CANOPY, 787 STAND	
18	1	022-002-018	BOW #4, 787 STAND	
19	1	022-002-017	BOW #3, 787 STAND	
20	1	022-002-016	BOW #2, 787 STAND	
21	1	022-002-015	BOW #1, 787 STAND	
22	3	99-0810-008	FLG BUSHING .62500 X .50 ID X 1.00 LG W FLANGE	
23	2	022-002-021	ROD ASSEMBLY, SPRING, LOWER, 787 STAND	
24	2	022-002-029	SPRING, EXTENSION, TOP, SIDE, 787 STAND	
25	1	022-002-021	TOP	
26	2	022-002-030	SPRING, TENSION TAKEUP, 787 CANOPY	
27	2	022-002-031	SPRING, EXTENSION, TOP, 787 CANOPY	
28	2	022-002-022	ROD ASSEMBLY, SPRING, LOWER, 787 STAND	
29	2	022-002-032	SPRING, LOWER, SIDE, 787 CANOPY	
30	1	022-002-033	SPRING, EXTENSION, TOP, CENTER, 787 CANOPY	
31	1	787-0211-12489	TARP ASSEMBLY, 787 CANOPY	
32	16	MCM 4445K127	FOAM INSULATION, 1.25 ID X .38 THK X 4 FT LONG, BLACK	
33	1	DL900A	WIPERES	
34	1	99-0165	SPACER, BRAKE, WHICH	
35	1	99-0553		
36	1	022-002-019-124	CABLE ASSEMBLY, SIDE, 747 PAX CANOPY	
37	1	022-002-019-124	CABLE ASSEMBLY, SIDE, 747 PAX CANOPY	
38	1	022-002-019	CENTER CABLE, 787 CANOPY	
39	1	022-002-041	CABLE ASSEMBLY, WHICH, 747 PAX	
40	1	99-0000	GUIDE, WHICH	
41	2	99-0559	SHEET, BRIGHT WHITE 2 SIDES, VINYL 2 SIDES, .040 THK X 40.00, 3106 ALUM	83.50
42	2	99-0560	SHEET, BRIGHT WHITE 2 SIDES, VINYL 2 SIDES, .040 THK X 54.50, 3106 ALUM	83.50
43	2	99-0561	SHEET, BRIGHT WHITE 2 SIDES, VINYL 2 SIDES, .040 THK X 48.48, 3106 ALUM	83.50
44	1	99-0862	SHT, BRIGHT WHITE 2 SIDES, VINYL 2 SIDES, .040 THK X 47.87, 3106 ALUM	83.50
45	2	HN .25-.20, NITLOCK, SS 18-8		



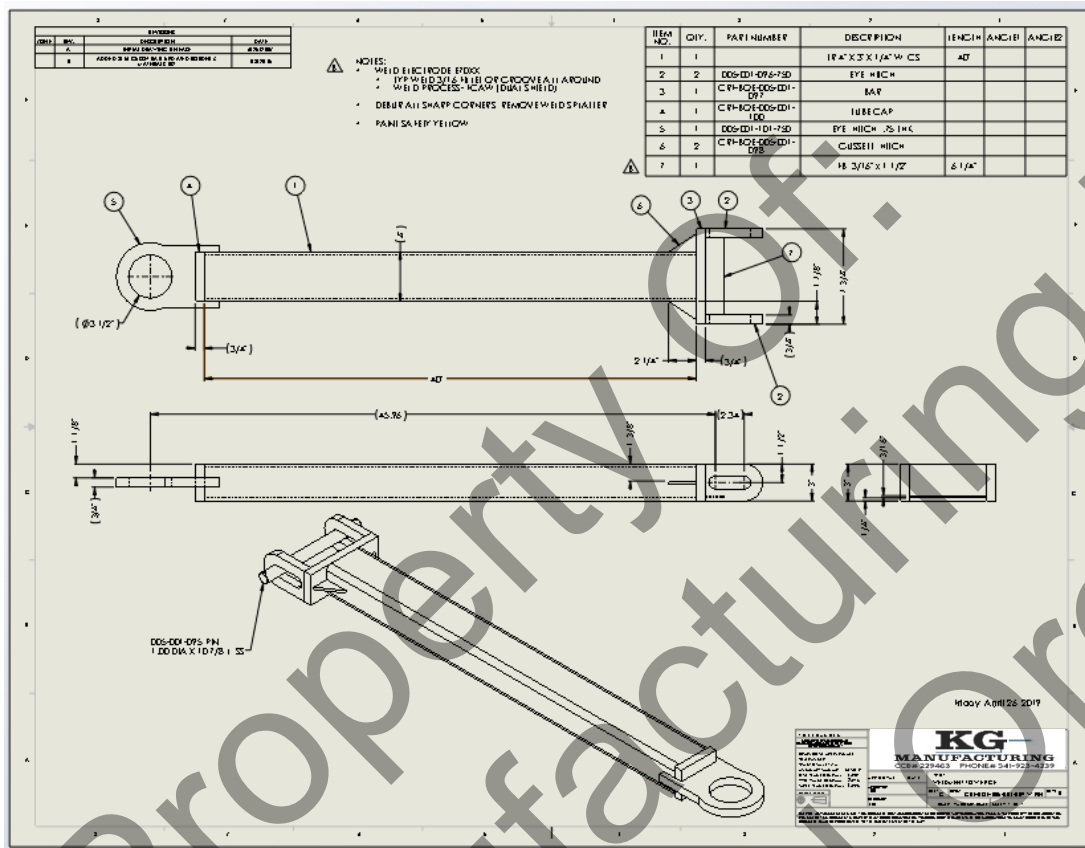
REMOVABLE TOW BAR

OVERVIEW DRAWINGS



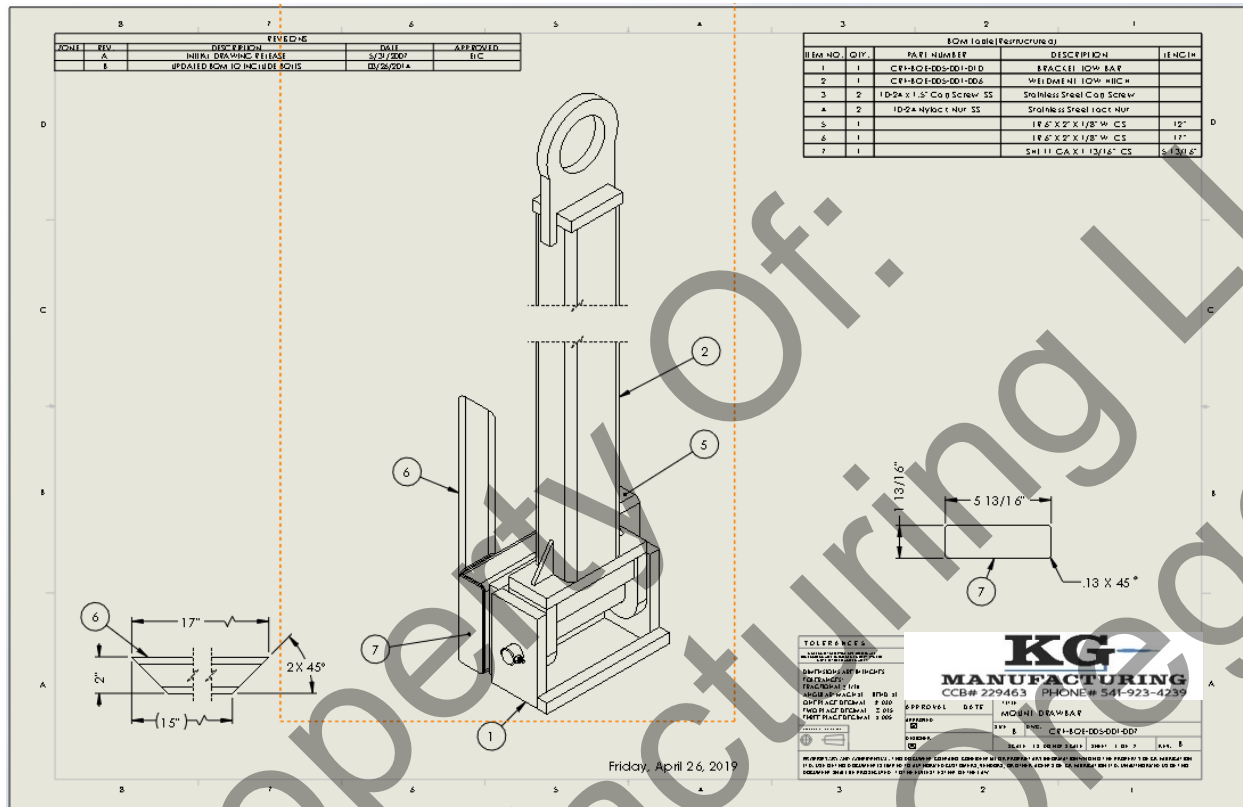
TOW BAR WELDMENT WITH PIN

OVERVIEW DRAWINGS

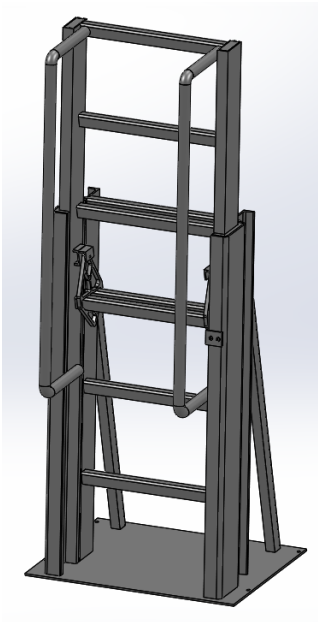


WELDMENT TO FRAME OF LOWER ASSEMBLY TOW BAR

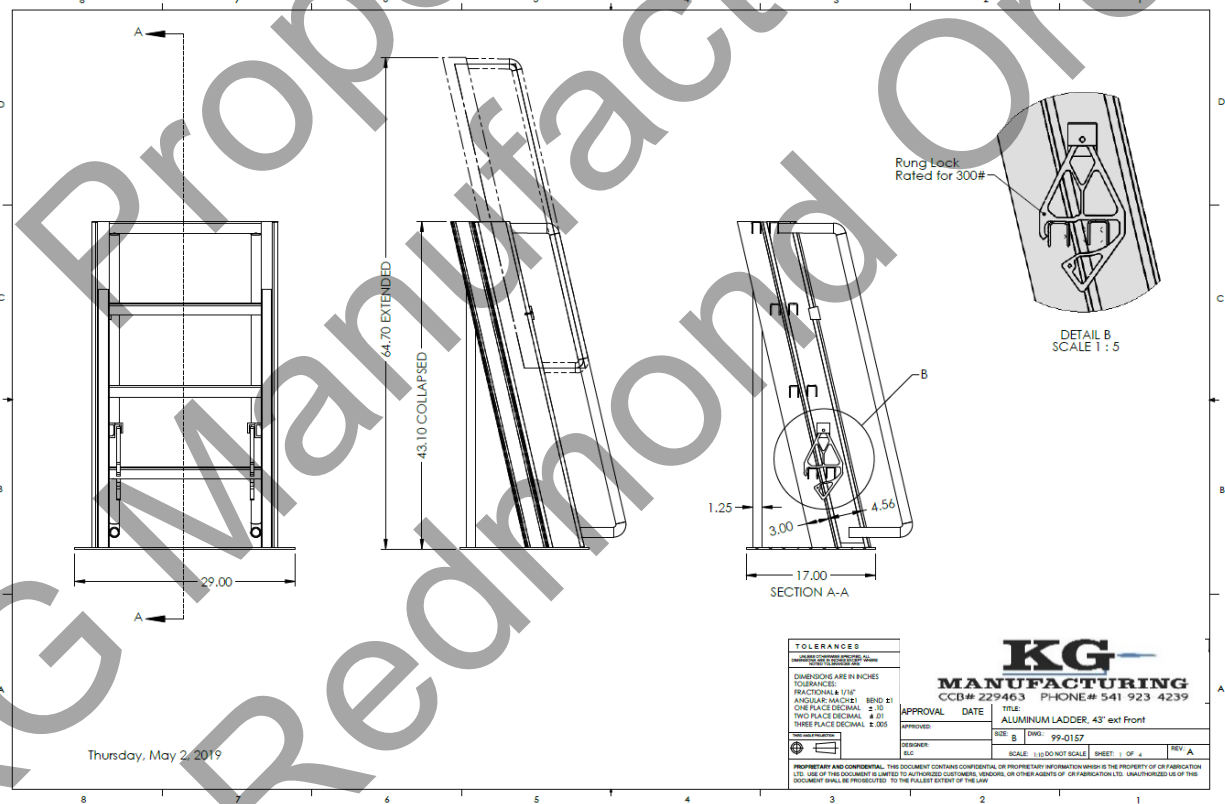
OVERVIEW DRAWINGS



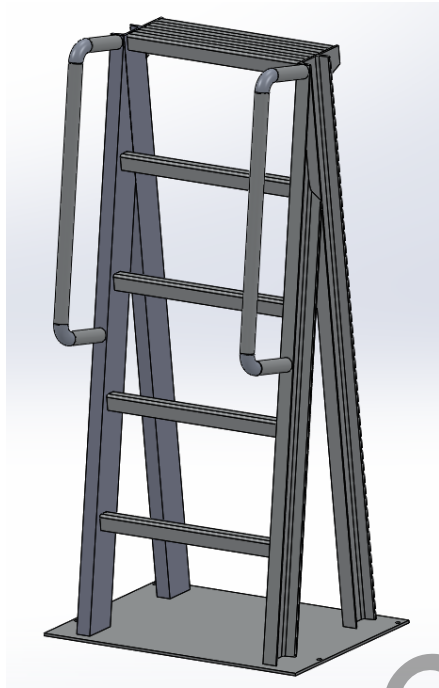
EXTENSION LADDER PART NO: 99-0157



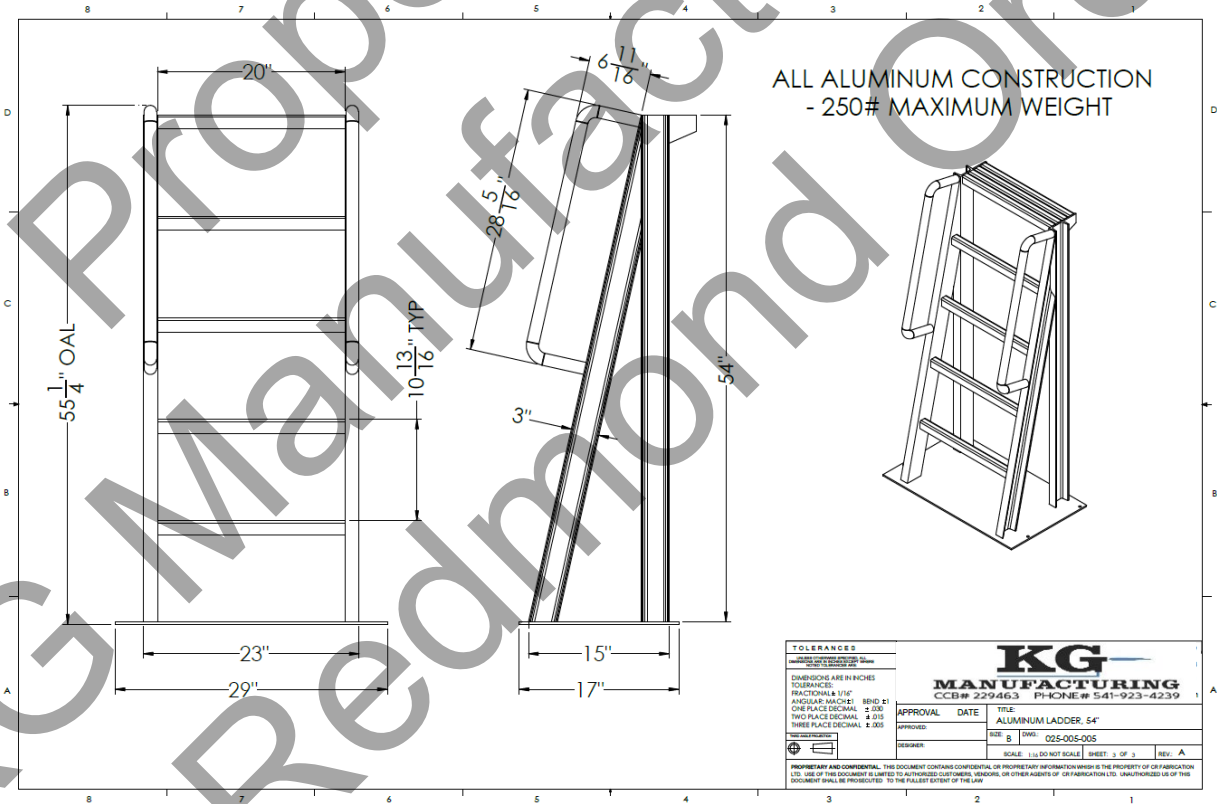
OVERVIEW DRAWINGS



FIXED HEIGHT LADDER PART NO: 025-005-005



OVERVIEW DRAWINGS



BOEING PROPRIETARY STANDS

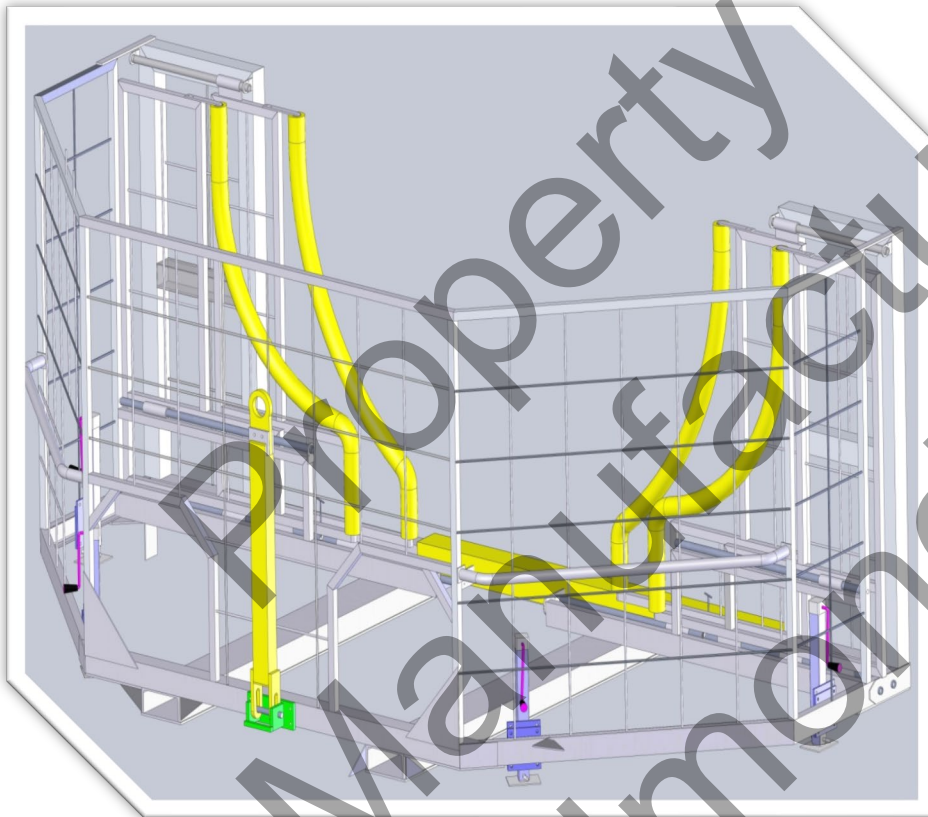
CASCADE GSE

A division of

KG MANUFACTURING LLC.

ENGINE RUN SCREEN

Model # Engine Run Screen



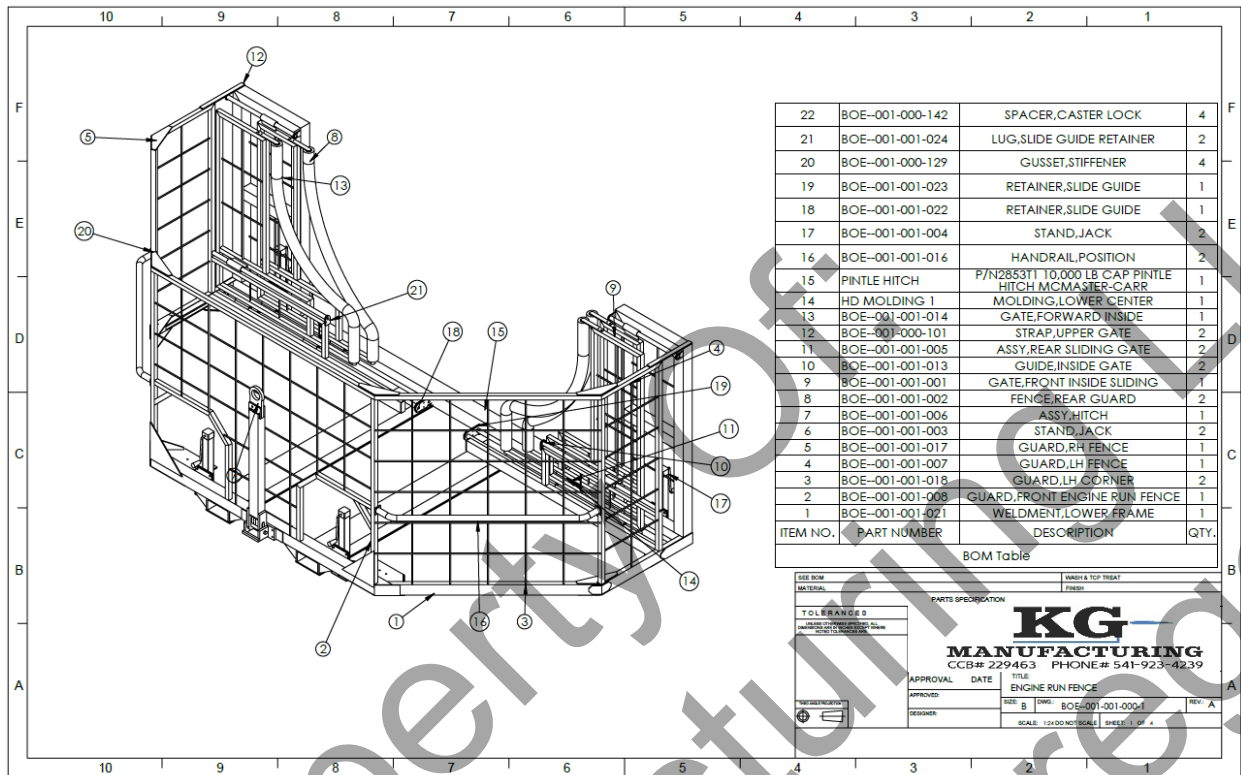
- All Aluminum Construction
- Dual Sliding Gates to accommodate Inboard and Outboard Engines
- Non-Marking Padding
- Locking Swivel Casters
- 4-7000 Lb. Jacks to Adjust Height
- Tow Bar

**MODEL
NUMBER**

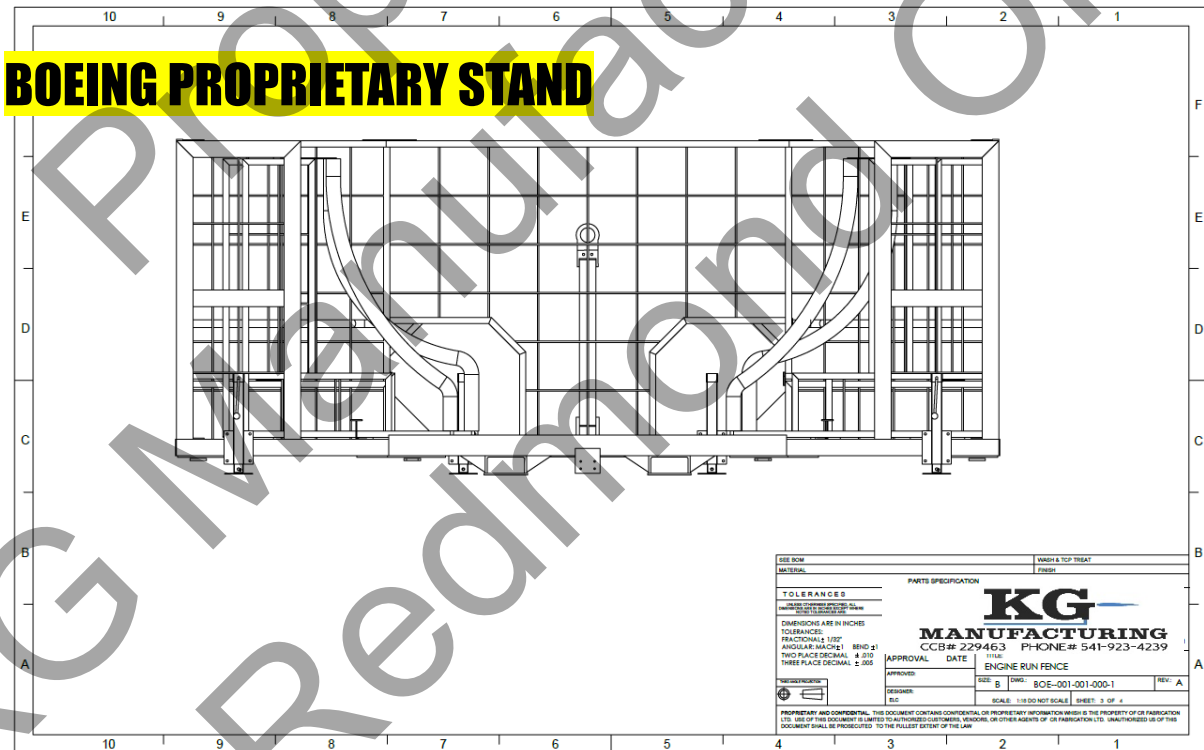
Engine Run Screen

BOEING PROPRIETARY STAND

OVERVIEW DRAWINGS



BOEING PROPRIETARY STAND



BOEING PROPRIETARY STAND



CASCADE GSE

A division of

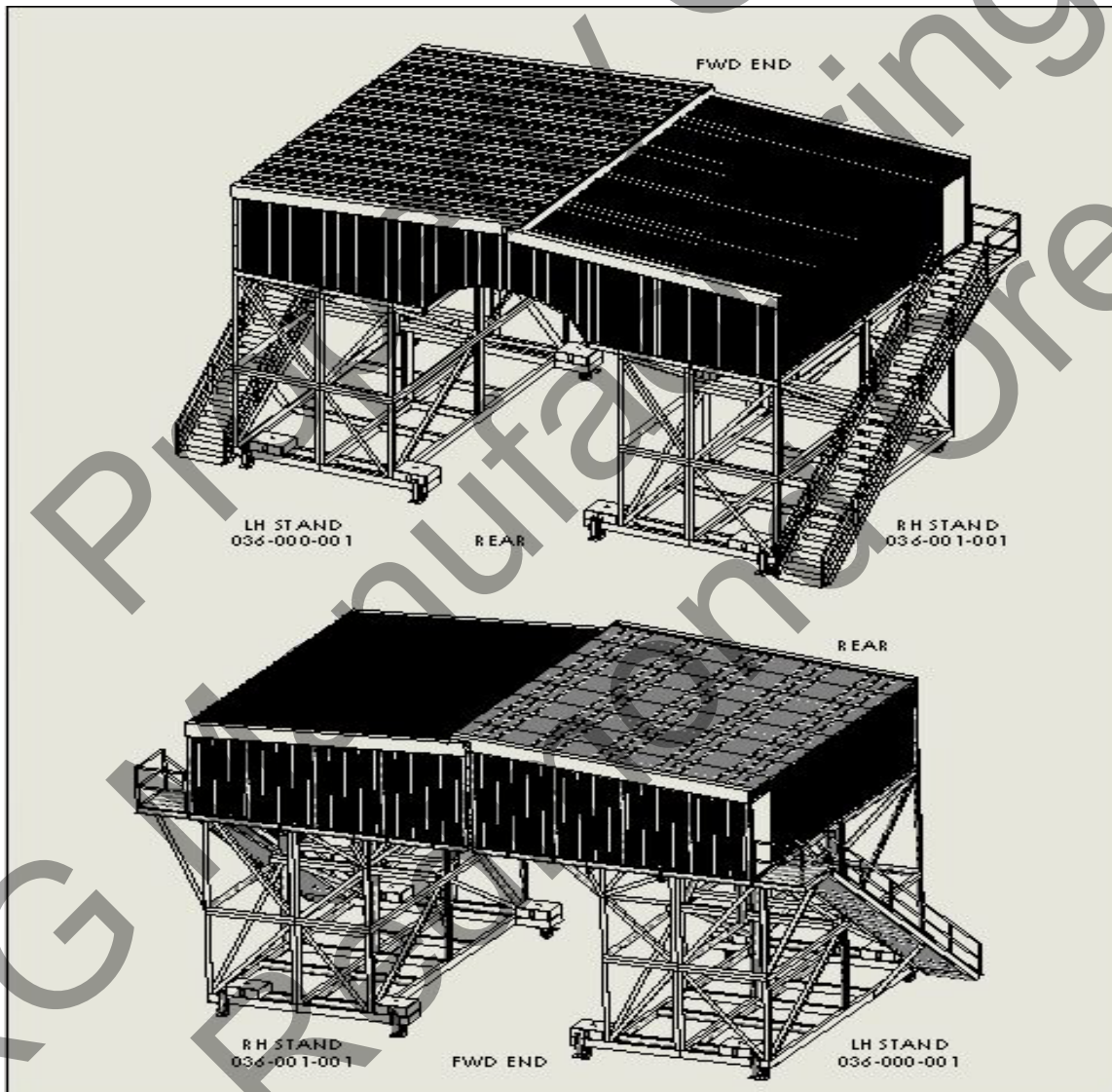
KG MANUFACTURING LLC.

757 SENSOR WING STAND

Model # 757-Sensor Wing Stand-Left

Model # 757-Sensor Wing Stand-Right

BOEING PROPRIETARY STAND



OVERVIEW DRAWINGS



BOEING PROPRIETARY STAND