

e-Flaps
DELUXE FLAP CONTROLLER

**INSTALLATION MANUAL
FOR
EXPERIMENTAL AIRCRAFT**

P/N 2074

SPECIFICATION IP-2074

REV. 1

Feb. 22, 2021

BJO

Approved

Aircraft Components, Inc.
www.flyingsafer.com

For Experimental Category Aircraft Only. Not FAA Approved



I. INTRODUCTION

Welcome to the world of **e-Flaps**, the electronic Flap Controller. This manual provides information for installing and operating the Flap Controller on an experimental aircraft using a linear actuator to position the flaps. All installation work should be performed in accordance with this manual and the applicable sections of AC 43.13-1B.

II. SYSTEM DESCRIPTION

The Deluxe Flap Controller is an electronic device that automatically positions the Electric Flaps in four selectable positions: “**Up**”, “**1**”, “**2**” and “**3**”. Each position can be calibrated to stop the flaps at a user determined flap angle.

Flap positions are selected by pressing four push-type green LED illuminating switches (switch-lights) located on a 137mm x 42.5 flap controller module that can be mounted **vertically** or **horizontally** in any convenient instrument panel or console location. Flap position is indicated by the steady illumination of one of the module switch-lights and corresponding LED. This removes the requirement for a separate flap position indicator but a RAC POS-12 or similar, position sensor must be installed, or the actuator must include this sensor internally.

The Deluxe Flap Controller incorporates an interconnect to the optional P/N 2070, or 2080 Gear Alert systems used on amphibian aircraft thereby eliminating the need to install a separate flap position cam and micro switch.

Weighing only 8 oz, easy to read, and fully automatic, the Flap Controller removes the guesswork and distraction of manually positioning flaps during the busy approach and departure phases of flight.

III. SYSTEM OPERATION

When power is applied to the Deluxe Flap Controller the system does a self test, each of the four switch-lights illuminating briefly in sequence. If the self test is successful one switch-light will remain “ON” indicating the current flap position. In the unlikely event that the flaps are in an intermediate position no switch light will illuminate. Pressing any switch-light will cause the Flap Controller to move the flaps to the selected position. If the self test fails, switch-light “2” and “3” will alternate “ON” and “OFF” indicating that the system has a broken wire or has not been calibrated.

Warning: Do not use the Flap Controller until the system is calibrated. Failure to calibrate the system could cause damage to actuators that do not have internal limit switches.

To select a flap position, briefly press the desired switch-light. The current flap position switch-light will extinguish. The selected switch-light flashes while the flaps are in motion and remains ON STEADY once the flaps arrive at the new position. If desired, flaps can be moved several positions at once. For example if the flaps are “UP” and position “3” is desired, briefly pressing switch-light “3” will cause the flaps to transition directly from “UP” to position “3”.

If the position-sensing functions fails in flight it is possible to use the Flap Controller to manually position the flaps.

- a. First remove all power to the Flap Controller.
- b. Now hold the “UP” switch-light depressed while reapplying power to the Flap Controller. This will place the Flap Controller in Manual Mode.
- c. While in Manual Mode, holding the “UP” switch-light will move the flaps “UP” and holding “1” switch-light will move the flaps “DOWN”

In Manual Mode the Flap Controller does not indicate flap position. The flap actuator should stop the flaps motion when the internal limit switches are reached (if installed). Intermediate positions will have to be estimated by watching the flap movement.

IV. APPLICABILITY

This system is **not FAA approved**. It is intended for installation on **Experimental** category aircraft only. The aircraft must meet the following minimum requirements for an installation.

- a. 12 or 24 volt DC power.
- b. Linear actuator rated no more than 8 amps and with fixed internal limit switches.
- c. Linear actuator with internal position sensors or an external RAC POS-12 Position Sensor or similar. The position sensor must have a resistance of 5 Kohm to 10 Kohm.
- d. Tefzel wire sized and protected according to AC43.13-1B.

V. COMPONENT INSTALLATION AND WIRING

Basic Installation

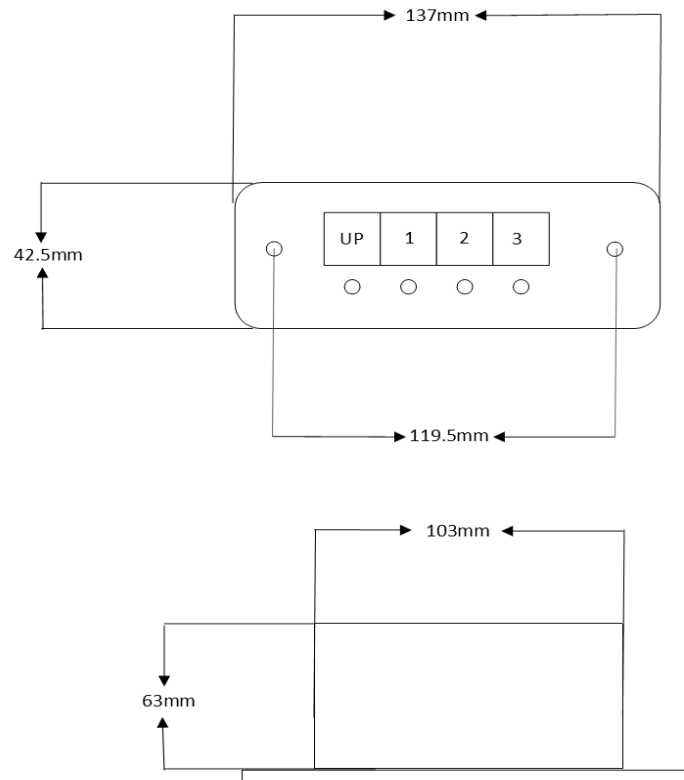
NOTE – Do not have a battery charger hooked up while this unit is powered up as it may damage some of the electronics. Unit should be run off battery power only.

- a. The Deluxe Flap Controller can be mounted vertically or horizontally in the instrument panel or any convenient consol that is within easy reach and sight of the pilot. The mounting position must have sufficient space to allow for the depth of the Flap Controller module.
- b. This manual assumes that the aircraft has a linear flap actuator with fixed internal limit switches and rated to a maximum of 8 amps under load. If actuator is rated more than 8 amps, 2 relays will have to be installed to control the actuator power (one for each line). The flap actuator should be installed so that the internal limit switches will stop the flaps at the zero-flap and full-flap positions. If actuator does not have internal limit switches, it is recommended to install them.
- c. This manual assumes that the actuator has internal position sensor leads or the aircraft has a RAC POS-12 Position Sensor (or similar) installed so that the sliding arm moves in conjunction with the flaps and reaches full extension or is fully retracted with the flaps at the actuator internal limit switch positions.
- d. Connect the RED wire to 12 or 24 volt DC aircraft power using Tefzel wire sized and protected according to AC43.13-1B.
- e. Connect the BLACK wire to a convenient ground using appropriate Tefzel wire.
- f. Connect the VIOLET wire to the 2070 or 2080 Gear Alert landing position sensor wire (as installed). This connection will provide a low whenever flaps are in position “2” or greater triggering the select landing response from the gear alert systems.
- g. Using a bare-wire splice, temporarily connect the WHITE/BLACK wire to one of the flap actuator power inputs with appropriately sized Tefzel wire.
- h. Using a bare-wire splice, temporarily connect the WHITE wire to the other flap actuator power input with appropriately sized Tefzel wire.
- i. Using a bare-wire splice, temporarily connect the #22 AWG ORANGE (sensor voltage) wire to the ORANGE/WHITE wire on the RAC POS-12 Position Sensor. The
- j. Using a bare-wire splice, temporarily connect the #22 AWG YELLOW (signal) wire to the GREEN/WHITE wire on the RAC POS-12 Position Sensor.
- k. Using a bare-wire splice, temporarily connect the #22 AWG GREEN (sensor ground) wire to the BLUE/WHITE wire on the RAC POS-12 Position Sensor.

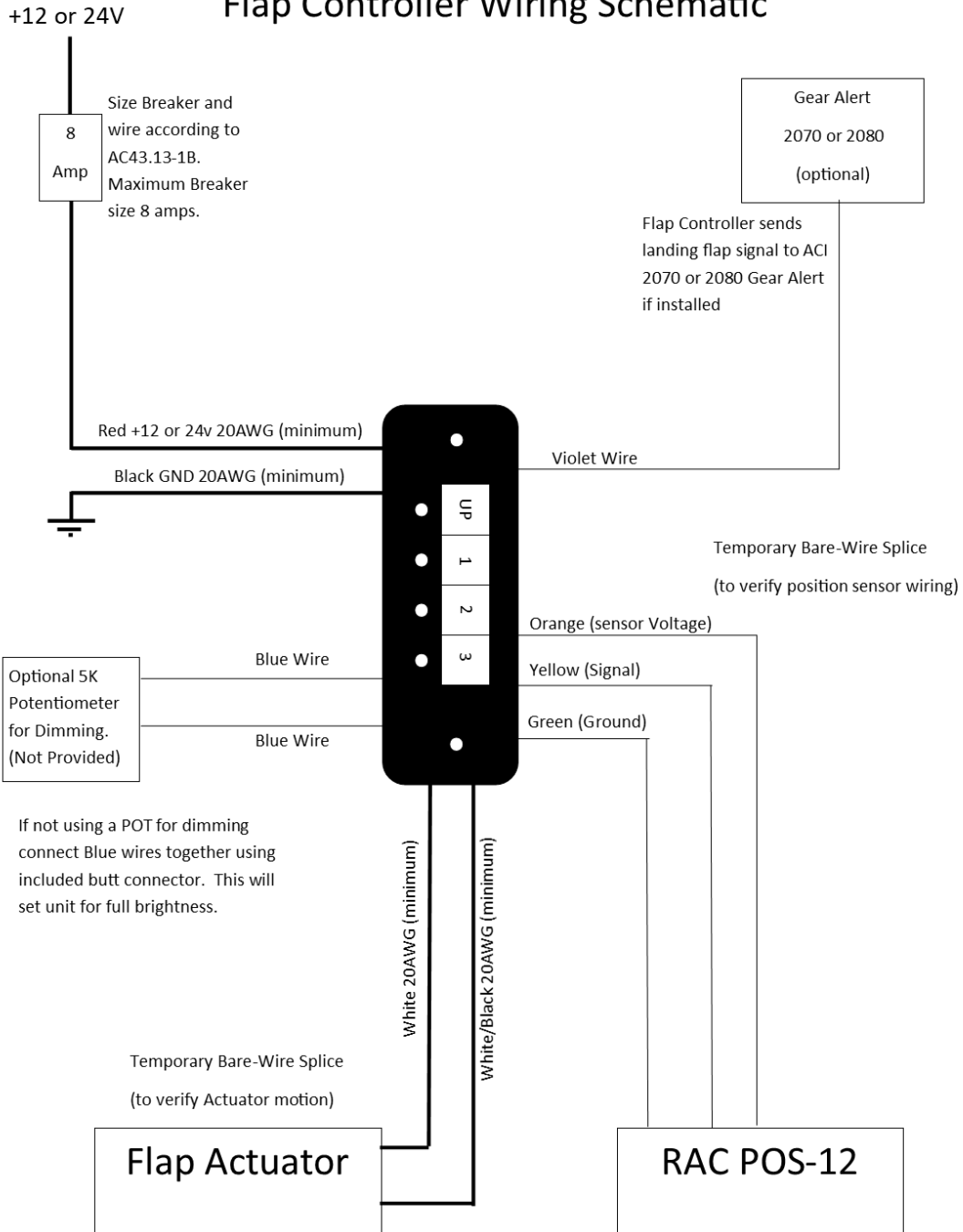
Flap Controller

1. Blue wires can be hooked to a 5k Potentiometer (Not Provided) to provide dimming. If no Pot is used connect blue wires together using provided butt connector to set unit at full brightness.

Dimension Diagram



Flap Controller Wiring Schematic



Verifying Actuator Motion

- a. Insure that the Flap Controller is “OFF”. Place the Flap Controller in “Manual Mode” by holding the “UP” switch-light depressed while applying power until the UP switch-light flashes.
- b. In Manual Mode pressing the “UP” switch-light should now move the flaps “UP” and pressing the “1” switch-light should move the flaps “DOWN”.
- c. If pressing the “UP” and “1” switch-lights move the flaps in the wrong direction, reverse the WHITE/BLACK and WHITE wire connections to the flap actuator.
- d. When the Flap Controller moves the flaps in the correct direction permanently connect and insulate the WHITE/BLACK and WHITE wires.

Verifying Position Sensor Wiring

- a. Insure that the Flap Controller is in “Manual Mode”.
- b. Push the “UP” or “1” switch-lights to move the flaps to a mid position.
- c. Use a Digital Volt-Ohm Meter (DVOM) to measure the voltage at each of the sensor temporary splice positions. The voltage at the Flap Controller YELLOW wire connection should read approximately 2.4 volts. The voltage at the other two temporary splices should read zero (ground) and slightly less than 5 volts. With the flaps in a mid position the Flap Controller YELLOW wire must read a voltage greater than the GREEN wire splice and less than the ORANGE wire splice. Reconnect the wires until the test voltages are correct.
- d. Move the flaps towards the UP position and measure the voltage at the Flap Controller YELLOW wire connection. The voltage should have increased from the previous 2.4 volt reading. If the voltage is lower, swap the wires connected to the Flap Controller ORANGE and GREEN wires.
- e. Permanently connect and insulate the YELLOW, ORANGE and GREEN wires.
- f. Now move the flaps in the up direction until the internal limit switch shuts the actuator off. Measure and record the voltage on the YELLOW wire. Move the flaps in the down direction until the internal limit switch stops the actuator. Again measure and record the voltage on the YELLOW wire.

VI. SYSTEM CALIBRATION

Note – For the system to function correctly, the actuator must be installed so that the flaps are stopped by the Flap Controller, and not by the internal actuator limit switches.

- a. With the Flap Controller in Manual Mode move the flaps to the position that you want for full UP. Measure the voltage on the YELLOW wire. It must be at least 0.05v less than the full up internal limit switch shut-off position voltage recorded in (f) above. If it is not, it will be necessary to adjust the flap position linkage to guarantee that the limit switch activation point is beyond the desired full up position.
- b. While holding the “3” switch-light depressed, press and hold the “UP” switch-light until the “UP” switch-light flashes once.
- c. With the Flap Controller in Manual Mode move the flaps to the first desired flap position.
- d. While holding the “3” switch-light depressed, press and hold the “1” switch-light until the “1” switch-light flashes once.
- e. With the Flap Controller in Manual Mode move the flaps to the second desired flap position.
- f. While holding the “3” switch-light depressed, press and hold the “2” switch-light until the “2” switch-light flashes once.
- g. With the Flap Controller in Manual Mode move the flaps to the final desired flap position (35 degrees on the SeaRey). Measure the voltage on the YELLOW wire. It must be at least 0.05v greater than the full down internal limit switch shut-off position voltage recorded while verifying position sensor wiring. If necessary select a higher position for full down or modify the actuator installation.
- h. While holding the “2” switch-light depressed, press and hold the “3” switch-light until the “3” switch-light flashes once.
- i. Remove and reapply power to the Flap Controller to place the system in Normal Mode. The system will complete a self test indicated by each of the four switch-lights illuminating briefly in sequence. If the self test is successful switch-light “3” will remain “ON” indicating the current flap position (as calibrated in “h” above). Test each of the switch-lights in turn to confirm the desired automatic flap movement and calibration of the Flap Controller.

Verifying Gear Alert Wiring

- a. Refer to the Gear Alert Manual and check that the “Select Landing” interrogation occurs at flap positions, “2”, “3” and while moving between these positions.

VII. FREQUENTLY ASKED QUESTIONS

Q. Can you change selected position once unit is in motion?

A. Yes, the unit will respond to the last command given and go to the last position selected.

VIII. DOCUMENTATION

- a. The installer is responsible for making all logbook entries, revising weight and balance, and other documentation as required.
- b. System weight is 8 oz.

IX. MATERIALS

The following materials are included in the SeaRey Flap Controller kit. Check all parts before beginning the installation.

- 1 x Deluxe Flap Controller Module P/N 2074
- 1 x Installation Manual P/N IP-2074
- 1 x Butt Connector