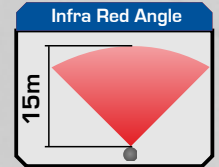


600TVL MiniDome Cameras



15m Night Time Viewing

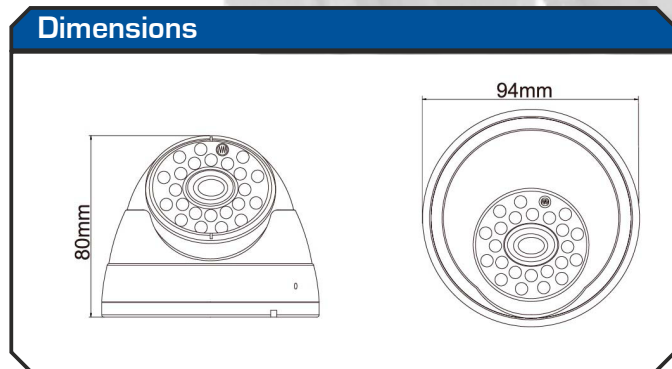


This stylish dome camera has 24 infrared LEDs which provide effective night time viewing in zero Lux environments at a range up to 15m, along with 600TVL resolution. This camera provides the ultimate combination of Day/Night viewing in an anti-vandal IP66 rated enclosure

Features

- CMOS
- 600TVL
- 3.6mm Fixed Lens
- 24 pcs IR LED built-in
- 3-Axis Gimbal
- Dual Glass (w/o infrared reflection in low-lux environment)
- IP66 Waterproof Housing
- Up to 15m IR

SPECIFICATIONS	
Imaging Device	CMOS
Total Pixels	768 (h) x 494 (v)
Horizontal Resolution	600 TV Lines
Scanning System	2 : 1 Interlace
Synchronization	Internal
Sensitivity	0.1 Lux (0 Lux when IR on)
White Balance	YES
Auto Gain Control	YES
BLC	AUTO
Video Output Signal	1 Vp-p Composite Video Output 75Ω
Lens	3.6mm
Electronic Shutter	Auto: 1/50sec to 1/10000sec
IR LED Lighting Distance	10-15m (24 pcs IR LEDs)
Power Supply	DC12v
Waterproof	IP66
Operating Temperature	-5°C ~ + 90°C
Dimensions	Diameter 94mm x 80mm high
Weight	~400g



Paxton Gold Registered

