



COMMERCIAL & RESIDENTIAL SECURITY



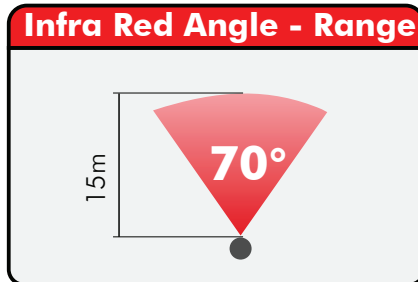
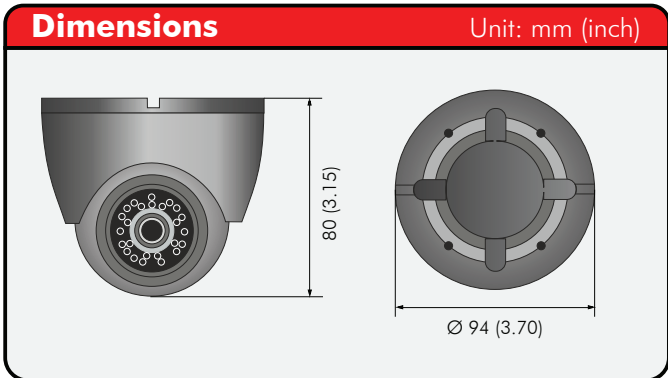
The DTV-IRI is our high resolution Day and Night IR dome camera with 3.6mm fixed lens. The camera is mounted in a robust aluminium housing with 3 axis gimbal allowing the camera to be moved in any direction and allowing the dome to be wall or ceiling mounted. The camera is fitted with 24 IR LEDs that allow the camera to be used in total darkness up to a range of 15 metres and dual glass technology that completely eliminates IR reflection in to the lens at night. The camera is IP65 rated and can be fitted externally.

**Features:**

- 520TVL Sony CCD
- 3.6mm fixed iris lens
- 15 metre IR range @ 70 degrees
- 0 Lux with IR LED
- Armoured Aluminium external housing
- IP65 Weather proof housing
- 3-Axis rotation for wall and ceiling mounting
- 80cm cable with BNC and DC jack connect
- Dual Glass Technology
- Power Input: 12v DC 270mA
- Size Ø120mm x 100mm
- Colour: Graphite Grey

**DTV-IRI**

ELECTRICAL	
Power Supply	DC12V±10%, 270mA (MAX)
VIDEO	
Type	Colour/Monochrome
Signal System	PAL
Pick Up Device	1/3" Sony Colour High Resolution CCD
Picture Elements	795H×596V
Resolution	520 TV Lines
Vertical Frequency	50Hz
Horizontal Frequency	15.625KHz
Video Output	1V p-p,75Ω
Clock Frequency	28.375 MHz
Scanning System	2:1 Interlace
S/N Ratio	50dB
Electronic Shutter	1/50-1/100,000S
LENS	
Lens	3.6mm Board Lens
INFRA RED	
Min Illumination	0Lux
IR Effective Distance	15m (49.2ft) (Outdoor)
IR Effective Angle	70°
LED	24 pieces
OPERATIONAL	
White Balance	AUTO Tracking
Back Light Compensation	ON
Auto Gain Control	ON
GAMMA	0.45
MECHANICAL	
Dimension	94×80mm (3.70"×3.15")
Weight	460g
Storage Temperature	-30c ~ +60c
Operating Temperature	-30c ~ +40c



Patxon Gold Registered