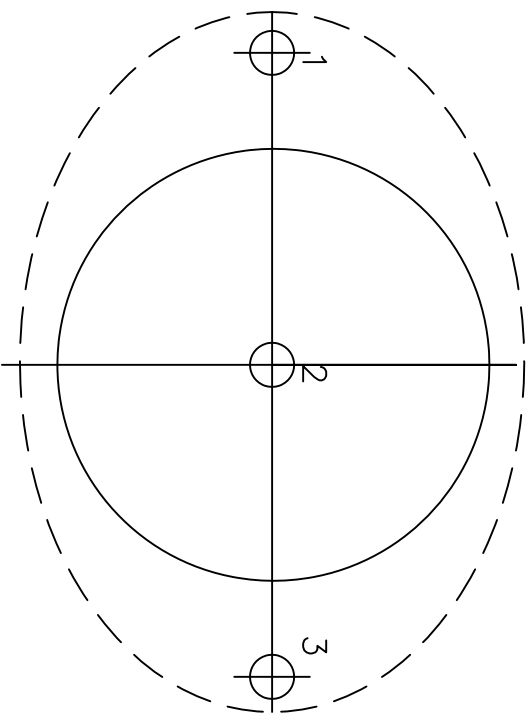


USE HOLE SAW TO DRILL 2.25" HOLE
FOR MOUNTING PURPOSES

DRILL 3 - 7/32" HOLES AS SPECIFIED
LOCATIONS ON TEMPLATE.



CUT OUT TEMPLATE ON DASHED LINES, CENTER PUNCH
ALL 3 HOLES, AND DRILL WITH 7/32" DRILL BIT.
ONCE ALL 3 HOLES HAVE BEEN DRILLED, USE A 2.25" HOLE SAW
AND CENTER IT ON THE CENTER HOLE.