

P60P72
0617 ITA



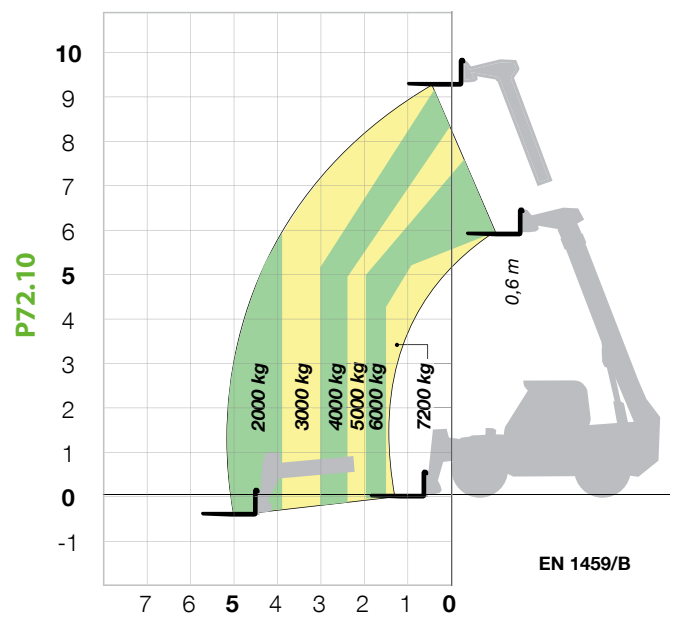
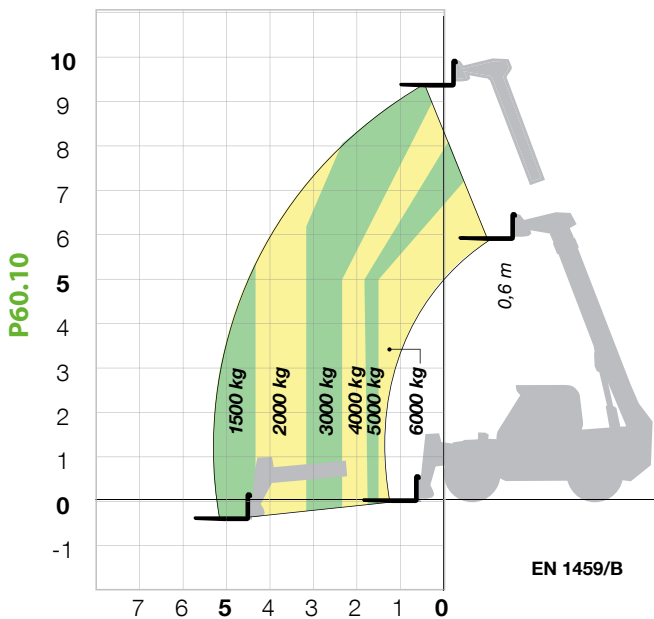
PANORAMIC P60.10 - P72.10



PERFORMANCE AND FEATURES		P60.10	P72.10	
PERFORMANCE	Total unladen weight (kg)	9800	10650	
	Maximum capacity (kg)	6000	7200	
	Lifting height (m)	9550	9500	
	Maximum reach (m)	5300	5200	
	Maximum operating height (m)	7,2	6	
	Maximum operating reach (m)	1,5	1,5	
	Capacity at maximum height (kg)	3000	4000	
	Capacity at maximum reach (kg)	1500	2000	
	Lateral boom movement (mm)	+/- 250	+/- 250	
	Tilting correction (%)	+/- 10	+/- 10	
Boom sections	2	2		
POWERTRAIN <>	Turbo motor	Deutz TCD3.6	Deutz TCD3.6	
	Displacement/cylinders	3600/4	3600/4	
	Engine Power (kW/HP)	75/101	75/101	
	Anti-pollution technology	EURO IV, SCR+DOC	EURO IV, SCR+DOC	
	Reversible fan	-	-	
	Maximum speed (km/h)	40	40	
	Fuel tank (l)	140	140	
	AdBlue tank (l)	18	18	
	Hydrostatic transmission	● - 2V	● - 2V	
	EPD	Base	Base	
	Axles	portal	portal	
	Reduction hub	RR640	RR640	
Machine brakes	dry discs	dry discs		
Automatic parking brake	●	●		
HYDRAULIC	Hydraulic pump	Load Sensing	Load Sensing	
	flow rate/pressure (l/min – bar)	110 - 210	110 - 210	
	Hydraulic tank	105	105	
	Hydraulic outlet at the top of the boom	●	●	
Rear hydraulic outlets	○	○		
CAB	Cab configuration	2004 Cab	2004 Cab	
	MCDC	full	full	
	FOPS LIV II cab	●	●	
	ROPS cab	●	●	
	Cab commands	electromechanic joystick	electromechanic joystick	
	Tilting Cab	-	-	
Reverse shuttle	finger touch	finger touch		
CONFIGURATION	Cab suspension	-	-	
	Boom suspension	-	-	
	Suspension on axles	-	-	
	Work headlights on cab	○	○	
	Sun blind	○	○	
	Tac-lock	●	●	
	Provision for a platform	○	○	
	Two floating forks	●	●	
	Inching-Control	●	●	
	four-wheel drive	●	●	
	Four-wheel steering	●	●	
	Three steering modes	●	●	
	Standard tyres	405/70-20	405/70-20	
	Optional tyres	445/65-R22.5	445/65-R22.5	
	Stabilisers	-	-	
	Turret rotation	-	-	
	Type approval as an agricultural tractor	-	-	
Approval with PNEUMATIC braking (ton)	-	-		
Approval with HYDRAULIC braking (ton)	-	-		
PTO	-	-		
3-point linkage	-	-		
DIM.	Width	2330	2330	
	Height	2440	2440	
	Length	5345	5345	
	Wheelbase	2875	2875	

- Not Available. ● standard. ○ optional.

LOAD CHARTS



NOTE - NOT ALL DEFINITIONS BELOW ARE VALID ON MODELS IN QUESTIONS. DEFINITION ARE JUST AN OVERVIEW FOR YOUR BENEFIT

DEFINITIONS

SCR	➤ Selective Catalyst Reduction, solution used for the reduction of NOx in the exhaust gases through the injection of a liquid - UREA (AdBlue) - into the exhaust gases.
DPF	➤ Diesel Particulate Filter, a solution used to reduce fine particle emissions in exhaust gases
DOC	➤ Diesel Oxidation Catalyst, a solution used to reduce carbon monoxide (CO) and hydrocarbons in exhaust gases
EGR	➤ Exhaust Gas Recirculation, a solution used to reduce NOx in exhaust gases by recirculating gas inside the combustion chamber of the engine.
1-2V	➤ 1 or 2 speed Merlo gearbox
CVTronic	➤ Continuous variation Merlo gearbox, for constant acceleration without loss of torque
EPD	➤ Eco Power Drive, Merlo electronically-controlled hydrostatic transmission Electronic, enables effective RPM management in order to reduce overall fuel consumption by the machine
EPD Plus	➤ in addition to the EPD Control, it is also possible to work using Speed Control (maintaining a constant travel speed) and Heavy Load (management of RPM in order to maximise performance for tasks such as: bucketing operations, heavy duty unloading, etc.)
EPD Top	➤ In addition to the EPD Plus control function, this enables the RPM to be managed directly using the joystick.
Gear	➤ fixed displacement pump with gears, combined with an open centre hydraulic distributor.
LS	➤ variable displacement pump with Load Sensing control, combined with a closed centre hydraulic distributor
LS + FS	➤ variable displacement pump with Load Sensing control, combined with a closed centre hydraulic distributor equipped with solenoid valves and Flow Sharing control.
ECO/PREMIUM cab	➤ MODULAR type cabin with simplified or PREMIUM equipment
MCDC	➤ Merlo Dynamic Load Control, electronic control of the machine's anti-rollover system.
• Light	➤ simplified version;
• Complete	➤ version with display in cab.
FOPS	➤ Falling object protective structure, the protection system which shields the operator from heavy objects falling onto the cab. Two levels:
• FOPS Liv I	➤ object with a weight of 45kg falling from 3 metres.
• FOPS Liv II	➤ object with a weight of 227kg falling from 5.2 metres.
ROPS	➤ Roll-over protection system (or roll-over protection structure), the system that protects the operator if the vehicle rolls over
Finger-Touch	➤ driving direction inversion system mounted on the steering column
Dual Reverse	➤ dual driving direction inversion system, on both the steering column and the joystick
Tac-lock	➤ hydraulic attachment clamping system controlled from the cab



MERLO S.P.A.

Via Nazionale, 9 - 12010 S. Defendente di Cervasca - Cuneo - Italia

Tel. +39 0171 614111 - Fax +39 0171 684101

www.merlo.com - info@merlo.com

