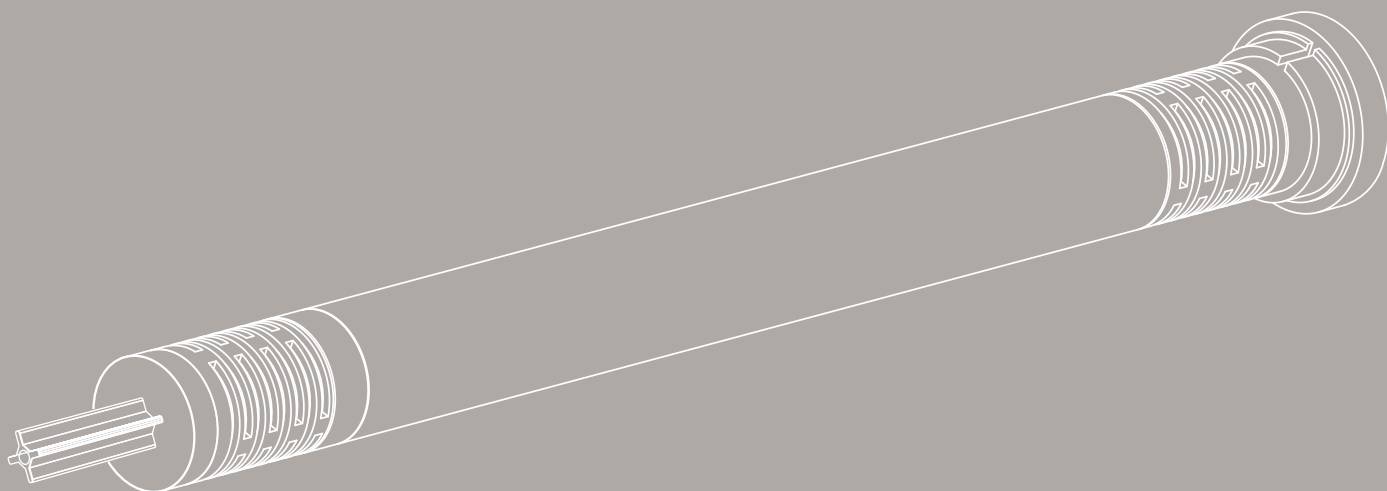


DATABOOK

Sonesse™ 30 Range



HOME
MOTION BY

somfy®

Table of Contents

<u>INTRODUCTION</u>	1
<u>MOTOR SPECIFICATIONS</u>	
Sonesse™ 30 DCT	2
Sonesse™ 30 RTS	2
Sonesse™ 30 RS485	3
<u>CONTROL ACCESSORIES</u>	
Dry Contact	4
Radio Technology Somfy RTS	4,5
RS485	5
<u>POWER AND WIRING ACCESSORIES</u>	
Transformers	6
Power/Control Distribution Panels	7
Power/Control Distribution Enclosure Options	8, 9
Sonesse™ 30 DCT Dry Contact & Plug-In Style Power	10
Sonesse™ 30 DCT Dry Contact & Power Distribution	11
Sonesse™ 30 RTS Control & Plug-in Style Power	12
Sonesse™ 30 RTS Control & Power Distribution	13
Sonesse™ 30 RS485 Control & Power Distribution	14, 15
<u>MECHANICAL ACCESSORIES, LIGHT GAP SPECIFICATIONS & BRACKET PROJECTIONS</u>	
Acmeda System	16, 17
Somfy Decorator Type	18, 19
RollEase® & Skyline.	20, 21
Louvolite	22
Somfy CTS 40	23
Rollease® Fascia	24
ZMC®	25

* RollEase® is a registered trademark of RollEase Inc. – Stamford, CT.
Crestron® is a registered trademark of Crestron Electronics, Inc.
ZMC® is a registered trademark of ZMC Window Coverings
Universal Remote Control, Inc.® is a trademark of Universal Remote Control, Inc.

Conveniently Quiet

This document is a presentation of the accessories and specifications related to the Somfy Sonesse™ 30 range. It provides the technical information needed to order, fabricate, and sell the award-winning quiet motors. For additional information regarding any of the products in this document including motors, power sources, controls, interfaces etc., please reference www.somfysystems.com, where detailed instructions are available for download.

The award winning Sonesse™ 30 range is putting window coverings in motion with ultra-quiet precision. The motors are engineered with superior noise reduction technology and are barely heard from a distance of 3 feet.

The compact, low-profile Sonesse™ 30 motor is designed for tubes as small as 1.5" in diameter and is easily concealed within headrails, cassette systems or smaller pocket sizes. The motors feature speed regulation for precise alignment of adjacent shades and are low-voltage which simplifies installation. The Sonesse™ 30 motors are available with a variety of control options and easily integrate with home automation systems. They also feature the ability to adjust to precise intermediate positions for increased control flexibility.



Offers control via contact closure switching (dry contact).



Radio Technology Somfy® (RTS) allows wireless radio control of motorized window coverings via the RTS family of controls.



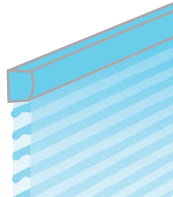
Communication via the industry standard RS485 which is compatible with the Somfy Digital Network (SDN) and also easily integrates with third party control systems.

Sonesse™ 30 motors are designed to automate a broad range of window covering applications which include:

Solar/Roller Shades



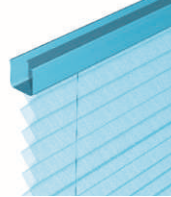
Sheer Horizontal Shades



Roman/Woven Shades



Pleated/Cellular Shades



Horizontal Blinds



As with all Somfy products, the Sonesse™ 30 motors are backed by a 5 year warranty.



WCMA Award Winner, for Most Innovative Overall design.

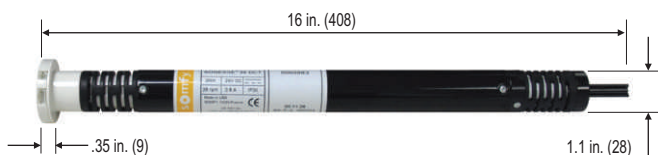
Sonesse™ 30 Motor Specifications



SONESSE™ 30 DCT MOTOR

Offers control via contact closure switching (dry contact).

Dimensions in. (mm)



SONESSE™ 30 DCT - #1000668

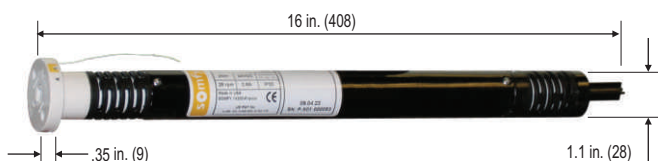
VOLTAGE*	24VDC
NOMINAL LOAD STARTING CURRENT *	1.8A for max. 300 ms
NOMINAL LOAD CURRENT *	.8A
MAX CURRENT DURING PROGRAMMING *	3.2A for 300ms.
TORQUE	17.7 in. lbs.(2Nm)
SPEED	6-28 rpm (programmable)
LIMIT SWITCH UNIT CAPACITY	35 turns in each dir. at max. speed
THERMAL PROTECTION	2.5 minutes (software managed)
MIN TUBE INSIDE DIAMETER	1.22 in. (31mm)
MIN WINDOW WIDTH BRACKET TO BRACKET FOR ROLLER SHADES (INCHES) **	A 18 5/8 B 19 5/8 C 18 1/2
SOUND LEVEL	44 dBA



SONESSE™ 30 RTS MOTOR

Radio Technology Somfy® (RTS) allows wireless radio control of motorized window coverings via the RTS family of controls.

Dimensions in. (mm)



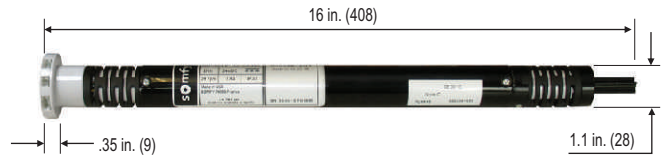
SONESSE™ 30 RTS - #1001524

VOLTAGE*	24VDC (-4, +8)
NOMINAL LOAD STARTING CURRENT *	1.8A for max. 300ms.
NOMINAL LOAD CURRENT *	.8A
MAX CURRENT DURING PROGRAMMING *	3.2A for max. 300ms.
TORQUE	17.7 in. lbs. (2Nm)
SPEED	6-28 rpm (programmable)
LIMIT SWITCH UNIT CAPACITY	35 turns in each dir. at max. speed
THERMAL PROTECTION	2.5 minutes (software managed)
MIN TUBE INSIDE DIAMETER	1.22 in. (31mm)
MIN WINDOW WIDTH BRACKET TO BRACKET FOR ROLLER SHADES (INCHES) **	A 18 5/8 B 19 5/8 C 18 1/2
SOUND LEVEL	44 dBA
RF CONTROL RANGE (MAY VARY) CONTROL RANGE (MAY VARY)	65 ft.

SONESSE™ 30 RS485

Communication via the industry standard RS485 which is compatible with the Somfy Digital Network (SDN) and also easily integrates with third party control systems.

Dimensions in. (mm)



SONESSE™ 30 RS485 - #1000685

VOLTAGE*	24VDC
NOMINAL LOAD STARTING CURRENT *	1.8A for max. 300 ms
NOMINAL LOAD CURRENT *	.8A
MAX CURRENT DURING PROGRAMMING *	3.2A for 300ms.
TORQUE	17.7 in. lbs.(2Nm)
SPEED	6-28 rpm (programmable)
LIMIT SWITCH UNIT CAPACITY	35 turns in each dir. at max. speed
THERMAL PROTECTION	2.5 minutes (software managed)
MIN TUBE INSIDE DIAMETER	1.22 in. (31mm)
MIN WINDOW WIDTH BRACKET TO BRACKET FOR ROLLER SHADES (INCHES) **	A 18 5/8 B 19 5/8 C 18 1/2
SOUND LEVEL	44 dBA

* Regulated power supply required

** A - Acmeda 44mm tube and hardware

B - Rollease 1.5" tube w/Skyline Hardware

C - Rollease 1.5" tube w/R8 Hardware

NOTE: Power/Control motor cables are included with motor.

Sonesse™ 30 Control Accessories



DRY CONTACT

DRY CONTACT SWITCH



Sonesse 30 DCT Wall Switch
1800219



* Limit Setting Tool
1800219

* Required for setting limits for Sonesse 30 DCT and Sonesse 30 RS485 motors.



RADIO TECHNOLOGY SOMFY® RTS

TELIS COLLECTION



Telis 1 RTS Lounge
Single Channel Remote
1810650



Telis 4 RTS Lounge
Five Channel Remote
1810652



Telis 1 RTS Silver
Single Channel Remote
1810639



Telis 4 RTS Silver
Five Channel Remote
1810641



Telis 1 RTS Pure
Single Channel Remote
1810632



Telis 4 RTS Pure
Five Channel Remote
1810633



Telis 1 Modulis RTS Lounge
with Scroll Wheel
1810976



Telis 4 Modulis RTS Lounge
with Scroll Wheel
1810664



Telis 1 Modulis RTS Silver
with Scroll Wheel
1810975



Telis 4 Modulis RTS Silver
with Scroll Wheel
1810663



Telis 1 Modulis RTS Pure
with Scroll Wheel
1810974



Telis 4 Modulis RTS Pure
with Scroll Wheel
1810765



Telis 1 RTS Patio
Single Channel Remote
1810643



Telis 4 RTS Patio
Five Channel Remote
1810645



Telis 16 Channel RTS Pure
Remotes w/ On-screen
display 1811020



Telis 16 Channel RTS Silver
Remotes w/ On-screen
display 1811021



Telis Composio RTS Silver
20 Channel Remote
1810698



Telis Composio RTS Lounge
20 Channel Remote
1810699



RADIO TECHNOLOGY SOMFY® RTS

DECOFLEX WALL SWITCH



DecoFlex 1 RTS Wireless Wall Switch

DecoFlex 2 RTS Wireless Wall Switch Custom Option

DecoFlex 3 RTS Wireless Wall Switch Custom Option

DecoFlex 4 RTS Wireless Wall Switch Custom Option

DecoFlex 5 RTS Wireless Wall Switch



DecoFlex Tabletop RTS Accessory Black 1811051

DecoFlex Tabletop RTS Accessory Silver 1810972

Wall Switches also available in black and ivory finishes.



RTS REPEATER



RTS Repeater 1810791

DRY CONTACT



RTS Dry Contact Interface Single Channel 1810493

16 CHANNEL INTERFACE



Universal RTS Interface 16-Channel (converts IR, RS232, RS485 to RTS) 1810872

CHRONIS



Chronis Comfort Single Channel Timer 1805176



Telis Impresario RTS Silver Multi-Channel Timer 1810701



Telis Impresario RTS Lounge Multi-Channel Timer 1810700

SUNIS INDOOR



Sunis Indoor WireFree™ RTS 9013707



Thermo Sunis Indoor WireFree™ RTS 9013708

DIGITAL TECHNOLOGY SOMFY RS485

RS485

IP INTERFACE



Internet Protocol (IP) Interface with Conversion Kit 1810870

RS485/ILT Z-WAVE INTERFACE



RS485/ILT Z-Wave Interface 1870171

SMART SWITCHES



ILT Programmable Network Switch-3 button 1810827



ILT Programmable Network Switch-6 button 1810828

NOTE: For additional information regarding ZigBee or Z-Wave controls, contact Somfy.

TRANSFORMERS

PLUG-IN



Plug-In Wall Type

# of Motors	Dimensions	Nominal Load	Part #
1 Motor	3.5" x 2.3" x 1.3"	24 VDC 1.25A	1822209

With 15 ft. cable - 18 AWG

Plug-In Floor Type

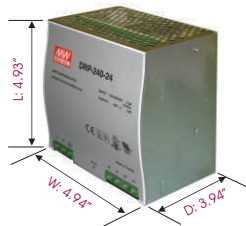
# of Motors	Dimensions	Nominal Load	Part #
1 Motor	4" x 2.5" x 1.3"	24 VDC 2.5A	1822116

With 6 ft. AC cable
With 6 ft. cable - 18 AWG

Plug-In Table/Shelf Type

# of Motors	Dimensions	Nominal Load	Part #
3 Motors	2" x 7.1" x 8.5"	24 VDC 5A	1822118
6 Motors	2.7" x 7.1" x 8.5"	24 VDC 10A	1822119
9 Motors	2.7" x 7.1" x 8.5"	24 VDC 15A	1822122
12 Motors	2.7" x 7.1" x 8.5"	24 VDC 20A	1822123

WIRED



Din Rail Mount

# of Motors	Dimensions	Nominal Load	Part #
3 Motors	4.93" x 2.58" x 3.94"	24 VDC 5A	9011994

Din Rail Mount

# of Motors	Dimensions	Nominal Load	Part #
6 Motors	4.93" x 4.94" x 3.94"	24 VDC 10A	9011995

Din Rail Mount

# of Motors	Dimensions	Nominal Load	Part #
12 Motors	4.93" x 8.94" x 3.94"	24 VDC 20A	9014245

Sonesse™ 30 Power Accessories

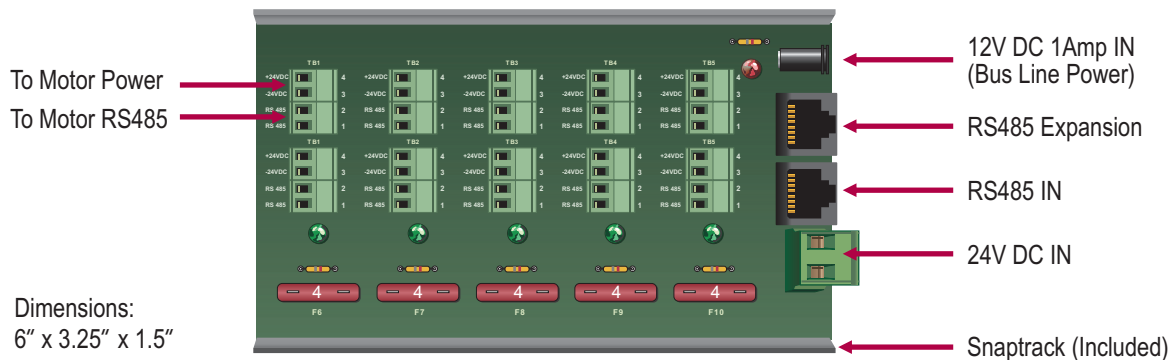
5 Motor Power/Control Distribution Panel

4 Conductor, Cat. #1870193



10 Motor Power/Control Distribution Panel

4 Conductor, Cat. #1870194



Optional Mounting Accessory



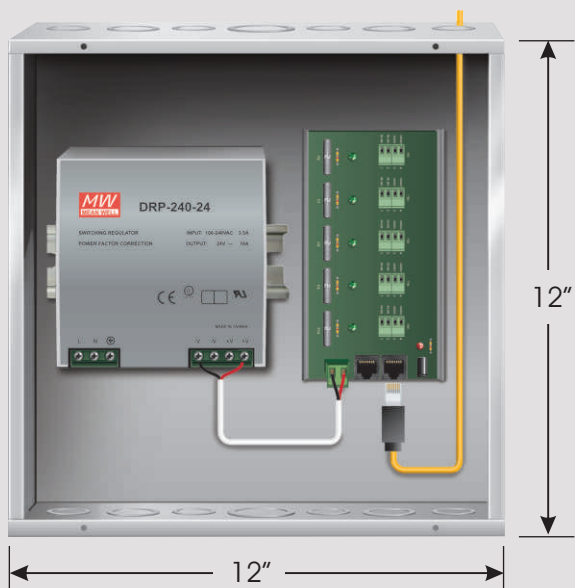
POWER/CONTROL DISTRIBUTION PANELS

Sonesse™ 30 Power/Control Motor Cables (optional)

Sonesse™ 30 Dry Contact Closure (DCT) Cable (7.5' length)	# 9014793
Sonesse™ 30 RS485 Control Cable (7.5' length)	# 9015842
Sonesse™ 30 24V DC 2 Conductor Power Cable (7.5' length)	# 9014794

Power/Control Distribution Enclosure Options

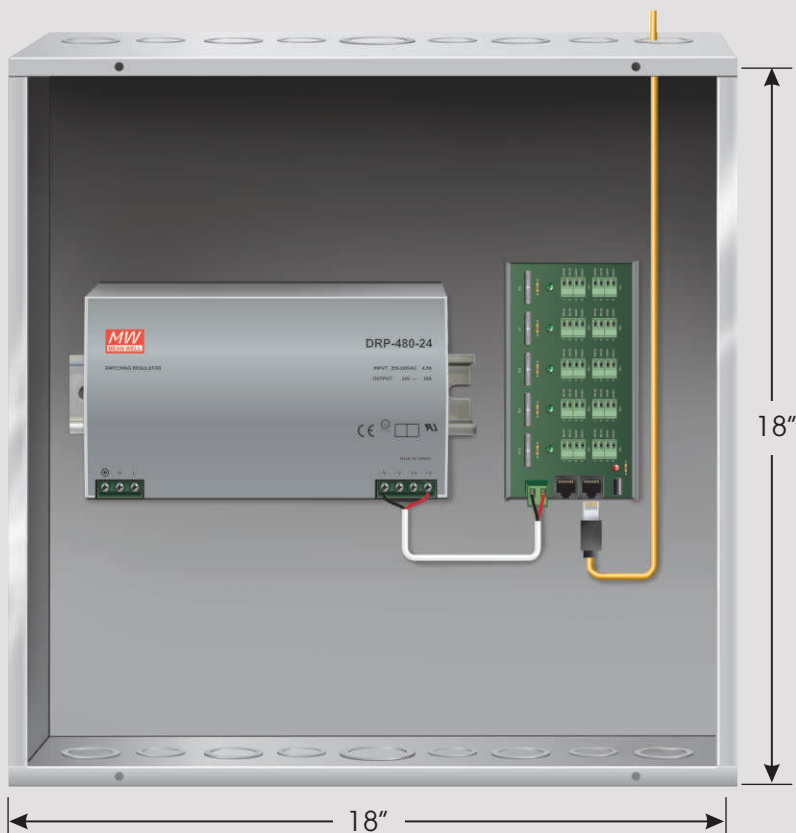
5 MOTOR - #1870196



Kit Includes:

- 1 - 5 Motor Power/Control Distribution Panel - #1870193
- 1 - 24V DC 10 Amp Power Supply - #9011995
- 1 - 12" x 12" Enclosure

10 MOTOR - #1870192

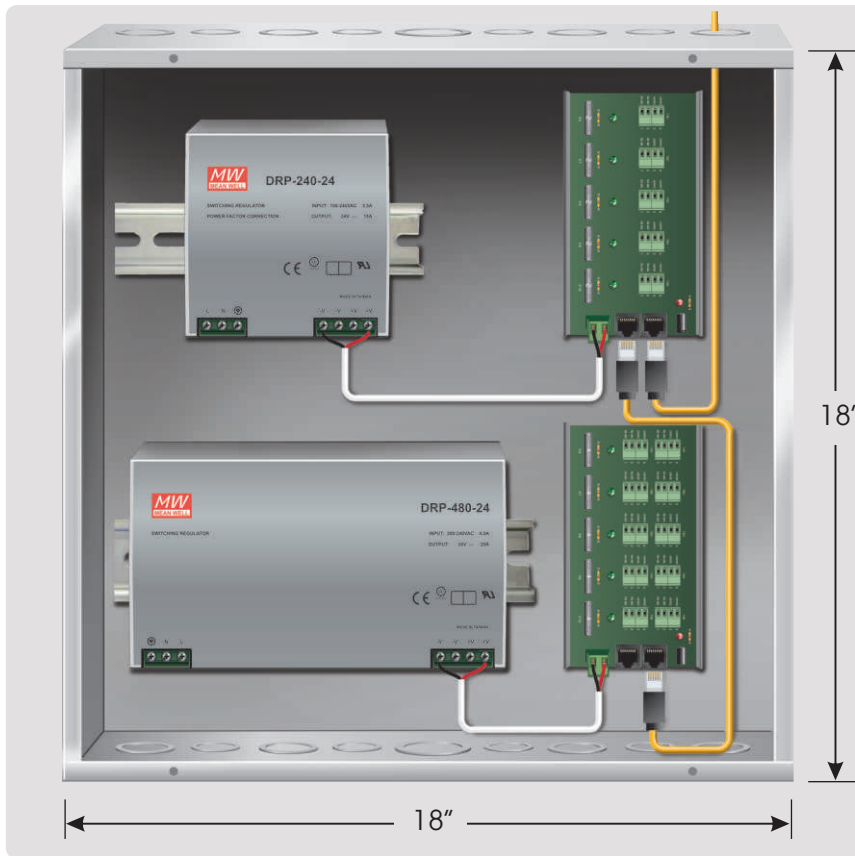


Kit Includes:

- 1 - 10 Motor Power/Control Distribution Panel - #1870194
- 1 - 24V DC 20 Amp Power Supply - #9014245
- 1 - 18" x 18" Enclosure

NOTE: For detailed connections please reference pp. 14-15

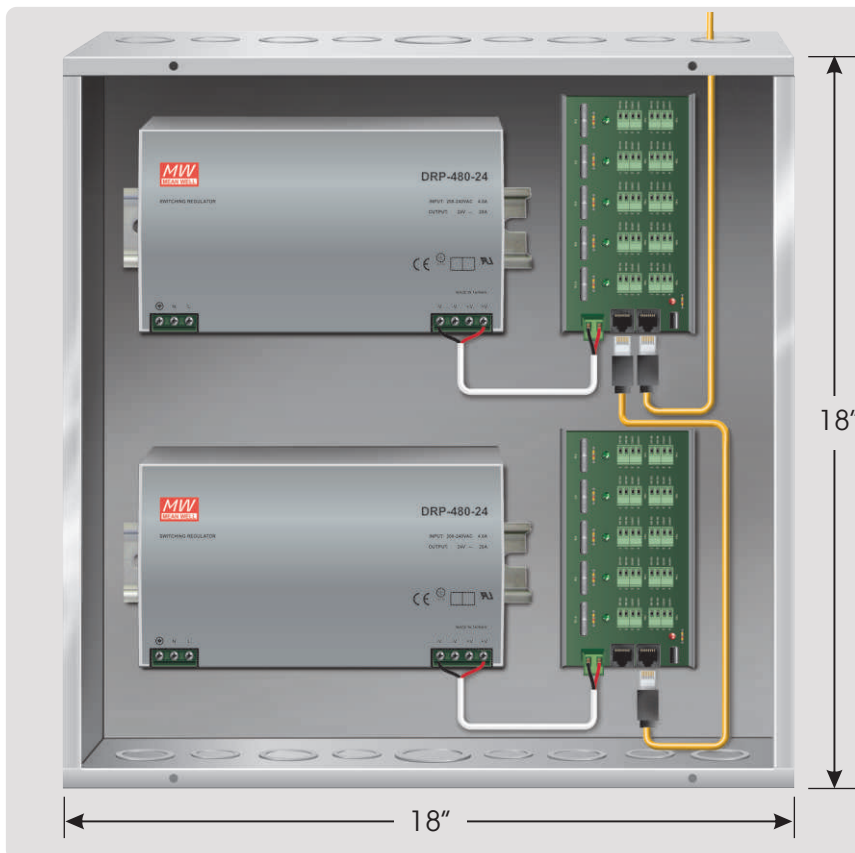
15 MOTOR - #1870197



Kit Includes:

- 1 - 5 Motor Power/Control Distribution Panel - #1870193
- 1 - 10 Motor Power/Control Distribution Panel - #1870194
- 1 - 24V DC 10 Amp Power Supply - #9011995
- 1 - 24V DC 20 Amp Power Supply - #9014245
- 1 - 18" x 18" Enclosure

20 MOTOR - #1870198

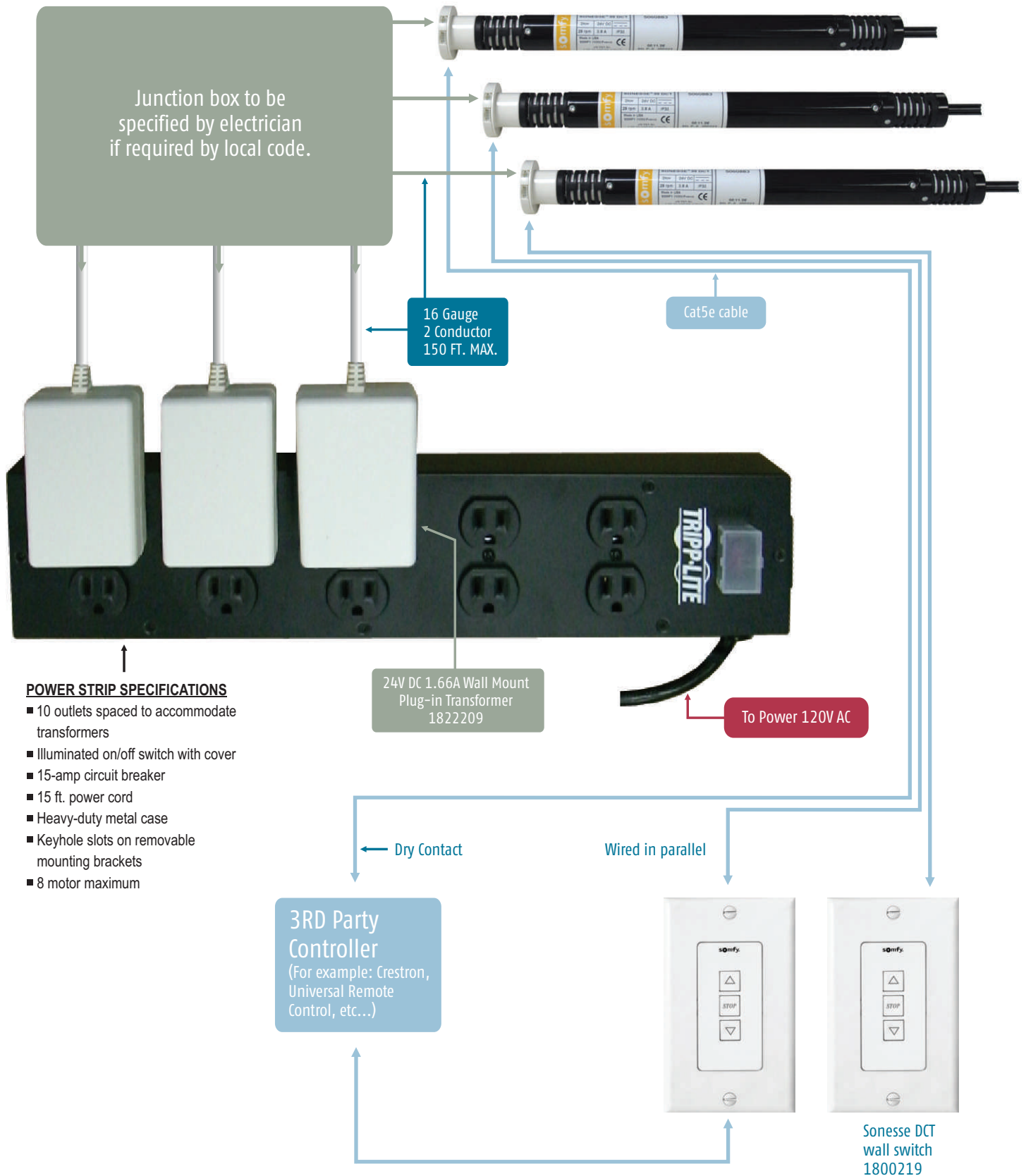


Kit Includes:

- 2 - 10 Motor Power/Control Distribution Panel - #1870194
- 2 - 24V DC 20 Amp Power Supply - #9014245
- 1 - 18" x 18" Enclosure

NOTE: For detailed connections please reference pp. 14-15

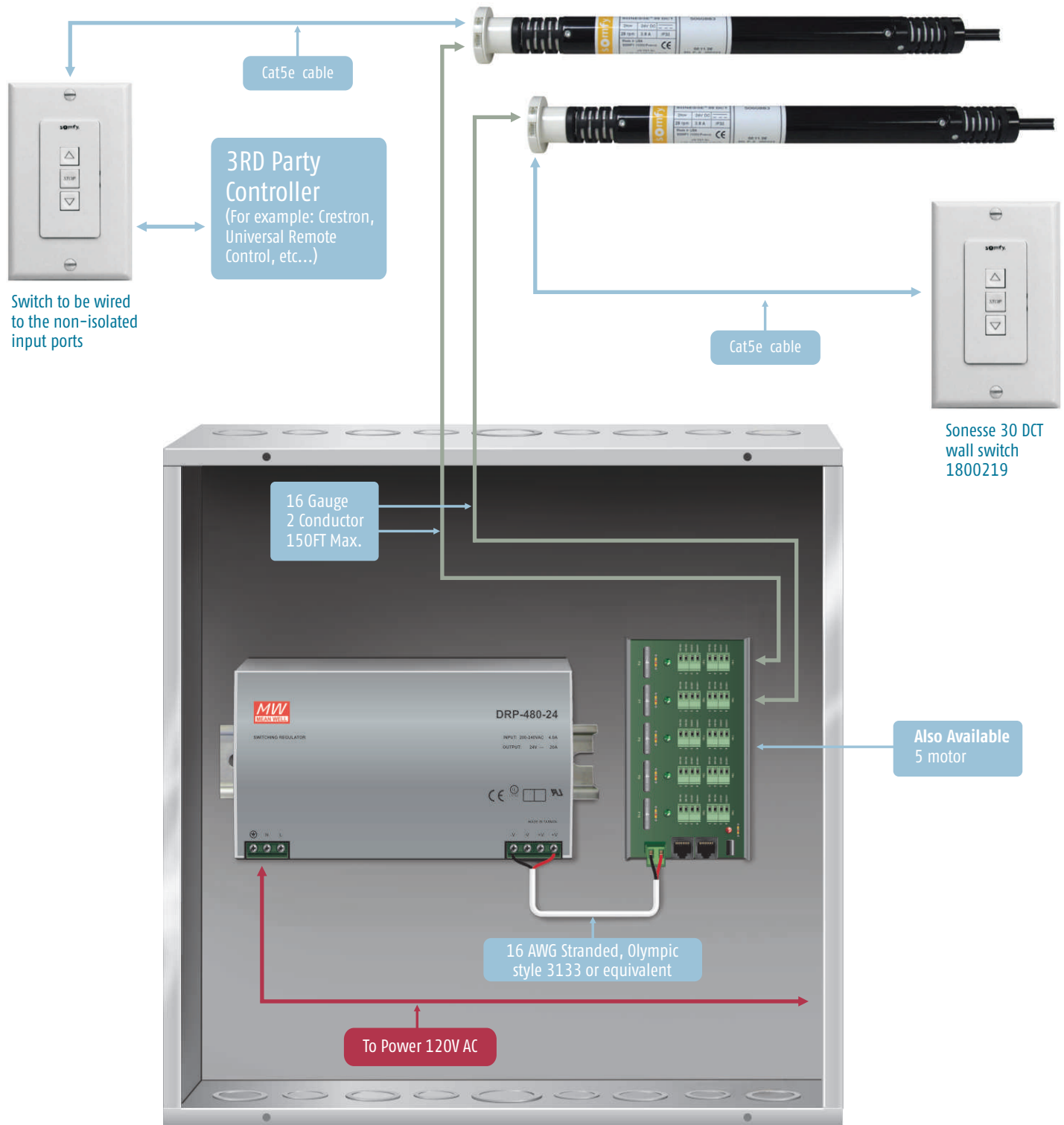
APPLICATION EXAMPLE



Sonesse™ 30 DCT Dry Contact & Power Distribution



APPLICATION EXAMPLE

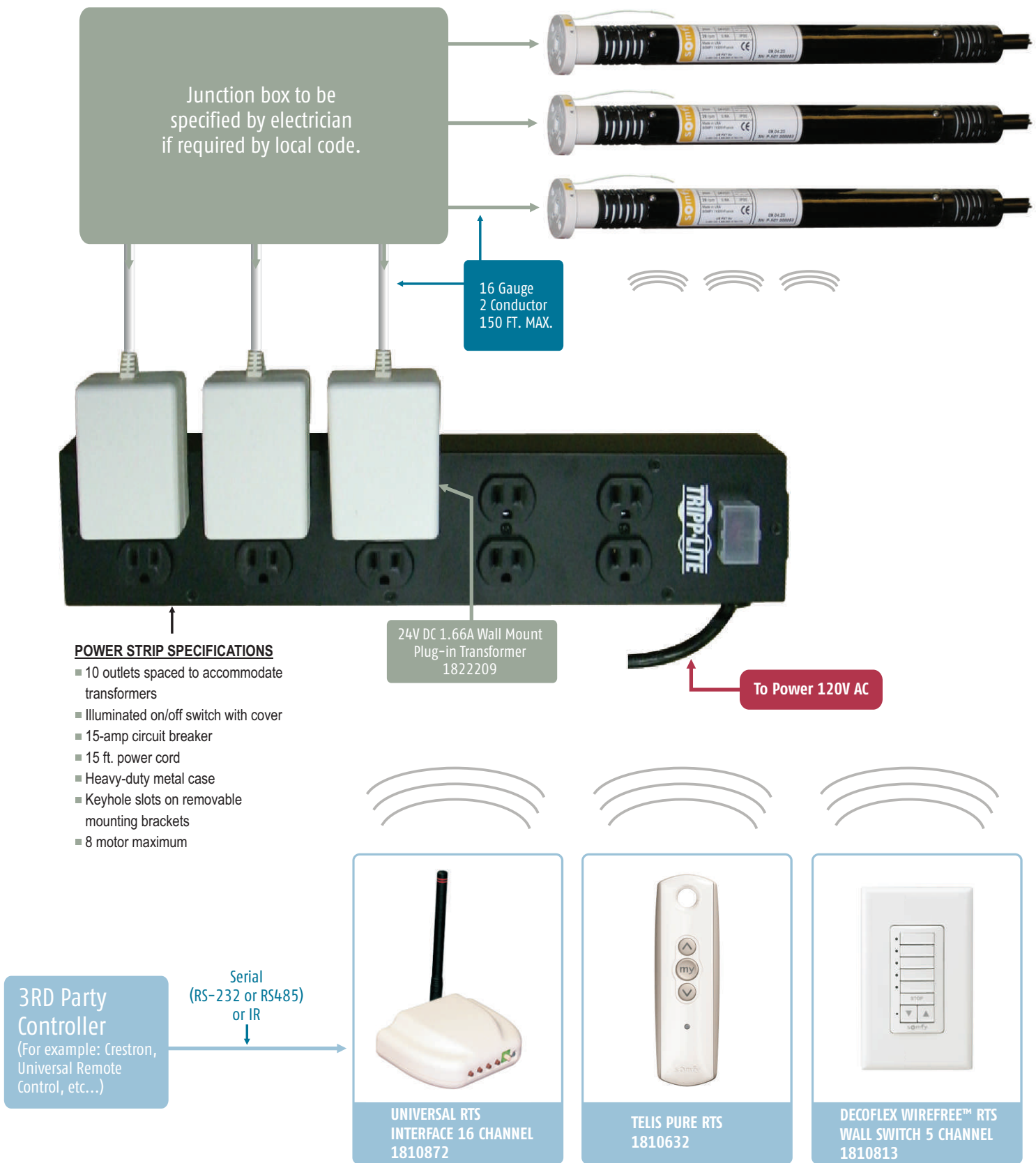


Up to 10 Motors

Sonessé™ 30 RTS Control & Plug-in Style Power



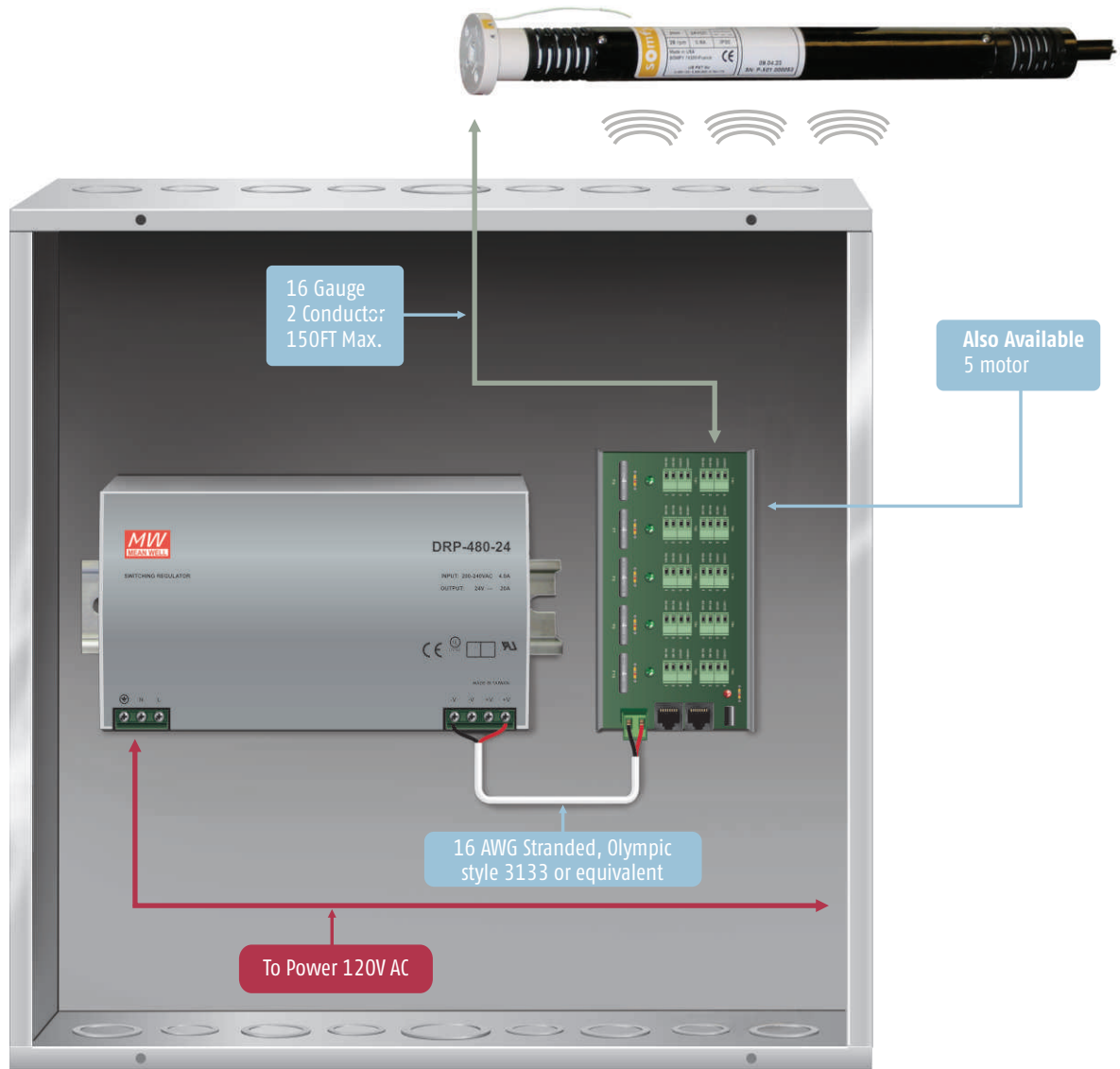
APPLICATION EXAMPLE



Sonessé™ 30 RTS Control & Power Distribution



APPLICATION EXAMPLE



3RD Party Controller
(For example: Crestron, Universal Remote Control, etc...)

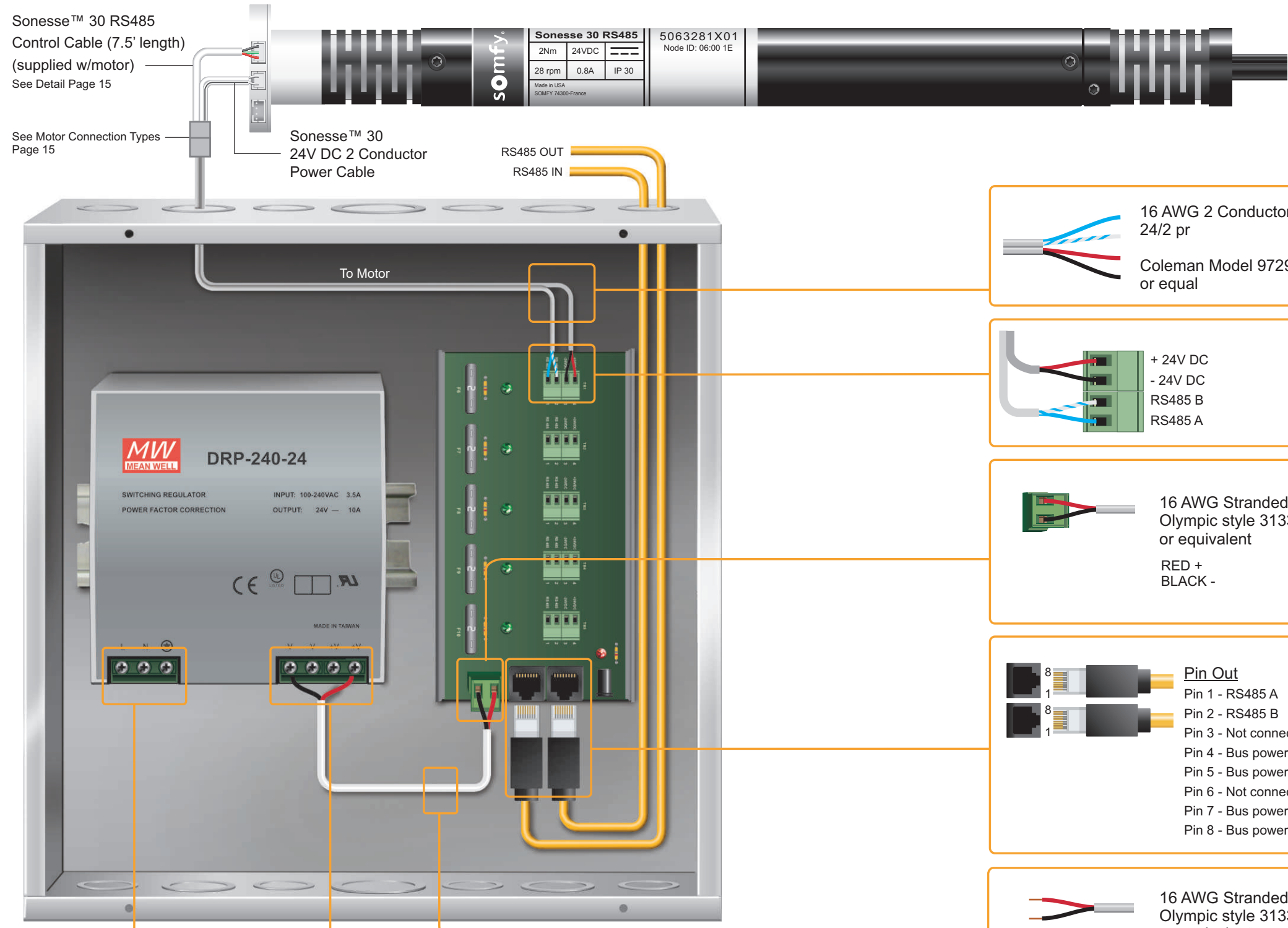
Serial (RS-232 or RS485) or IR

UNIVERSAL RTS INTERFACE
16 CHANNEL
1810872

TELIS PURE RTS
1810632

DECOFLEX WIREFREE™ RTS
WALL SWITCH 5 CHANNEL
1810813

For additional RTS controls see pages 4 and 5



Sonesse™ 30 RS485
Control Cable (7.5' length)
(supplied w/motor)
See Detail Page 15

See Motor Connection Types
Page 15

Sonesse™ 30
24V DC 2 Conductor
Power Cable

RS485 OUT
RS485 IN

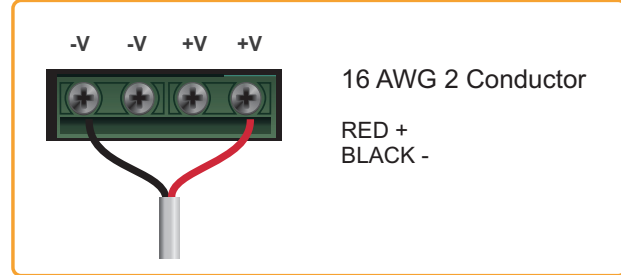
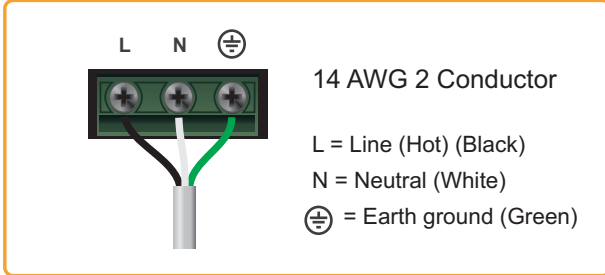
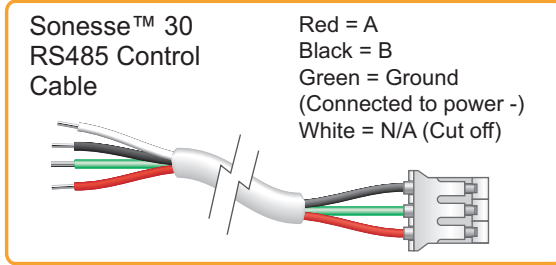
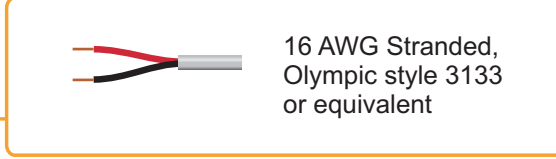
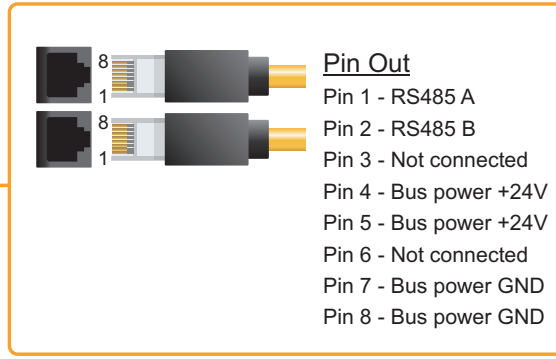
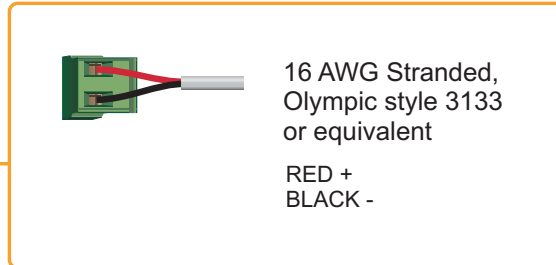
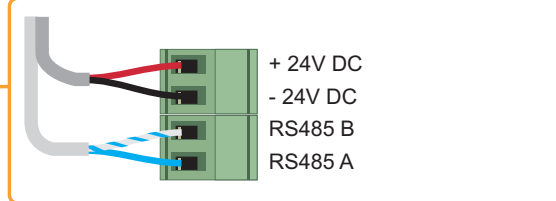
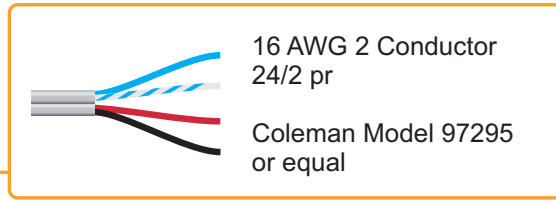
To Motor

MW
MEAN WELL
DRP-240-24

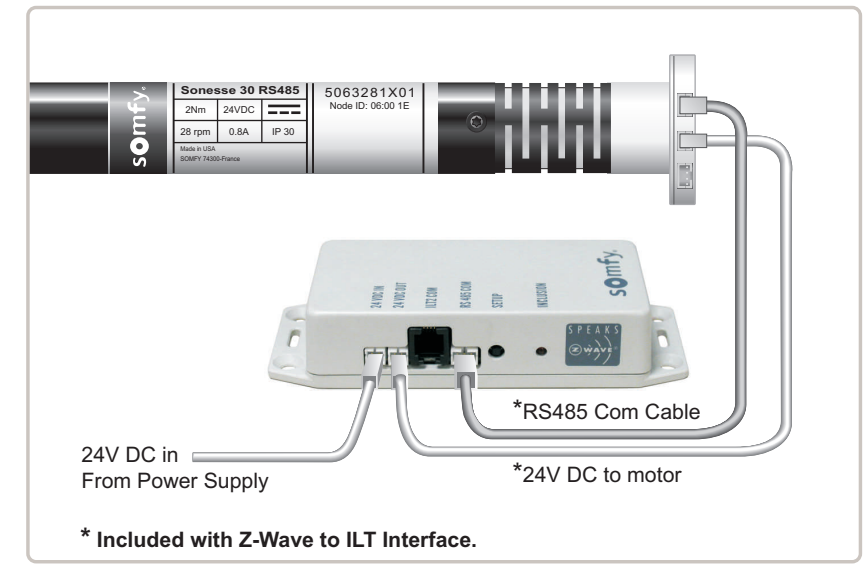
SWITCHING REGULATOR INPUT: 100-240VAC 3.5A
POWER FACTOR CORRECTION OUTPUT: 24V — 10A

CE UL

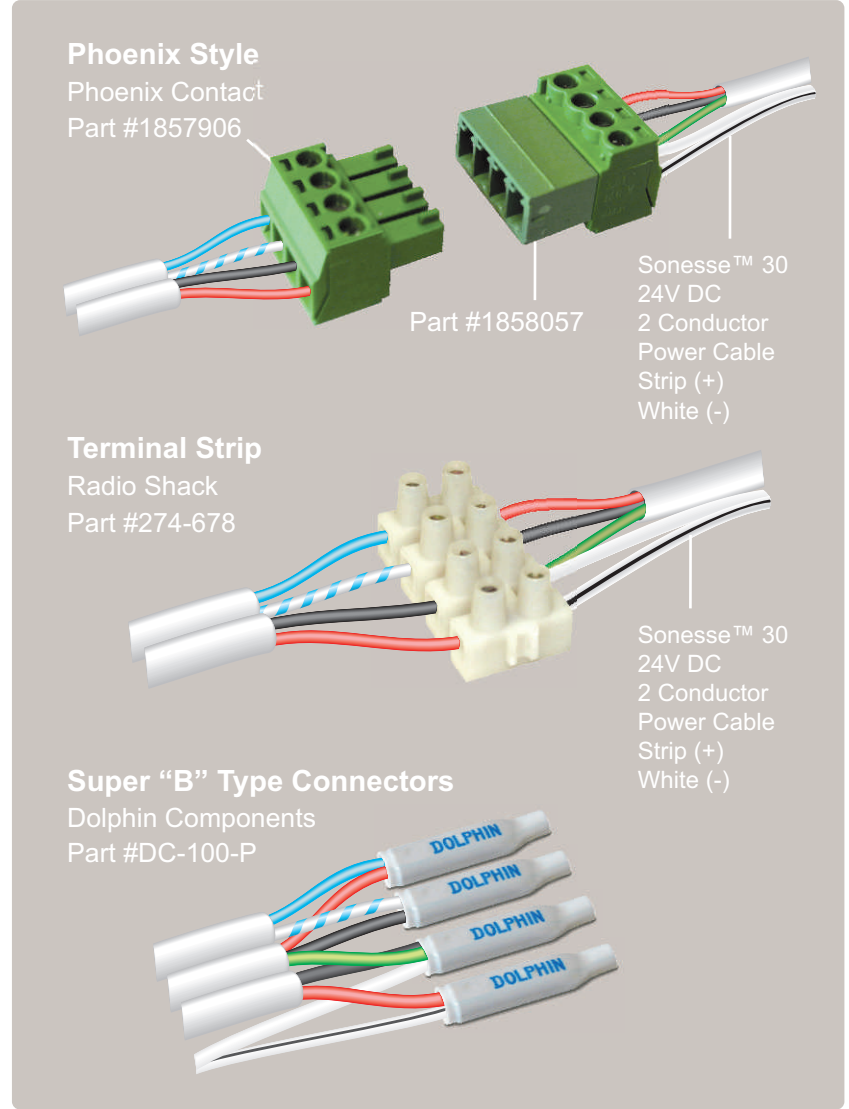
MADE IN TAIWAN



Z-WAVE CONNECTION



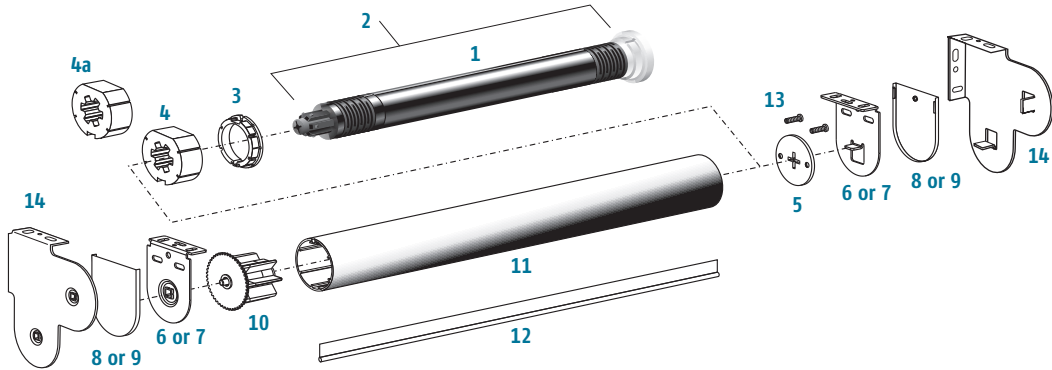
MOTOR CONNECTION TYPES



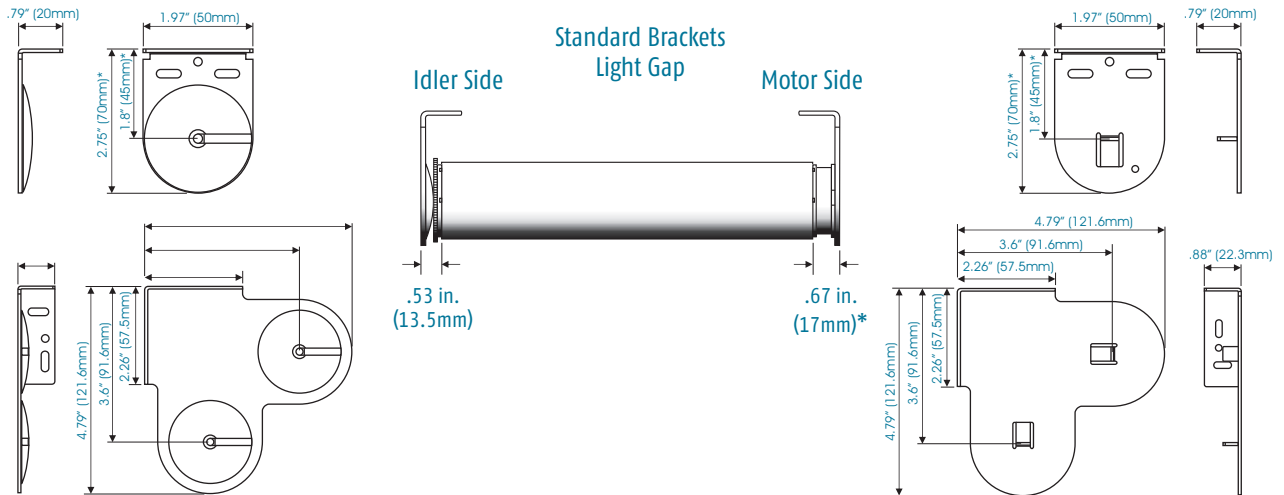
Sonesse™ 30 Mechanical Accessories

ACMEDA SYSTEM

Standard Bracket Components



Dimensions and Light Gap Specifications



IMAGE

DESCRIPTION

CATALOG NUMBER

IMAGE	DESCRIPTION	CATALOG NUMBER
1	SONESSE™ 30 MOTOR	SEE PAGES 2 & 3
2	SONESSE™ 30 TO LS40 ADAPTER KIT	9013776
3	CROWN ADAPTER 44MM TUBE (ACMEDA TYPE)	9013791
4	DRIVE WHEEL 44MM (ACMEDA TYPE)	9013790
4a	SILENT DRIVE WHEEL 44MM (ACMEDA TYPE)	9015259
5	MOTOR BRACKET ADAPTER PLATE (ACMEDA TYPE)	9013789
6	MOTOR & IDLER BRACKET KIT 4OP (ACMEDA TYPE)	9013778
7	MOTOR & IDLER BRACKET KIT 44P (ACMEDA TYPE)	9013779
8	PLASTIC BRACKET COVER 4OP KIT (ACMEDA TYPE)	9013780
9	PLASTIC BRACKET COVER 44P KIT (ACMEDA TYPE)	9013781
10	IDLER END PLUG 44MM TUBE (ACMEDA TYPE)	9013774
11	44M ALUMINUM TUBE (16 FT. MAX LENGTH)	1780688
12	TUBE SPLINE 44MM TUBE (ACMEDA TYPE)	1780687
13	M3.5 x 9MM SCREWS	9014066
14	MOTOR BRACKET COMBO SET 122mmX122mm	9013782

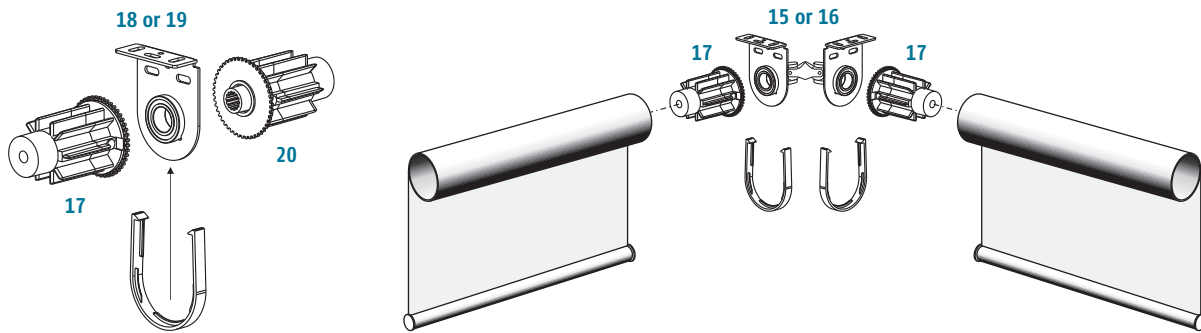
Solar/Roller Shades



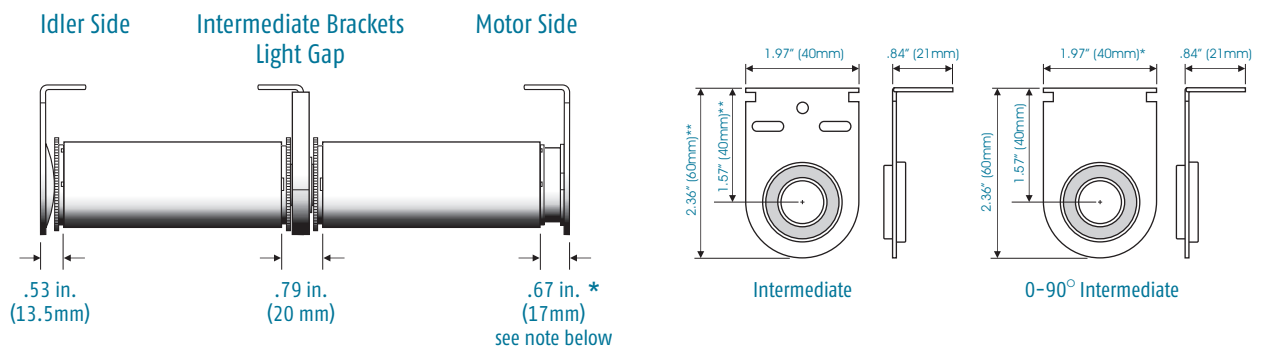
Roman/Woven Shades



Intermediate Bracket Components



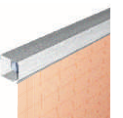
Dimensions and Light Gap Specifications



* With motor bracket adapter plate #9013789

IMAGE	DESCRIPTION	CATALOG NUMBER
15	INTERMEDIATE BRACKET & COVER KIT 40P, 0-90 DEGREES (ACMEDA TYPE)	9013787
16	INTERMEDIATE BRACKET & COVER KIT 44P, 0-90 DEGREES (ACMEDA TYPE)	9013788
17	INTERMEDIATE MALE IDLER END PLUG (ACMEDA TYPE)	9013786
18	INTERMEDIATE BRACKET & COVER KIT 40P (ACMEDA TYPE)	9013783
19	INTERMEDIATE BRACKET & COVER KIT 44P (ACMEDA TYPE)	9013784
20	INTERMEDIATE FEMALE IDLER END PLUG (ACMEDA TYPE)	9013785

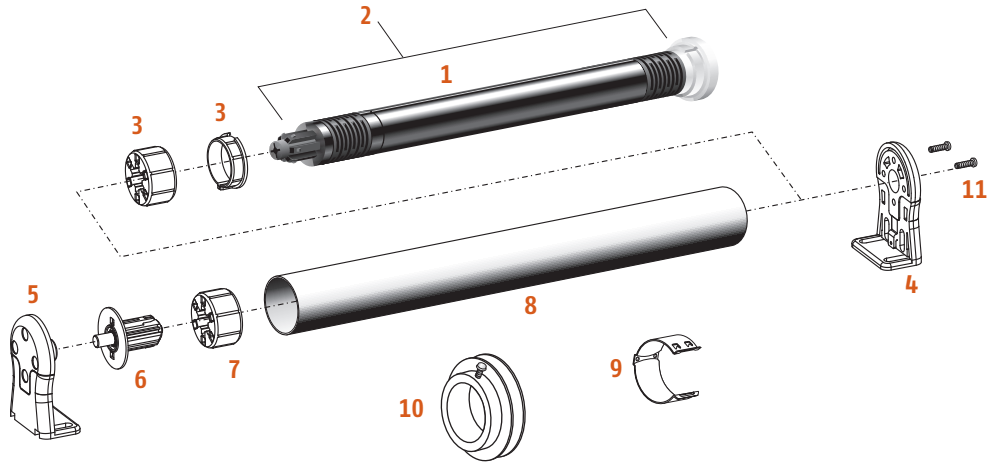
Solar/Roller Shades



Roman/Woven Shades



Standard Bracket Components



Dimensions and Light Gap Specifications

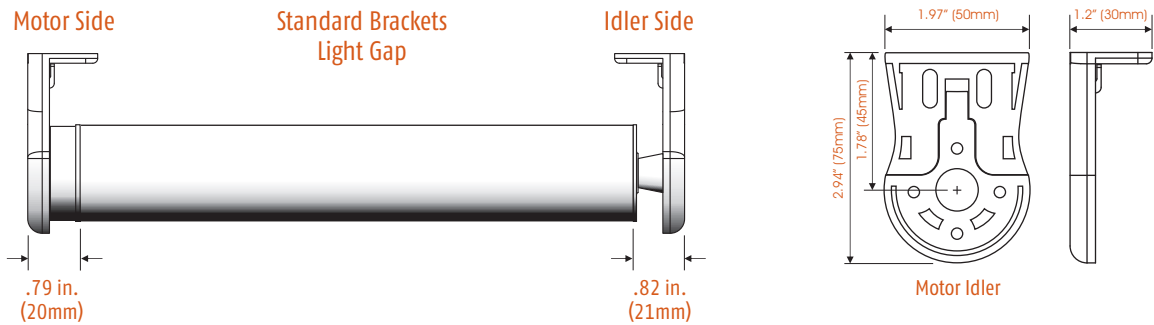


IMAGE	DESCRIPTION	CATALOG NUMBER
1	SONESSE™ 30 MOTOR	SEE PAGES 2 & 3
2	SONESSE™ 30 TO LS40 ADAPTER KIT	9013776
3	CROWN AND DRIVE (SOMFY 40MMX 1.5MM ROUND TUBE)	9012224
4	MOTOR BRACKET (DECORATOR TYPE)	9500683
5	IDLER END BRACKET (DECORATOR TYPE)	9500685
6	IDLER END PLUG (DECORATOR TYPE)	9500688
7	40MM ROUND DRIVE (FOR USE WITH IDLER END PLUG)	9147544
8	SOMFY 40MM ROUND TUBE (20FT. MAX LENGTH)	1781153
9	CORD CLIPS FOR ROMAN SHADE APPLICATIONS	9012200
10	CORD TAKE-UP REEL (40MM TUBE)	1781152
11	M3.5 x 9MM SCREWS	9014066

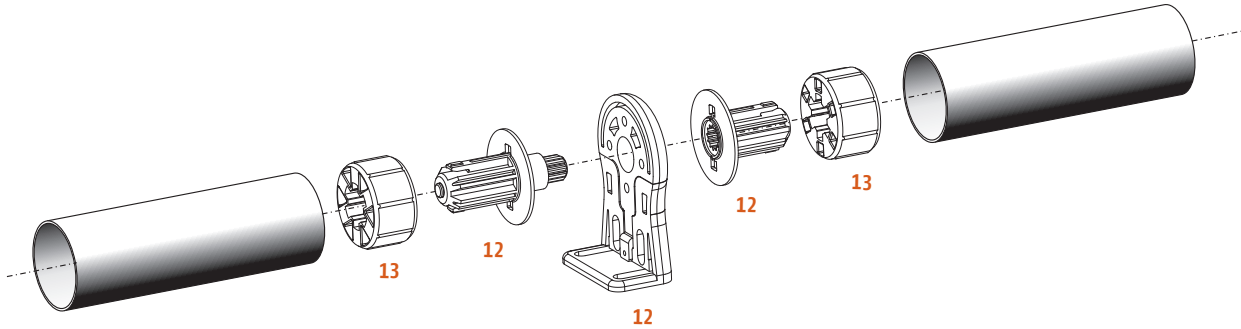
Solar/Roller Shades



Roman/Woven Shades



Intermediate Bracket Specifications



Dimensions and Light Gap Specifications

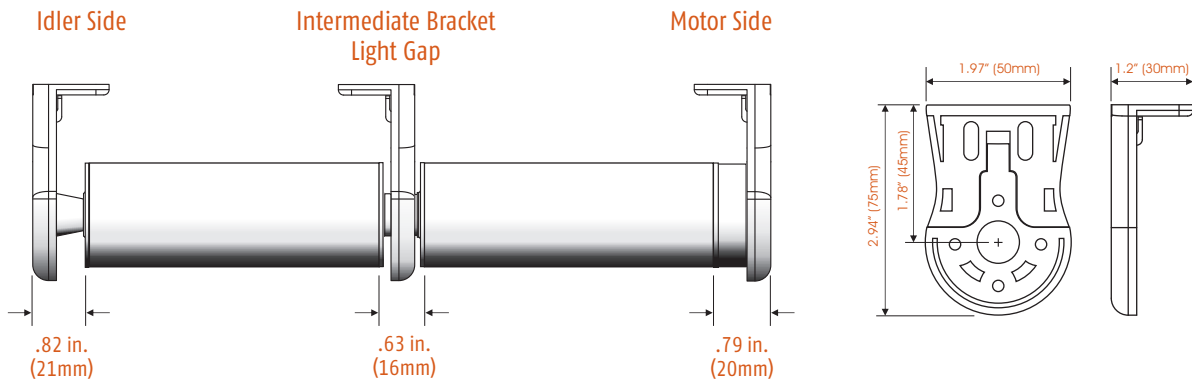


IMAGE	DESCRIPTION	CATALOG NUMBER
12	INTERMEDIATE BRACKET KIT (DECORATOR TYPE)	9500687
13	40MM ROUND DRIVE (FOR USE WITH INT. BRACKET)	9147544

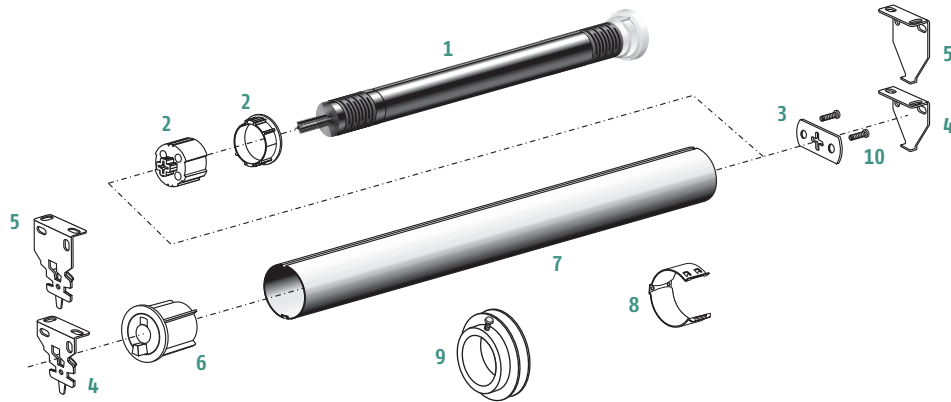
Solar/Roller Shades



Roman/Woven Shades



Standard Bracket Components



Dimensions and Light Gap Specifications

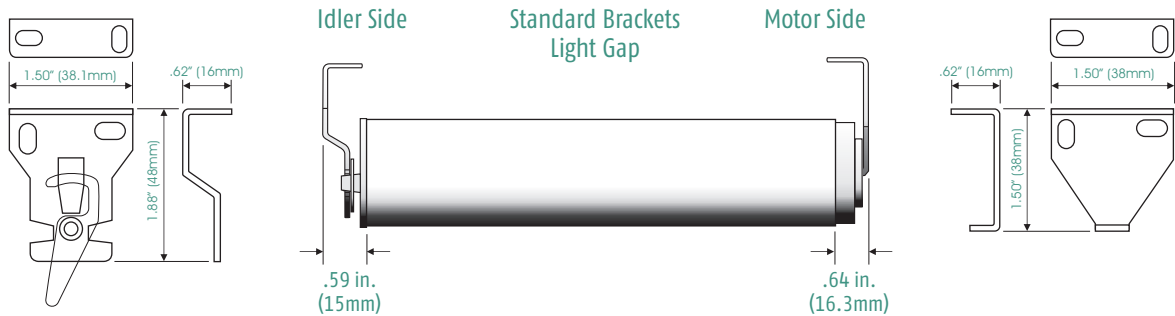


IMAGE	DESCRIPTION	CATALOG NUMBER
1	SONESSE™ 30 MOTOR	SEE PAGES 2 & 3
2	CROWN AND DRIVE FOR ROLLEASE® 1.5" TUBE	9013775
3	MOTOR ADAPTER PLATE FOR ROLLEASE R8 BRACKET WITH SCREWS	9014073
4	ROLLEASE® R8 SERIES BRACKETS 1.5"	CONTACT ROLLEASE
5	ROLLEASE® R8 SERIES BRACKETS 2"	CONTACT ROLLEASE
6	ROLLEASE® R8 1.5" IDLER END PLUG	CONTACT ROLLEASE
7	ROLLEASE® 1.5" TUBE	CONTACT ROLLEASE
8	CORD CLIPS FOR ROMAN SHADE APPLICATIONS	9012200
9	TAKE-UP REEL - ROLLEASE 1.5" TUBE	1780786
10	M3.5 x 9MM SCREWS	9014066

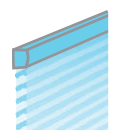
Solar/Roller Shades



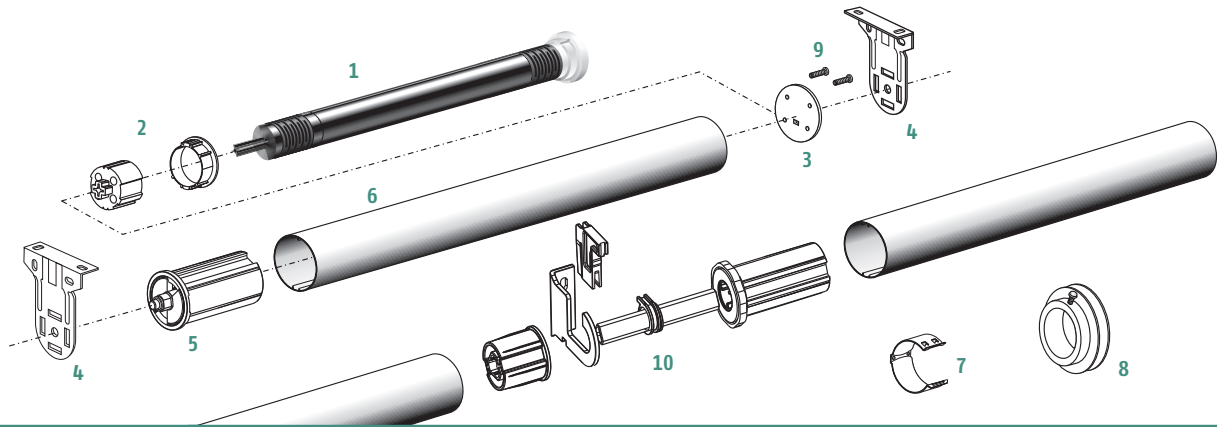
Roman/Woven Shades



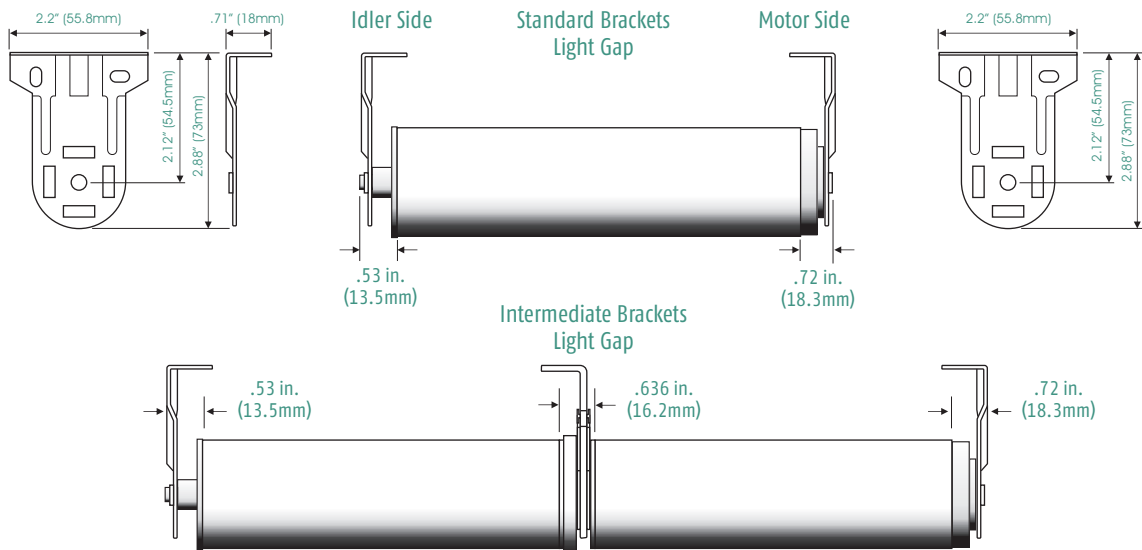
Sheer Horizontal Shades



Standard Bracket Components



Dimensions and Light Gap Specifications



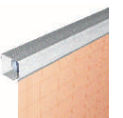
IMAGE

DESCRIPTION

CATALOG NUMBER

IMAGE	DESCRIPTION	CATALOG NUMBER
1	SONESSE™ 30 MOTOR	SEE PAGES 2 & 3
2	CROWN AND DRIVE FOR ROLLEASE® 1.5" TUBE	9013775
3	MOTOR BRACKET ADAPTER PLATE	5059162
4	ROLLEASE® SKYLINE SERIES BRACKETS 1.5"	5059163
5	ROLLEASE® SKYLINE SERIES IDLER END PLUG	5059165
6	ROLLEASE® 1.5" TUBE	CONTACT ROLLEASE
7	CORD CLIPS FOR ROMAN SHADE APPLICATIONS	9012200
8	TAKE-UP REEL - ROLLEASE 1.5" TUBE	1780786
9	M3.5 x 9MM SCREWS	9014066
10	ROLLEASE® SKYLINE SERIES INTERMEDIATE LINK SYSTEM	CONTACT ROLLEASE

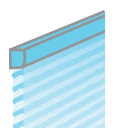
Solar/Roller Shades



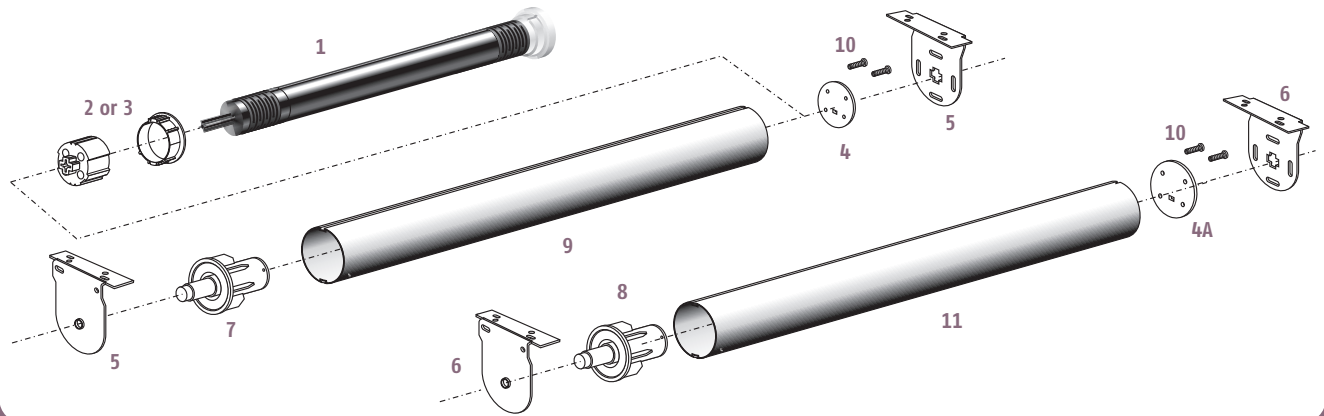
Roman/Woven Shades



Sheer Horizontal Shades



Standard Bracket Components



Dimensions and Light Gap Specifications

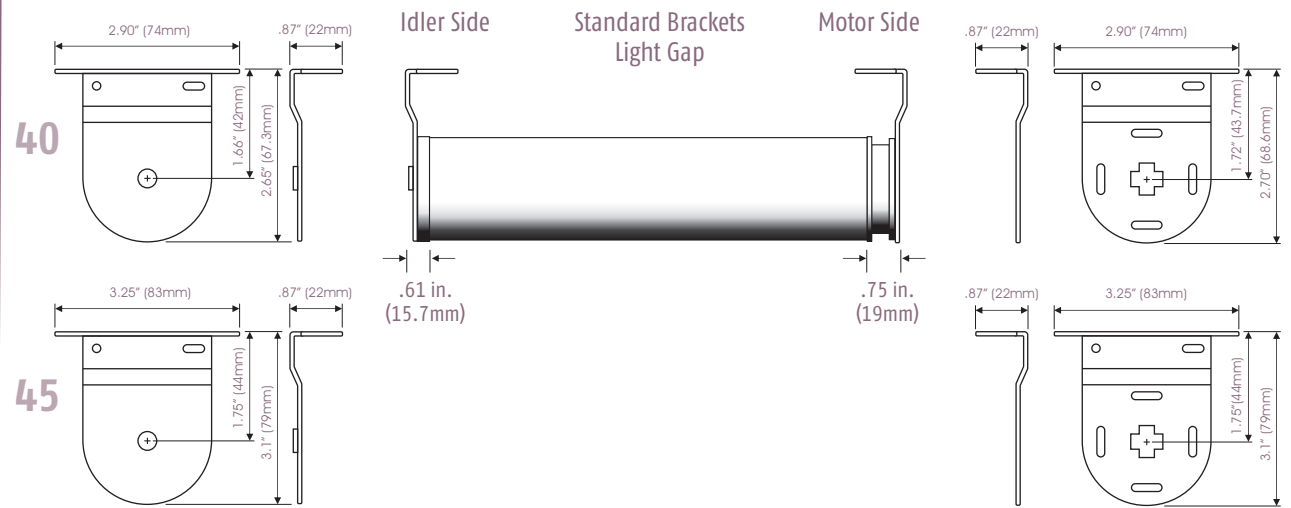
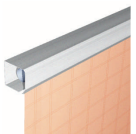


IMAGE	DESCRIPTION	CATALOG NUMBER
1	SONESSE™ 30 MOTOR	SEE PAGES 2 & 3
2	CROWN AND DRIVE (LOUVOLITE 40MM TUBE) WITH SCREWS	9013775
2, 4 & 10	CROWN AND DRIVE, MOTOR BRACKET ADAPTER PLATE WITH SCREWS (LOUVOLITE SYSTEM 40)	9014045
3, 4A, & 10	CROWN AND DRIVE, MOTOR BRACKET ADAPTER PLATE WITH SCREWS (LOUVOLITE SYSTEM 45)	9014333
4	MOTOR BRACKET ADAPTER PLATE WITH SCREWS (LOUVOLITE SYSTEM 40)	9014072
4a	MOTOR BRACKET ADAPTER PLATE WITH SCREWS (LOUVOLITE SYSTEM 45)	9016013
5	MOTOR & IDLER BRACKET KIT (LOUVOLITE SYSTEM 40)	9013715
6	*MOTOR & IDLER BRACKET KIT (LOUVOLITE SYSTEM 45)	9015554
7	COLLAPSIBLE END PLUG (LOUVOLITE SYSTEM 40)	9013716
8	COLLAPSIBLE END PLUG (LOUVOLITE SYSTEM 45)	9015555
9	LOUVOLITE 40MM TUBE	CONTACT LOUVOLITE
10	SCREWS M3.5X9MM	9014066
11	LOUVOLITE 45MM TUBE	CONTACT LOUVOLITE

* KIT TO BE USED WITH MOTOR BRACKET ADAPTER PLATE (LOUVOLITE SYSTEM 40), CATALOG #9014072

Solar/Roller Shades



Roman/Woven Shades



Cord Take-Up System (CTS)

SOMFY CTS 40

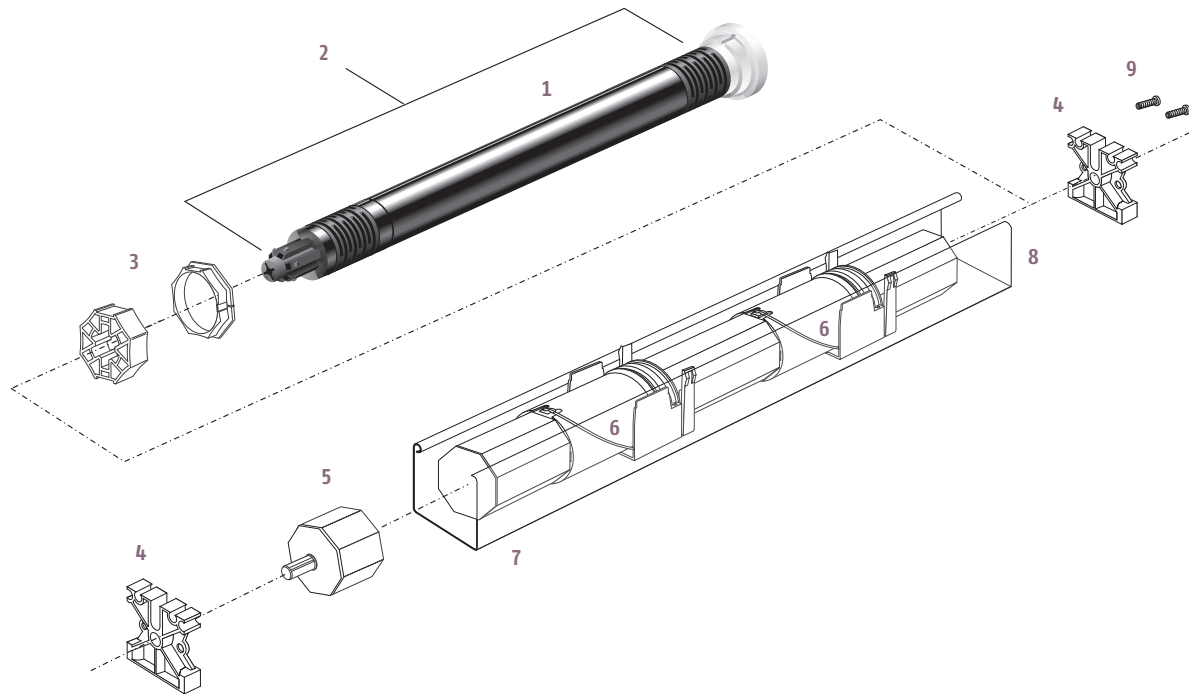
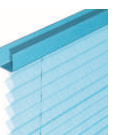


IMAGE	DESCRIPTION	CATALOG NUMBER
1	SONESSE™ 30 MOTOR	SEE PAGES 2 & 3
2	SONESSE™ 30 TO LS40 ADAPTER WITH SCREWS	9013776
3	CROWN AND DRIVE KIT 40MM OCTAGONAL TUBE	9012225
4	MOTOR / IDLER BRACKET (FOR 57 X 51MM HEADRAIL)	9500736
5	IDLER END PLUG FOR 40MM OCTAGONAL TUBE	9012274
6	CTS 40 (FOR 57 X 41MM HEADRAIL)	1781118
7	SOMFY 40MM OCTAGONAL TUBE (20FT. MAX LENGTH)	1781154
8	57X51MM (2" X 2 1/4") GUTTER RAIL OR SIMILAR	CONTACT MANUFACTURER
9	M3.5 X 9MM SCREWS	9014066

Roman/Woven Shades



Cellular/Pleated Blinds

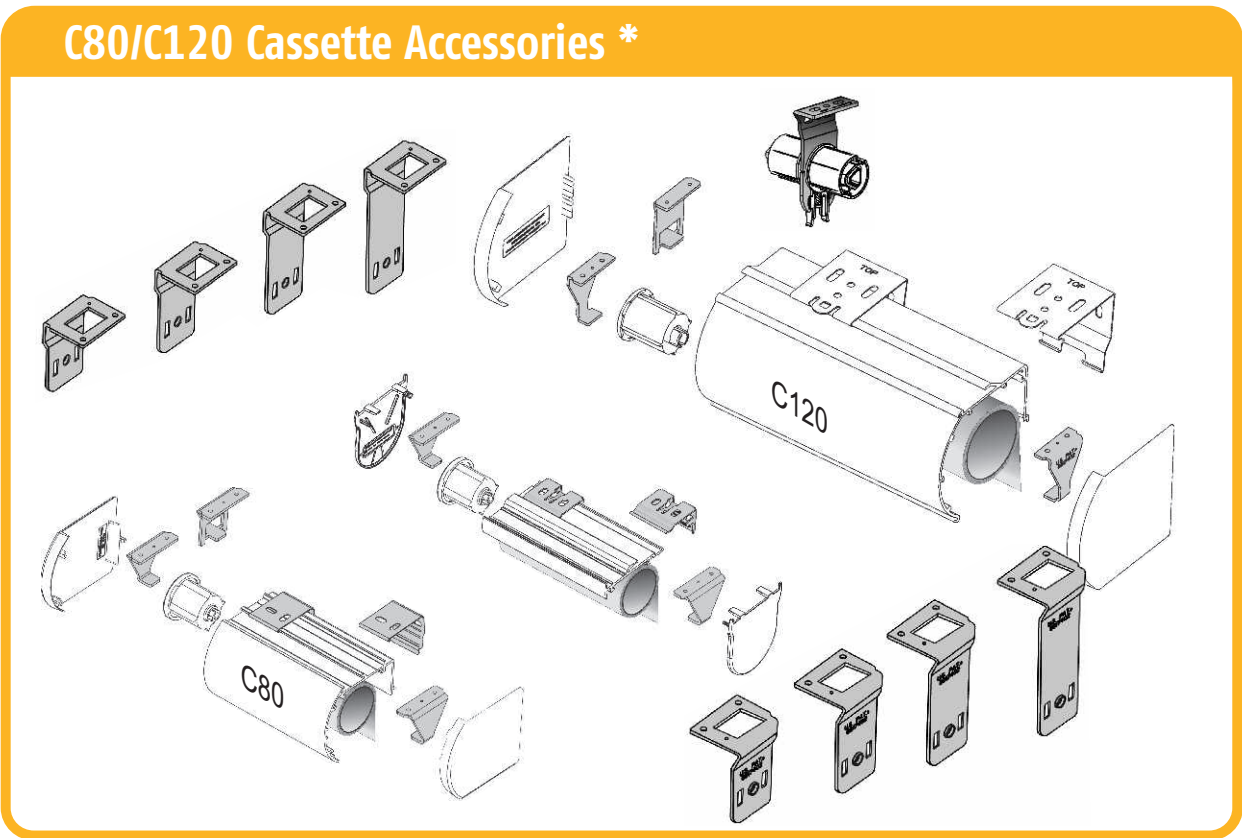
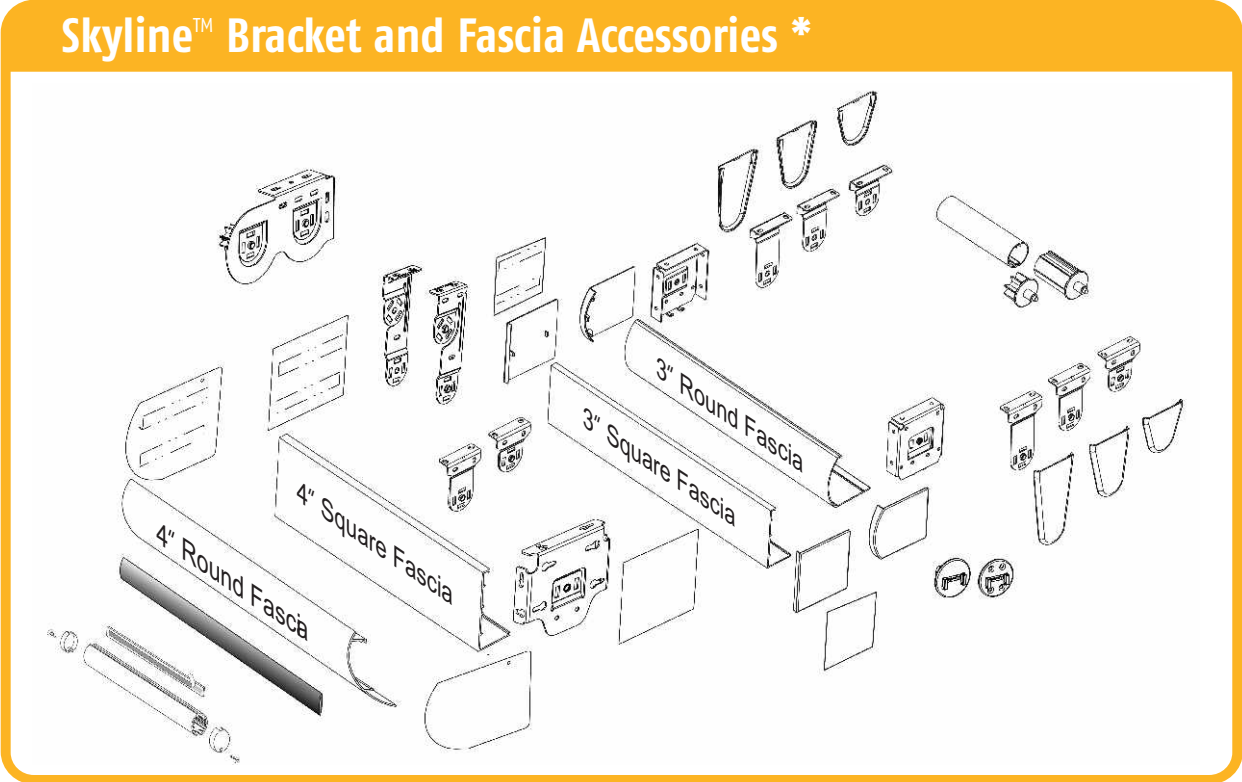


Horizontal Blinds



Bracket, Fascia, and Cassette Solutions

ROLLEASE®



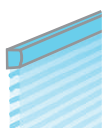
Solar/Roller Shades



Roman/Woven Shades

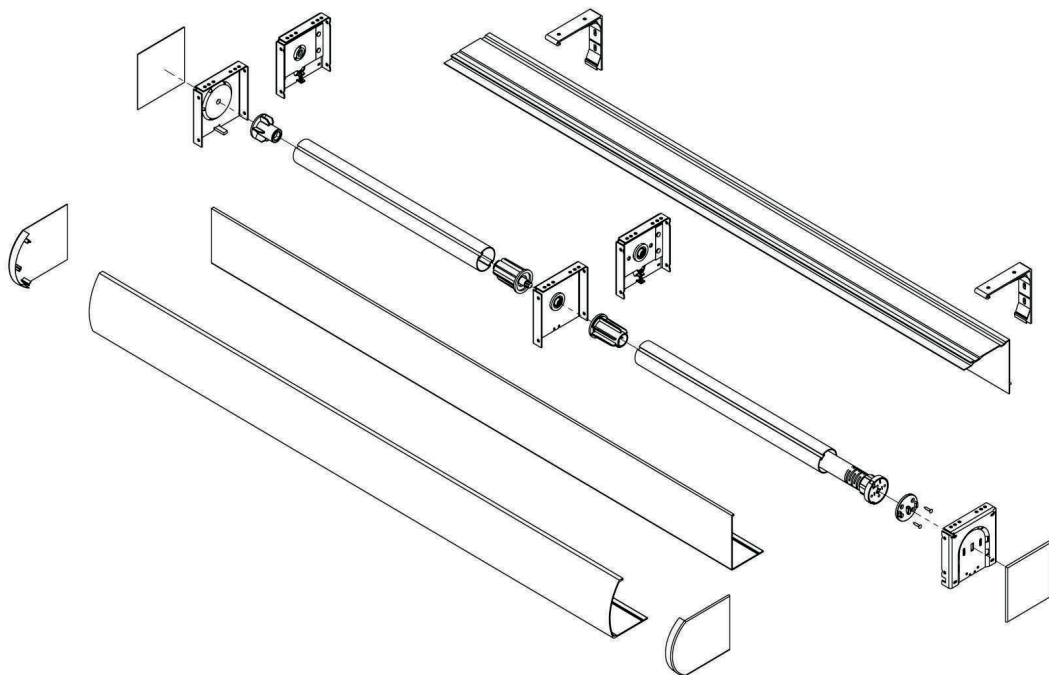


Sheer Horizontal Shades

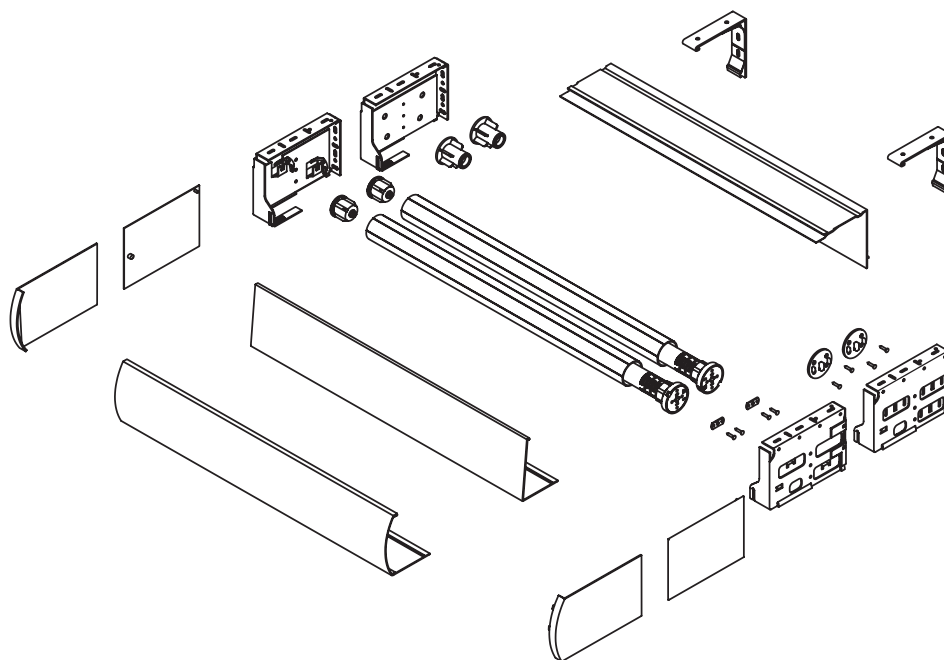


* Available through RollEase®

Intermediate Bracket Solutions

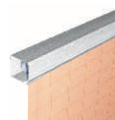


Duo Shade Fascia Components



* Available through ZMC Window Coverings, Inc.

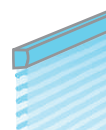
Solar/Roller Shades



Roman/Woven Shades



Sheer Horizontal Shades



**SOMFY SYSTEMS, INC.
NORTH AMERICA HEADQUARTERS**

121 HERROD BLVD.
DAYTON, NJ 08810
(P) 800 222 SOMFY
(P) 609 395 1300
(F) 609 395 1776

SOMFY FLORIDA

6100 BROKEN SOUND PKWY
NORTHWEST SUITE 14
BOCA RATON, FL 33487
(P) 877 227 6639
(P) 561 995 0335
(F) 561 995 7502

SOMFY CALIFORNIA

15291 BARRANCA PKWY
IRVINE, CA 92618
(P) 877 727 6639
(F) 949 727 3775

SOMFY CANADA

6315 SHAWSON DRIVE UNIT 1
MISSISSAUGA, ONTARIO L5T1J2
(P) 800 667 6639
(P) 905 564 6446
(F) 905 564 2679