

Brother 1034d Serger Needles:

Why are the threads not catching; They are they in a straight line?

https://help.brother-usa.com/app/answers/detail/a_id/78981

Why are the threads not catching; They are they in a straight line?

If you have experiencing a problem with your machine such as jamming and now your thread does not chain off when you press the foot control, follow the steps below to resolve this issue.

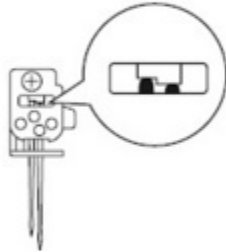
1. Needles are bent or the tip is blunt. Replace needle with a new one.

Turn main power and light switch to the OFF position.

Turn the hand wheel so that the mark on the hand wheel is aligned to the line on the machine.

Loosen the needle set screw with turning the included hexagonal driver to the left direction. And then remove the needles.

Hold the needle with its flat side away from you and insert it up as far as it will go.



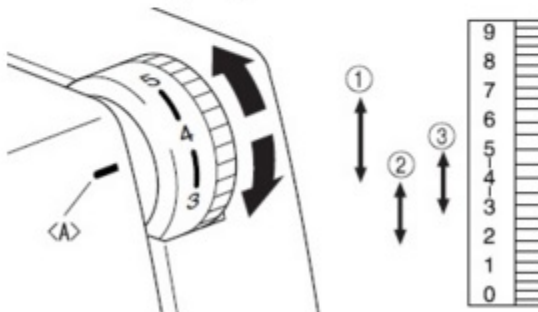
NOTE: If the needles have been inserted correctly, the right needle should be set slightly lower than the left one.

2. Needles are incorrectly installed. Install needles correctly.

Hold the needle with its flat side away from you and insert it up as far as it will go.

Tighten the needle set screw securely with turning the included hexagonal driver toward the right direction.

3. Thread tension too tight. Adjust the thread tension.



Sewing is possible at position '4' for most circumstances.

If the stitch quality is insufficient, select a different tension setting.

4. Incorrect needle being used. Install correct needle.

This machine uses a standard home sewing machine needle.

The recommended needle is SCHMETZ 130/705H (#80 or #90).

