



GP350 series

GP350 Series
Bushings Pump
Bi-Rotational with
Rear Ports
Bushings style gear pump



power up performance



High Performance P350 Pump Replacements

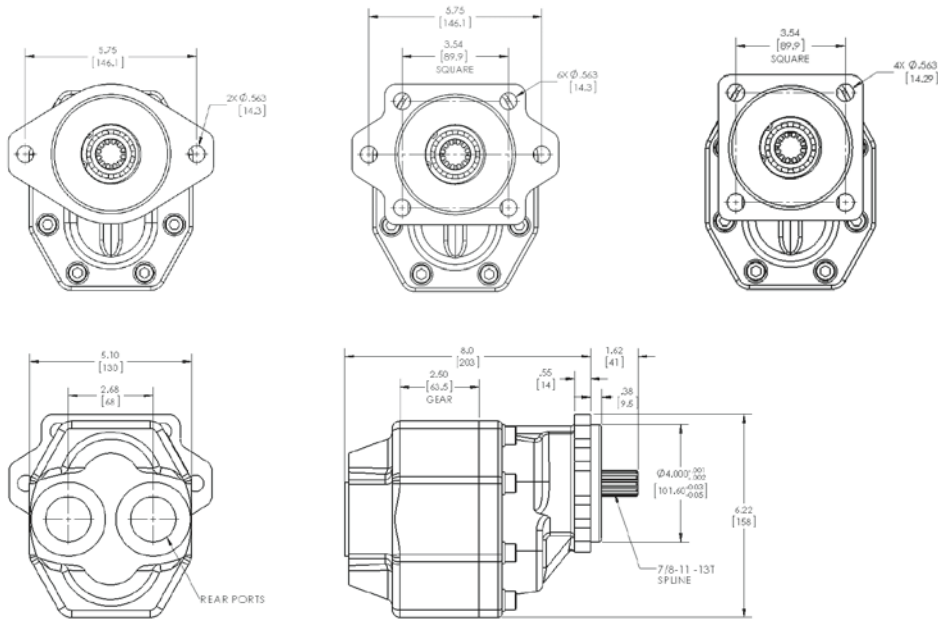
- High grade cast iron pump body
- Two piece design
- High Performance 97% Efficiency Rating
- Lightweight design
- Multiple configuration
- SAE "B" 4 bolt and 2/4 bolt
- Max. continuous pressure 3000 psi
- High pressure front seal
- 35 lbs.

CH Custom
Hoists, Inc.

Standex
ESSENTIAL PRODUCTS FOR YOUR WORLD

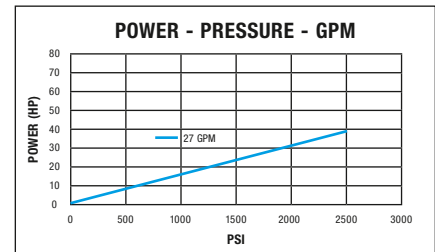
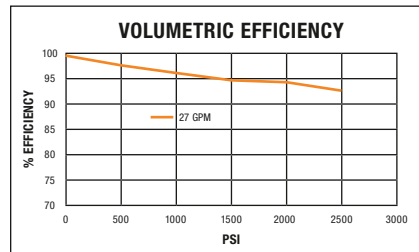
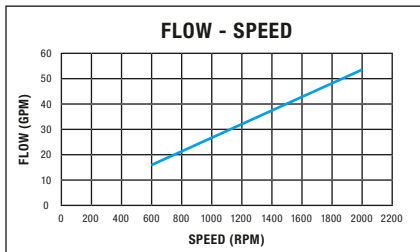
Ph: 419-368-4721 | 800-837-4668 • Fax: 419-368-4209 | 800-224-6478
www.customhoists.com

GP350 series | High Performance P350 Pump Replacements



Bushing Pump Bi-Rotational with Rear Ports

PART NUMBER	DESCRIPTION	SHAFT	MOUNTING	GEAR	INLET & PRESSURE PORTS
CHGP350A346VCEB25-25	Bi-Rotational Bushing Pump	7/8" 13 Tooth	2/4 Bolt "B" Flange	2.5" (6.2 cu in)	1-1/4" NPT
CHGP350A342VCEB25-25	Bi-Rotational Bushing Pump	7/8" 13 Tooth	4 Bolt "B" Flange	2.5" (6.2 cu in)	1-1/4" NPT
CHGP350A397VCEB25-25	Bi-Rotational Bushing Pump	7/8" 13 Tooth	2 Bolt "B" Flange	2.5" (6.2 cu in)	1-1/4" NPT



Contact us today to learn how we can help meet your hydraulic system needs.

Ph: 419-368-4721 | 800-837-4668 ■ Fax: 419-368-4209 | 800-224-6478 ■ www.customhoists.com