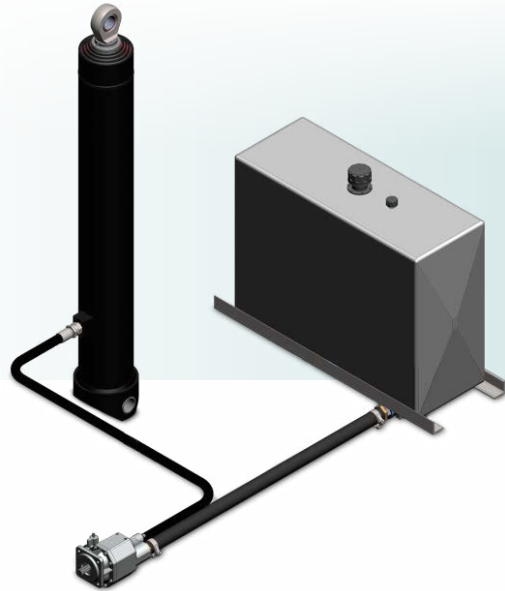




# WK-102

2 line system



# High Performance hydraulic systems



## Gear Pump With Integrated Tipping Valve

- Multiple pump options with air shift, cable shift or hydraulic tipping valve
- 35-50 gallon hydraulic oil reservoir with mounting brackets
- Pneumatic or manual hoist control
- 27 GPM with up to 3000 psi hydraulic system
- For operation of dump trucks and dump trailers

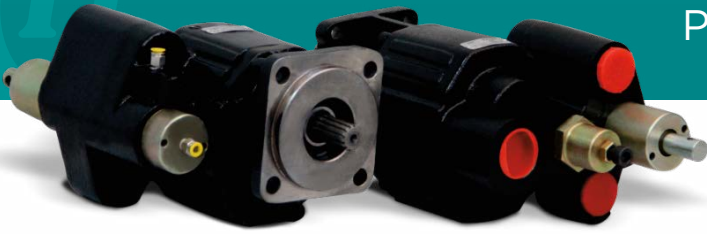
**CH** Custom Hoists, Inc.

**Standex**  
ESSENTIAL PRODUCTS FOR YOUR WORLD

Ph: 419-368-4721 | 800-837-4668 • Fax: 419-368-4209 | 800-224-6478  
[www.customhoists.com](http://www.customhoists.com)

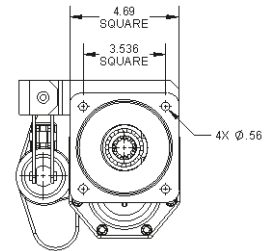
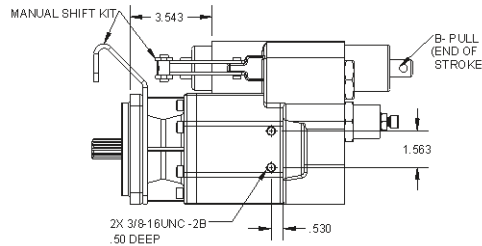
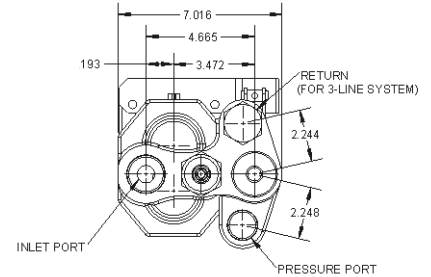
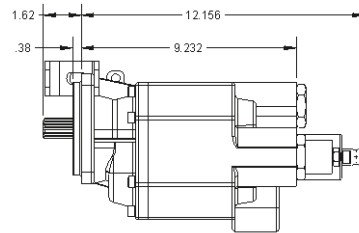
# Hydraulic Pump

PVB series



## High Performance C102 Pump Replacements

- Compact design
- Light weight (49 lbs.)
- High grade cast iron pump body
- Two piece design
- High performance 97% efficiency rating
- Optional dual pressure relief
- Left and right hand rotation
- SAE "B" 4 bolt flange mounting
- High pressures up to 3000 psi
- Air and manual shift
- 2 line or 3 line system installation
- High pressure front seal



- C102**
- 69 lbs.
  - 2-1/2" Longer
  - 3/8" Wider

20 LBS. LIGHTER!



- PVB**
- 49 lbs.
  - 2-1/2" Shorter
  - 3/8" Thinner



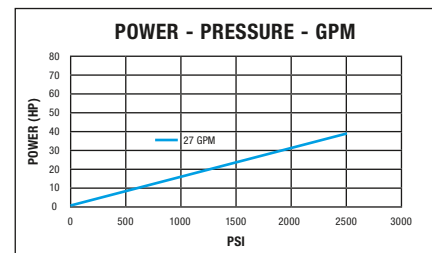
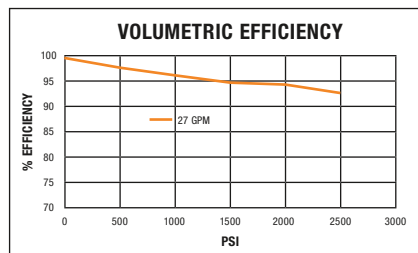
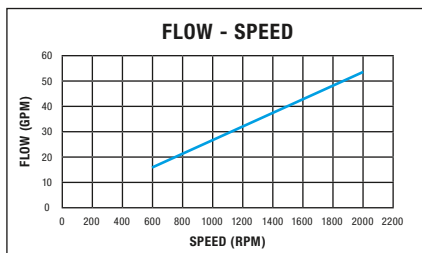
Manual Shift



Air Shift

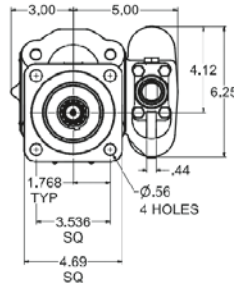
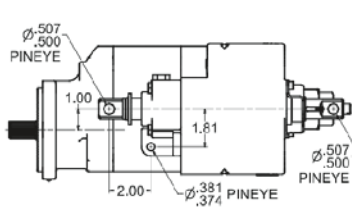
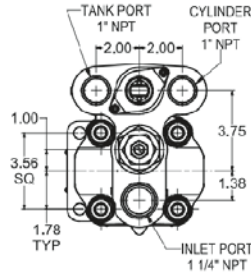
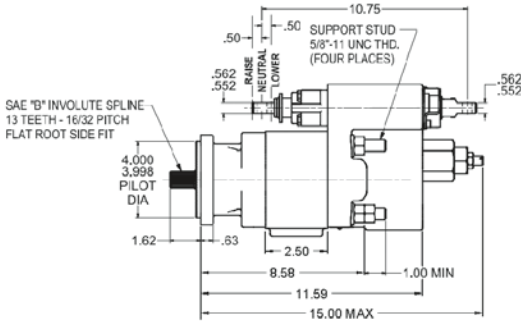
## Direct Mount Bushing Dump Pump

| PART NUMBER     | DESCRIPTION                      | SHAFT         | GEAR             | INLET      | PRESSURE & RETURN PORT |
|-----------------|----------------------------------|---------------|------------------|------------|------------------------|
| CHPVB102-LMS-25 | Manual Shift-Left Hand Rotation  | 7/8" 13 Tooth | 2.5" (6.2 cu in) | 1-1/4" NPT | 1" NPT                 |
| CHPVB102-RMS-25 | Manual Shift-Right Hand Rotation | 7/8" 13 Tooth | 2.5" (6.2 cu in) | 1-1/4" NPT | 1" NPT                 |
| CHPVB102-LAS-25 | Air Shift-Left Hand Rotation     | 7/8" 13 Tooth | 2.5" (6.2 cu in) | 1-1/4" NPT | 1" NPT                 |
| CHPVB102-RAS-25 | Air Shift-Right Hand Rotation    | 7/8" 13 Tooth | 2.5" (6.2 cu in) | 1-1/4" NPT | 1" NPT                 |



# Hydraulic Pump

PV series

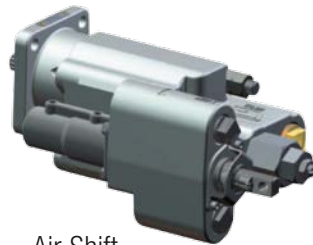


## Economical C102 Pump Replacements

- Cast iron pump body
- Heavy duty roller bearings
- Left and right hand rotation
- SAE "B" 4 bolt flange mounting
- High pressures up to 2250 psi
- Air and manual shift
- Adjustable relief valve
- High pressure front seal
- Chrome steel valve spool
- 2 line or 3 line system installation



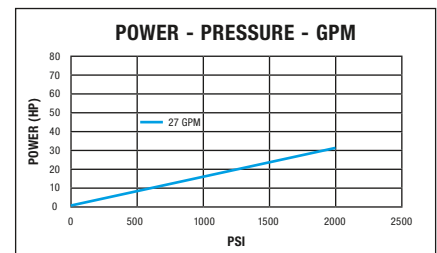
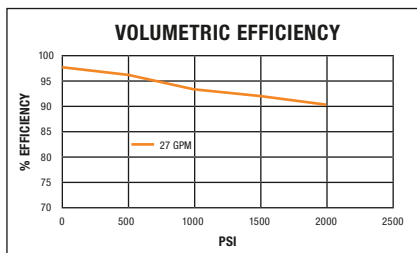
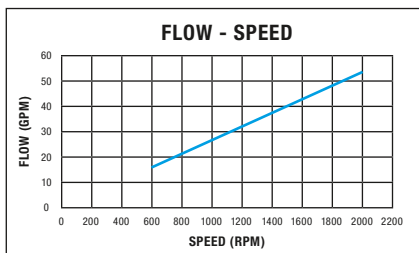
Manual Shift



Air Shift

## Direct Mount Dump Pump

| PART NUMBER    | DESCRIPTION                      | SHAFT         | GEAR             | INLET      | PRESSURE & RETURN PORT |
|----------------|----------------------------------|---------------|------------------|------------|------------------------|
| CHPV102-LMS-25 | Manual Shift—Left Hand Rotation  | 7/8" 13 Tooth | 2.5" (6.2 cu in) | 1-1/4" NPT | 1" NPT                 |
| CHPV102-RMS-25 | Manual Shift—Right Hand Rotation | 7/8" 13 Tooth | 2.5" (6.2 cu in) | 1-1/4" NPT | 1" NPT                 |
| CHPV102-LAS-25 | Air Shift—Left Hand Rotation     | 7/8" 13 Tooth | 2.5" (6.2 cu in) | 1-1/4" NPT | 1" NPT                 |
| CHPV102-RAS-25 | Air Shift—Right Hand Rotation    | 7/8" 13 Tooth | 2.5" (6.2 cu in) | 1-1/4" NPT | 1" NPT                 |

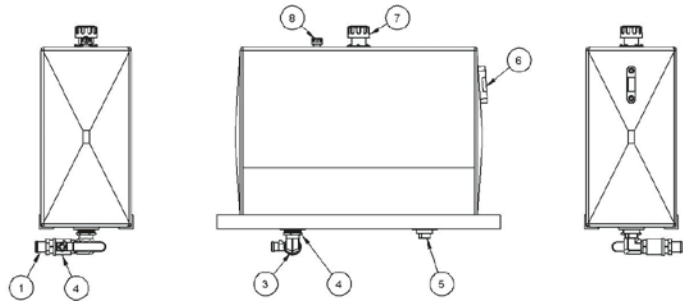
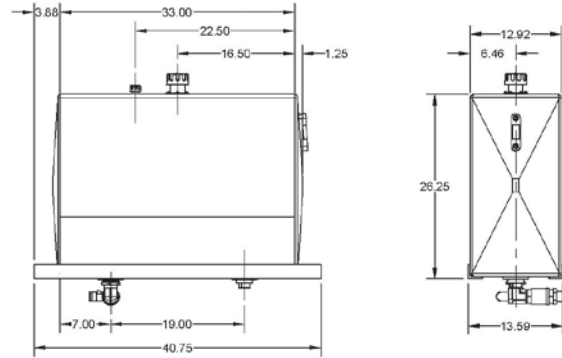


# Hydraulic Reservoir

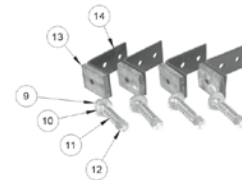
## Assembly (upright mount)



- Steel or aluminum construction with diamond plate top section
- Steel finish: black powder coated
- Aluminum finish: bright polished
- Fully baffled with two heavy duty NPT bottom ports
- Features filtered mushroom vent for increased air exchange
- Filler/breather assembly – including 40 micron filter/breather cap (chain mounted) with nylon strainer basket and bayonet closure
- Dual mounting rails (2" × 2") welded to tank assembly
- Sight/temperature gauge standard



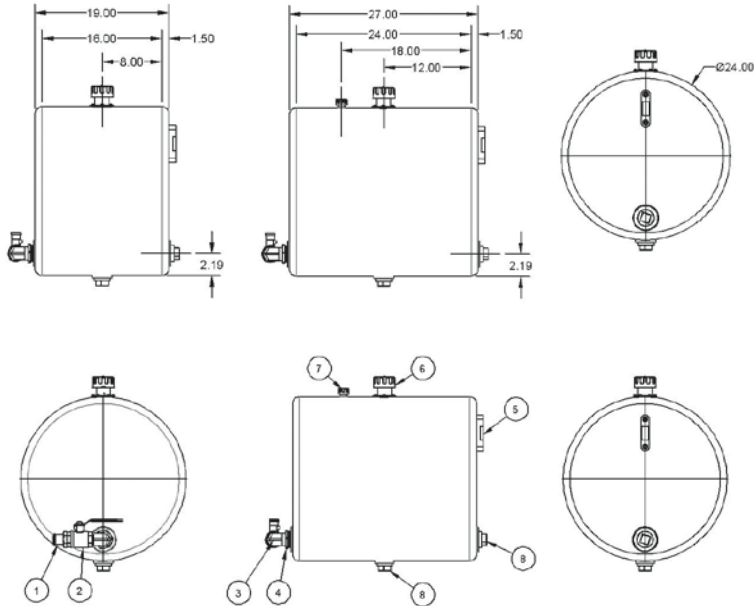
| ITEM | DESCRIPTION                  | QTY |
|------|------------------------------|-----|
| 1    | 1-1/2" Hose Adapter          | 1   |
| 2    | 1-1/2" Ball Valve            | 1   |
| 3    | 1-1/2" Elbow                 | 1   |
| 4    | 2" × 1-1/2" Reducer          | 1   |
| 5    | Pipe Plug 2.00 NPTF          | 1   |
| 6    | Oil Level Indicator          | 1   |
| 7    | Breather/Filler              | 1   |
| 8    | Vent                         | 1   |
| 9    | Bolt, 5/8-11 UNC X 4-1/2 LG. | 4   |
| 10   | Flatwasher, Ø 5/8            | 8   |
| 11   | Compression Spring           | 4   |
| 12   | Lock Nut, 5/8-11             | 4   |
| 13   | Rubber Mounting Pads         | 4   |
| 14   | Mounting Angles              | 4   |



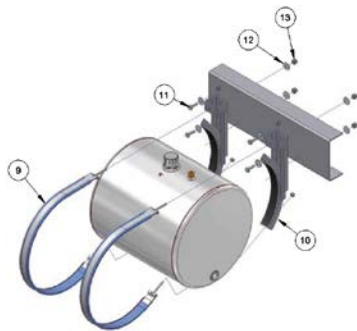
| PART NUMBER     | DESCRIPTION                           | MATERIAL | CYLINDER OIL EXTENDED CAPACITY | THREE BOTTOM PORTS | WEIGHT   |
|-----------------|---------------------------------------|----------|--------------------------------|--------------------|----------|
| HRA-1-50-UMS    | 50 Gallon Upright Mount               | Steel    | 40 gallon                      | 2" NPT             | 150 lbs. |
| HRA-1-50-UMS-ST | 50 Gallon Upright Mount w/ Temp Gauge | Steel    | 40 gallon                      | 2" NPT             | 150 lbs. |
| HRA-1-50-UMA    | 50 Gallon Upright Mount               | Aluminum | 40 gallon                      | 2" NPT             | 77 lbs.  |
| HRA-1-50-UMA-ST | 50 Gallon Upright Mount w/ Temp Gauge | Aluminum | 40 gallon                      | 2" NPT             | 77 lbs.  |
| HRA-1-70-UMS    | 70 Gallon Upright Mount               | Steel    | 56 gallon                      | 2" NPT             | 200 lbs. |
| HRA-1-70-UMS-ST | 70 Gallon Upright Mount w/ Temp Gauge | Steel    | 56 gallon                      | 2" NPT             | 200 lbs. |
| HRA-1-50-UMA    | 70 Gallon Upright Mount               | Aluminum | 56 gallon                      | 2" NPT             | 130 lbs. |
| HRA-1-70-UMA-ST | 70 Gallon Upright Mount w/ Temp Gauge | Aluminum | 56 gallon                      | 2" NPT             | 130 lbs. |

# Hydraulic Reservoir

## Assembly (Round Saddle Mount)



| ITEM | DESCRIPTION                  | QTY |
|------|------------------------------|-----|
| 1    | 1-1/2" Hose Adapter          | 1   |
| 2    | 1-1/2" Ball Valve            | 1   |
| 3    | 1-1/2" Elbow                 | 1   |
| 4    | 2" x 1-1/2" Reducer          | 1   |
| 5    | Oil Level Indicator          | 1   |
| 6    | Breather/Filler              | 1   |
| 7    | Vent                         | 1   |
| 8    | Pipe Plug 2.00 NPTF          | 2   |
| 9    | Straps                       | 2   |
| 10   | J-Bracket                    | 2   |
| 11   | Bolt, 1/2-13 UNC X 2-1/2 LG. | 4   |
| 12   | Flatwasher, Ø 1/2            | 8   |
| 13   | Lock Nut, 1/2-13             | 4   |



- Steel or aluminum construction
- Steel finish: black powder coated
- Aluminum finish: bright polished
- Three heavy duty NPT bottom ports with built in diffusers
- Features filtered mushroom vent for increased air exchange
- Filler/breather assembly-including 40 micron filter/breather cap (chain mounted) with nylon strainer basket and bayonet closure
- Includes mounting kit with J-brackets and stainless steel straps
- Sight/temperature gauge standard

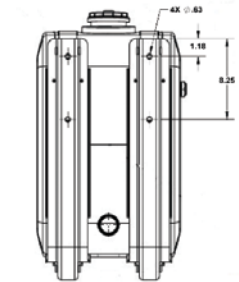
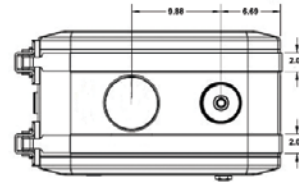
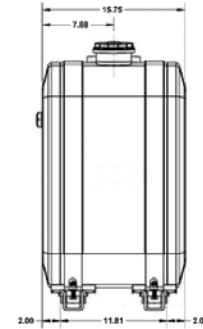
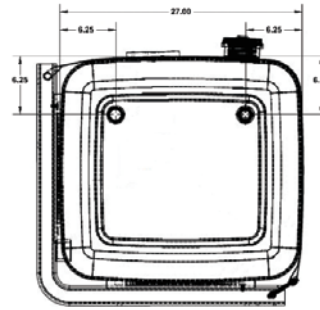
| PART NUMBER      | DESCRIPTION                                      | MATERIAL | CYLINDER OIL EXTENDED CAPACITY | THREE BOTTOM PORTS | WEIGHT   |
|------------------|--|----------|--------------------------------|--------------------|----------|
| HRA-1-35-RSMS    | 35 Gallon Round Saddle Mount w/ Carbon Straps    | Steel    | 28 gallon                      | 2" NPT             | 106 lbs. |
| HRA-1-35-RSMA    | 35 Gallon Round Saddle Mount w/ Carbon Straps    | Aluminum | 28 gallon                      | 2" NPT             | 76 lbs.  |
| HRA-1-35-RSMA-SS | 35 Gallon Round Saddle Mount w/ Stainless Straps | Aluminum | 28 gallon                      | 2" NPT             | 76 lbs.  |
| HRA-1-50-RSMS    | 50 Gallon Round Saddle Mount w/ Carbon Straps    | Steel    | 50 gallon                      | 2" NPT             | 124 lbs. |
| HRA-1-50-RSMA    | 50 Gallon Round Saddle Mount w/ Carbon Straps    | Aluminum | 50 gallon                      | 2" NPT             | 84 lbs.  |
| HRA-1-50-RSMA-SS | 50 Gallon Round Saddle Mount w/ Stainless Straps | Aluminum | 50 gallon                      | 2" NPT             | 84 lbs.  |





# Hydraulic Reservoir Assembly (Side Mount)

- Steel or aluminum construction
- Steel finish: black powder coated
- Aluminum finish: bright polished
- 1-1/2" BSP suction port
- 1" BSP return port (plugged)
- Filler/breather assembly – including 40 micron filter/breather cap with strainer basket
- Includes mounting kit with J-brackets and stainless steel straps
- Oil level sight gauge standard



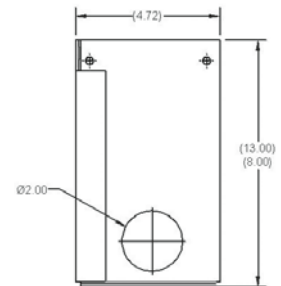
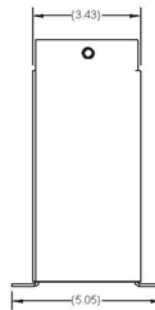
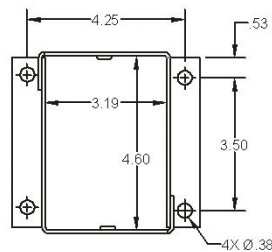
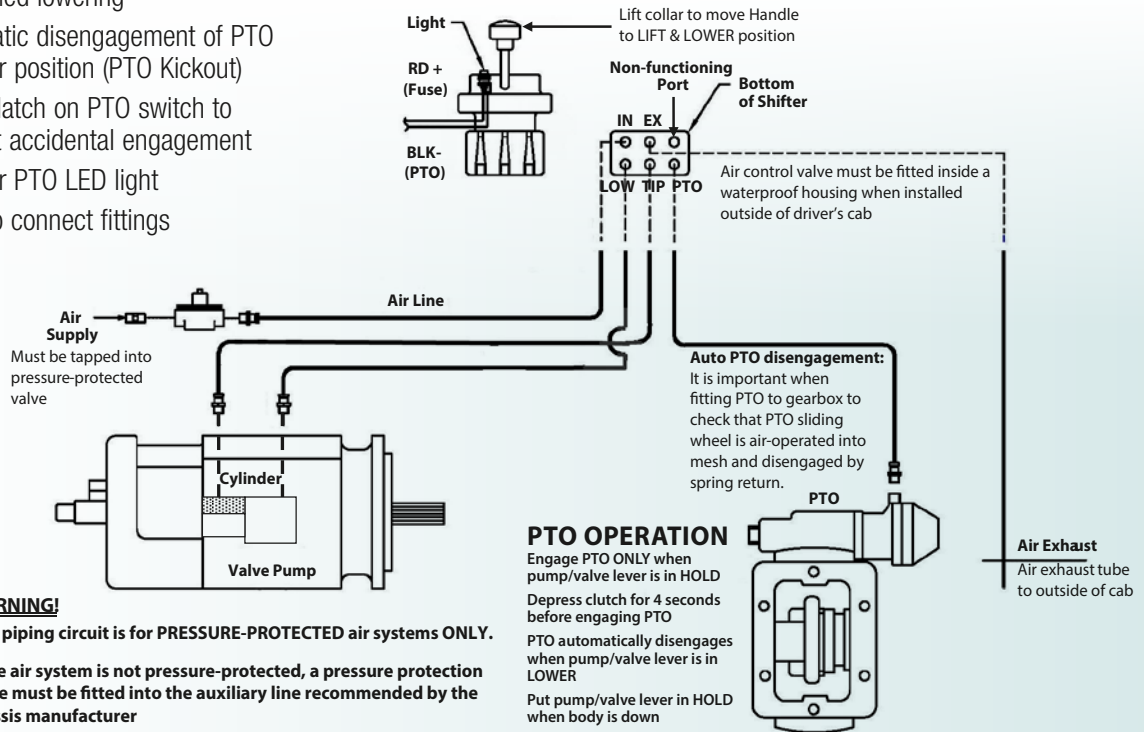
| PART NUMBER     | DESCRIPTION                              | MATERIAL | CYLINDER OIL EXTEND CAPACITY |
|-----------------|--|----------|------------------------------|
| HRA-1-35-SMA-SS | 35 Gallon Side Mount w/ Stainless Straps | Aluminum | 28 gallon                    |
| HRA-1-35-SMS-SS | 35 Gallon Side Mount w/ Stainless Straps | Steel    | 28 gallon                    |

# Hoist Control

## Pneumatic



- Controlled lowering
- Automatic disengagement of PTO in lower position (PTO Kickout)
- Safety latch on PTO switch to prevent accidental engagement
- Brighter PTO LED light
- Push to connect fittings



| PART NUMBER  | DESCRIPTION            | PTO KICKOUT | DEAD MAN HANDLE (Spring to Neutral) | CONTROL TOWER |
|--------------|------------------------|-------------|-------------------------------------|---------------|
| HCP-1-295    | Metering Hoist Control | Yes         | No                                  | No            |
| HCP-1-295M   | Metering Hoist Control | No          | No                                  | No            |
| HCP-1-295DMH | Metering Hoist Control | Yes         | Yes                                 | No            |
| HT-8         | Hoist Control Tower    | No          | No                                  | 8"            |
| HT-13        | Hoist Control Tower    | No          | No                                  | 13"           |

# Hydraulic Cylinders

**1500 Series**  
Trunnion Mounting



**2000 Series**  
Trunnion Eye Mounting



**2500/2600 Series**  
Pin Eye Mounting



**3000 Series**  
Trunnion Pin Ported



**4000 Series**  
Pin-to-Pin Mounting



**Rod Cylinder**



Custom Hoists produces the widest range of telescoping and rod cylinders in the industry designed to work in tune with our wet kits and pumps. We offer European and traditional head nut designs in a wide range of sizes and mounting configurations to fit your needs. Contact us today to learn how we can provide full system hydraulic solutions for all your lifting needs.



**Custom Hoist, Inc.**  
771 Rt. 30A West  
Ashland, OH 44805, U.S.A.  
Ph: 419-368-4721 | 800-837-4668  
Fax: 419-368-4209 | 800-224-6478  
[www.customhoists.com](http://www.customhoists.com)

**Custom Hoist Hydraulics (Tianjin) Co., Ltd.**  
61# Huasheng Road  
Beichen High-Tech Industrial Park  
Tianjin 300409, China  
Ph: (86) 22-86993870  
Fax: (86) 22-86996885