



# VOT

*together we are stronger*

## ACROCAM

We proudly offer you this unmatched solution that will allow you to mount a camera at almost unthinkable spots, move it around freely and repeat the movements using the programmable remote control that comes with it.

The system that suits the cameras of any size (stage management system cameras, movie cameras or actual cameras) and can capture smooth footage thanks to its stabilization system is a national rival to the systems like Spidercam.



voice of turk



# VOT

*together we are stronger*

## ACROCAM

Thanks to the ongoing improvements, it can be installed much more easily and a wide range of accessories allow adaptation to all kinds of projects you might have, either indoor or outdoor.

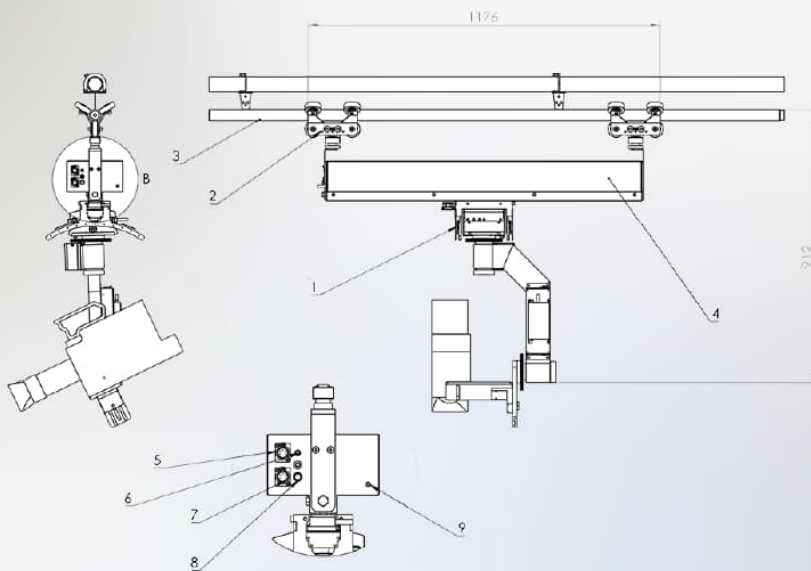


voice of turk



*together we are stronger*

# ACROCAM



- 1 1 axis gyro stabilizer
- 2 Pollurentane
- 3 Single track
- 4 Aliminium
- 5 AC or DC input
- 6 Data output (Position data for
- 7 Control data
- 8 External sensor
- 9 Bluetooth

## STABILIZED REMOTE

- Payload: 20 Kg
- Axis of stabilization: 1
- Weigh 19 Kg
- Pan: 360 degrees
- Tilt: 130 degrees
- RS232 Serial data control
- Bluetooth control
- ELECTRICAL
- 3 amps @ 220V
- Payload
- Speed: Maximum
- Limit sensors
- Control modes: Manual or

## SINGLE TRACK

- Touchscreen controller
- RS232 serial data control
- Bluetooth control
- Curved track options

*-installation and training (2 days) free-*

