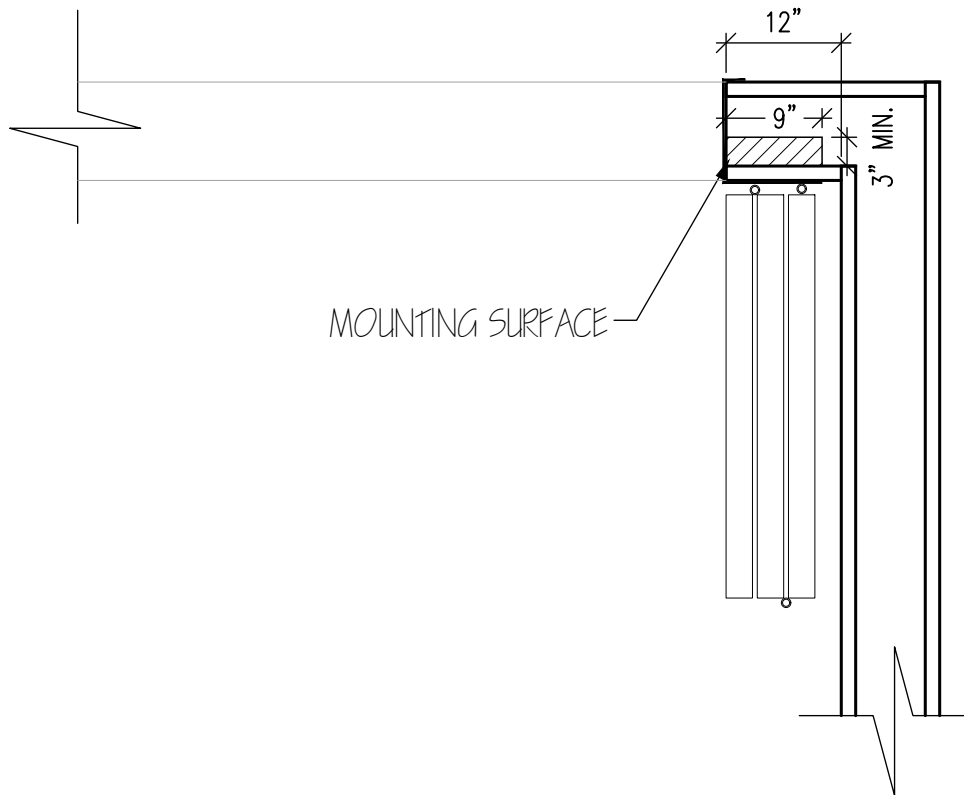


# TOP VIEW

CORNER DETAIL FOR 3 PANELS PER SIDE "MANUAL"

3 PANELS  
CORNER

MINIMUM SIDE SPACE  
REQUIREMENTS



\*IF METAL BUILDING, MOUNTING SURFACE SHOULD BE AN  
9" STEEL POST OR 5mm ( $\frac{3}{16}$ " ) THICK STEEL PLATE

# FINDOOR

**TITLE:** BACKING REQUIREMENT DETAIL 3 PANELS

**SCALE:** N.T.S.

**DESIGNER:** OSCAR F.

**DATE:** OCT.2019

**REFERENCE:**

2.1