

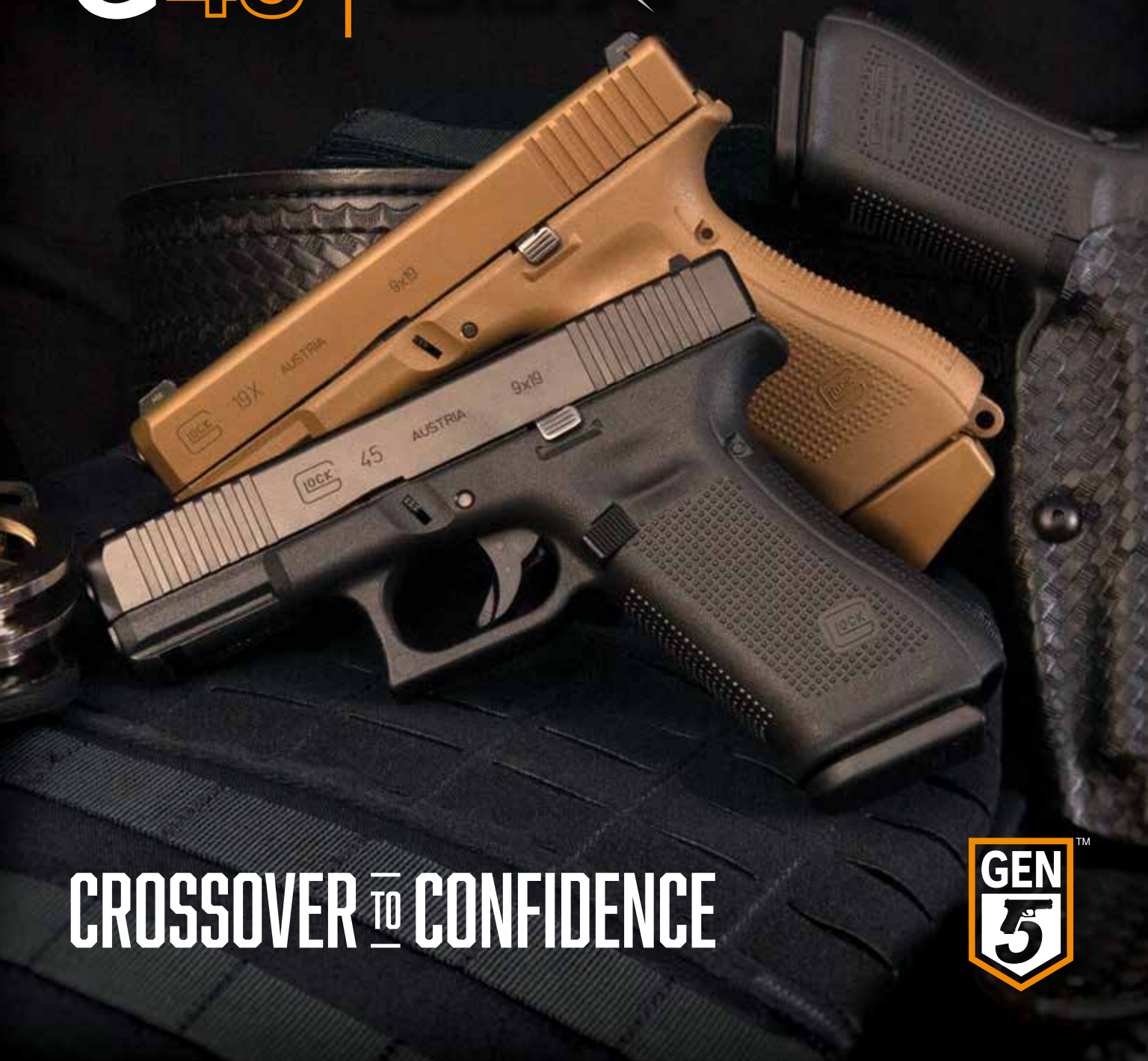
BUYER'S GUIDE FALL 2018



SAFE. SIMPLE. FAST. = CONFIDENCE.

www.glock.com

NEW
G45 | **G19X**



CROSSOVER TO CONFIDENCE



NEW

G45

The G45 is the latest outstanding addition to the family of GLOCK pistols. Utilizing the design and engineering GLOCK developed for its military pistols (19X), combined with Operator and worldwide Law Enforcement specifications, the G45 in 9x19 is a crossover design. The superb G45 combines the fast handling and cycling of a GLOCK 19 sized slide with the frame size of a Gen5 G17. Both upper and lower assemblies have received subtle enhancements which distinctly improve performance. The slide has the proven, superior GLOCK nDLC hardsurface finish in non-reflective black. There are precision-milled forward serrations, forward of the ejection port on both sides. The frame is a subdued black, with a flared magazine well which completely encircles the front of the grip. Fast reloads in critical situations can be performed with speed and efficiency. The G45 incorporates other elements of the Gen5 GLOCK pistols, including a smoother trigger pull, the enhanced frame texture for sure handling, a reversible mag catch, ambidextrous slide stop lever, the Modular Backstrap System (MBS) and the incredibly accurate, reliable *GLOCK Marksman Barrel (GMB). Simply put, GLOCK has the next level of performance for service pistols- tested, proven and unmatched by any others.



*The GLOCK Marksman Barrel (GMB) is an incredibly accurate, reliable match grade barrel with enhanced rifling.

NEW

NEW G17 & G19 Gen5 MOS

GLOCK enhances the desirability of the already near-perfect Gen5 models 17 & 19 with the addition of the Modular Optics System (MOS) to the full size and compact GLOCKS. These Gen5 models are precision machined to provide a mounting system for popular optic sights- a new paradigm in handgun sighting. With multiple adapter plates, you can quickly and easily mount miniature electronic sights to the rear of the Gen5 GLOCK slide, which has forward serrations for easier and quicker manipulations. The resulting combination of optical sighting and the unparalleled accuracy and reliability of the *GLOCK Marksman Barrel (GMB) set a new standard for this class of pistols.



All of the Gen5 qualities are present in these MOS pistols: The latest GLOCK nDLC surface finish on the major metal components, unmatched in hardness and rust resistance; the high traction Gen5 frame texture; quickly reversible mag catches; ambidextrous slide stop lever; the Modular Backstrap System (MBS), which makes it easy to change the grip size, the universally-acclaimed GLOCK Safe-Action® trigger system and high visibility orange magazine followers. When you utilize electronic sights, targets may be engaged quickly and efficiently from close contact to one hundred yards.

*The GLOCK Marksman Barrel (GMB) is an incredibly accurate, reliable match grade barrel with enhanced rifling.

CALIBER
9x19



G19X



G45

	G19X	G45 *New
ACTION/SYSTEM	Action: SAFE ACTION® (constant double-action mode)	
LENGTH (OVERALL)	7.44 in. / 189 mm	7.44 in. / 189 mm
HEIGHT (INCL. MAGAZINE)	5.47 in. / 139 mm	5.47 in. / 139 mm
WIDTH (OVERALL)	1.30 in. / 33 mm	1.34 in. / 34 mm
SIGHT RADIUS	5.94 in. / 151 mm	6.02 in. / 153 mm
BARREL LENGTH	4.02 in. / 102 mm	4.02 in. / 102 mm
BARREL RIFLING	Enhanced hexagonal profile with right-hand twist (GMB)	
LENGTH OF TWIST	9.84 in. / 250 mm	9.84 in. / 250 mm
MAG. CAPACITY STD. (RDS)	17 / 19	17
WEIGHT INCL. MAGAZINE	~24.83 oz. / ~704 g	~24.48 oz. / ~694 g
WEIGHT LOADED	~31.39 oz. / ~890 g	~30.34 oz. / ~860 g
TRIGGER PULL	~5.8 lbs. / ~26 N	~5.8 lbs. / ~26 N
TRIGGER TRAVEL	~0.49 in. / 12.5 mm	~0.49 in. / 12.5 mm
MSRP	\$749	\$699

CALIBER
9x19



	G34 Gen5 MOS	G17 Gen5 MOS *New	G17 Gen5	G19 Gen5 MOS *New	G19 Gen5	G26 Gen5
ACTION/SYSTEM	Action: SAFE ACTION® (constant double-action mode)					
LENGTH	8.74 in. / 222 mm	7.95 in. / 202 mm	7.95 in. / 202 mm	7.28 in. / 185 mm	7.28 in. / 185 mm	6.42 in. / 163 mm
HEIGHT	5.47 in. / 139 mm	5.47 in. / 139 mm	5.47 in. / 139 mm	5.04 in. / 128 mm	5.04 in. / 128 mm	4.17 in. / 106 mm
WIDTH	1.34 in. / 34 mm	1.34 in. / 34 mm	1.34 in. / 34 mm	1.34 in. / 34 mm	1.34 in. / 34 mm	1.30 in. / 33 mm
SIGHT RADIUS (POLYMER)	7.52 in. / 191 mm	6.65 in. / 169 mm	6.46 in. / 164 mm	6.18 in. / 157 mm	6.02 in. / 153 mm	5.39 in. / 137 mm
BARREL LENGTH	5.31 in. / 135 mm	4.49 in. / 114 mm	4.49 in. / 114 mm	4.02 in. / 102 mm	4.02 in. / 102 mm	4.34 in. / 110 mm
BARREL RIFLING	Enhanced hexagonal profile with right-hand twist (GMB)					
LENGTH OF TWIST	9.84 in. / 250 mm	9.84 in. / 250 mm	9.84 in. / 250 mm	9.84 in. / 250 mm	9.84 in. / 250 mm	9.84 in. / 250 mm
MAG. CAPACITY STD. (RDS)	17	17	17	15	15	10
WEIGHT INCL. MAGAZINE	~26.21 oz. / ~743 g	~24.87 oz. / ~705 g	~25.08 oz. / ~711 g	~23.63 oz. / ~675 g	~23.99 oz. / ~680 g	~21.69 oz. / ~615 g
WEIGHT LOADED	~34.57 oz. / ~980 g	~33.33 oz. / ~945 g	~32.14 oz. / ~911 g	~29.98 oz. / ~850 g	~31.81 oz. / ~880 g	~26.07 oz. / ~739 g
TRIGGER PULL	~5.4 lbs. / ~24 N	~5.8 lbs. / ~26 N	~5.8 lbs. / ~26 N	~5.8 lbs. / ~26 N	~5.8 lbs. / ~26 N	~5.8 lbs. / ~26 N
TRIGGER TRAVEL	~0.49 in. / ~12.5 mm	~0.49 in. / ~12.5 mm	~0.49 in. / 12.5 mm	~0.49 in. / ~12.5 mm	~0.49 in. / 12.5 mm	~0.49 in. / ~12.5 mm
MSRP	\$ 899	\$ 599	\$ 699	\$ 599	\$ 699	\$ 699

9x19

The 9x19 cartridge is the worldwide king of combat cartridges. Combining capable power with the ability to pack in a lot of rounds, the 9x19 is a winner. Add to that its low recoil and recent advancements in bullet technology for maximum performance, and it is the round to beat.

GLOCK's powerful and popular 9x19 group:

- The world's most popular combat cartridge.
- Combines high on-board ammo counts with impressive power.
- Ease of ammo compatibility with a back-up gun.
- Broad ammo availability no matter your location.



Straight 8 Photo

Straight 8 Photo



GLOCK 17

FULL-SIZE CLASSIC READY FOR DUTY

The classic Austrian military pistol that started it all for GLOCK, the GLOCK 17 delivers light weight, voluminous 17+1 firepower and unparalleled performance!



17+1 STANDARD

GLOCK 19

COMPACT POWERHOUSE READY TO DEFEND

Offering the best of all worlds, the GLOCK 19 combines compact size with an impressive 15+1 capacity. It is a 9x19 pistol that can serve equally well as a duty or a CCW gun.



15+1 COMPACT

GLOCK 43

SMALL DIMENSIONS, 9x19 POWER

The back-up gun choice of the Georgia State Patrol, the single-stack 9x19 GLOCK 43 provides serious CCW enthusiasts with a powerful yet concealable defender!



PERFECT SIZE FOR ANKLE HOLSTER

6+1 SUBCOMPACT

Technical specs may be altered without notice

CALIBER 9x19



	G34 Gen4 MOS	G34 Gen4 G34 (CA Only)	G17 Gen4 MOS	G17 Gen4 G17 (CA Only)	G19 Gen4 MOS G19 (CA Only)	G19 Gen4 G19 (CA Only)
--	--------------	------------------------	--------------	------------------------	----------------------------	------------------------

ACTION/SYSTEM	Action: SAFE ACTION® (constant double-action mode)					
LENGTH	8.74 in. / 222 mm	8.74 in. / 222 mm 8.82 in. / 224 mm	7.95 in. / 202 mm	7.95 in. / 202 mm 8.03 in. / 204 mm	7.28 in. / 185 mm	7.28 in. / 185 mm 7.36 in. / 187 mm
HEIGHT	5.47 in. / 139 mm	5.47 in. / 139 mm	5.47 in. / 139 mm	5.47 in. / 139 mm	5.04 in. / 128 mm	5.04 in. / 128 mm
WIDTH	1.30 in. / 33 mm	1.30 in. / 33 mm	1.26 in. / 32 mm	1.26 in. / 32 mm	1.26 in. / 32 mm	1.26 in. / 32 mm
SIGHT RADIUS (POLYMER)	7.52 in. / 191 mm	7.56 in. / 192 mm	6.69 in. / 170 mm	6.50 in. / 165 mm	6.22 in. / 158 mm	6.02 in. / 153 mm
BARREL LENGTH	5.31 in. / 135 mm	5.31 in. / 135 mm	4.49 in. / 114 mm	4.49 in. / 114 mm	4.02 in. / 102 mm	4.02 in. / 102 mm
BARREL RIFLING	Hexagonal profile with right-hand twist					
LENGTH OF TWIST	9.84 in. / 250 mm	9.84 in. / 250 mm	9.84 in. / 250 mm	9.84 in. / 250 mm	9.84 in. / 250 mm	9.84 in. / 250 mm
MAG. CAPACITY STD. (RDS)	17	17	17	17	15	15
WEIGHT INCL. MAGAZINE	~26.10 oz. / ~740 g	~25.93 oz. / ~735 g	~24.87 oz. / ~705 g	~24.87 oz. / ~705 g	~23.63 oz. / ~670 g	~23.63 oz. / ~670 g
WEIGHT LOADED	~33.51 oz. / ~950 g	~33.16 oz. / ~940 g ~33.33 oz. / ~945 g	~32.28 oz. / ~915 g	~32.28 oz. / ~915 g	~30.16 oz. / ~855 g	~30.16 oz. / ~855 g
TRIGGER PULL	~5.5 lbs. / ~24 N	~4.5 lbs. / ~24 N	~5.5 lbs. / ~28 N	~5.5 lbs. / ~28 N	~5.5 lbs. / ~28 N	~5.5 lbs. / ~28 N
TRIGGER TRAVEL	~.49 in. / ~12.5 mm	~.49 in. / ~12.5 mm	~.49 in. / ~12.5 mm	~.49 in. / ~12.5 mm	~.49 in. / ~12.5 mm	~.49 in. / ~12.5 mm
MSRP	\$ 840	\$ 679	\$ 750	\$ 599	\$ 750	\$ 599

Technical specs may be altered without notice
*Optics not included on MOS models

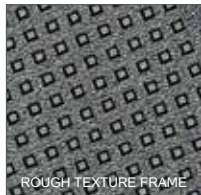


Photo Courtesy GLOCK

G26 Gen5

CALIBER
9x19



	G43	G26 Gen4 G26
ACTION/SYSTEM	Action: SAFE ACTION® (constant double-action mode)	
LENGTH	6.26 in. / 159 mm	6.42 in. / 163 mm 6.50 in. / 165 mm
HEIGHT	4.25 in. / 108 mm	4.17 in. / 106 mm
WIDTH	1.06 in. / 27 mm	1.26 in. / 32 mm
SIGHT RADIUS (POLYMER)	5.24 in. / 133 mm	5.39 in. / 137 mm
BARREL LENGTH	3.41 in. / 86.5 mm	3.43 in. / 87 mm
BARREL RIFLING	Hexagonal profile with right-hand twist	
LENGTH OF TWIST	9.84 in. / 250 mm	9.84 in. / 250 mm
MAG. CAPACITY STD. (RDS)	6	10
WEIGHT INCL. MAGAZINE	~17.99 oz. / ~510 g	~21.52 oz. / ~610 g
WEIGHT LOADED	~20.64 oz. / ~585 g	~25.75 oz. / ~730 g
TRIGGER PULL	~5.5 lbs. / ~24 N	~5.5 lbs. / ~28 N
TRIGGER TRAVEL	~.49 in. / ~12.5 mm	~.49 in. / ~12.5 mm
MSRP	\$ 580	\$ 599



Straight 8 Photo



.380 AUTO

The .380 AUTO round has seen a renaissance of popularity in recent years and is viewed by many as the ultimate pocket pistol cartridge. Combining minute dimensions with effective self-defense performance, the .380 AUTO gives you the CCW power you need.

GLOCK's pint-sized .380 powerhouse pistols group:

- Maximum stopping power in a compact package.
- Broad range of capable loadings available.
- More than a century of real-world use.
- Manageable recoil, yet capable power.



G42

6+1 COMPACT

SMALL SIZE, MAXIMUM POWER

The biggest splash can be made by the smallest object, and the GLOCK 42 in .380 AUTO is no exception. GLOCK perfection in pocket-sized dimensions, this pistol is the ultimate companion!

G25

[Restricted to LE Sales]

COMPACT LE POWERHOUSE

With its double stacked magazine packing 15 rounds of .380 AUTO firepower, the GLOCK 25 offers law enforcement officers a lot of punch in a very portable package.



15+1 COMPACT

CALIBER
.380



	G42	G25
ACTION/SYSTEM	Action: SAFE ACTION® (constant double-action mode)	
LENGTH	5.94 in. / 151 mm	7.36 in. / 187 mm
HEIGHT	4.13 in. / 105 mm	5.04 in. / 128 mm
WIDTH	.98 in. / 25 mm	1.26 in. / 32 mm
SIGHT RADIUS (POLYMER)	4.92 in. / 125 mm	6.02 in. / 153 mm
BARREL LENGTH	3.25 in. / 82.5 mm	4.02 in. / 102 mm
BARREL RIFLING	Hexagonal profile with right-hand twist	
LENGTH OF TWIST	9.84 in. / 250 mm	9.84 in. / 250 mm
MAG. CAPACITY STD. (RDS)	6	15
WEIGHT INCL. MAGAZINE	~13.76 oz. / ~390 g	~22.75 oz. / ~645 g
WEIGHT LOADED	~15.87 oz. / ~450 g	~27.69 oz. / ~785 g
TRIGGER PULL	~5.5 lbs. / ~24 N	~5.5 lbs. / ~28 N
TRIGGER TRAVEL	~0.49 in. / ~12.5 mm	~0.49 in. / ~12.5 mm
MSRP	\$ 480	\$ LE ONLY

Technical specs may be altered without notice



.40

The .40 has a proven track record as the pre-eminent law enforcement cartridge in the United States. Developed as a result of a federal law enforcement request, the .40 bridges the performance gap between the 9x19 and the .45 AUTO.



Straight 8 Photo

GLOCK's trend-setting .40 group:

- Large-caliber firepower in a medium-sized frame.
- Controllable recoil despite impressive power.
- Decades of street-proven performance.
- For those who want controllable big-bore power.



GLOCK 35

FULL-SIZE, AT THE NEXT LEVEL

For those who want to ensure they get the absolute most out of their long slide, then the GLOCK 35 is the logical choice. *Shown on right is the GLOCK 35 Gen4 MOS.

15+1 STANDARD



GLOCK 23

COMPACT & CAPABLE ENFORCER

Combining compact dimensions with the powerful .40 cartridge, the capable GLOCK 23 offers both civilians and law enforcement officers the ultimate defensive carry gun!

13+1 COMPACT

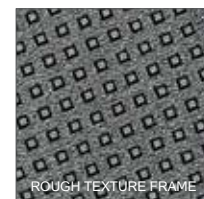


GLOCK 27

SMALL PACKAGE, AMAZING POWER

The GLOCK 27 delivers .40-caliber backup power in a subcompact package. The ultra-compact 9+1 G27 is ready to deliver when you need it!

9+1 SUBCOMPACT



ROUGH TEXTURE FRAME



INCL. 4 BACK STRAPS



REVERSIBLE MAGAZINE CATCH



G22 Gen4

CALIBER .40



	G35 Gen4 MOS	G35 Gen4 G35 (CA Only)	G22 Gen4 G22 (CA Only)	G23 Gen4 G23 (CA Only)	G27 Gen4 G27
--	--------------	------------------------	------------------------	------------------------	--------------

	Action: SAFE ACTION® (constant double-action mode)				
ACTION/SYSTEM	Action: SAFE ACTION® (constant double-action mode)				
LENGTH	8.74 in. / 222 mm	8.74 in. / 222 mm 8.82 in. / 224 mm	7.95 in. / 202 mm 8.03 in. / 204 mm	7.28 in. / 185 mm 7.36 in. / 187 mm	6.42 in. / 163 mm 6.50 in. / 165 mm
HEIGHT	5.47 in. / 139 mm	5.47 in. / 139 mm	5.47 in. / 139 mm	5.04 in. / 128 mm	4.17 in. / 106 mm
WIDTH	1.30 in. / 33 mm	1.30 in. / 33 mm	1.26 in. / 32 mm	1.26 in. / 32 mm	1.26 in. / 32 mm
SIGHT RADIUS (POLYMER)	7.52 in. / 191 mm	7.56 in. / 192 mm	6.50 in. / 165 mm	6.02 in. / 153 mm	5.39 in. / 137 mm
BARREL LENGTH	5.31 in. / 135 mm	5.31 in. / 135 mm	4.49 in. / 114 mm	4.02 in. / 102 mm	3.43 in. / 87 mm
BARREL RIFLING	Hexagonal profile with right-hand twist				
LENGTH OF TWIST	9.84 in. / 250 mm	9.84 in. / 250 mm	9.84 in. / 250 mm	9.84 in. / 250 mm	9.84 in. / 250 mm
MAG. CAPACITY STD. (RDS)	15	15	15	13	9
WEIGHT INCL. MAGAZINE	~27.69 oz. / ~785 g	~27.69 oz. / ~785 g ~27.51 oz. / ~780 g	~25.57 oz. / ~725 g	~23.81 oz. / ~675 g ~23.63 oz. / ~670 g	~21.34 oz. / ~605 g
WEIGHT LOADED	~36.33 oz. / ~1030 g	~36.51 oz. / ~1035 g ~36.33 oz. / ~1030 g	~34.39 oz. / ~975 g	~31.39 oz. / ~890 g ~31.22 oz. / ~885 g	~26.46 oz. / ~750 g
TRIGGER PULL	~5.5 lbs. / ~24 N	~5.5 lbs. / ~24 N	~5.5 lbs. / ~28 N	~5.5 lbs. / ~28 N	~5.5 lbs. / ~28 N
TRIGGER TRAVEL	~.49 in. / ~12.5 mm	~.49 in. / ~12.5 mm	~.49 in. / ~12.5 mm	~.49 in. / ~12.5 mm	~.49 in. / ~12.5 mm
MSRP	\$ 840	\$ 679	\$ 599	\$ 599	\$ 599

Technical specs may be altered without notice
*Optics not included on MOS models

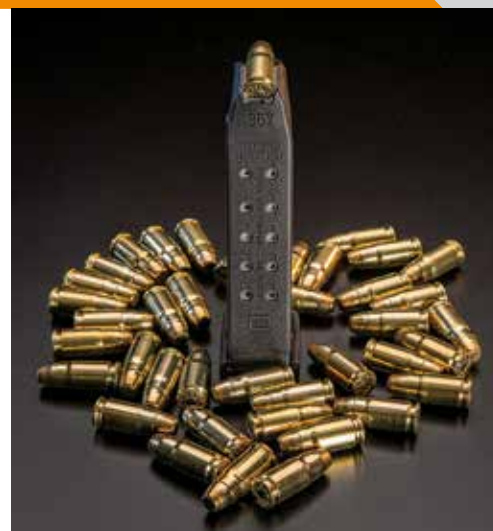


.357

Based on the .40 cartridge case and necked down to accept a .357-caliber projectile, this round delivers a range of power comparable to the revered .357 Magnum revolver cartridge, but for a semi-automatic pistol. If you need maximum power and performance, choose the .357.

The ultimate performers—GLOCK's .357 group:

- Bottleneck design ensures reliable feeding.
- Magnum revolver power in a semi-auto package.
- Amazing ballistics and on-target performance.
- High-velocity delivers fight-stopping power.



Straight 8 Photo

GLOCK 31

FULL-SIZED POWER & PERFORMANCE

If you want a cutting-edge cartridge, then look no further than the .357 cartridge in the GLOCK 31. They offer an unbeatable combination of power and performance!

15+1 STANDARD



GLOCK 32

COMPACT YET CAPABLE EDC

The GLOCK 32 in .357 gives you all the advantages of a compact-sized pistol with the amazing performance of this outstanding bottlenecked cartridge!

13+1 COMPACT

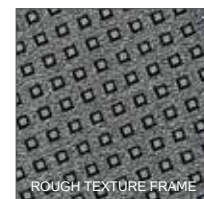


GLOCK 33

SMALL IN SIZE, NOT PERFORMANCE

Think you can't have it all? Then consider the GLOCK 33, which combines the amazing performance of the .357 round with subcompact dimensions for the ultimate back-up pistol!

9+1 SUBCOMPACT



G31 Gen4

CALIBER .357



	G31 Gen4 G31 (CA Only)	G32 Gen4 G32 (CA Only)	G33 Gen4 G33 (CA Only)
ACTION/SYSTEM	Action: SAFE ACTION® (constant double-action mode)		
LENGTH	7.95 in. / 202 mm 8.03 in. / 204 mm	7.28 in. / 185 mm 7.36 in. / 187 mm	6.42 in. / 163 mm 6.50 in. / 165 mm
HEIGHT	5.47 in. / 139 mm	5.04 in. / 128 mm	4.21 in. / 107 mm
WIDTH	1.26 in. / 32 mm	1.26 in. / 32 mm	1.26 in. / 32 mm
SIGHT RADIUS (POLYMER)	6.50 in. / 165 mm	6.02 in. / 153 mm	5.39 in. / 137 mm
BARREL LENGTH	4.49 in. / 114 mm	4.02 in. / 102 mm	3.43 in. / 87 mm
BARREL RIFLING	Hexagonal profile with right-hand twist		
LENGTH OF TWIST	9.84 in. / 250 mm	9.84 in. / 250 mm	9.84 in. / 250 mm
MAG. CAPACITY STD. (RDS)	15	13	9
WEIGHT INCL. MAGAZINE	~26.10 oz. / ~740 g	~24.34 oz. / ~690 g	~21.87 oz. / ~620 g
WEIGHT LOADED	~33.16 oz. / ~940 g	~30.34 oz. / ~860 g	~25.93 oz. / ~735 g
TRIGGER PULL	~5.5 lbs. / ~28 N	~5.5 lbs. / ~28 N	~5.5 lbs. / ~28 N
TRIGGER TRAVEL	~.49 in. / ~12.5 mm	~.49 in. / ~12.5 mm	~.50 in. / ~12.5 mm
MSRP	\$ 599	\$ 599	\$ 599

Technical specs may be altered without notice



Photo Courtesy: Civilian Marksmanship Program





10mm AUTO

Proving that a semi-automatic pistol does not have to give up power when compared to magnum revolvers, the 10mm AUTO cartridge is comparable to the .41 Magnum round and equally capable as either a hunting or a self-defense cartridge.

GLOCK's unstoppable 10mm AUTO group:

- Magnum performance in semi-auto form.
- Capable hunting or self-defense round.
- Impressive capacity, amazing performance!
- Packs in long-range striking power.



Straight 8 Photo

GLOCK 40 Gen4 MOS

FULL POWER IN THE PERFECT PACKAGE

This GLOCK is the pinnacle of 10mm AUTO pistol design. It sports a 6.02-inch barrel that practically guarantees the 15 powerful 10mm AUTO rounds in the standard-capacity magazine will be delivered with precision and speed.

15+1 STANDARD



GLOCK 20

FULL SIZE, UNBEATABLE POWER

Packing in 15+1 rounds of the amazing 10mm AUTO cartridge, the powerhouse GLOCK 20 can serve equally as well on the streets as it can in the hunting fields!

15+1 STANDARD



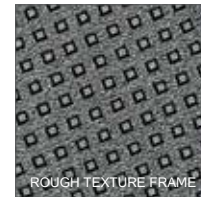
PERFECT SIZE FOR ANKLE HOLSTER

GLOCK 29

SMALL, BUT UNSTOPPABLE

Want the massive power of the 10mm AUTO cartridge in a micro-sized package? Then take a look at the GLOCK 29, a subcompact that packs 10+1 rounds of 10mm AUTO.

10+1 SUBCOMPACT



G40 Gen4 MOS

CALIBER
10mm AUTO



	G40 Gen4 MOS	G20 Gen4 G20 SF (CA)	G29 Gen4 G29 SF (CA)
--	--------------	----------------------	----------------------

ACTION/SYSTEM	Action: SAFE ACTION® (constant double-action mode)		
LENGTH	9.49 in. / 241 mm	8.07 in. / 205 mm	6.97 in. / 177 mm
HEIGHT	5.47 in. / 139 mm	5.51 in. / 140 mm	4.53 in. / 115 mm
WIDTH	1.34 in. / 34 mm	1.34 in. / 34 mm	1.38 in. / 35 mm
SIGHT RADIUS (POLYMER)	8.31 in. / 211 mm	6.77 in. / 172 mm	5.91 in. / 150 mm
BARREL LENGTH	6.02 in. / 153 mm	4.61 in. / 117 mm	3.78 in. / 96 mm
BARREL RIFLING	Hexagonal profile with right-hand twist		
LENGTH OF TWIST	9.84 in. / 250 mm	9.84 in. / 250 mm	9.84 in. / 250 mm
MAG. CAPACITY STD. (RDS)	15	15	10
WEIGHT INCL. MAGAZINE	~35.45 oz. / ~1005 g	~30.69 oz. / ~870 g ~30.51 oz. / ~865 g	~26.81 oz. / ~760 g
WEIGHT LOADED	~44.62 oz. / ~1265 g	~39.86 oz. / ~1130 g ~39.68 oz. / ~1125 g	~32.63 oz. / ~925 g ~32.80 oz. / ~930 g
TRIGGER PULL	~4.5 lbs. / ~24 N	~5.5 lbs. / ~28 N	~5.5 lbs. / ~28 N
TRIGGER TRAVEL	~.49 in. / ~12.5 mm	~.49 in. / ~12.5 mm	~.49 in. / ~12.5 mm
MSRP	\$ 840	\$ 687 G20 Gen4 \$ 637 G20 SF	\$ 687 G29 Gen4 \$ 637 G29 SF

Technical specs may be altered without notice
*Optics not included on MOS models





.45 AUTO

The .45 AUTO offers big-bore power in a round that can be found on the shelves of any gun store in the United States. The .45 AUTO is the top choice for serious self-defense enthusiasts.

GLOCK's big-bore .45 AUTO group:

- A classic American big-bore cartridge.
- Battle-proven history spanning more than a century.
- Amazing stopping power and manageable recoil.
- Broad selection of loads available.



Straight 8 Photo

GLOCK 41

FULL POWER IN AN EXTRA-LONG SITE PACKAGE

Born to give you the upper hand in shooting competitions, the GLOCK 41 Gen4 features a long, slim slide providing users an extra-long sight radius, which translates to greater precision downrange.



PERFECT PACKAGE FOR COMPETITION

13+1 STANDARD

GLOCK 21

FULL-SIZE, BIG-BORE WARRIOR

For many, nothing less than the .45 AUTO cartridge will do. For them, GLOCK developed the G21 pistol that packs in 13+1 rounds of this enduringly popular big-bore round.



13+1 STANDARD

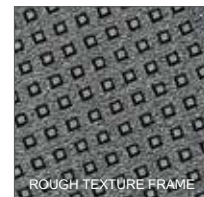
GLOCK 36

SMALL ON SIZE, BIG ON POWER

The GLOCK 36 features a single-column magazine with a 6-round capacity and is only 1.13 inches wide. This one just screams back-up or CCW duty!



6+1 COMPACT



G41 Gen4

CALIBER
.45 AUTO



	G41 Gen4 MOS	G41 Gen4	G21 Gen4 G21 SF (CA)	G30 Gen4 G30 SF (CA)	G30S	G36
--	--------------	----------	----------------------	----------------------	------	-----

ACTION/SYSTEM	Action: SAFE ACTION® (constant double-action mode)					
LENGTH	8.78 in. / 223 mm	8.78 in. / 223 mm	8.07 in. / 205 mm	6.97 in. / 177 mm	6.97 in. / 177 mm	6.97 in. / 177 mm
HEIGHT	5.47 in. / 139 mm	5.47 in. / 139 mm	5.51 in. / 140 mm	4.80 in. / 122 mm	4.80 in. / 122 mm	4.72 in. / 120 mm
WIDTH	1.34 in. / 34 mm	1.34 in. / 34 mm	1.34 in. / 34 mm	1.38 in. / 35 mm	1.38 in. / 35 mm	1.18 in. / 30 mm
SIGHT RADIUS (POLYMER)	7.64 in. / 194 mm	7.68 in. / 195 mm	6.77 in. / 172 mm	5.91 in. / 150 mm	5.91 in. / 150 mm	5.91 in. / 150 mm
BARREL LENGTH	5.31 in. / 135 mm	5.31 in. / 135 mm	4.61 in. / 117 mm	3.78 in. / 96 mm	3.78 in. / 96 mm	3.78 in. / 96 mm
BARREL RIFLING	Octagonal profile with right-hand twist					
LENGTH OF TWIST	15.75 in. / 400 mm	15.75 in. / 400 mm	15.74 in. / 400 mm	15.75 in. / 400 mm	15.75 in. / 400 mm	15.75 in. / 400 mm
MAG. CAPACITY STD. (RDS)	13	13	13	10	10	6
WEIGHT INCL. MAGAZINE	~26.63 oz. / ~755 g	~26.81 oz. / ~760 g	~29.28 oz. / ~830 g ~29.10 oz. / ~825 g	~26.28 oz. / ~745 g	~22.75 oz. / ~645 g	~22.40 oz. / ~635 g
WEIGHT LOADED	~36.16 oz. / ~1025 g	~36.51 oz. / ~1035 g	~38.80 oz. / ~1100 g	~33.69 oz. / ~955 g	~30.16 oz. / ~855 g	~26.81 oz. / ~760 g
TRIGGER PULL	~5.5 lbs. / ~24 N	~5.5 lbs. / ~24 N	~5.5 lbs. / ~28 N	~5.5 lbs. / ~28 N	~5.5 lbs. / ~28 N	~5.5 lbs. / ~28 N
TRIGGER TRAVEL	~0.49 in. / ~12.5 mm	~0.49 in. / ~12.5 mm	~0.49 in. / ~12.5 mm	~0.49 in. / ~12.5 mm	~0.49 in. / ~12.5 mm	~0.49 in. / ~12.5 mm
MSRP	\$ 840	\$ 729	\$ 687 G21 Gen4 \$ 637 G21 SF	\$ 687 G30 Gen4 \$ 637 G30 SF	\$ 637	\$ 637

Technical specs may be altered without notice
*Optics not included on MOS models



.45 G.A.P.

The .45 G.A.P. (GLOCK Automatic Pistol) round has a shorter case length than the classic .45 AUTO. The result is a round that can go toe-to-toe with the classic .45 AUTO, yet fit inside a pistol sized for the 9x19.

GLOCK's amazing .45 G.A.P. group:

- Big-bore round that can fit in a 9x19-sized pistol.
- Compact dimensions, big-bore power.
- Controllable recoil, yet voluminous force!
- Fight-stopping power in a portable package.



Photo Courtesy GLOCK

GLOCK 37

FULL-SIZE PERFORMANCE & PUNCH

Want big bore power in an easy-to-handle pistol? Then consider the GLOCK 37 in .45 G.A.P., a cartridge that combines amazing on-target power with a manageably sized grip.



10+1 STANDARD

GLOCK 38

COMPACT SIZE WITH .45 PUNCH

Want a compact pistol with big-bore punch? Then look no further than the GLOCK 38, chambered in the innovative .45 G.A.P. cartridge that delivers fight-stopping power!



8+1 COMPACT

GLOCK 39

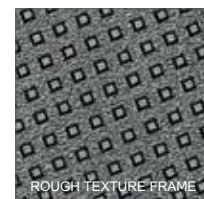
SMALL SIZE, BIG-BORE POWER

Want to pack in the most power into the smallest package possible? Then consider the GLOCK 39, a subcompact powerhouse chambered for the amazing .45 G.A.P. big-bore cartridge!



PERFECT SIZE FOR ANKLE HOLSTER

6+1 SUBCOMPACT



ROUGH TEXTURE FRAME



INCL. 4 BACK STRAPS



REVERSIBLE MAGAZINE CATCH

G37 Gen4



CALIBER
.45 G.A.P.



	G37 Gen4 G37	G38	G39
--	-----------------	-----	-----

ACTION/SYSTEM	Action: SAFE ACTION® (constant double-action mode)		
LENGTH	7.95 in. / 202 mm 8.03 in. / 204 mm	7.36 in. / 187 mm	6.50 in. / 165 mm
HEIGHT	5.47 in. / 139 mm	5.04 in. / 128 mm	4.17 in. / 106 mm
WIDTH	1.30 in. / 33 mm	1.30 in. / 33 mm	1.30 in. / 33 mm
SIGHT RADIUS (POLYMER)	6.50 in. / 165 mm	6.02 in. / 153 mm	5.39 in. / 137 mm
BARREL LENGTH	4.49 in. / 114 mm	4.02 in. / 102 mm	3.43 in. / 87 mm
BARREL RIFLING	Octagonal profile with right-hand twist		
LENGTH OF TWIST	15.75 in. / 400 mm	15.75 in. / 400 mm	15.75 in. / 400 mm
MAG. CAPACITY STD. (RDS)	10	8	6
WEIGHT INCL. MAGAZINE	~28.75 oz. / ~815 g	~26.63 oz. / ~755 g	~24.16 oz. / ~685 g
WEIGHT LOADED	~35.27 oz. / ~1000 g	~31.75 oz. / ~900 g	~27.87 oz. / ~790 g
TRIGGER PULL	~5.5 lbs. / ~28 N	~5.5 lbs. / ~28 N	~5.5 lbs. / ~28 N
TRIGGER TRAVEL	~.49 in. / ~12.5 mm	~.49 in. / ~12.5 mm	~.49 in. / ~12.5 mm
MSRP	\$ 664 G37 Gen4 \$ 614 G37	\$ 614	\$ 614



Straight 8 Photo



Photo Courtesy GunnyTime

GLOCK DUMMY ROUNDS

GLOCK Dummy Rounds have the same shape and dimensions as live ammunition in the 9x19, .40 and .45 AUTO chamberings but are totally inert and safe. Produced out of polyamide polymer, GLOCK Dummy Rounds live up to GLOCK quality standards, which ensures resistance to abrasion, long service life and superior performance. The GLOCK Dummy Rounds are the safe choice made by police, military and civilians for training purposes.



SPORT/DUTY HOLSTER

The tough basic model, with both left- and right-hand versions, secures the entire pistol safely with a thumb-break retention strap. Available in 1.34 in. (34 mm) and 1.77 in. (45 mm) belt widths.



MAGAZINE POUCH

This ambidextrous pouch will accommodate belt widths from 1.25 in. (31.8 mm) to 2.48 in. (63 mm). The pouch has an integral detent, which provides retention without the need for straps or flaps. Available for all magazines, excluding the GLOCK 36 and the GLOCK 42.



SPORT/COMBAT HOLSTER

A super-lightweight, ambidextrous holster that's popular for off-duty or plainclothes use. It conceals GLOCK pistols beneath a coat or jacket. A special triggerguard retention device secures the pistol in the holster. The holster will accommodate belt widths from 1.25 in. (31.8 mm) to 2.48 in. (63 mm).



FULLY ADJUSTABLE REAR SIGHT

Equipped with clear contrast inserts, enabling simple, accurate and quick target alignment, the GLOCK Adjustable Rear Sight has a low profile, point of impact positioning that is adjustable in elevation and windage. Supplied with adjustment tool.



1



1. FIXED REAR SIGHTS

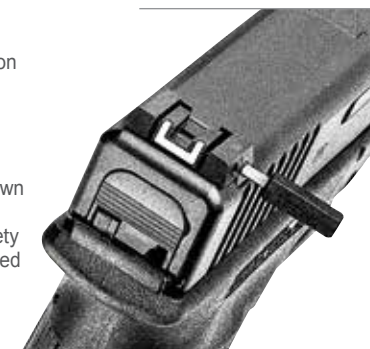
These sights are available to compensate for various types of ammunition in the following heights: 6.1mm, 6.5mm, 6.9mm and 7.3mm.

2



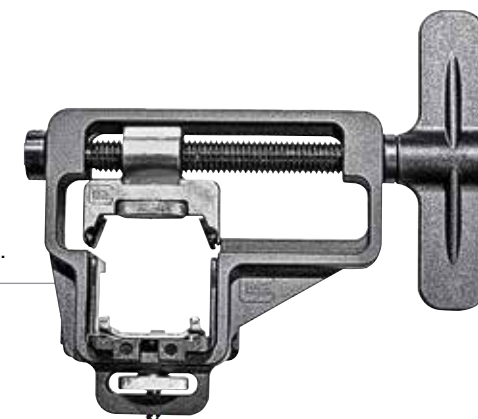
2. STEEL SIGHTS

GLOCK offers durable fixed steel sights as an alternative to the well-known standard synthetic fixed sights. The new steel sight option, configured identically to the standard synthetic insertions, will be available in a variety of rear sight heights: 6.1mm, 6.5mm, 6.9mm, 7.3mm and can be adjusted or installed using the current GLOCK sight adjustment tool.



REAR SIGHT ADJUSTABLE TOOL

A versatile, easy-to-use adjustment and installation device for GLOCK rear sights.



FIXED NIGHT SIGHT

Tritium contrast points: in color, illuminated at night, white in daylight.



FRONT SIGHT MOUNTING TOOL

For installing the GLOCK screw-on front sight (all versions), simply screw the front sight onto the slide of the autopistol. By turning the screw, the front sight is easily installed and locked in place.

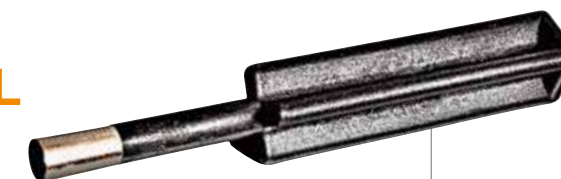
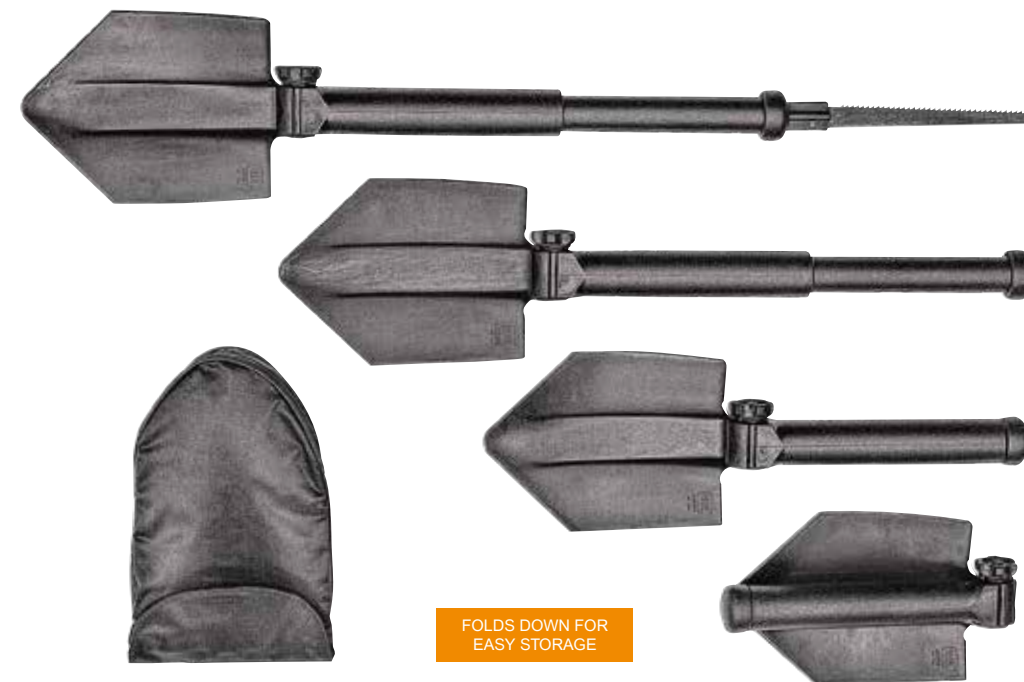




Photo Courtesy: GLOCK

ENTRENCHING TOOL

A must have for any outdoor enthusiast; this innovative entrenching tool has a surface-treated blade that can be locked in three positions for multiple uses. The hardened saw located inside the handle can be quickly mounted if required. When folded, the GLOCK e-tool can be easily stored in any backpack or vehicle. Comes with a durable nylon pouch that can be simply attached to a belt or backpack. **MSRP \$50**



FOLDS DOWN FOR EASY STORAGE

KNIVES

The GLOCK Survival Knife is made of a special hardened steel with polymer handles and black, anti-corrosive-coated blades for maximum durability and ruggedness. Knives come with matching sheaths made of high-impact-resistant polymer material and feature a loop catch that allows for quick drawing with only one hand. They fit belts up to 2.4 inches (60mm) in width. **MSRP \$32**

SURVIVAL KNIFE MODEL 81

Survival knife with saw.

- AVAILABLE IN:
- Black
 - Sniper Grey
 - Flat Dark Earth
 - Battlefield Green



Straight 8 Photo





SAFE ACTION® TACTICAL LIGHT

Equipped with the ultimate electronic features at a minimal weight, the GLOCK Tactical Light is designed specifically for duty use under extreme circumstances. The rugged GLOCK polymer casing holds Xenon®-technology electronics packing high luminous power available at the touch of the ergonomically placed "Soft Switch."



Tactical Light hard storage case made of high-impact-resistant polymer included with all Tactical Light purchases.

All sets sold in the U.S. include these items in the case:

- (2) Lithium batteries
- (1) Replacement bulb
- (1) Owner's manual

GTL 22 INCLUDES
DIMMER SWITCH AND ADJUSTMENT TOOL



Straight 8 Photo

SAFE ACTION® TACTICAL LIGHT W/ LASER

Now the GLOCK Tactical Light has a visible red laser placed efficiently within its compact housing. Able to function independently or in concert with the high-intensity Xenon® white light at the touch of a centrally placed mode switch, the red laser/light module is easily yet securely mounted to GLOCK pistols with the rail-mount system. The laser can be zeroed with pinpoint accuracy and is designed specifically for "duty-use" conditions. Both the white light and laser respond to the ergonomically designed switch. Ideal for military, law enforcement and self-defense situations.



G19

Gen5



G17

Gen5

GEN5 NOW AVAILABLE IN MOS CONFIGURATION

The G19 Gen5, G17 Gen5 and G34 Gen5 are available now in MOS configuration and feature front serrations on the slide. **GLOCK** Gen5 enhancements include improved accuracy, durability, performance, control, and flexibility whether you are on the range or in a situation where fractions of a second matter. Contact your local **GLOCK** dealer today.

+ Learn more at gen5.glock.us





ARMED WITH CONFIDENCE.

The G19 Gen5, G17 Gen5 and G34 Gen5 are available now in MOS configuration and feature front serrations on the slide. **GLOCK** Gen5 enhancements include improved accuracy, durability, performance, control, and flexibility whether you are on the range or in a situation where fractions of a second matter. Contact your local **GLOCK** dealer today.

+ Learn more at gen5.glock.us



PERFECTION

© 2018 GLOCK, Inc.