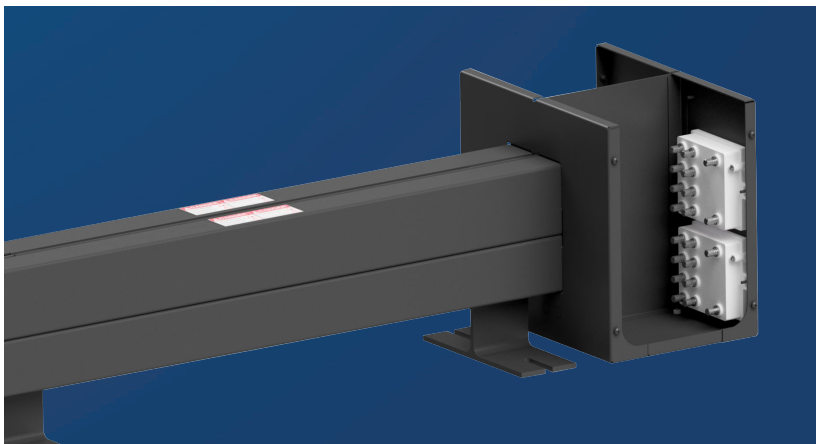


STARLINE
PLUG-IN RACEWAY

Fitness Product Catalog



INTRODUCTION

Additional Features

- Finger-proof design allows users to add or relocate plug-in modules anywhere on the raceway at anytime – without turning off power
- Plug-in modules are available in single phase and three phase
- Designed and tested to meet NEC, CSA, and UL standards and carries the ETL mark
- Re-locatable and scalable
- Standard colors are metallic silver, black, yellow, and white. Custom colors also available.
- Power Only Lengths available in 2.5, 5 and 10 ft (1, 2, and 3 m)
- PIRFIT Lengths available in 2.5, 5 and 10 ft (1, 2, and 3 m)
- Optional isolated ground
- Manufactured in the USA

Speed Up and Cost Out Your Power and Network Installs

The next generation in raceway systems is Starline Plug-In Raceway from Universal Electric Corporation (UEC) that was created to meet the ever changing power distribution and datacom needs of fitness facilities.

This innovative design offers a flexibility that no other product on the market offers – the ability to add or relocate plug-in modules anywhere on the raceway quickly and easily without running additional wire or cables. Starline Plug-In Raceway not only offers flexibility, additional benefits are:

- **Innovative modular design**
- **Eliminates 90% of home runs resulting in 30-45% savings**
- **Adapts easily for future technology**

This Product Catalog was developed to help the design engineer understand and consider all of the options available with Starline Plug-In Raceway when designing a system.

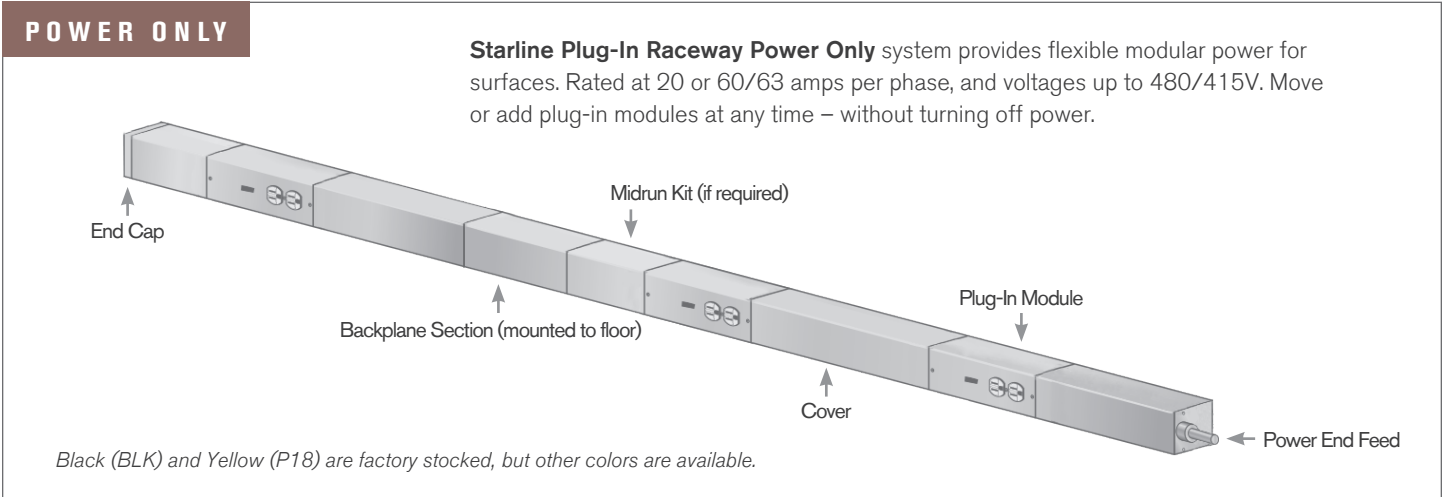
This catalog includes many of the available options; however, UEC excels at collaborating with design engineers to provide solutions for any application. If you have a need that is not found in this guide, please contact us at **1-800-245-6378** or email us at **info@uecorp.com**. We will be happy to answer your questions over the telephone or schedule a visit with one of our local representatives.

Also, if viewing this guide in print, please keep in mind that this is a working document. UEC reserves the right to change information and descriptions of listed services and products. The latest version of this guide is available for download at:

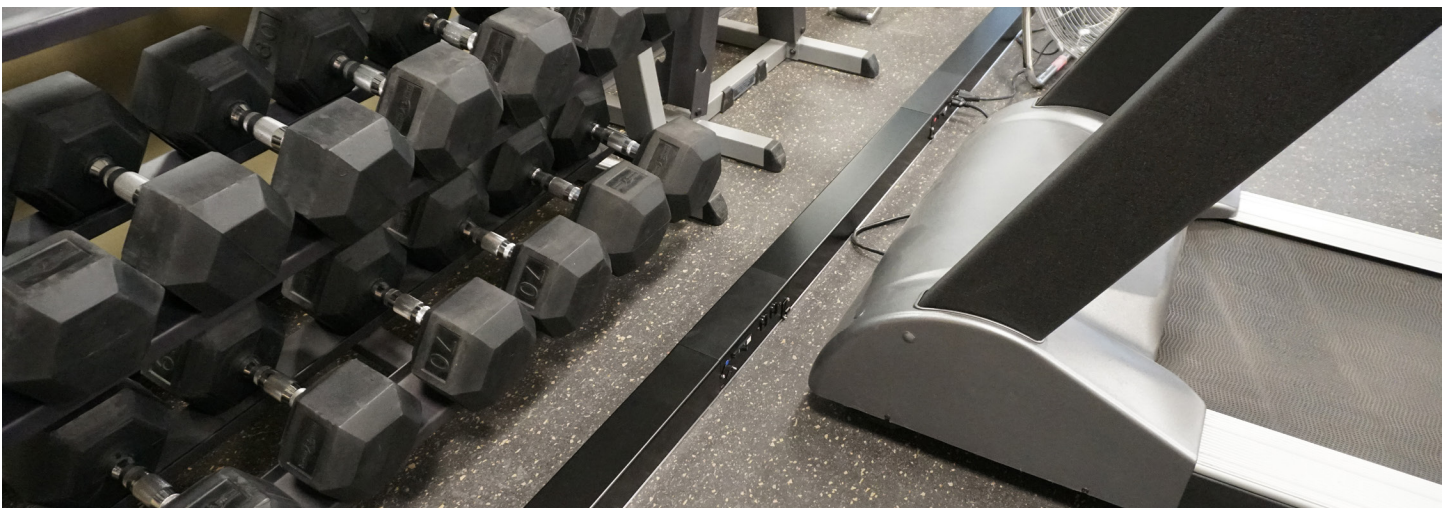
<http://downloads.uecorp.com/starline/raceway>.

Our goal is to provide you with Flexible Power Solutions – no matter what your design strategy may be. We welcome any comments regarding additional material that you feel should be included to help gain a more comprehensive understanding of Starline Plug-In Raceway. Please direct comments to **info@uecorp.com**.

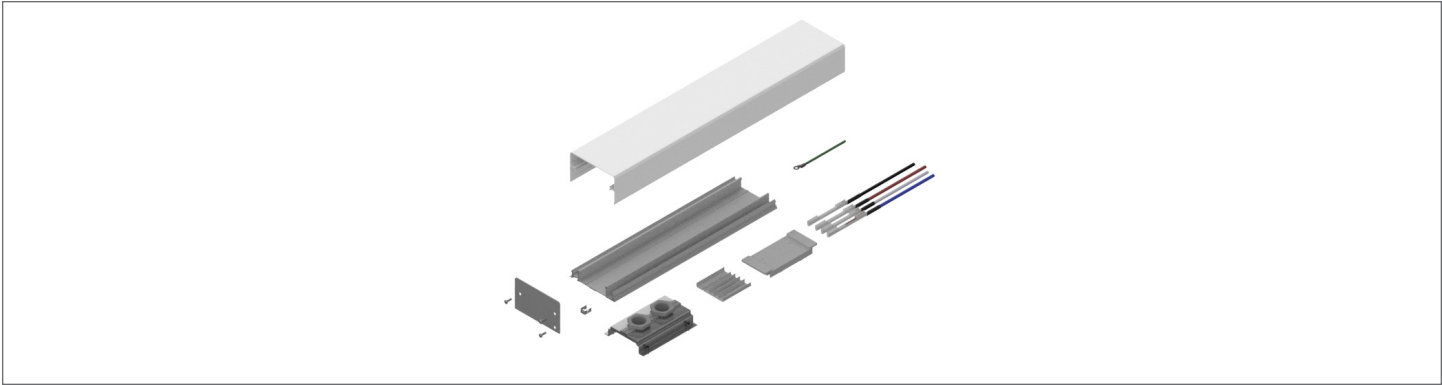
SYSTEM LAYOUT DRAWING



PART	DESCRIPTION
Power End Feed	60 amps 3 phase rating 1 foot (.3 meters) in total length
Midrun Kit	12" in length, 3" cover, provides break in electrical run between feeds
Backplane Section	2.5', 5' or 10' backplane, 60amp 3 phase rating, 5 wire, field cuttable
Plug-In Module	One 5-20 duplex, side mounted, with integral 20 amp circuit breaker, 3" high
Blank Cover	Blank cover, 3" in height, 2.5 feet in length, field cuttable
End Cap Kit	End cap kit, 3" for terminating the end of a power system run

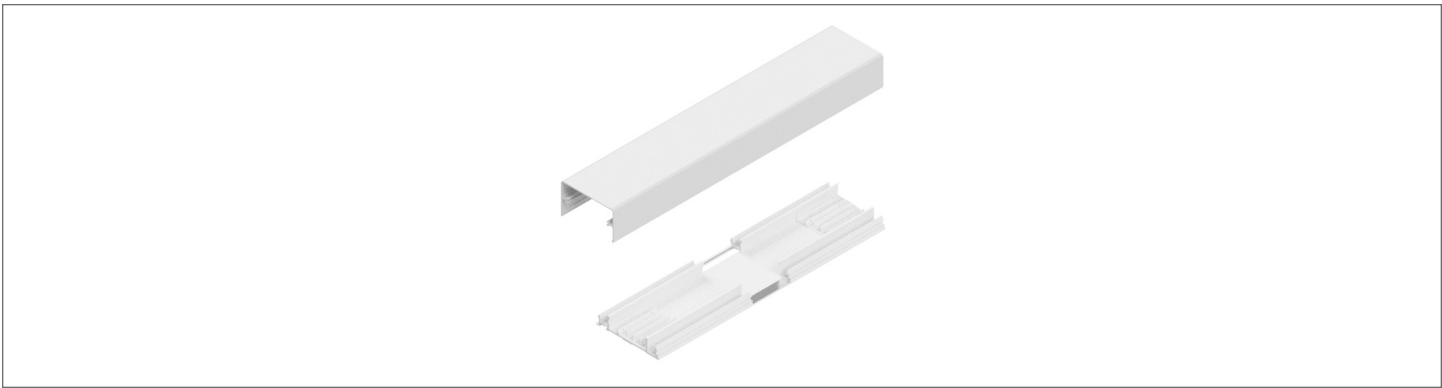


POWER FEED AND MIDRUN KIT



END FEED CATALOG NUMBERS

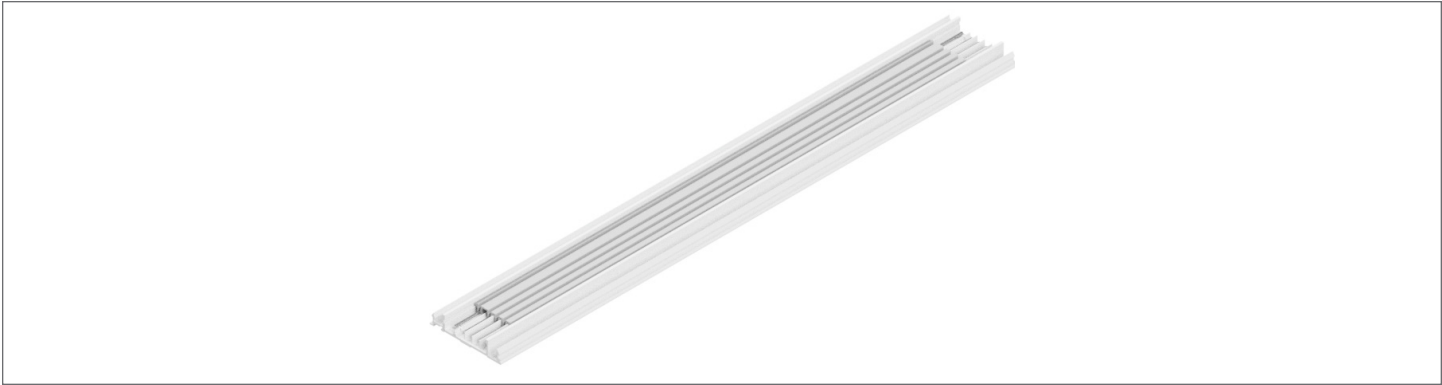
CATALOG NUMBER	DESCRIPTION	LENGTH	STANDARD COLORS
URPF060-4H-3-xxx	Power End Feed, 60A 3-phase, 208Y/120V, case grounded, 3" high cover, used for either left or right feed	1ft/.3m	BLK (Black) P18 (Yellow)



MIDRUN KIT CATALOG NUMBERS

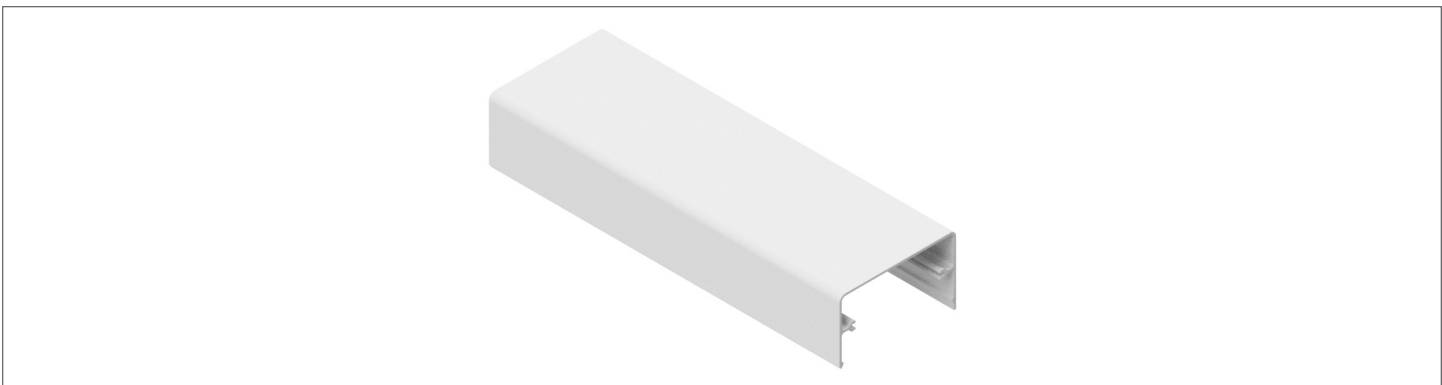
CATALOG NUMBER	DESCRIPTION	LENGTH	STANDARD COLORS
URPM060-4H-3-xxx	Midrun kit, 12" in length, 3" high cover, provides break in electrical run between 2 feeds	1ft/.3m	BLK (Black) P18 (Yellow)

BACKPLANE SECTION AND COVER



BACKPLANE CATALOG NUMBERS

CATALOG NUMBER	DESCRIPTION	LENGTH	STANDARD COLORS
URPS060-4H-1000	10' backplane, 60A 3-phase, 5 wire, 208Y/120V	10ft/3m	Does not apply
URPS060-4H-0500	5' backplane, 60A 3-phase, 5 wire, 208Y/120V	5ft/2m	Does not apply
URPS060-4H-0206	2.5' backplane, 60A 3-phase, 5 wire, 208Y/120V	2.5ft/1m	Does not apply



BLANK COVER CATALOG NUMBERS

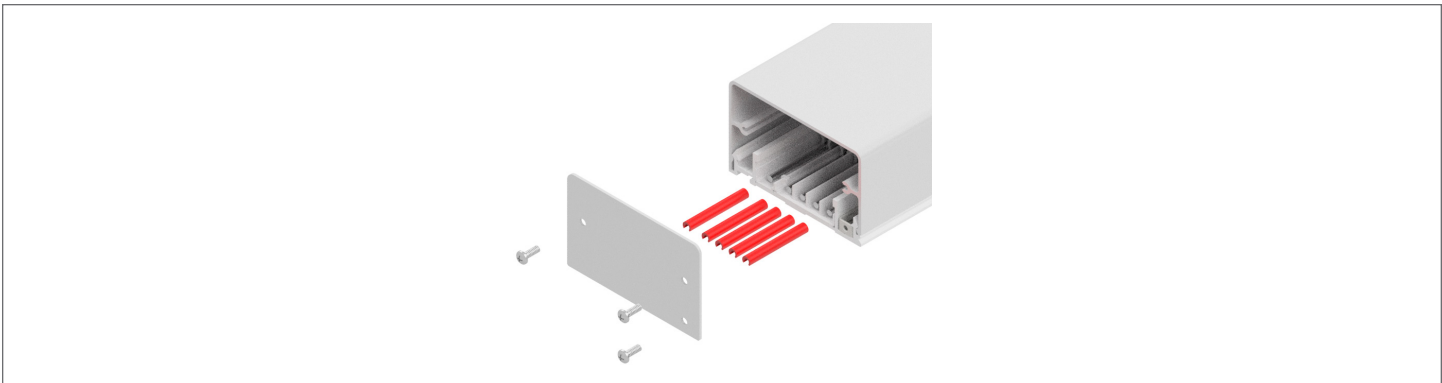
CATALOG NUMBER	DESCRIPTION	LENGTH	STANDARD COLORS
UPC-0206-3-xxx	Blank power cover, 3" in height, 2.5 feet in length, field cuttable	2.5ft/1m	BLK (Black) P18 (Yellow)

PLUG-IN MODULE AND END CAP



PLUG-IN MODULE CATALOG NUMBERS

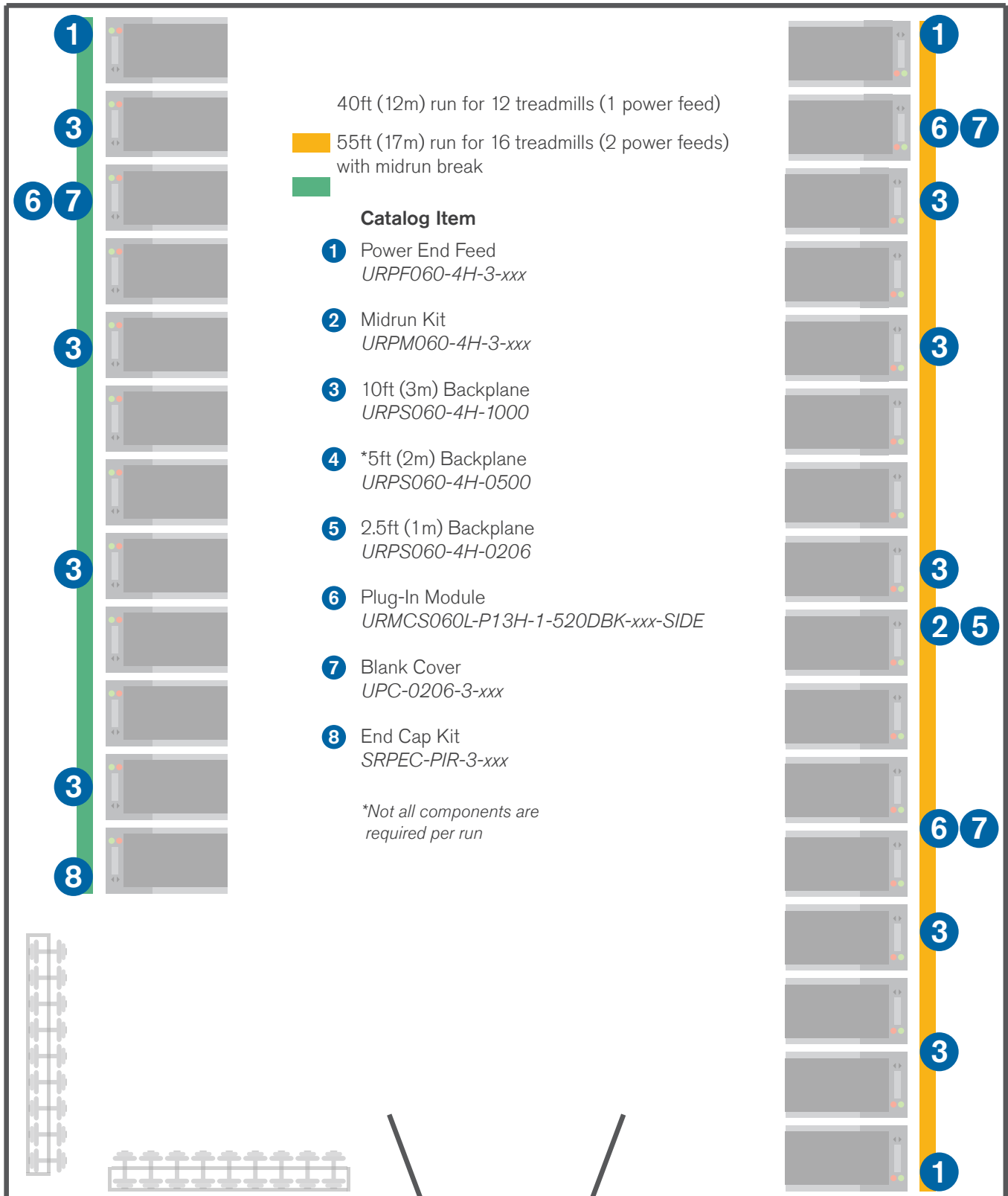
CATALOG NUMBER	DESCRIPTION	LENGTH	STANDARD COLORS
URMCS060L-P13H-1-520DBK-xxx-SIDE	Plug-In Raceway module, one 5-20 duplex, side mounted, with integral 20 amp circuit breaker, 3" high	-	BLK (Black) P18 (Yellow)



END CAP CATALOG NUMBERS

CATALOG NUMBER	DESCRIPTION	LENGTH	STANDARD COLORS
SRPEC-PIR-3-xxx	End cap kit, 3" high covers, for terminating the end of a power only run	-	BLK (Black) P18 (Yellow)

SAMPLE TAKEOFF



RETURN ON INVESTMENT

Starline vs. Other Raceway

Starline Power Only	Cost
System cost per 100 ft	\$ 5,000
Other material req'd per 100 ft	\$ 3,333
Typical labor hours to install 100 ft	40
Labor hours x \$125/hour to install	\$ 5,000

30%
Total Cost Savings with Starline

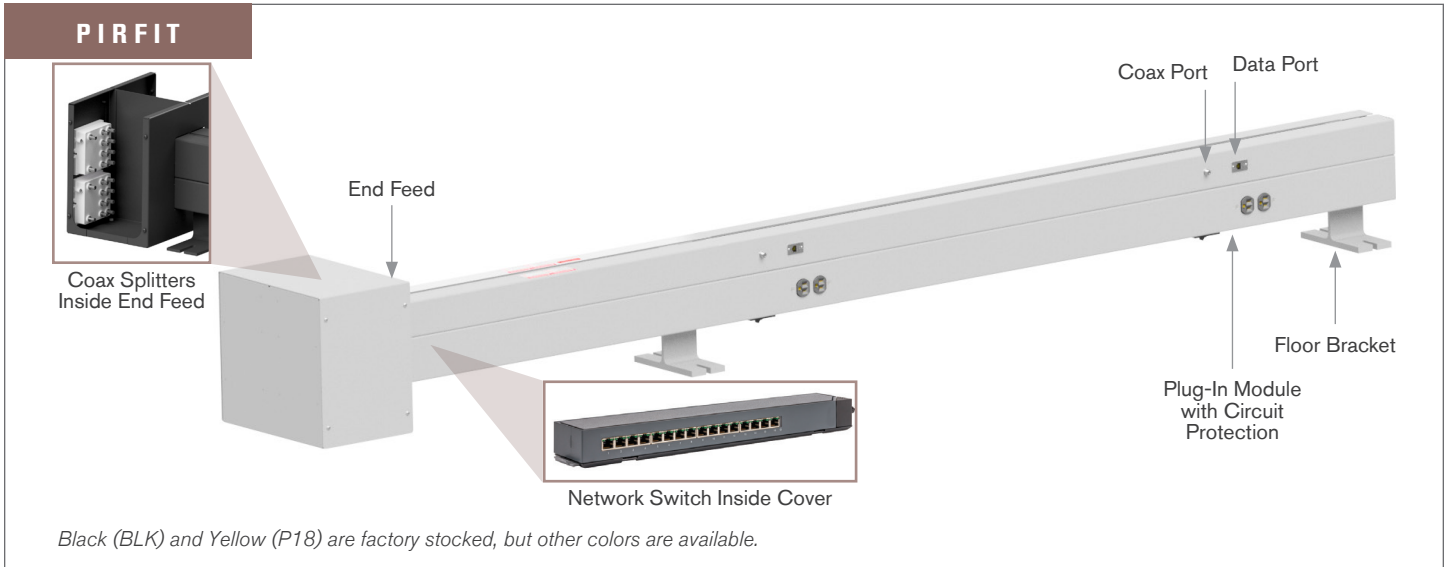
Brand A	Cost
System cost per 100 ft	\$ 1,500
Other material req'd per 100 ft	\$ 5,000
Typical labor hours to install 100 ft	100
Labor hours x \$125/hour to install	\$ 12,500

Starline Total Cost \$13,333

Brand A Total Cost \$19,000



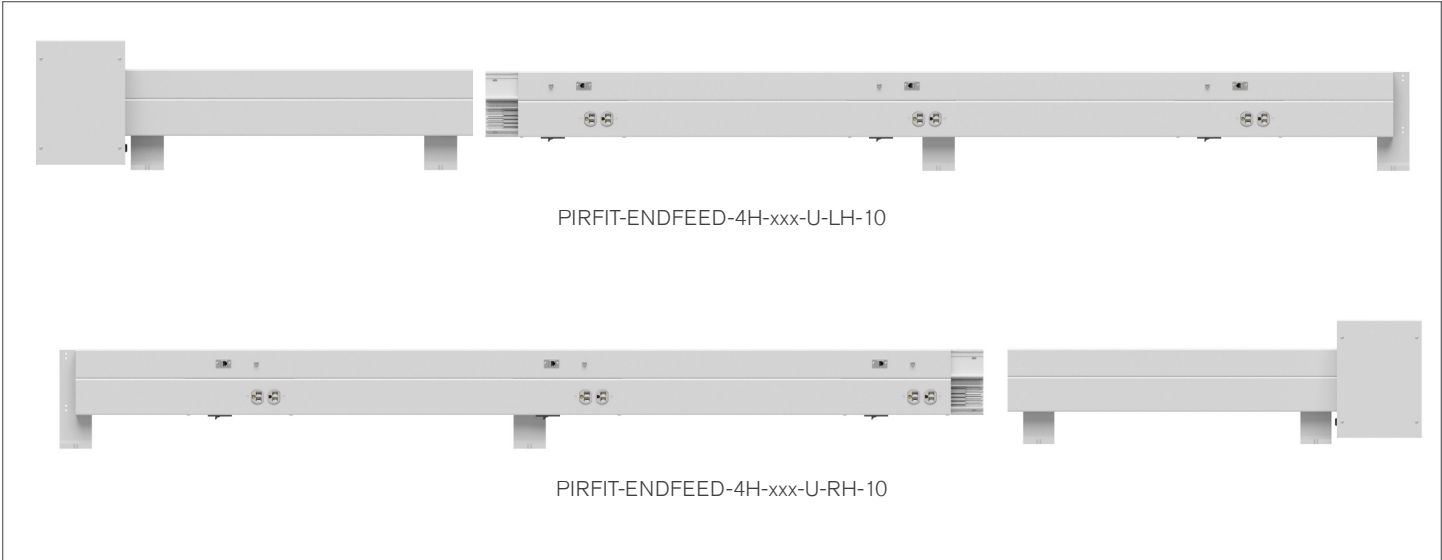
SYSTEM LAYOUT DRAWING



PART	DESCRIPTION
End Feed	60 amps 3 phase rating, one 16 port network switch and 2 coax splitters, 10 feet (3 m) in total length
Mid Feed	60 amps 3 phase rating, one 16 port network switch, 10 feet (3m) in total length
10' Section	Left or right orientation, 60 amps 3 phase rating, 3 plug-in modules provided
5' Section	Left or right orientation, 60 amps 3 phase rating, 2 plug-in modules provided
2.5' Section	Left or right orientation, 60 amps 3 phase rating, 1 plug-in module provided

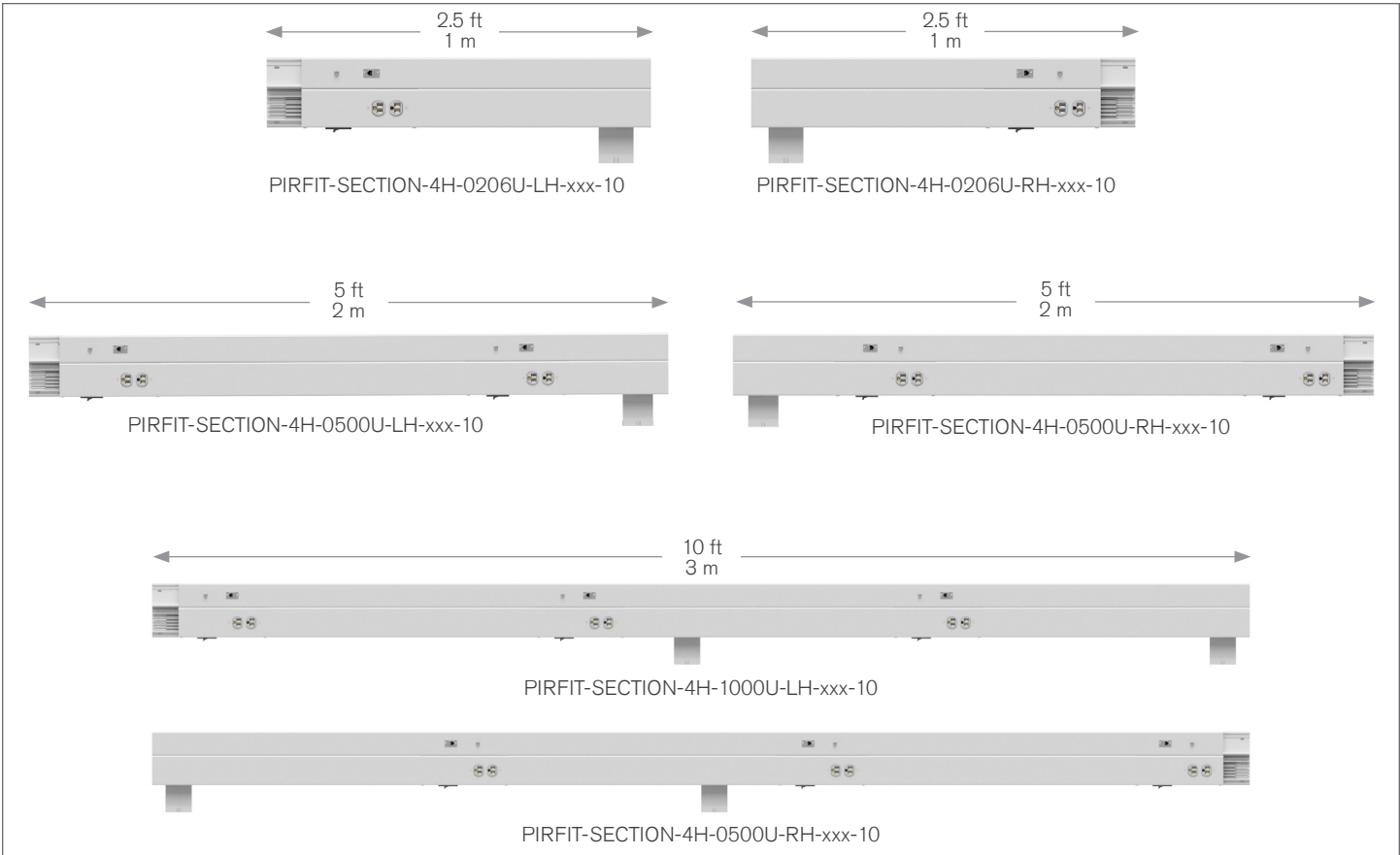


END FEED SECTION



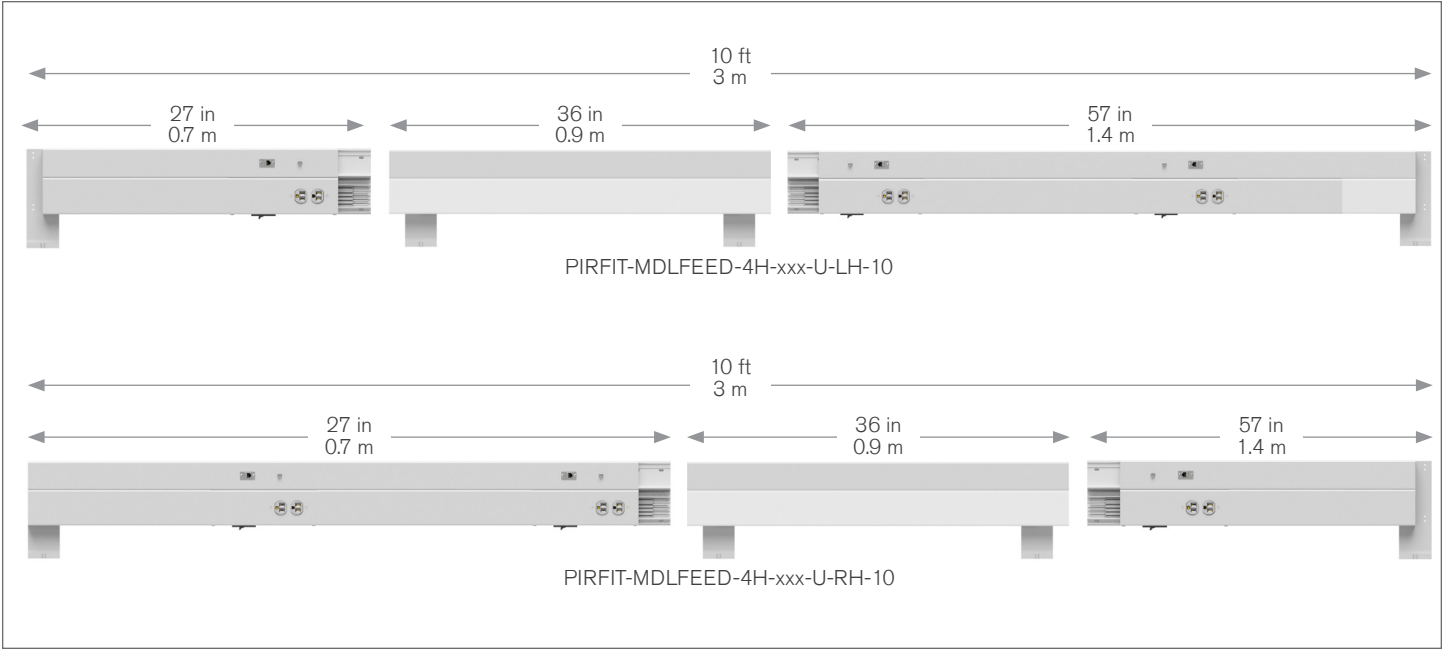
PIRFIT END FEED CATALOG NUMBERS			
CATALOG NUMBER	DESCRIPTION	LENGTH	STANDARD COLORS
PIRFIT-ENDFEED-4H-xxx-U-LH-10	End Feed Section, left hand, 60A 3-phase, 208Y/120V (2 pieces)	10ft/3m	BLK (Black) P18 (Yellow)
PIRFIT-ENDFEED-4H-xxx-U-RH-10	End Feed Section, right hand, 60A 3-phase, 208Y/120V (2 pieces)	10ft/3m	BLK (Black) P18 (Yellow)

BODY SECTION



PIRFIT BODY SECTION CATALOG NUMBERS			
CATALOG NUMBER	DESCRIPTION	LENGTH	STANDARD COLORS
PIRFIT-SECTION-4H-0206U-LH-xxx-10	2.5' Body section, Left hand, 60A 3-phase, 208Y/120V	2.5ft/1m	BLK (Black) P18 (Yellow)
PIRFIT-SECTION-4H-0206U-RH-xxx-10	2.5' Body section, Right hand, 60A 3-phase, 208Y/120V	2.5ft/1m	BLK (Black) P18 (Yellow)
PIRFIT-SECTION-4H-0500U-LH-xxx-10	5' Body section, Left hand, 60A 3-phase, 208Y/120V	5ft/2m	BLK (Black) P18 (Yellow)
PIRFIT-SECTION-4H-0500U-RH-xxx-10	5' Body section, Right hand, 60A 3-phase, 208Y/120V	5ft/2m	BLK (Black) P18 (Yellow)
PIRFIT-SECTION-4H-1000U-LH-xxx-10	10' Body section, Left hand, 60A 3-phase, 208Y/120V	10ft/3m	BLK (Black) P18 (Yellow)
PIRFIT-SECTION-4H-1000U-RH-xxx-10	10' Body section, Right hand, 60A 3-phase, 208Y/120V	10ft/3m	BLK (Black) P18 (Yellow)

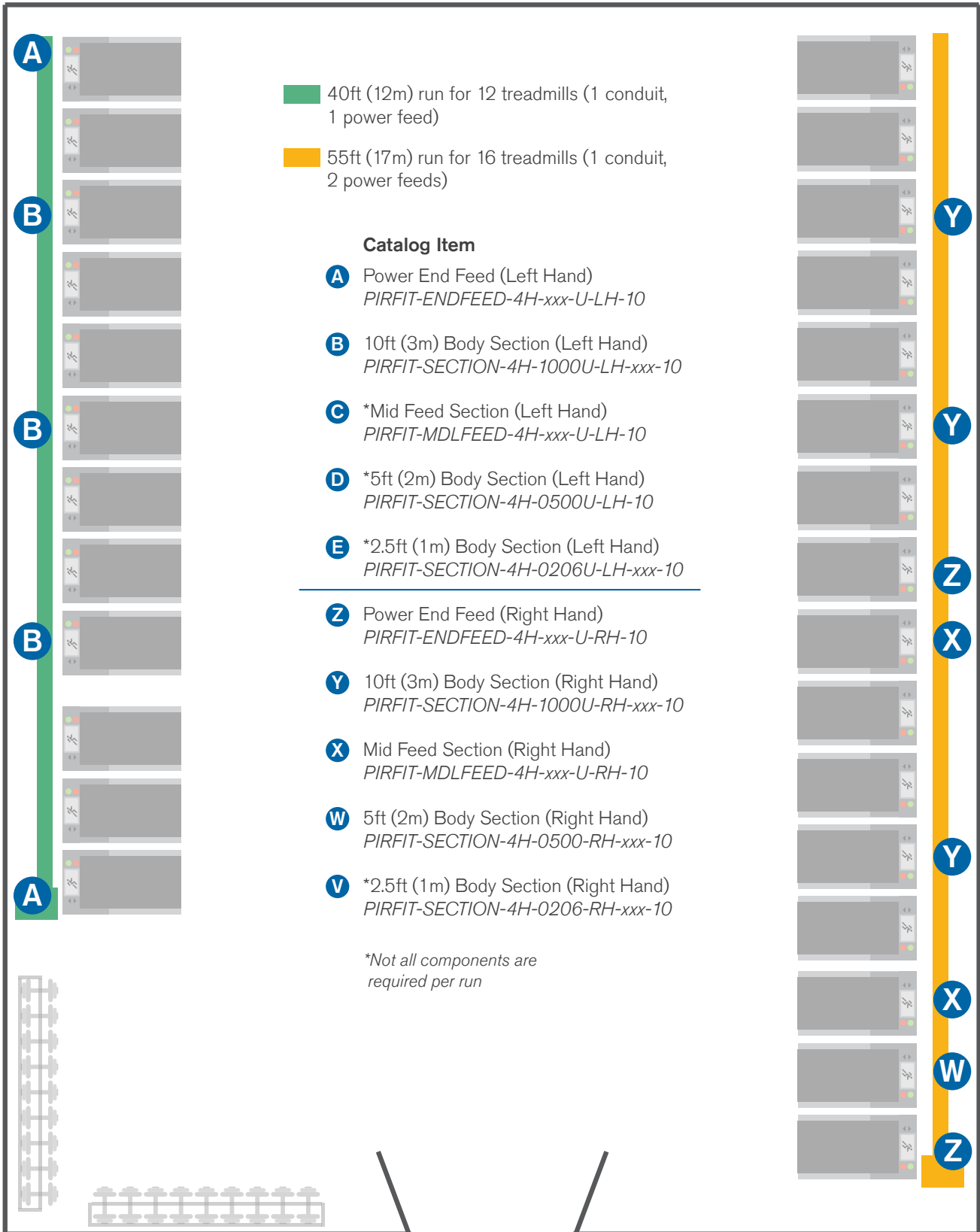
MID FEED SECTION



PIRFIT MID FEED CATALOG NUMBERS

CATALOG NUMBER	DESCRIPTION	LENGTH	STANDARD COLORS
PIRFIT-MDLFEED-4H-xxx-U-LH-10	Mid feed Section, Left hand, 60A 3-phase, 208Y/120V, paint color choice	10ft/3m	BLK (Black) P18 (Yellow)
PIRFIT-MDLFEED-4H-xxx-U-RH-10	Mid feed Section, Right hand, 60A 3-phase, 208Y/120V, paint color choice	10ft/3m	BLK (Black) P18 (Yellow)

SAMPLE TAKEOFF



RETURN ON INVESTMENT

Starline vs. Kneewall/Other Raceway

Starline PIRFIT	Cost
System cost per 100 ft	\$ 9,500
Other material req'd per 100 ft	\$ 5,333
Typical labor hours to install 100 ft	40
Labor hours x \$125/hour to install	\$ 5,000

42%
Total Cost Savings with Starline

Brand A	Cost
System cost per 100 ft	\$ 2,000
Other material req'd per 100 ft	\$ 14,667
Typical labor hours to install 100 ft	140
Labor hours x \$125/hour to install	\$ 17,500

Starline Total Cost \$19,833

Brand A Total Cost \$34,167



Universal Electric Corporation (UEC), the manufacturer of Starline, has been a leader in power distribution since 1924. The company's founders led the way for many new technologies in the power distribution equipment industry. Today, this family tradition of innovation continues to pave the way for safer, more innovative and more reliable electrical power distribution systems. Visit www.StarlinePower.com for your flexible power solutions.



uecorp.com | starlinepower.com



North American Headquarters

168 Georgetown Road | Canonsburg, PA 15317 | USA | info@uecorp.com | +1 800-245-6378

UK & Northern Europe

Unit C Island Road | Reading RG2 0RP | UK | emea.info@uecorp.com | +44 (0) 1183-043180

Asia Pacific Region

16D Tuas Avenue 1 | #04-60/62 | JTC Space @ Tuas | Singapore 639536 | apac.info@uecorp.com | +65 6950-1247

