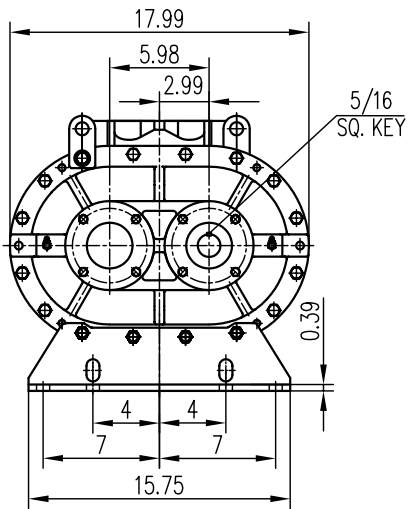


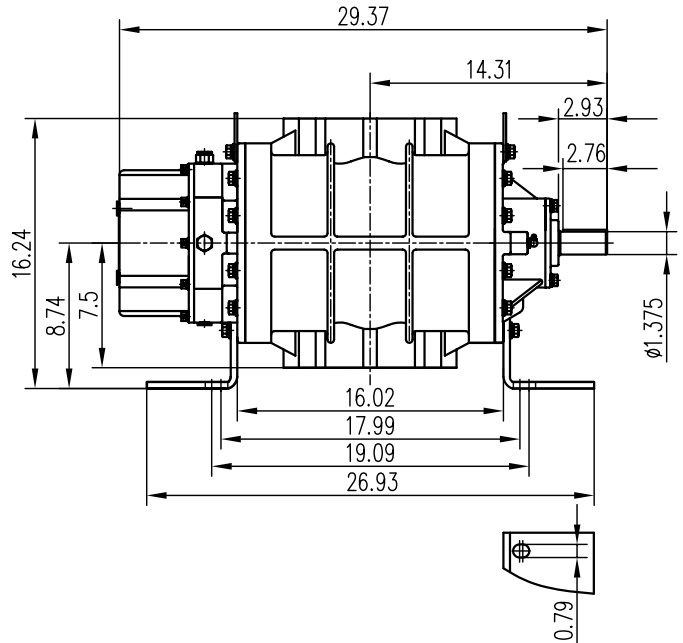
ZZ6L

Vertical Flow Configuration

Unit: inch



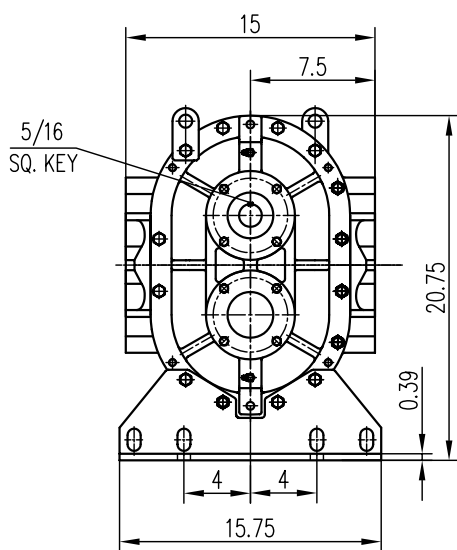
Weight: 529 LBS



ZZ6L

Horizontal Flow Configuration

Unit: inch



Weight: 529 LBS

