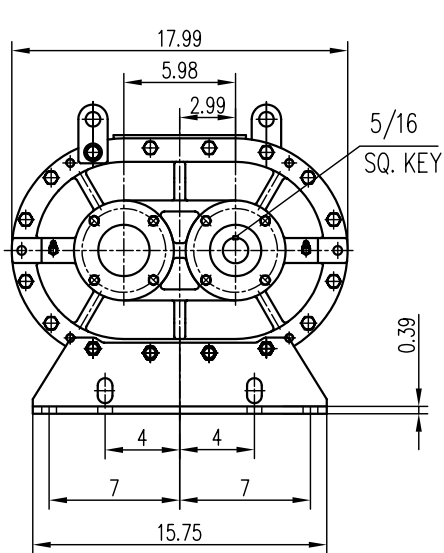


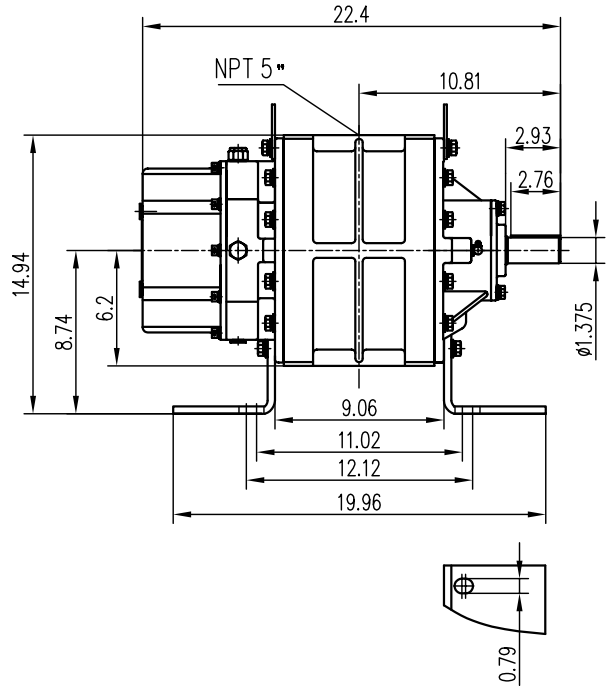
ZZ6M

Vertical Flow Configuration

Unit: inch



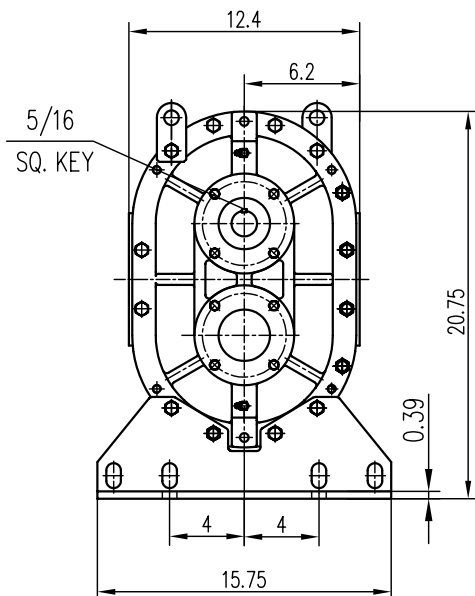
Weight: 364 LBS



ZZ6M

Horizontal Flow Configuration

Unit: inch



Weight: 364 LBS

