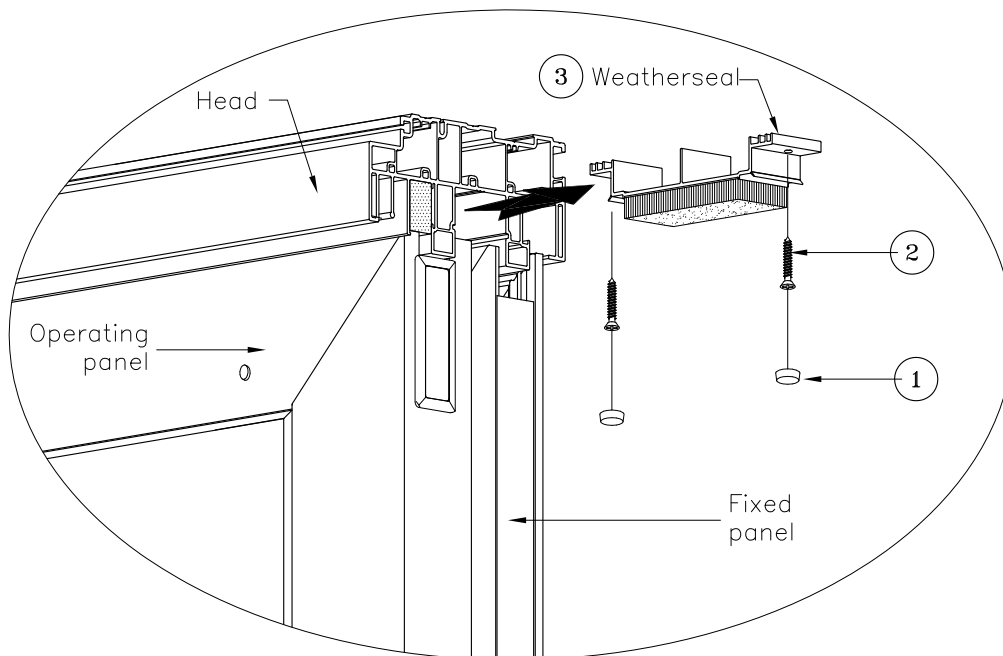
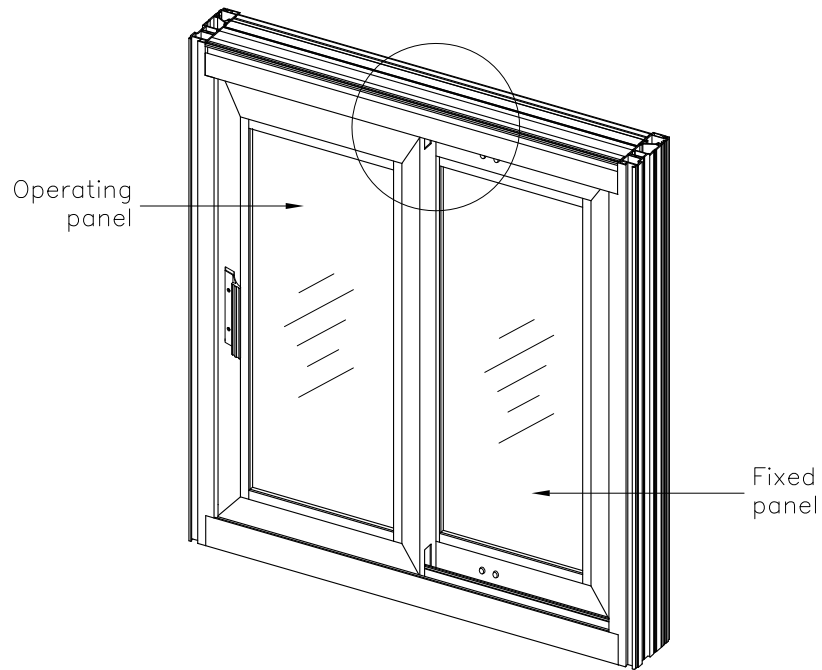


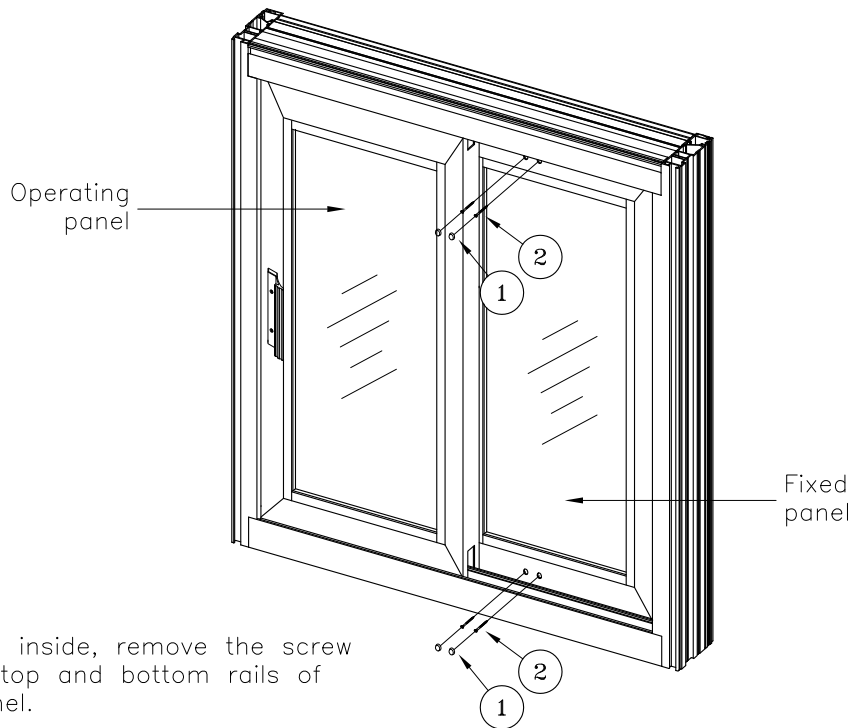
- 1- Adjust the height of the screen for an easy manipulation with the adjustment screws at the top and the bottom. (Turn right to decrease tightness.)
- 2- From the outside, lift the screen. Tilt the bottom of the screen and pull it out.

8.0 Reversability Instructions



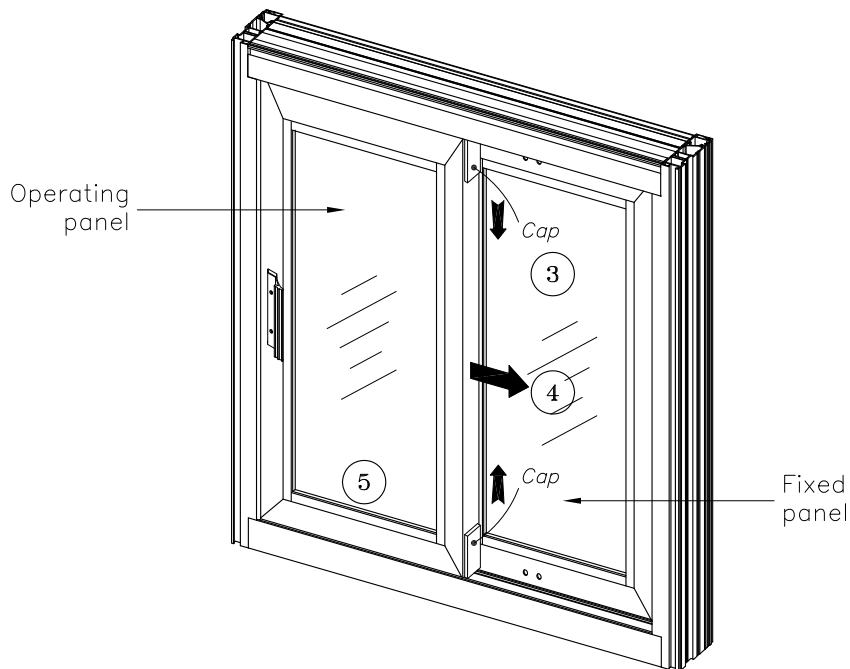
- 1— Remove weatherseal screw caps.
- 2— Remove the weatherseal screws.
- 3— Move operating panel to full open position and slide the weatherseal on operating panel side.

8.0 Reversability Instructions



1- From the inside, remove the screw caps at top and bottom rails of fixed panel.

2- Remove screws as shown.

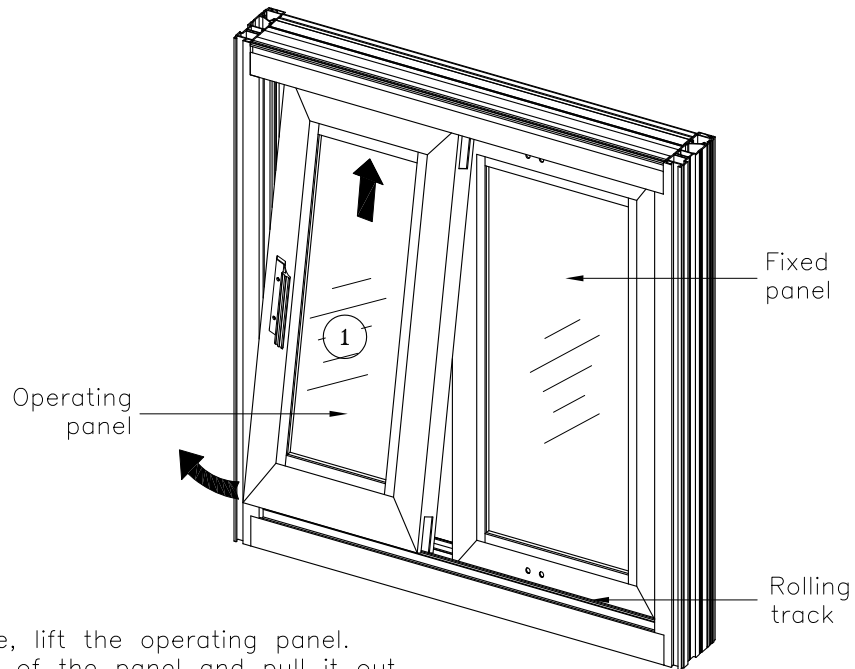


3- Slide caps at each end of the interlock of the operating panel.

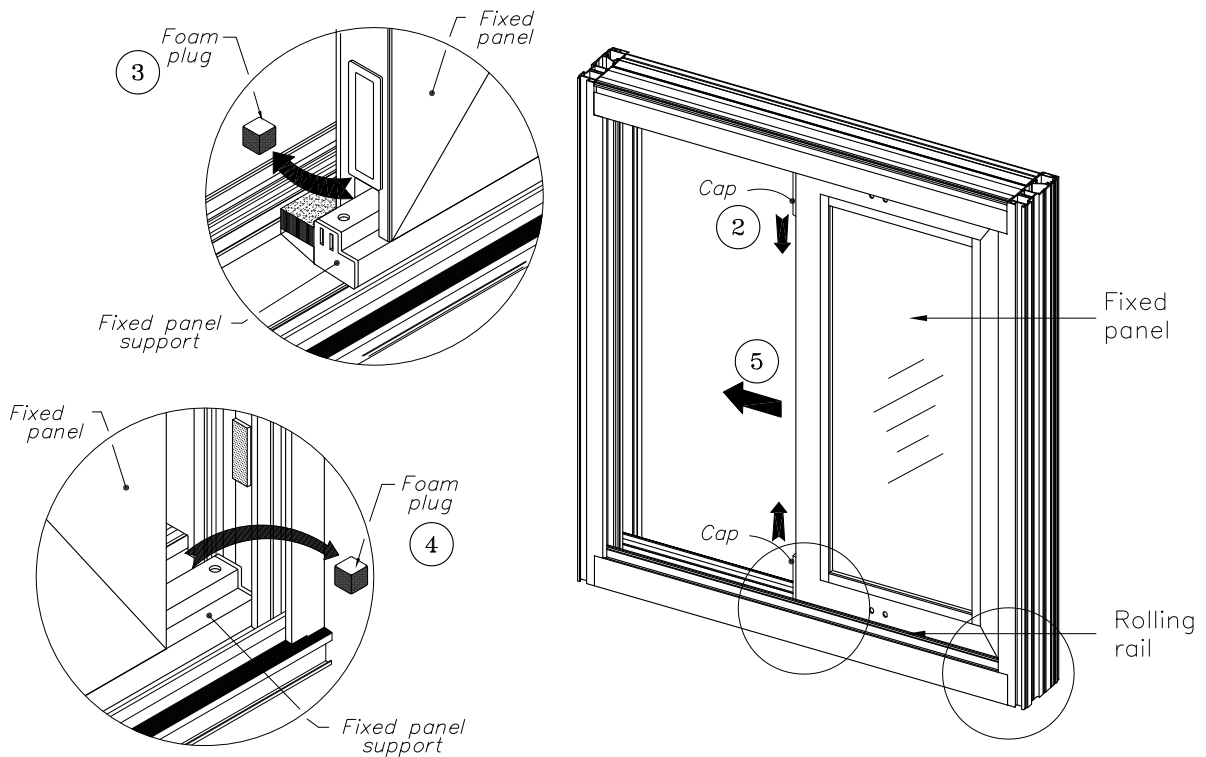
4- Move the operating panel to clear the jamb.

5- Adjust the height of the operating panel with adjustment screws to be able to pull it out. (Countre-clockwise to lower)

8.0 Reversability Instructions

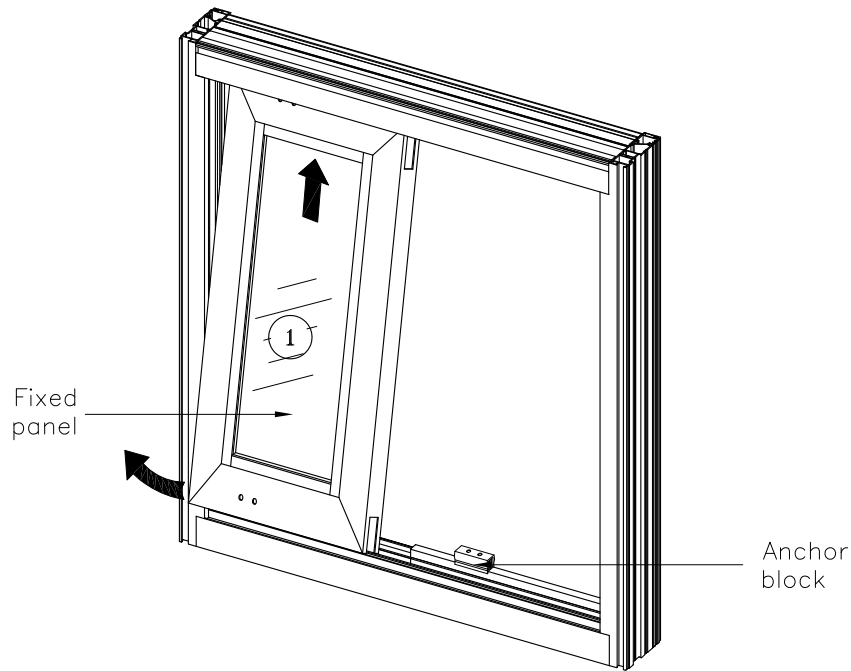


- 1- From the inside, lift the operating panel.
Tilt the bottom of the panel and pull it out.

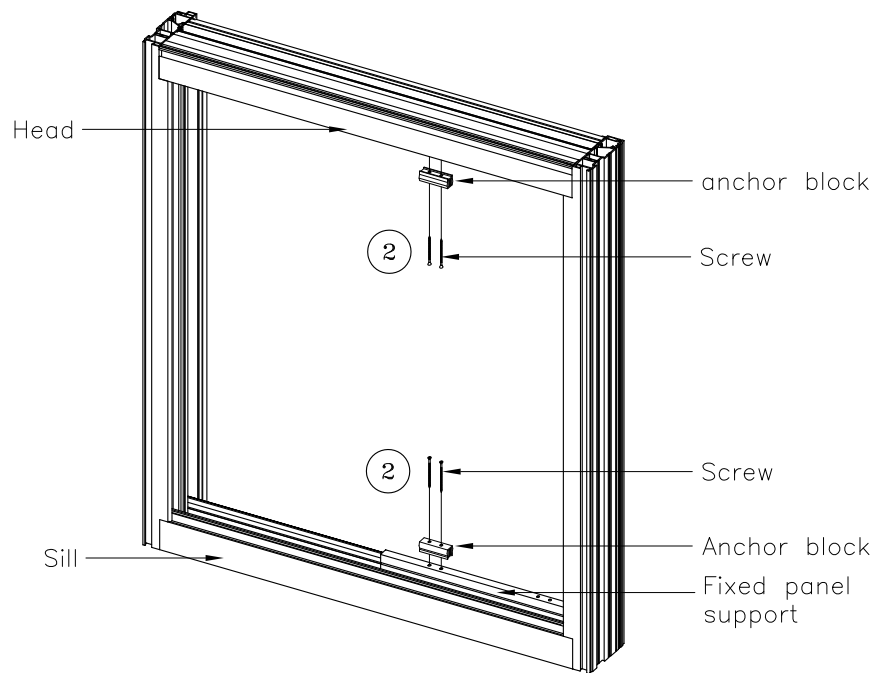


- 2- Slide caps at each end of the interlock of the fixed panel.
3- Remove the foam plug at the base of the interlock of the fixed panel.
4- Remove the other foam plug at the base of the vertical side stile.
5- Slide the fixed panel until it clears completely the anchor block.

8.0 Reversability Instructions

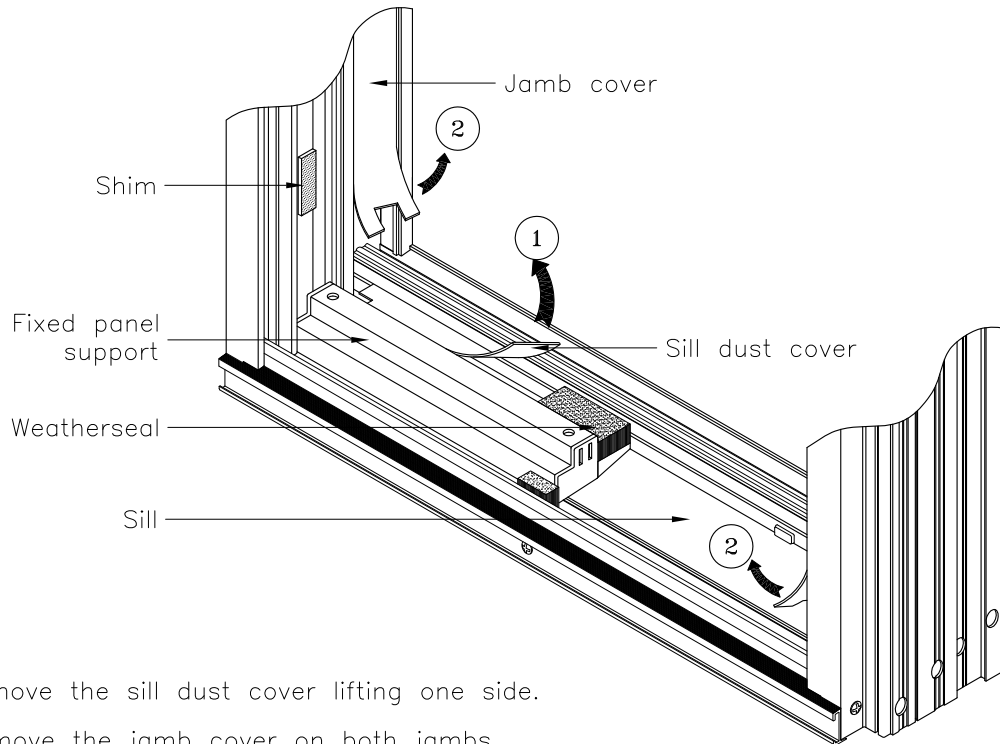


1- Lift the fixed panel. Tilt the bottom of the panel and pull it out.

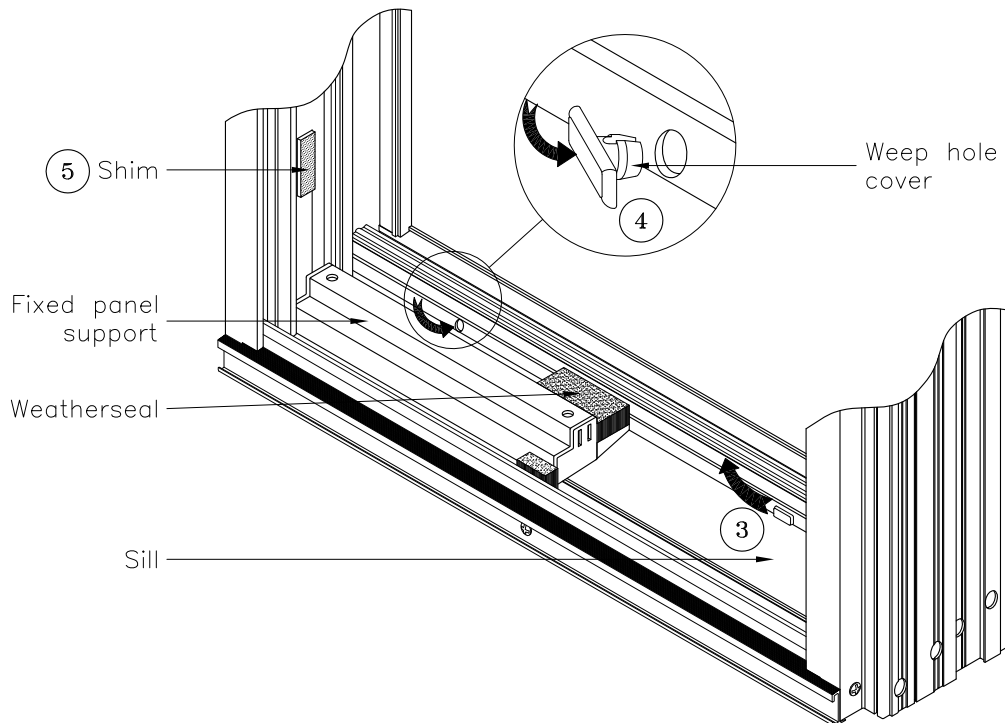


2- Remove the anchor blocks from the fixed panel support

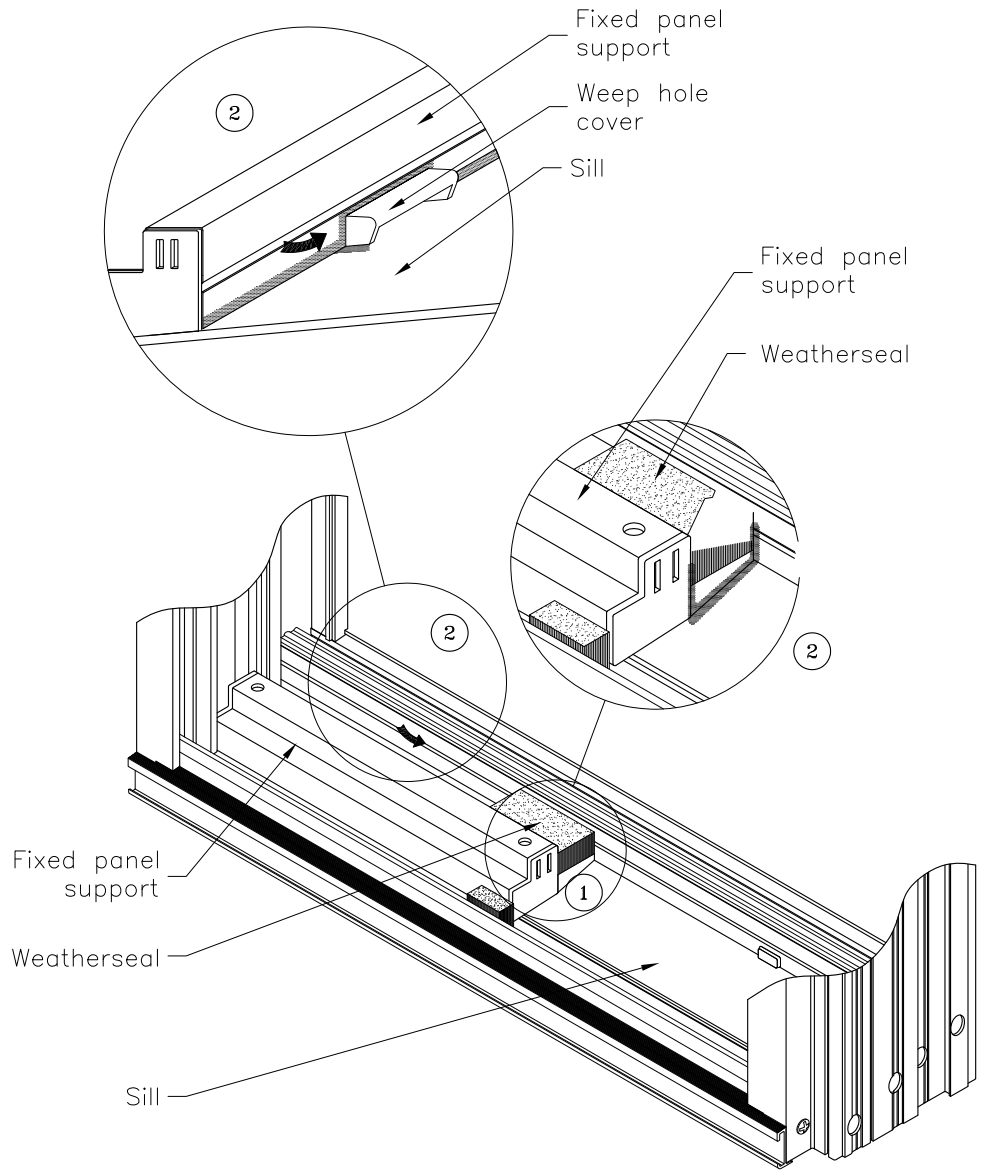
8.0 Reversability Instructions



- 1- Remove the sill dust cover lifting one side.
- 2- Remove the jamb cover on both jambs.

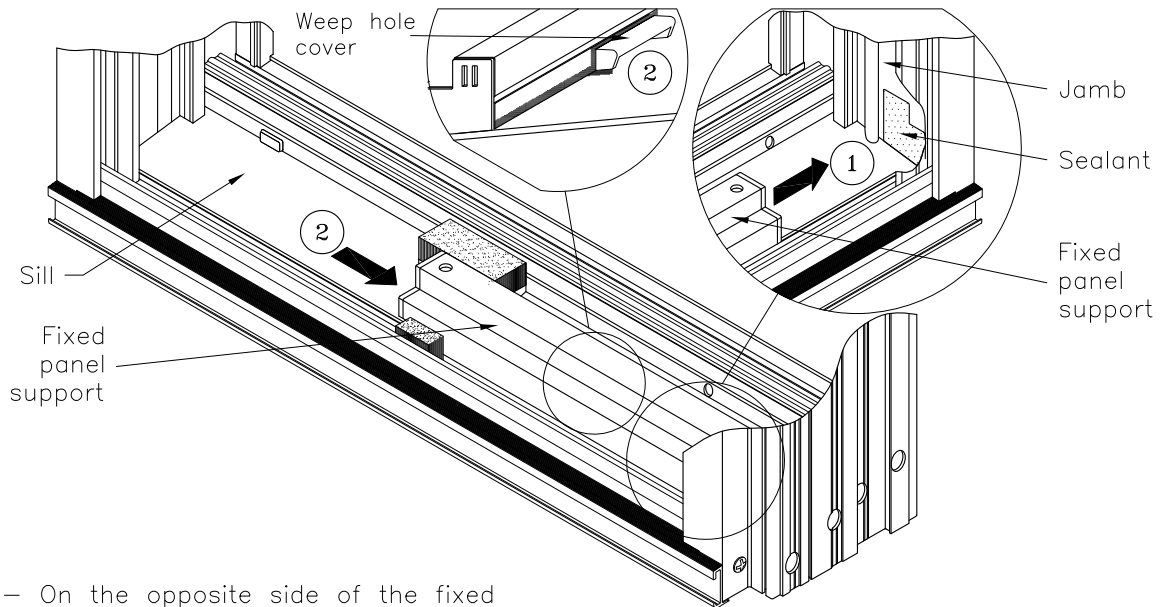


- 3- Remove the weep hole cover.
- 4- Reinstall the weep hole cover at the opposite end of the sill. (As shown.)
- 5- Remove the shims from the jamb and reinstall on the opposite jamb. Make sure the height of shims is the same.

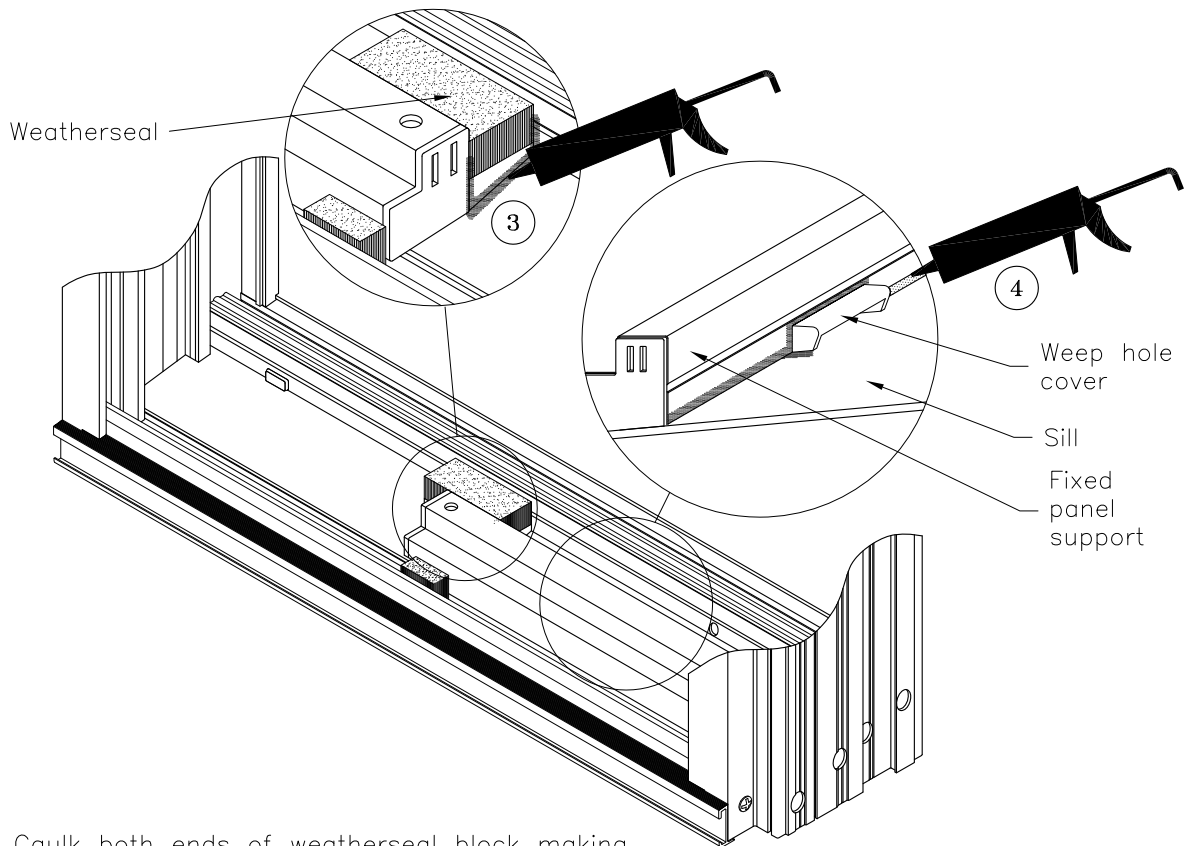


- 1- Using a knife, cut sealant joint between the weatherseal and the fixed panel support.
- 2- Cut sealant joint between the sill and fixed panel support as shown.
- 3- Remove any waste sealant.

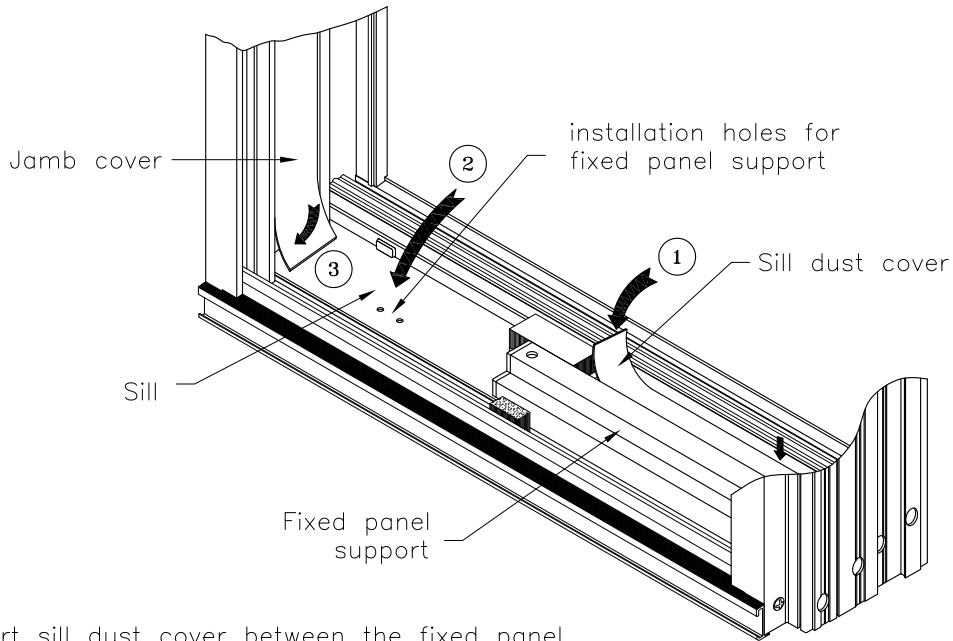
8.0 Reversability Instructions



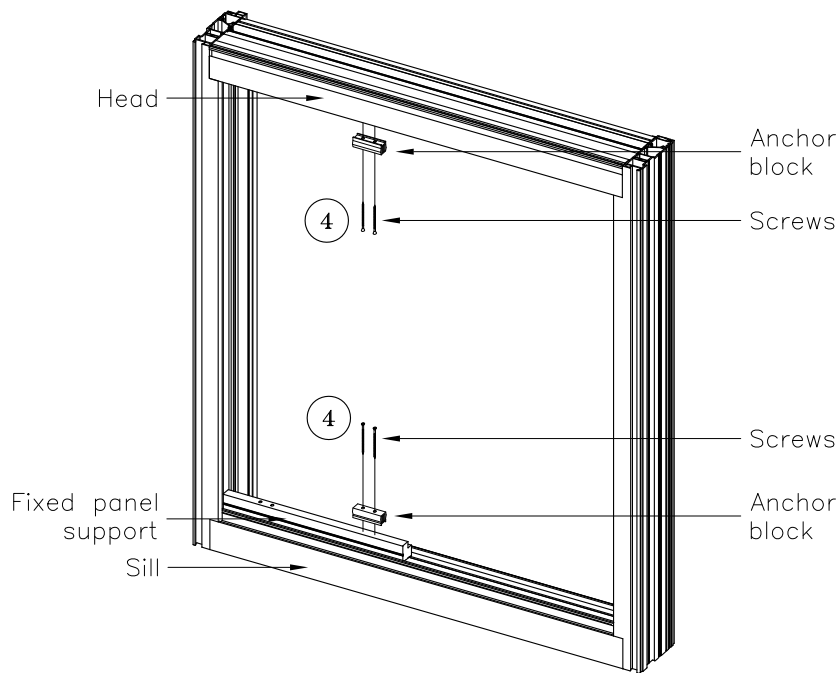
- 1- On the opposite side of the fixed panel support, caulk the jamb as illustrated.
- 2- Slide the fixed panel support to the opposite side and move the weep hole cover to the opposite end.



- 3- Caulk both ends of weatherseal block making sure to seal all grooves around the block. (See caulking detail illustrated)
- 4- Caulk the top and sides of the weep hole plug and along the fixed panel support. (See caulking detail illustrated)

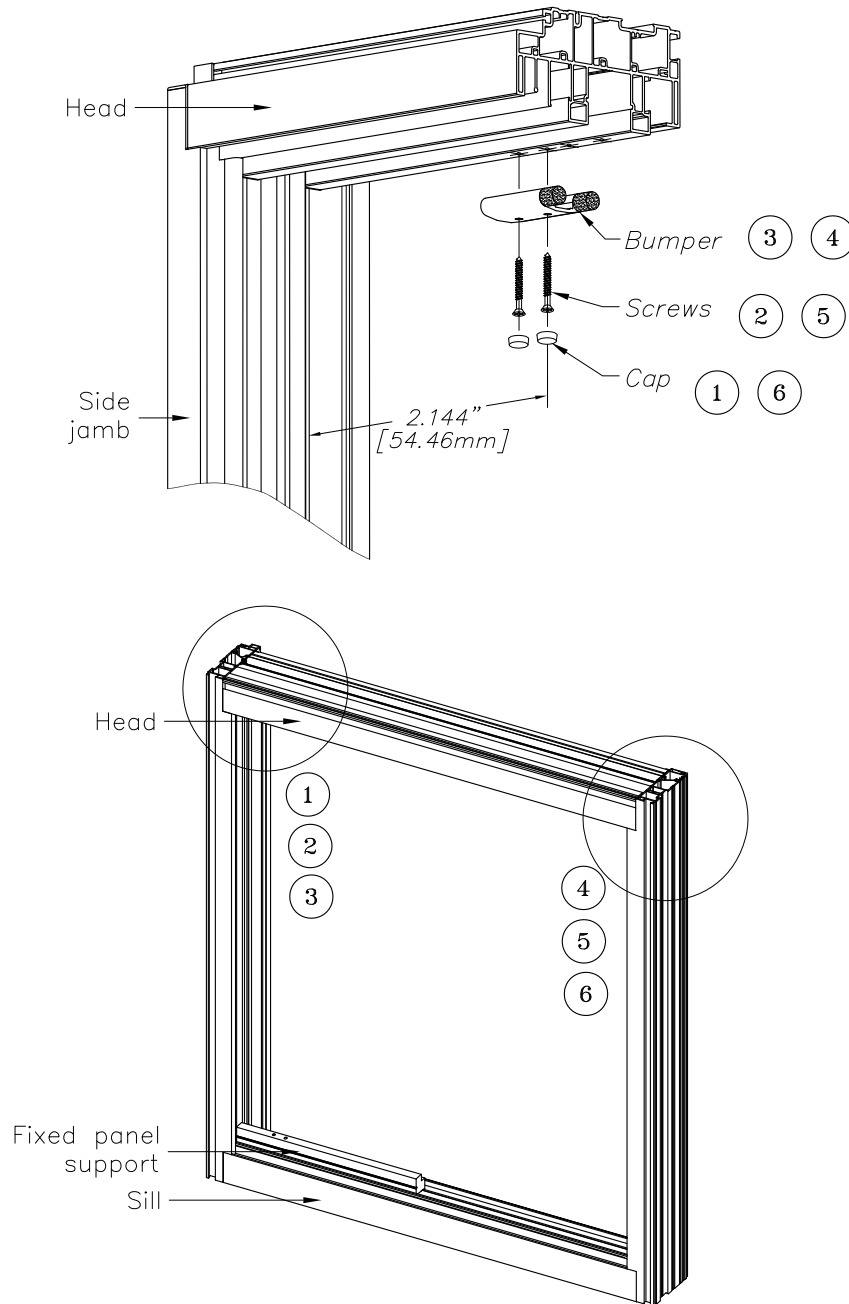


- 1- Insert sill dust cover between the fixed panel support and the sill.
- 2- Using a sharp tool, clean all installation holes on the fixed panel support and place PVC cement into the holes.
- 3- Install both jamb cover at the appropriate opposite jamb location.



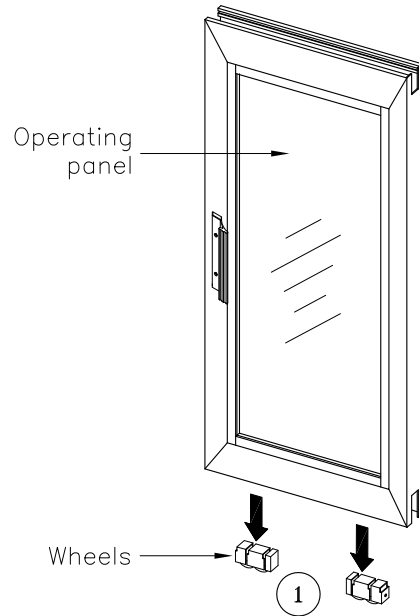
- 4- Install the anchor blocks onto the fixed panel support and head as shown.

8.0 Reversability Instructions

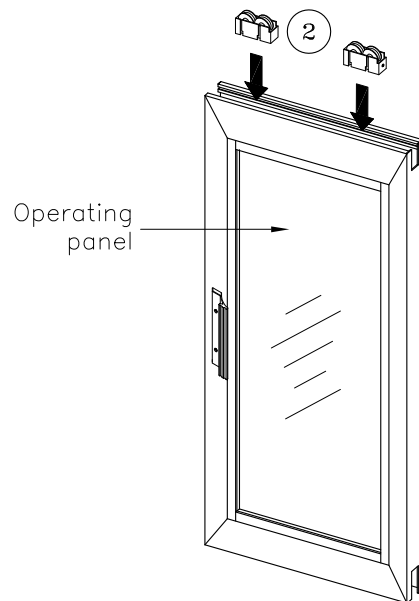


- 1- Remove the two (2) caps on the bumper at the head.
- 2- Remove the two (2) screws.
- 3- Remove the bumper.
- 4- Install the bumper at the appropriate opposite head location.
- 5- Fasten the bumper with two (2) screws.
- 6- Cover each screw with cap.

8.0 Reversability Instructions

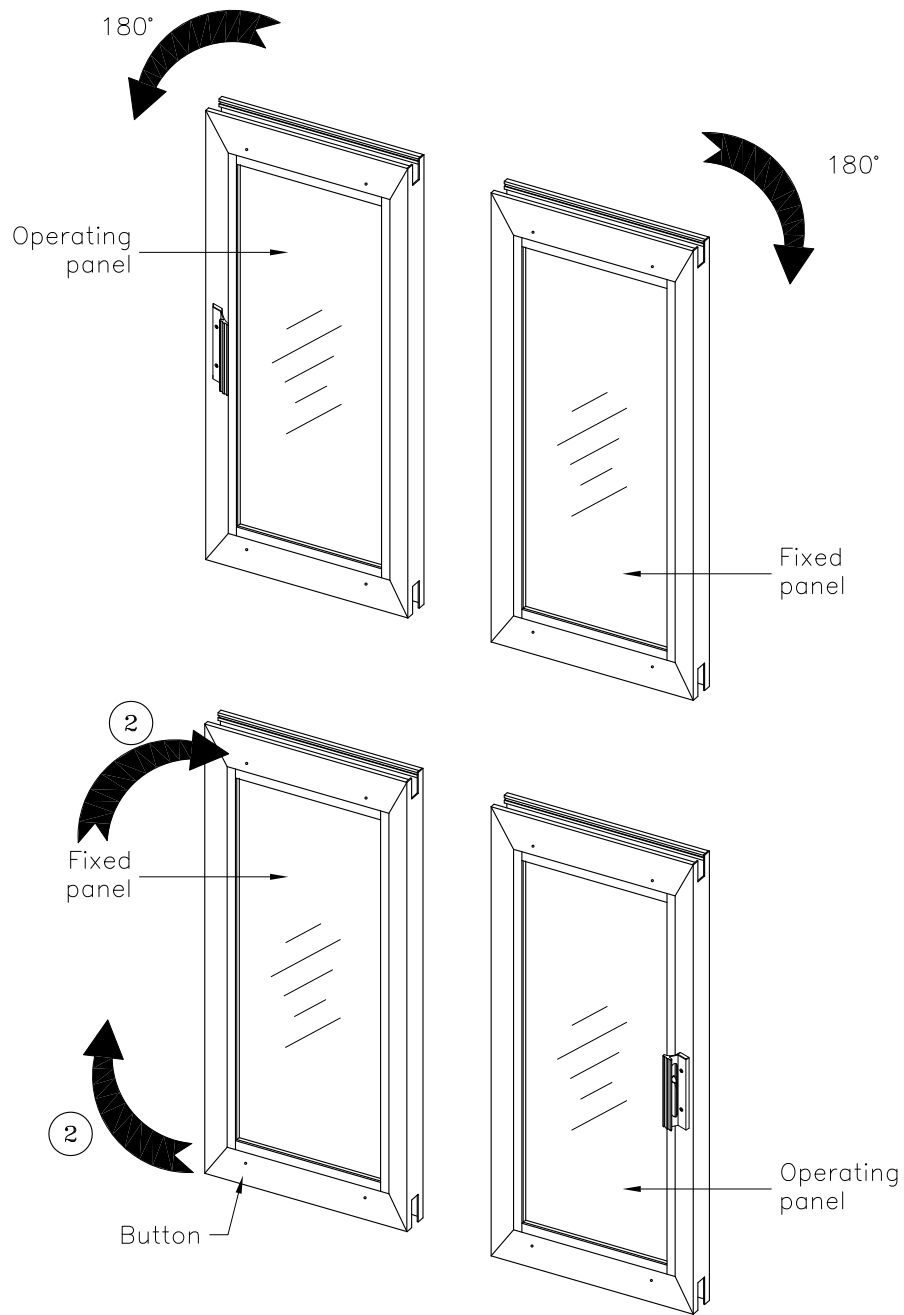


1- Remove the wheels from bottom of operating panel.



2- Install the wheels into the top of operating panel.

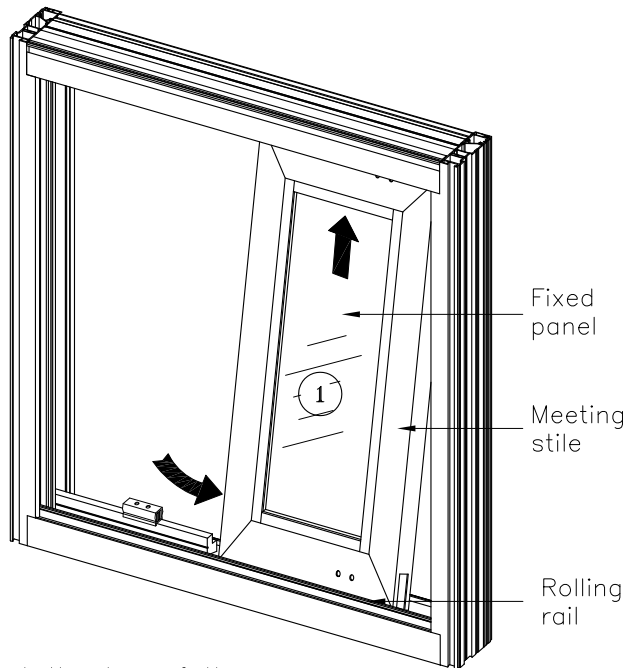
8.0 Reversability Instructions



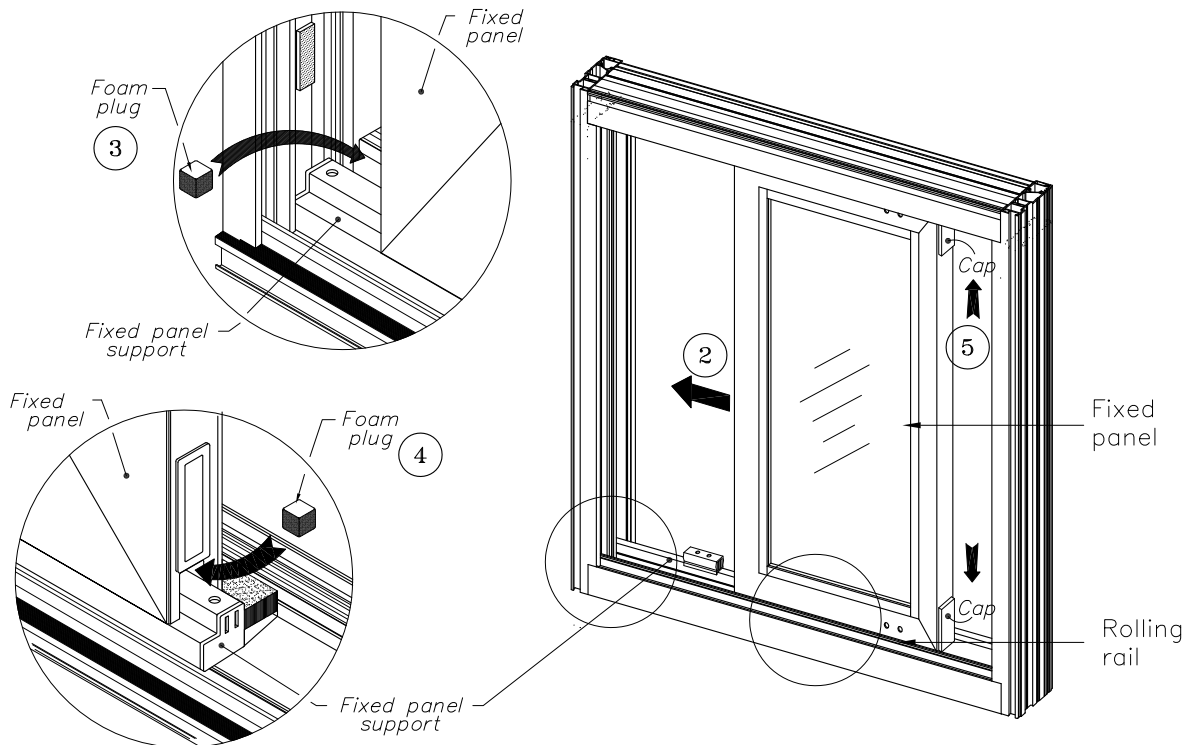
1- Rotate the panels upside down as shown.

2- Move buttons that are used to plug the drain holes, at the top of the panels.

8.0 Reversability Instructions

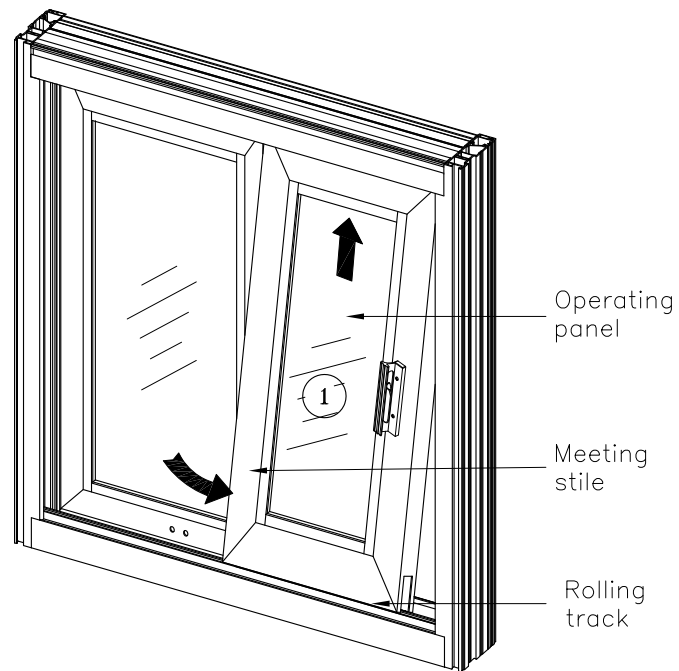


1- From the inside, insert the top of the fixed panel into the head track making sure the interlock is facing inward.

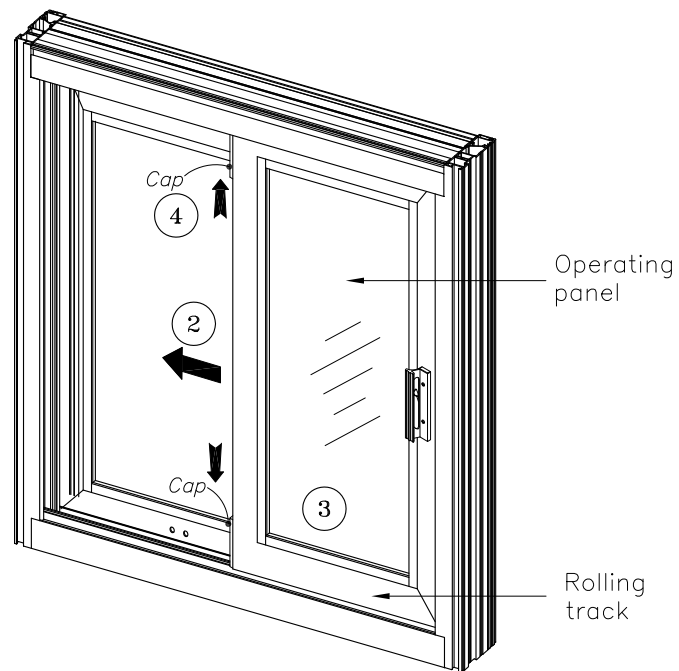


- 2- Slide the fixed panel on the fixed panel support as shown. Until it engages into the opposite jamb track.
- 3- Insert one foam plug at the base of the vertical side stile and slide the fixed panel fully against the jamb. Check for squareness.
- 4- Insert the other foam plug at the base of the interlock of the fixed panel.
- 5- Slide caps at each end of the interlock of the fixed panel to cover screws.

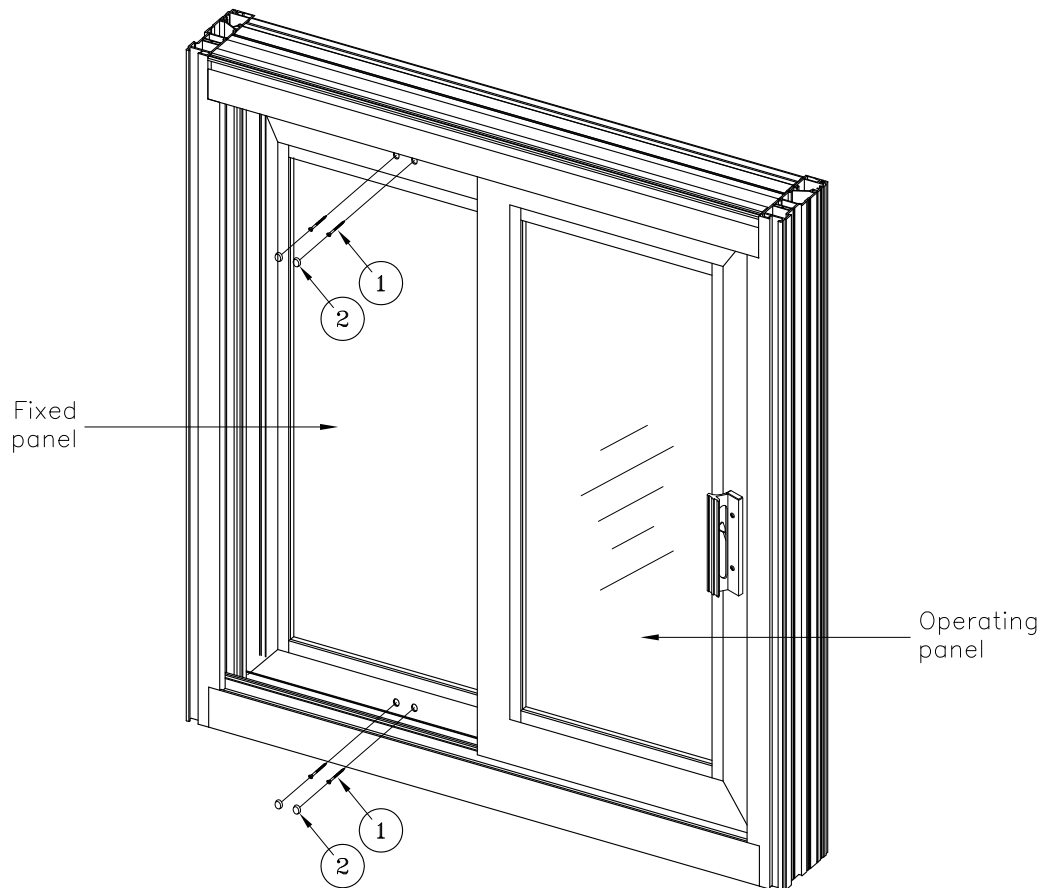
8.0 Reversability Instructions



1- From the inside, insert the top of the operating panel into the inside track of the head.

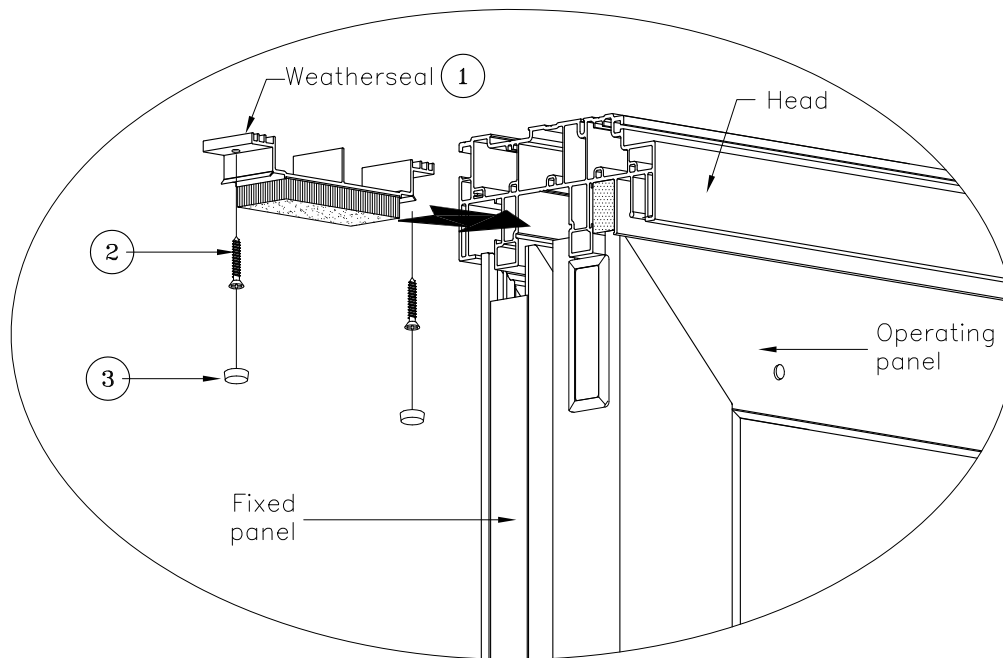
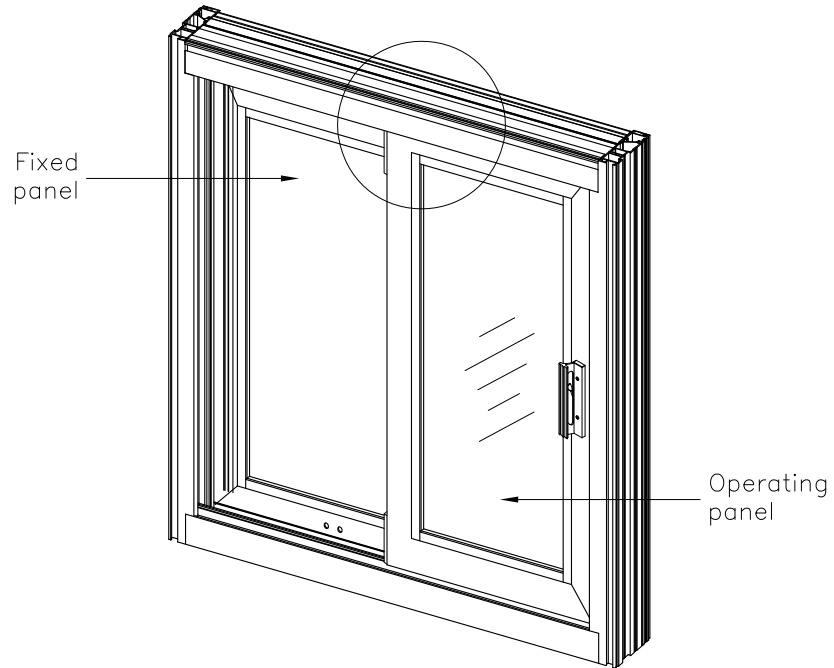


- 2- Make sure the wheels of the operating panel sit onto the rolling track.
- 3- If necessary, adjust height and squareness of the operating panel with adjustment screws. (Clockwise to raise/Countre-clockwise to lower)
- 4- **Slide caps at each end of the interlock of the operating panel.**



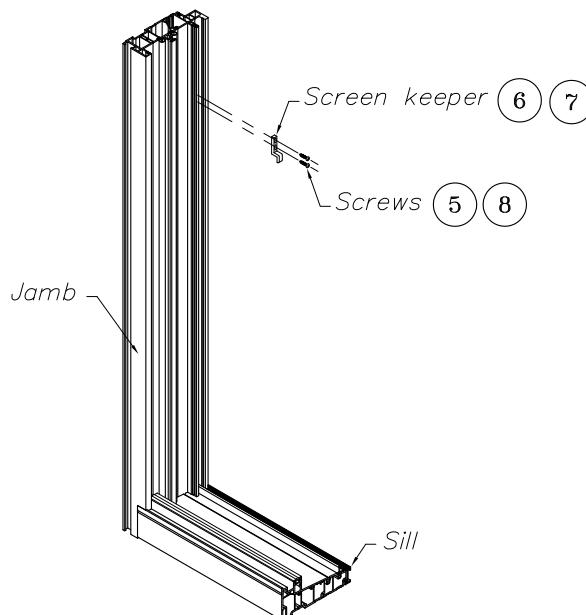
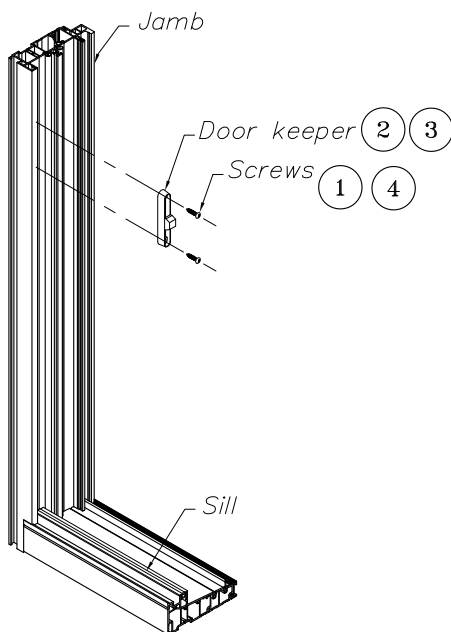
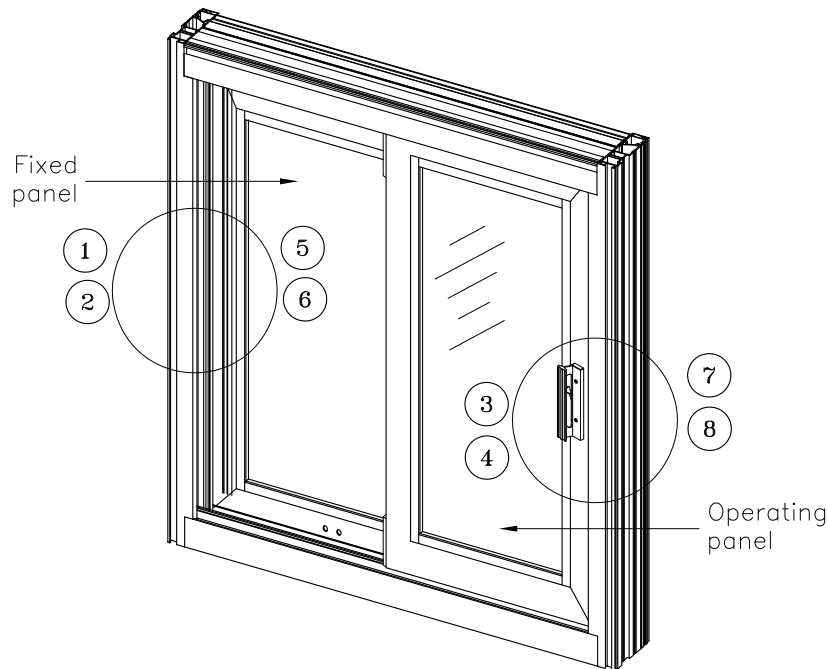
- 1— From the inside, install screws on top and bottom rails of fixed panel.
- 2— Cover each screw with a cap.

8.0 Reversability Instructions



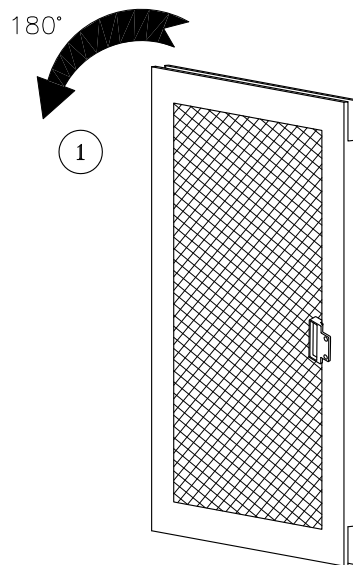
- 1- Move operating panel to full open position, slide the weatherseal into the head cavity at the junction of meeting stiles.
- 2- Fixe the weatherseal with two (2) screws.
- 3- Cover each screw with screw cap.

8.0 Reversability Instructions

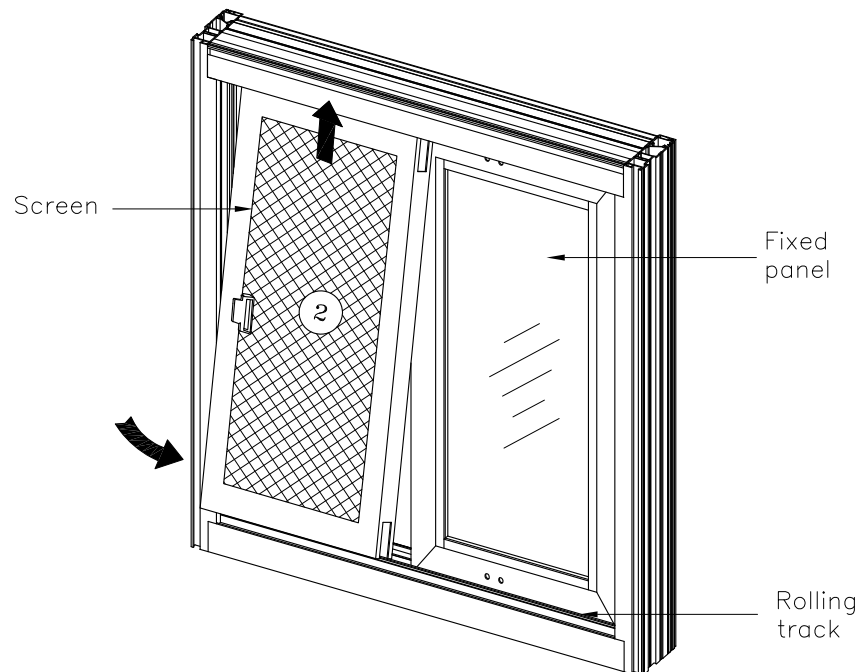


- 1- Place the operating panel in the mid-closed position and remove the two (2) screws of the door keeper on the jamb.
- 2- Remove the door keeper.
- 3- Install the door keeper in the appropriate opposite jamb location.
- 4- Fasten the door keeper with two (2) screws.
- 5- Place the screen in the mid-closed position and remove the two (2) screws of the screen keeper on the jamb.
- 6- Remove the screen keeper.
- 7- Install the screen keeper in the appropriate opposite jamb location.
- 8- Fasten the screen keeper with two (2) screws.

8.0 Reversability Instructions



1- Rotate the screen upside down as shown.



- 2- From the outside, insert the top of the screen in the head track making sure that the insect stopper felt is facing inward.
- 3- Insert the bottom of the screen onto the rail of outside sill cladding.
- 4- If necessary, adjust for squareness and ease of operation with adjustment screws. Adjust bottom wheels for squareness and then the top wheels for ease of operation. (Turn left to increase tightness and right to decrease)