



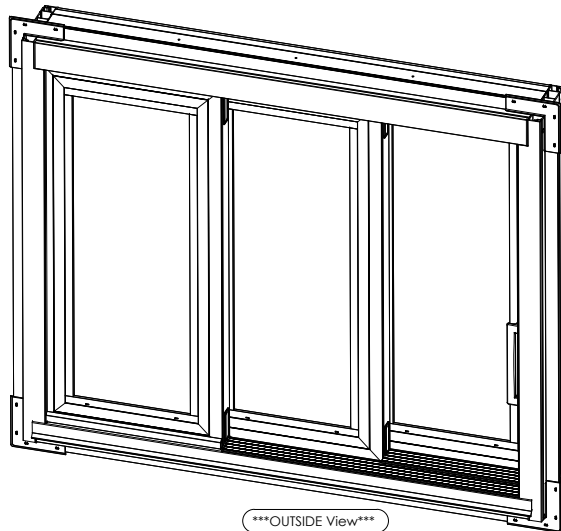
Link to
assembly videos

CELESTA Multi-Track Patio Door S-8375 [OXX]

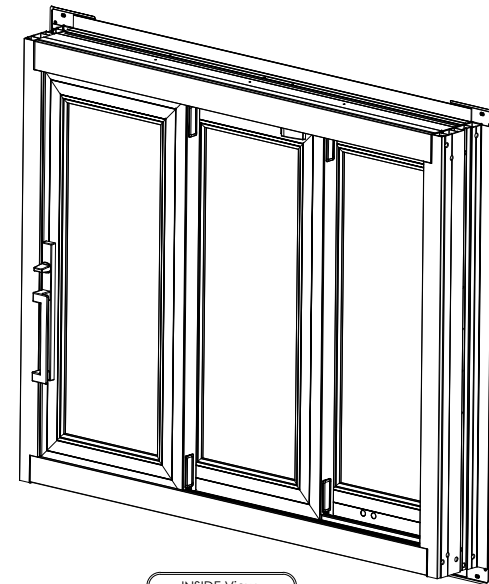
REVISION:
2020/05/26

On site Assembly Instructions

9950.00.GI.8375.OXX.A



OUTSIDE View



INSIDE View

CONFIDENTIAL

The contents of this document and all revisions thereof are confidential and subject to the world-wide copyrights of P.H.-Tech Inc. Any use, reproduction or disclosure thereof without the written permission of P.H.-Tech Inc. is prohibited.

Specific details of all the intellectual property rights relating to this document and the systems and components shown are available from P.H.-Tech Inc., Levis, Quebec
Canada G6V 9G9.



Table of Contents

Installation Requirements

- List of required Tools P1
- Box (HEAD / SILL / JAMBS / SASHES / SCREEN (Option) / HARDWARE) P2

✓ STEPS to Follow:

MATERIAL	<input type="checkbox"/>	1	- Validation of the Hardware	P3-P4
	<input type="checkbox"/>	2	- Validation of HEAD Box & Preparation	P5 to P8
	<input type="checkbox"/>	3	- Validation of SILL Box & Préparation	P9-P10
	<input type="checkbox"/>	4	- Validation of JAMBS Box	P11
FRAME	<input type="checkbox"/>	5	- Frame Assembly	P12 to P14
	<input type="checkbox"/>	6	- Installation of the Frame	P15 to P20
SASH	<input type="checkbox"/>	7	- Installation of the Fixed Sash.....	P21 to P25
	<input type="checkbox"/>	8	- Installation of Central Sash & Head Tracks #8321	P26 to P29
	<input type="checkbox"/>	9	- Installation of Mobile Sash & Head Tracks #8321	P30 to P32
	<input type="checkbox"/>	10	- Adjustment of the Sash	P33
HEAD	<input type="checkbox"/>	11	- Installation of Head Blocks	P34 to P37
	<input type="checkbox"/>	12	- Installation of Jamb Cover (Interior) & Sash Stop	P38-P39
	<input type="checkbox"/>	13	- Installation of Head Covers #8323	P40 to P42
	<input type="checkbox"/>	14	- Fastening Head Tracks #8321 to the Frame	P43-P44
	<input type="checkbox"/>	15	- Installation of Groove Cover #8331	P45 to P47
FINISHING	<input type="checkbox"/>	16	- Installation of Handle, Lock & Keeper	P48 to P51
	<input type="checkbox"/>	17	- Installation of Drip Cap	P52-P53
	<input type="checkbox"/>	18	- Installation of Sills Covers	P54 to P56
	<input type="checkbox"/>	19	- Installation of Jamb Cover (Outside)	P57
	<input type="checkbox"/>	20	- Final Ajustement	P58
	<input type="checkbox"/>	21	- **OPTION** - Preparation for Retractable Screen Installation.....	P59-P60

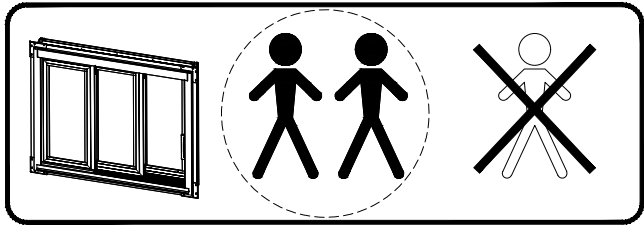


STEP:
0

List of required Tools

REVISION:
2020/05/26

PAGE:
P1

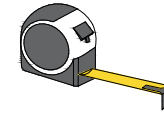


Assembly required by 2 people

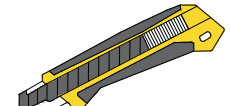
IMPORTANT



Impact
(1X)



Measuring Tape
(1X)



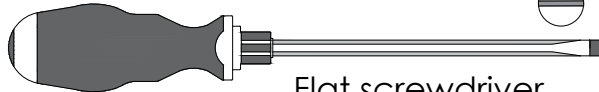
Knife
(1X)



Pencil
(1X)



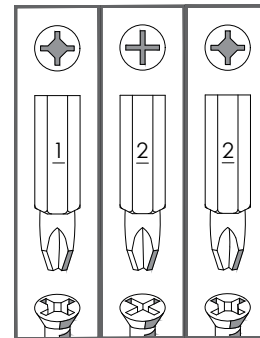
Screwdriver Bit
Quadrex 6" #2 (1X)



Flat screwdriver
(1X)



Countersink
(for #8 screw)
(min.1X)



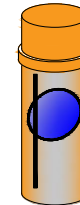
Screwdriver Bits
(3X)



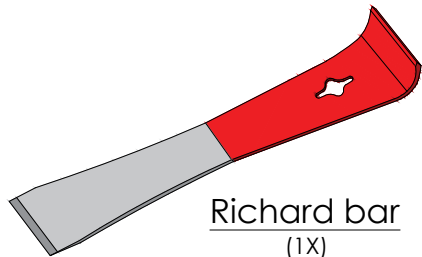
Rubber Mallet
(1X)



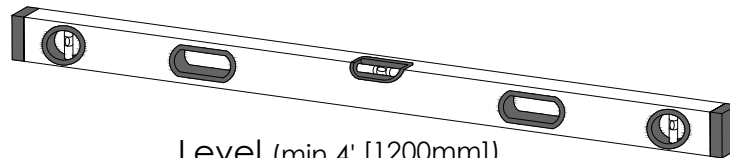
Phillips screwdriver
(1X)



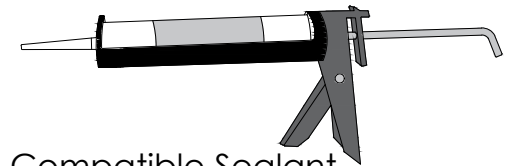
Invisible Lubricant
Silicone
(1X)



Richard bar
(1X)



Level (min 4' [1200mm])
(1X)



Compatible Sealant
(min.1X)

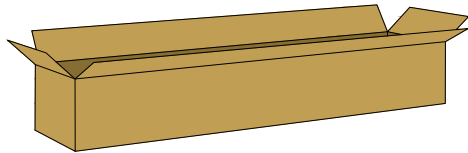


STEP:
0

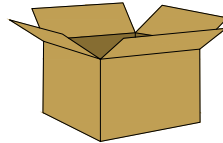
List of Packaging Boxes

REVISION:
2020/05/26

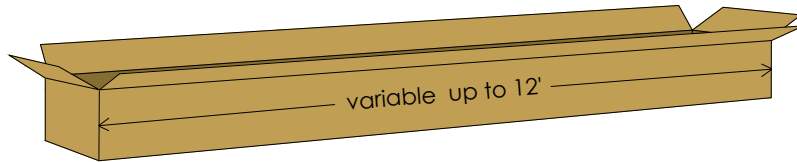
PAGE:
P2



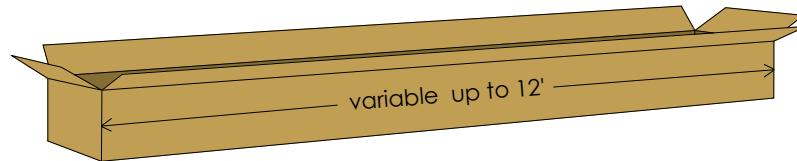
Jambs box
(1X)



Hardware Box
(1X)

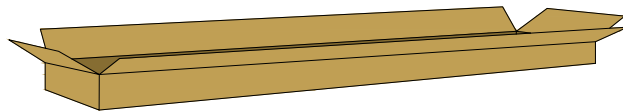


Head Box
(1X)



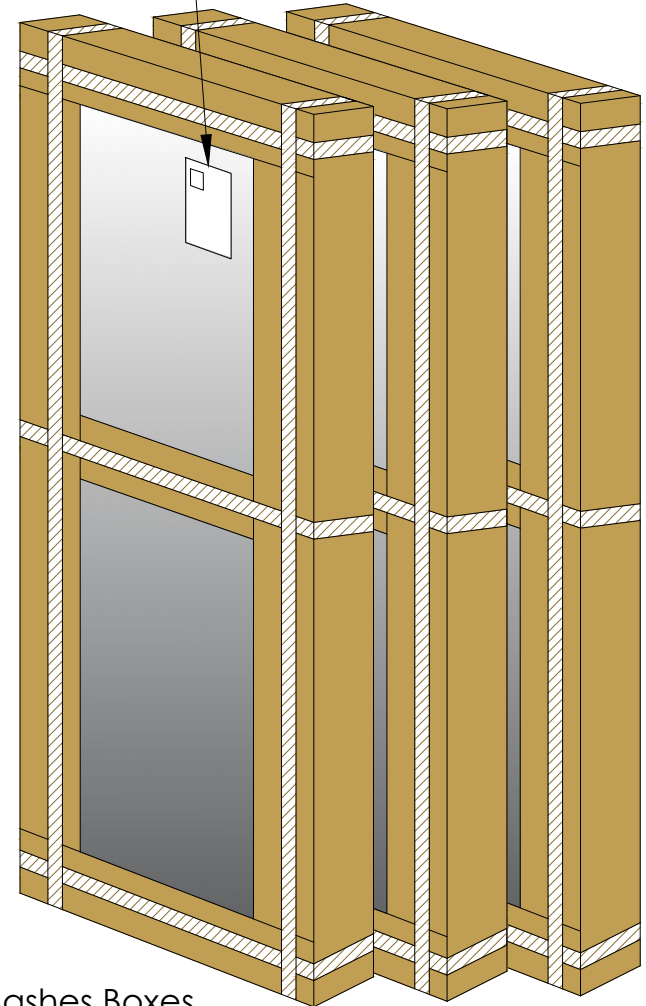
Sill Box
(1X)

****OPTION****



****Screen Box****
(1X)

****See label****



Sashes Boxes
(3X)



STEP:
1

Validation of the Hardware

REVISION:
2020/05/26

PAGE:
P3

08375.58.SACn1.3V : FRAME & SASH Hardware bag

9619.VIS08 (6X)
8942.VIS10 (24X)
8941.VIS08 (2X) *BLACK*
9876.VIS08 (4X)
8784 (1X)
9853 (5X)
9667.CAPUC (4X)
8397.58.ANCVS (1X)
8389.CAPEV (1X)
8770.LAMCO (4X) (OPTION) - (If with nailing fine)
8389.ARREV (1X)

09750.00.INST.3VMP : Installation bag

9683.VIS10 (14X)
9759.VIS08 (14X)
9825.VIS10 (28X)
9859 (14X)

A

IMPORTANT:
Hardwares are provided for Installation in Wood box.

For concrete application: screws are NOT provided.





STEP:
1

(Continued) Validation of the Hardware

REVISION:
2020/05/26

PAGE:
P4

08380.00.SACn2.3V : HEAD Hardware bag

8942.VIS10 (19X)

8941.VIS08 (8X) ***BLACK***

8940 (1X) **Assembled with shim 8789**

8703.BMSCF (1X) **Assembled with foam 8373**

00703.ADM35 (2X)

!

If painted door (OUT= Outside) or (IN=Inside), rather use parts on red bag in Sill box &/or Sash box.

08375.58.SACn3.3V : FINISHED Hardware bag

8813.VIS10 (4X)

8377.GAPSF (1X) Adhesive backside
not required OXX

9150.CAPUC (2X)

8395.58.CAPVS.G (1X) not required OXX

8395.58.CAPVS.D (1X) (OUT)

09250.KT.ENS2P : Lock & Keeper bag

9250.SER2P (1X)

9250.GACHE (1X)

9149.VISME (#10 x 3/4") (2X) *** Not required ***

9250.VISGA (#10 x 1-3/4") (4X)

Screw #10 x 2-1/2" (2X)

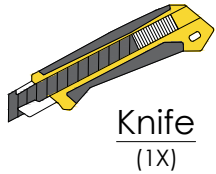


Validation of HEAD Box & Preparation

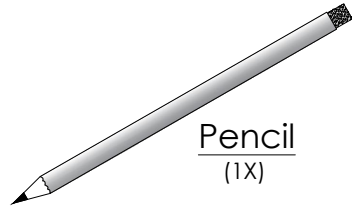
REVISION: 2020/05/26

PAGE: P5

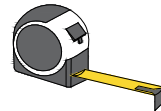
*Materiels and hardware



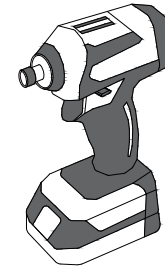
Knife
(1X)



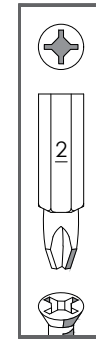
Pencil
(1X)




Measuring Tape
(1X)

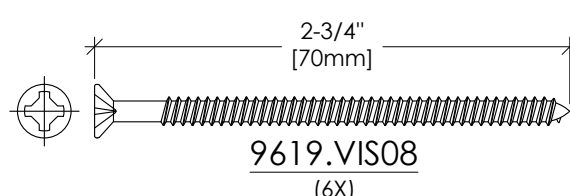


Impact
(1X)



Screwdriver Bit
(1X)

 08375.58.SACn1.3V : FRAME & SASH Hardware bag



9619.VIS08
(6X)



Countersink
(for #8 screw)
(min.1X)

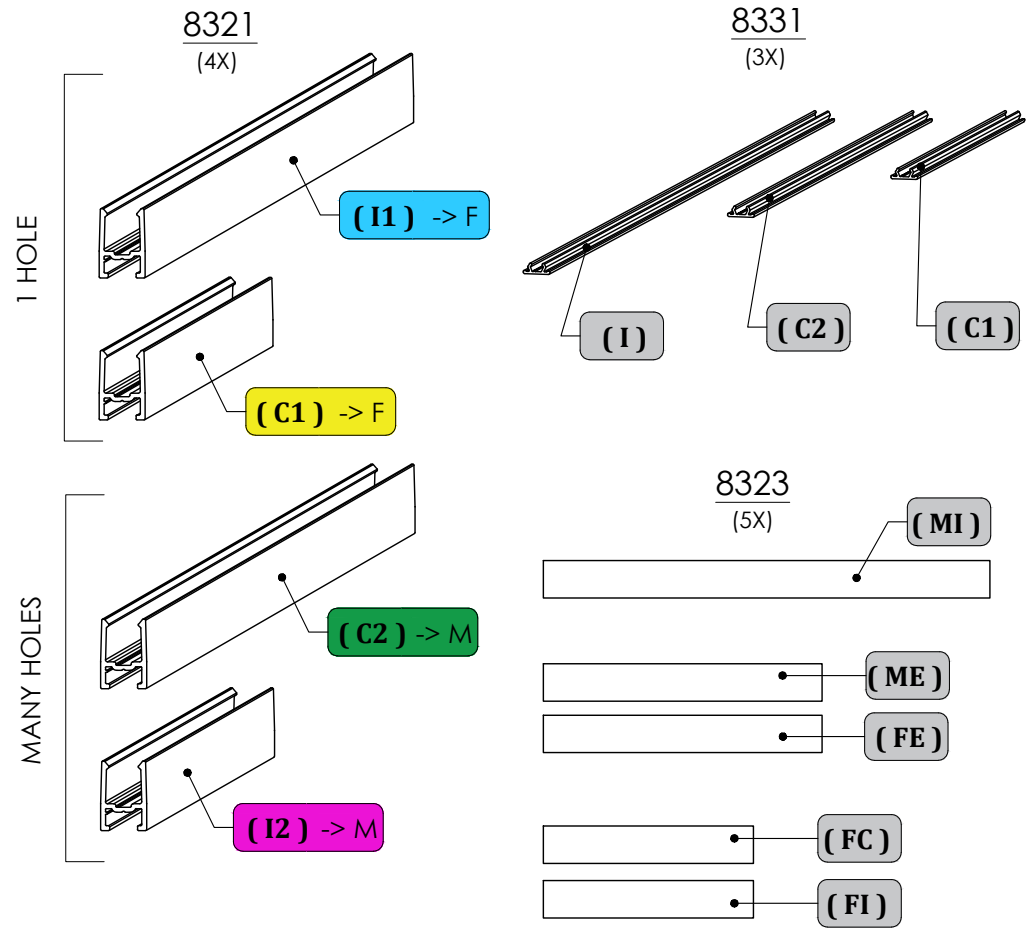
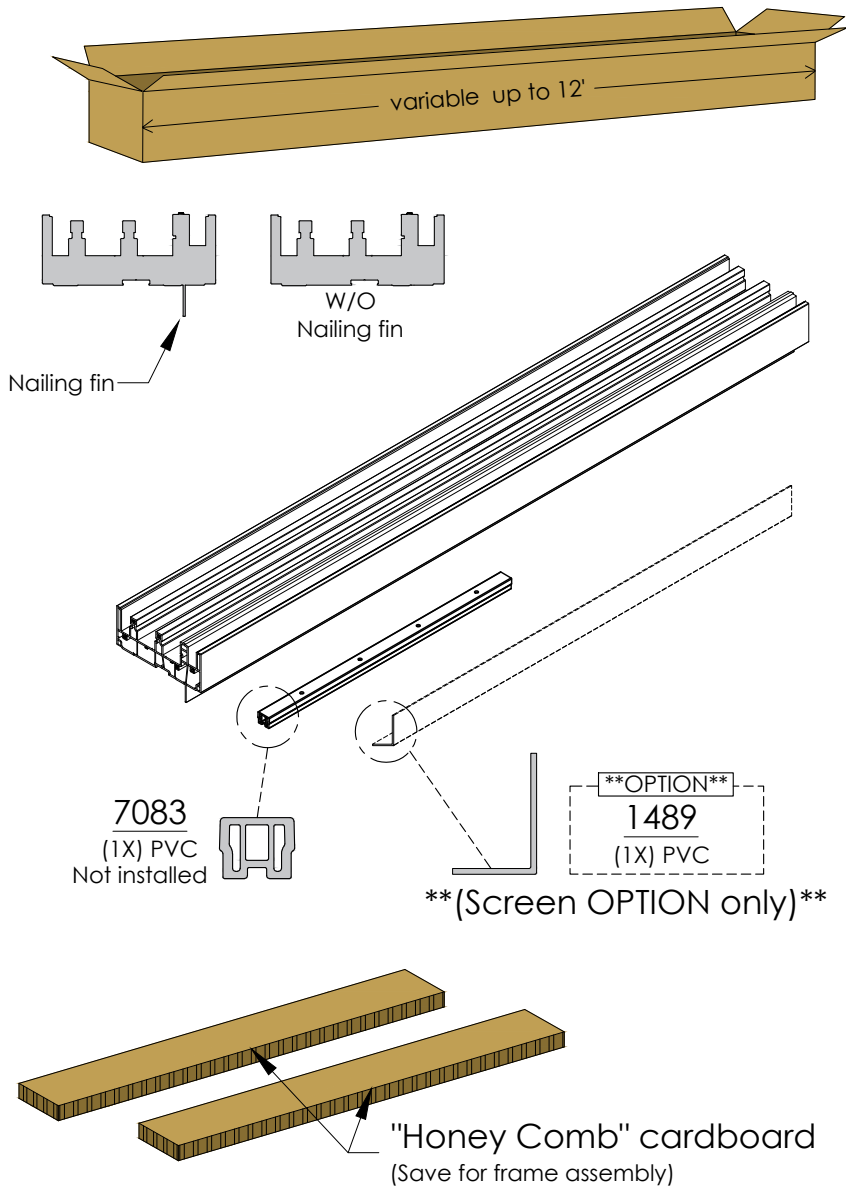


STEP:
2

(Continued) Validation of HEAD Box & Preparation

REVISION:
2020/05/26

PAGE:
P6



A Save components 8321 - 8323 - 8331 into the Head box for further installation. (See Step 8 to 15)

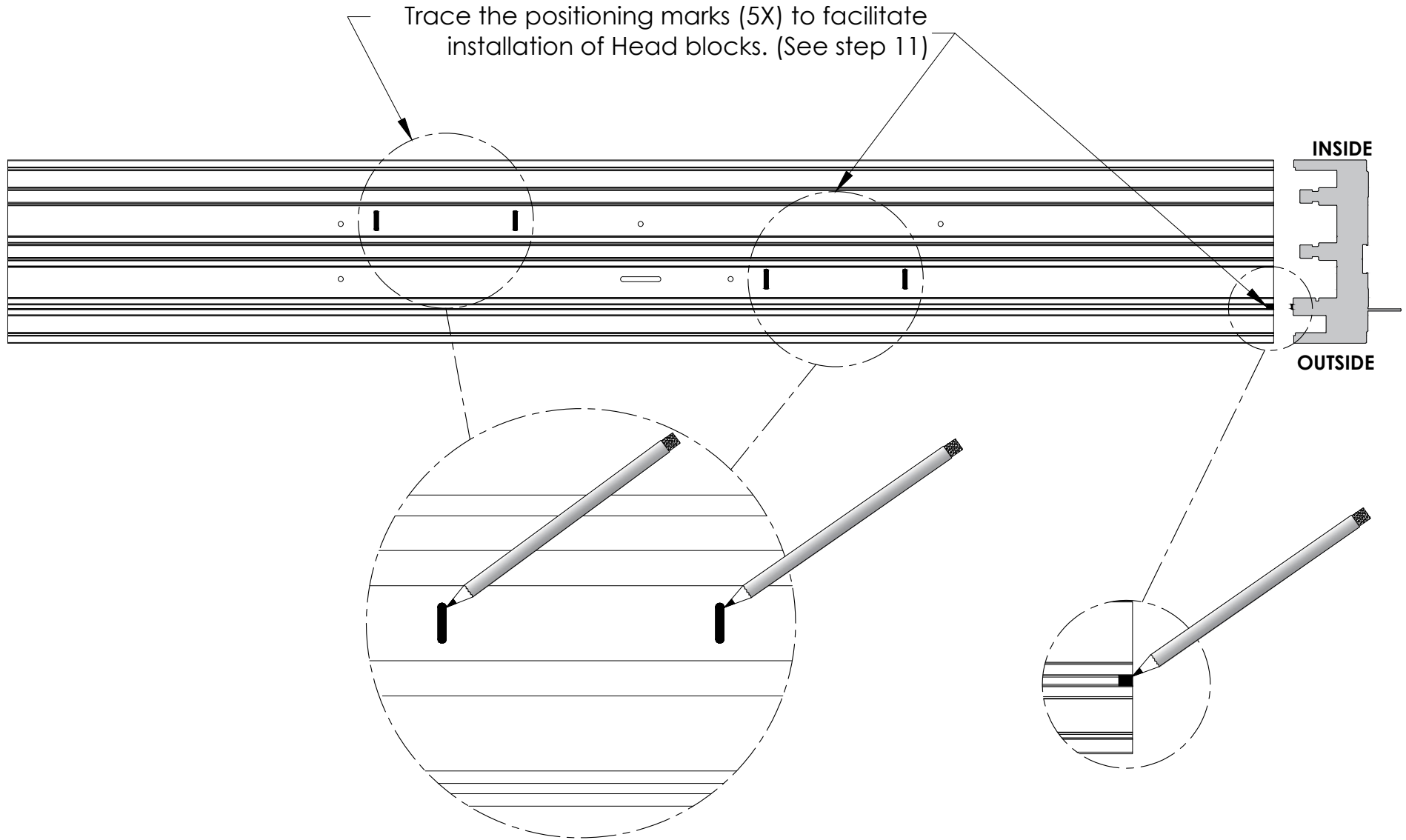
****If Screen OPTION**** : Save also component 1489 for further installation. (See Step 21)



(Continued) Validation of HEAD Box & Preparation

REVISION:
2020/05/26

PAGE:
P7



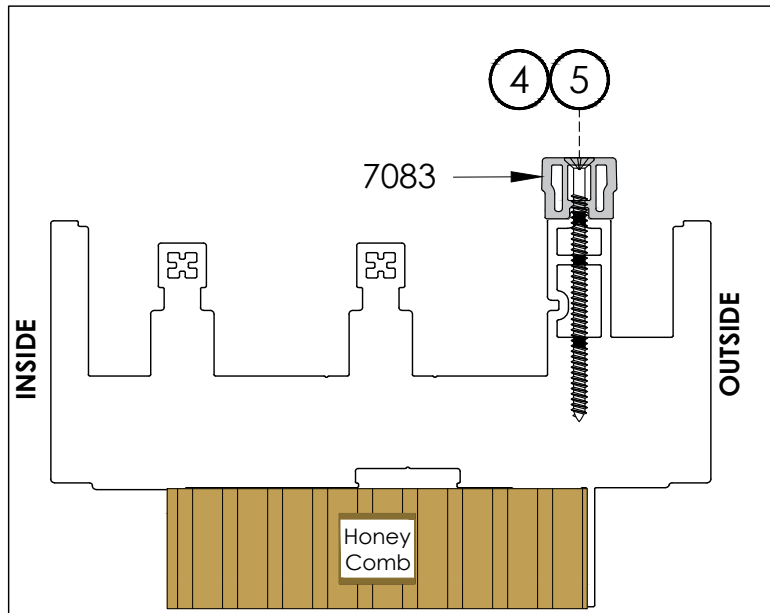
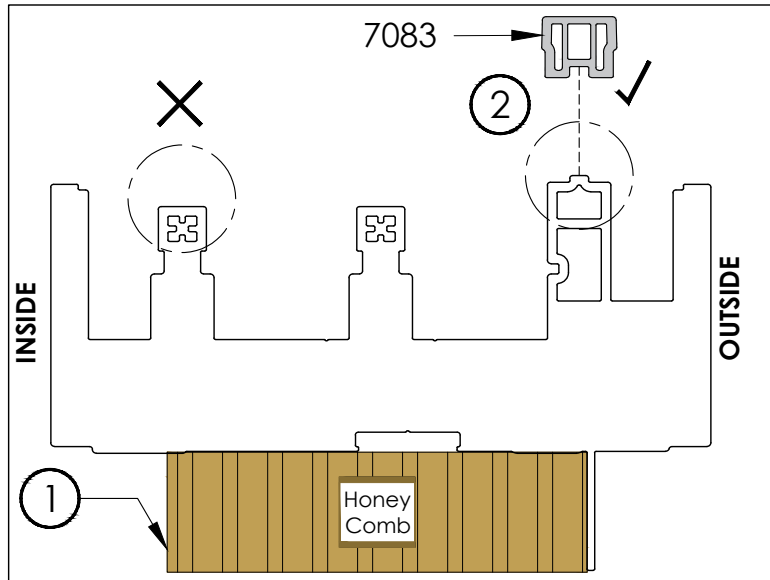


STEP:
2

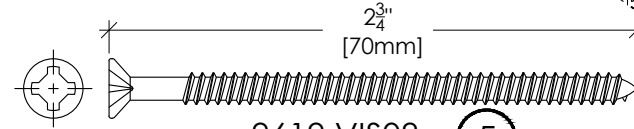
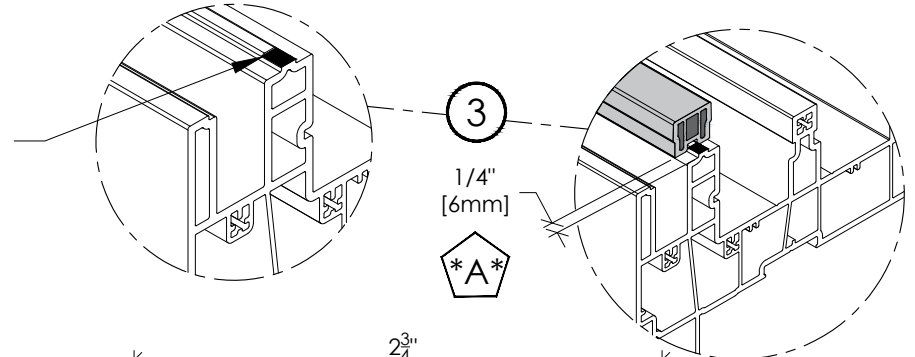
(Continued) Validation of HEAD Box & Preparation

REVISION:
2020/05/26

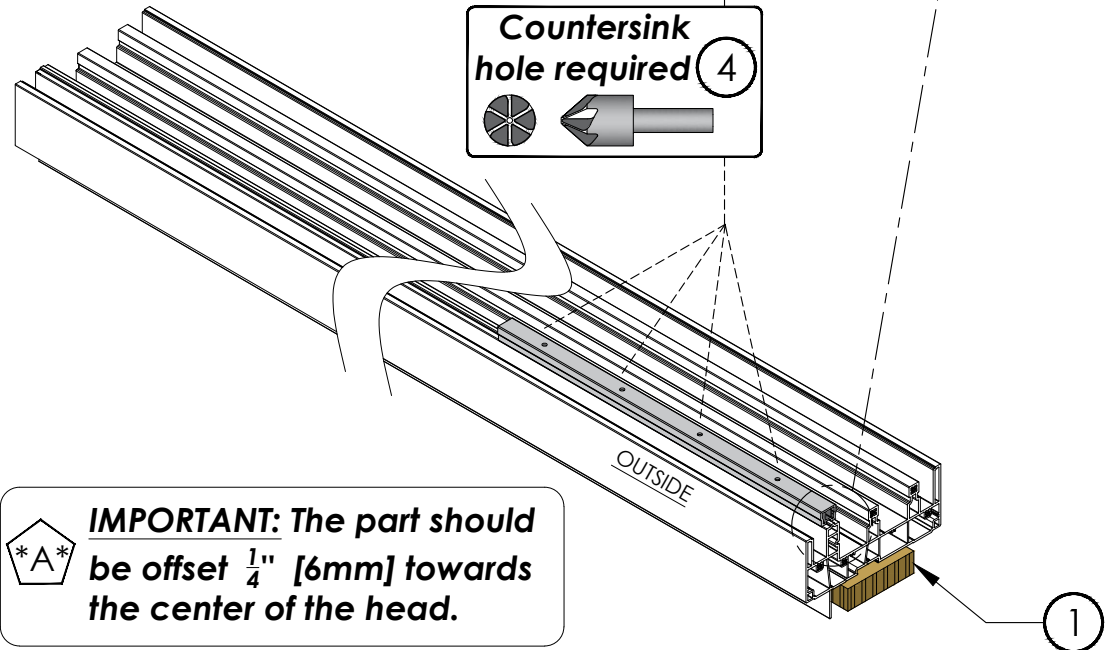
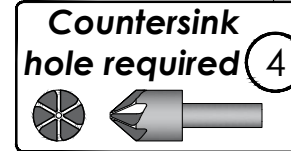
PAGE:
P8



FLUSH
with
MARK



9619.VIS08
(4X - 6X)



IMPORTANT: The part should be offset $\frac{1}{4}$ " [6mm] towards the center of the head.

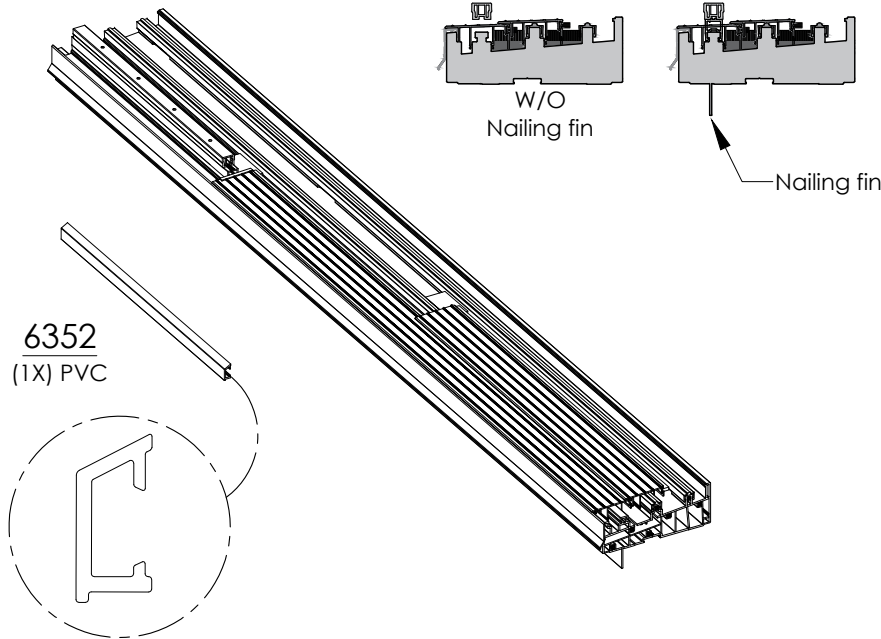
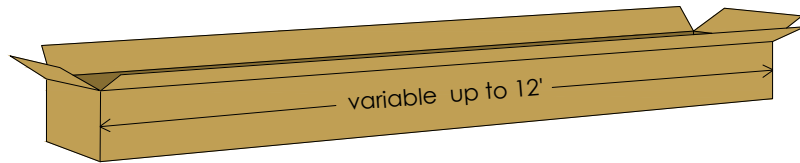


STEP:
3

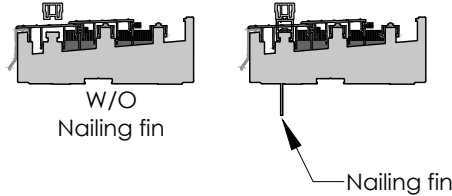
Validation of SILL Box & Preparation

REVISION:
2020/05/26

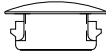
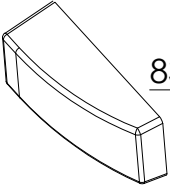

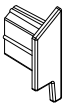
PAGE:
P9



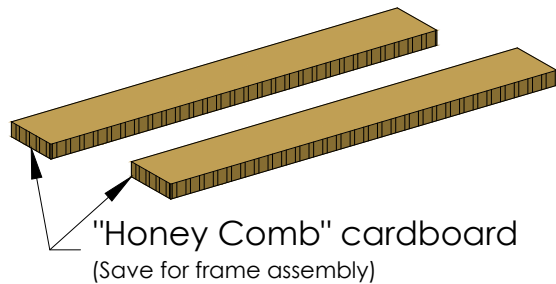
6352
(1X) PVC



*OPTION if painted door:
The red bag contains the
painted hardwares.

INSIDE PAINT		
	9667.CAPUC (4X)	8389.CAPEV (1X)
OUTSIDE PAINT		
	8395.58 CAPVS.G (1X)	8395.58. CAPVS.D (1X)

not required OXX



"Honey Comb" cardboard
(Save for frame assembly)

- Save component 6352 into the HEAD box for further installation. (See Step 17)
- If door is painted: save also the red bag.

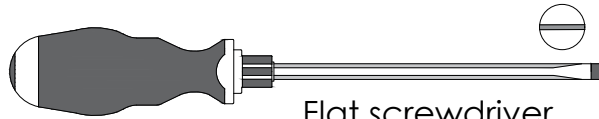


STEP:
3

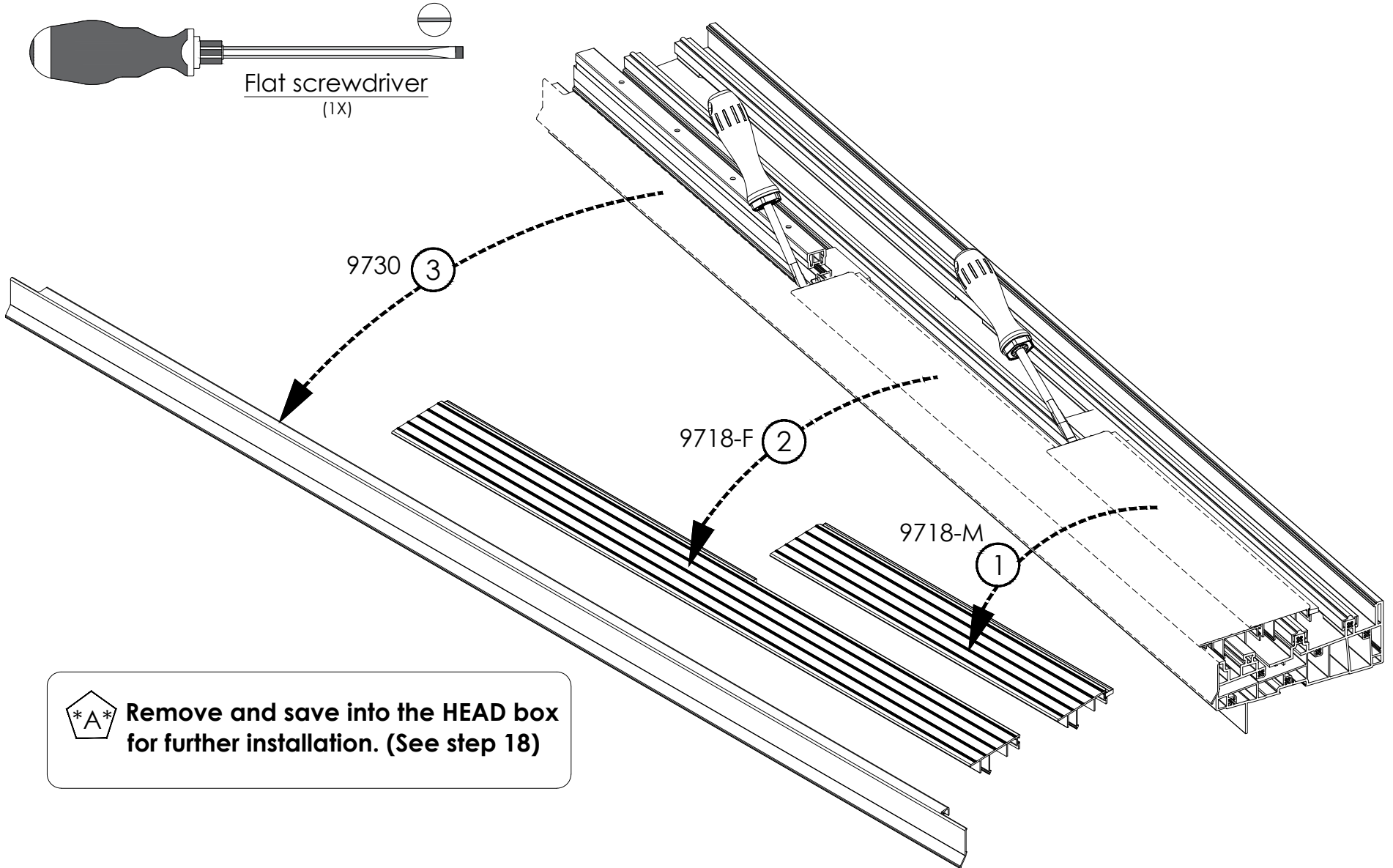
(Continued) Validation of SILL Box & Preparation

REVISION:
2020/05/26

PAGE:
P10



Flat screwdriver
(1X)



A Remove and save into the HEAD box for further installation. (See step 18)

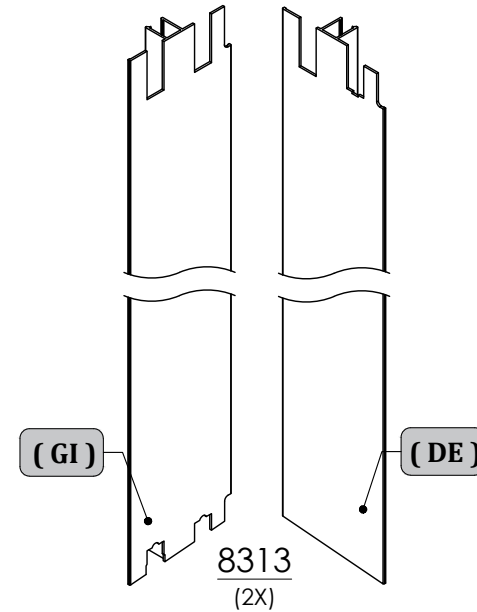
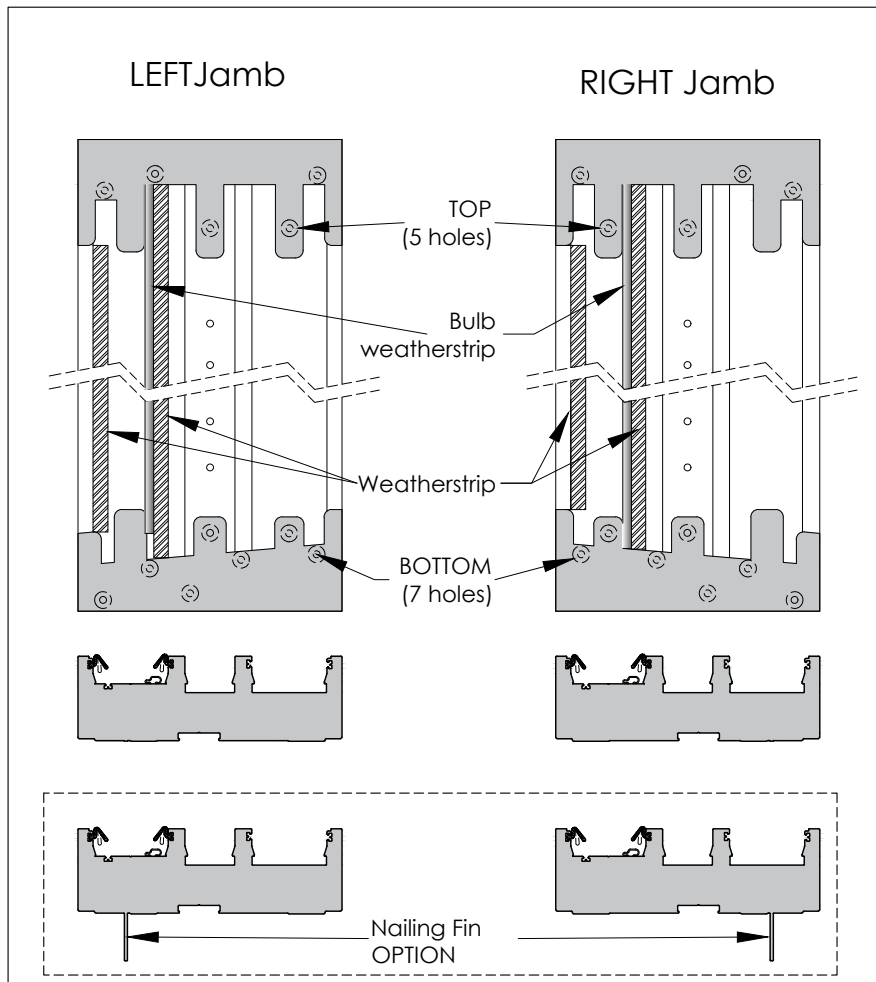
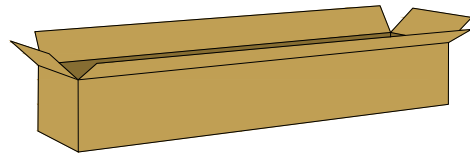


STEP: **4**

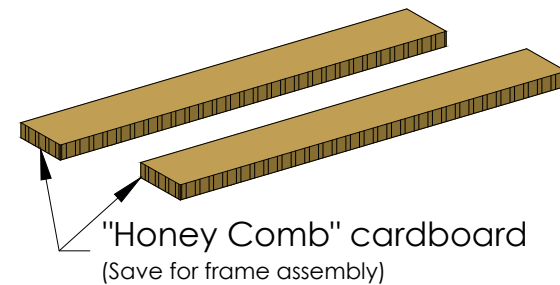
Validation of JAMBS Box

REVISION: 2020/05/26

PAGE: P11



A Save components 8313 into the HEAD box for further installation. (See Step 12 & 19)





STEP:
5

Frame Assembly

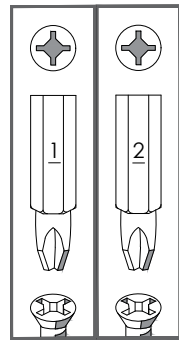
REVISION:
2020/05/26

PAGE:
P12

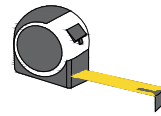
Tools and hardware required for this step



Impact
(1X)



Screwdriver Bits
(2X)



Measuring Tape
(1X)



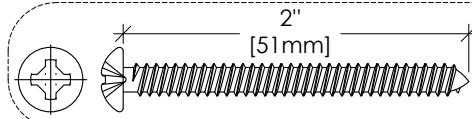
Screwdriver Bit
Quadrex 6" #2 (1X)



Pencil
(1X)



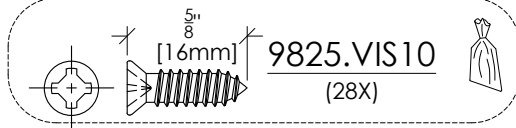
08375.58.SACn1.3V : FRAME & SASH Hardware bag



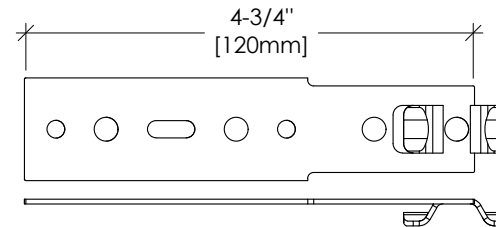
8942.VIS10
(24X)



09750.00.INST.3VMP : Installation bag



9825.VIS10
(28X)



9859
(14X)

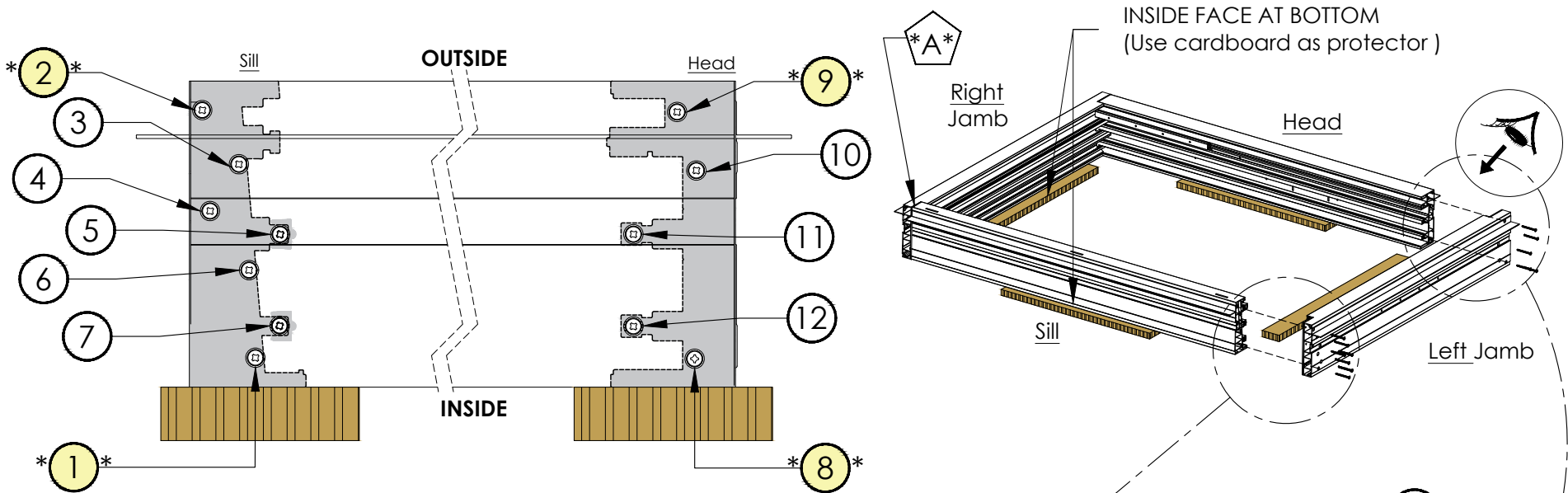


STEP:
5

(Continued) Frame Assembly

REVISION:
2020/05/26

PAGE:
P13

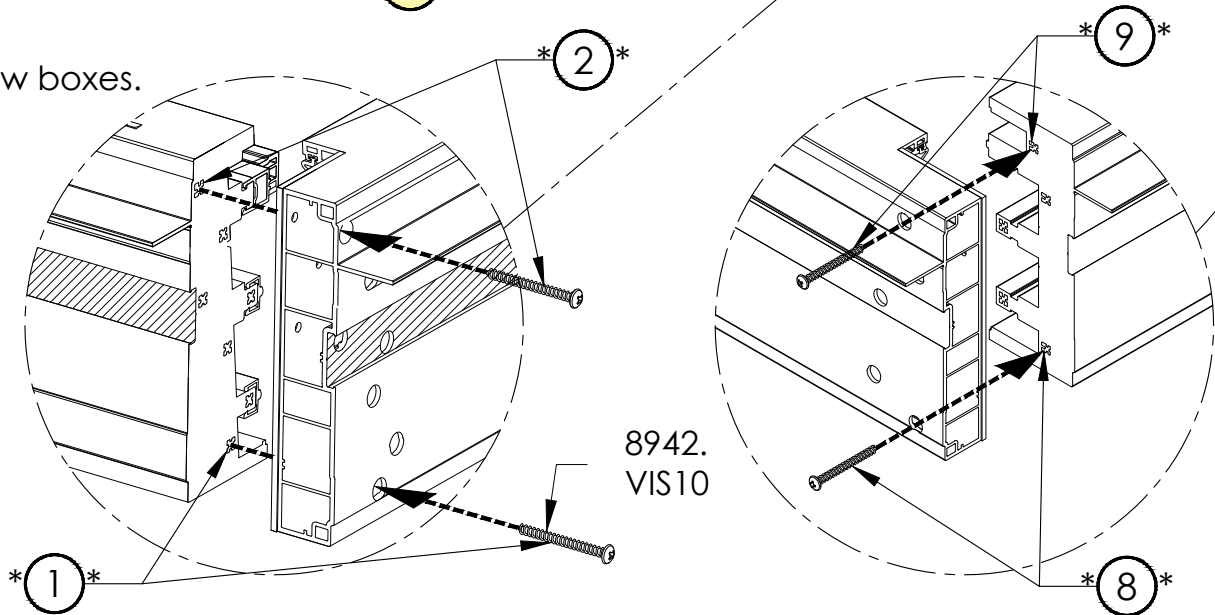


**Start fastening to only align screw boxes.
Sill:(1 & 2) / Head:(8 & 9)

(Do not completely fastening until all screws are inserting)

A

IMPORTANT:
Make sure all corners are squared and face are aligned when fastening.





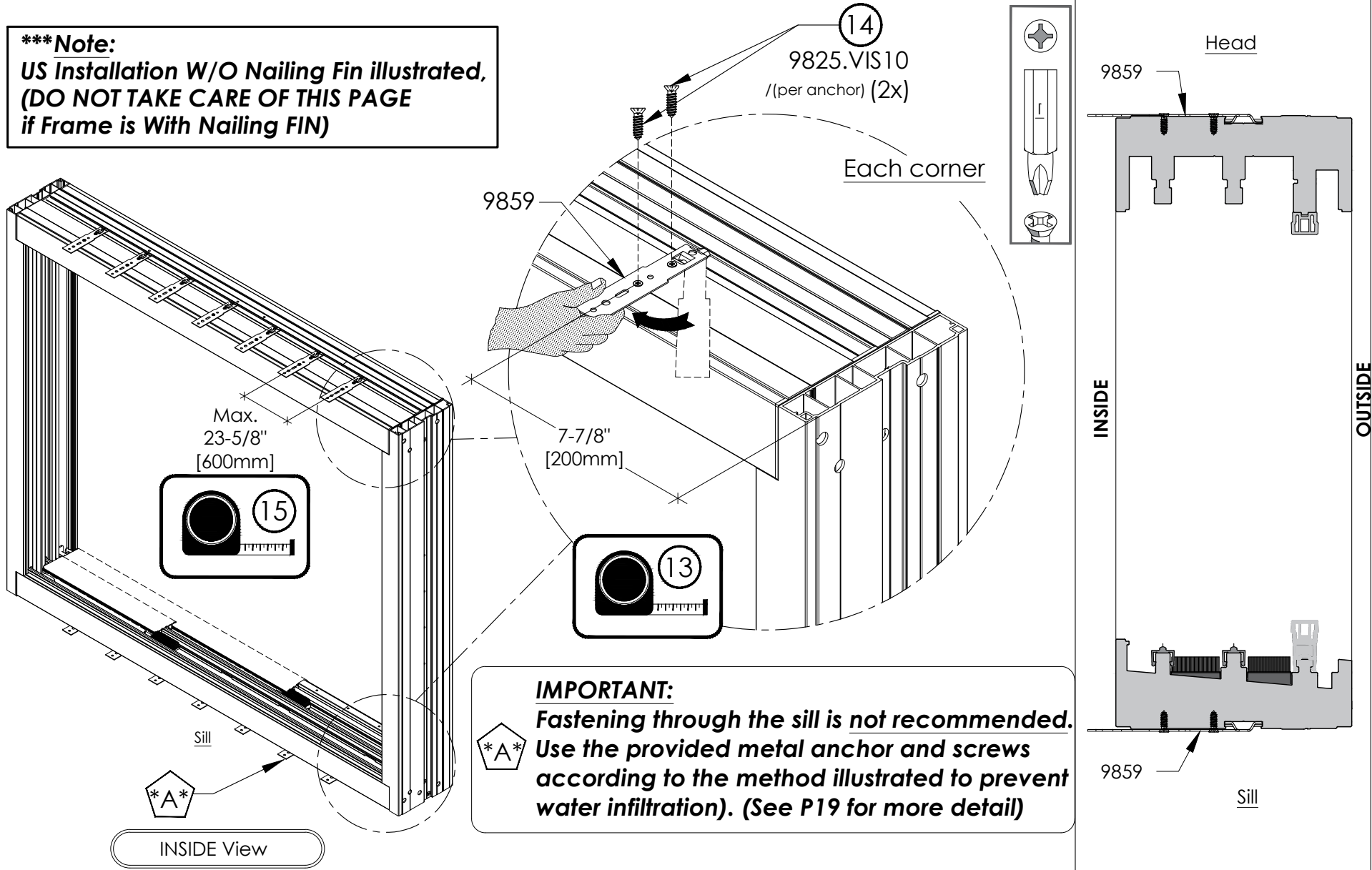
STEP:
5

(Continued) Frame Assembly

REVISION:
2020/05/26

PAGE:
P14

*****Note:**
US Installation W/O Nailing Fin illustrated,
(DO NOT TAKE CARE OF THIS PAGE
if Frame is With Nailing FIN)



IMPORTANT:
Fastening through the sill is not recommended.
Use the provided metal anchor and screws
according to the method illustrated to prevent
water infiltration). (See P19 for more detail)





STEP:
6

Installation of the Frame

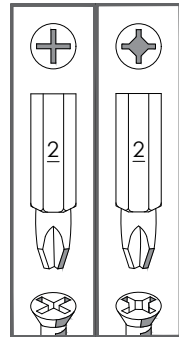
REVISION:
2020/05/26

PAGE:
P15

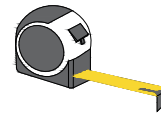
Tools and hardware required for this step



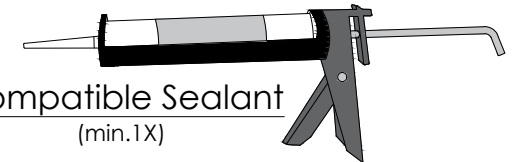
Impact
(1X)



Screwdriver Bits
(2X)



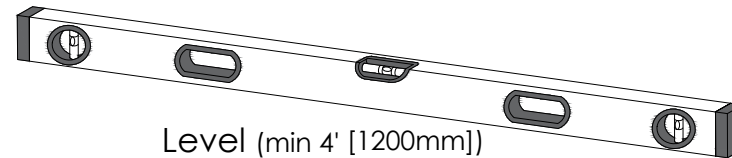
Measuring Tape
(1X)



Compatible Sealant
(min.1X)



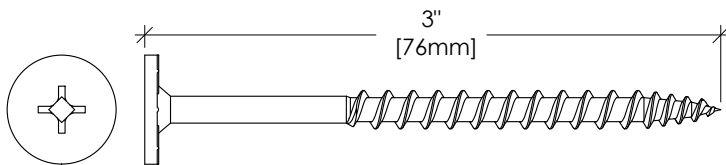
Screwdriver Bit
Quadrex 6" #2 (1X)



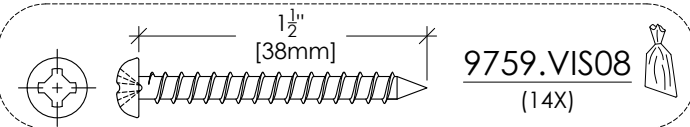
Level (min 4' [1200mm])
(1X)



09750.00.INST.3VMP : Installation bag



9683.VIS10
(14X)



9759.VIS08
(14X)



IMPORTANT:
**Hardwares are provided for
Installation in Wood box.**
**For concrete application:
screws are NOT provided.**



STEP:
6

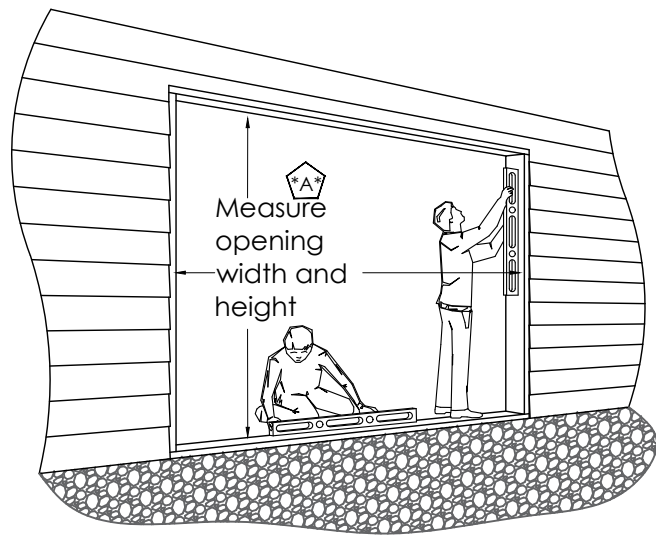
(Continued) Installation of the Frame

REVISION:
2020/05/26

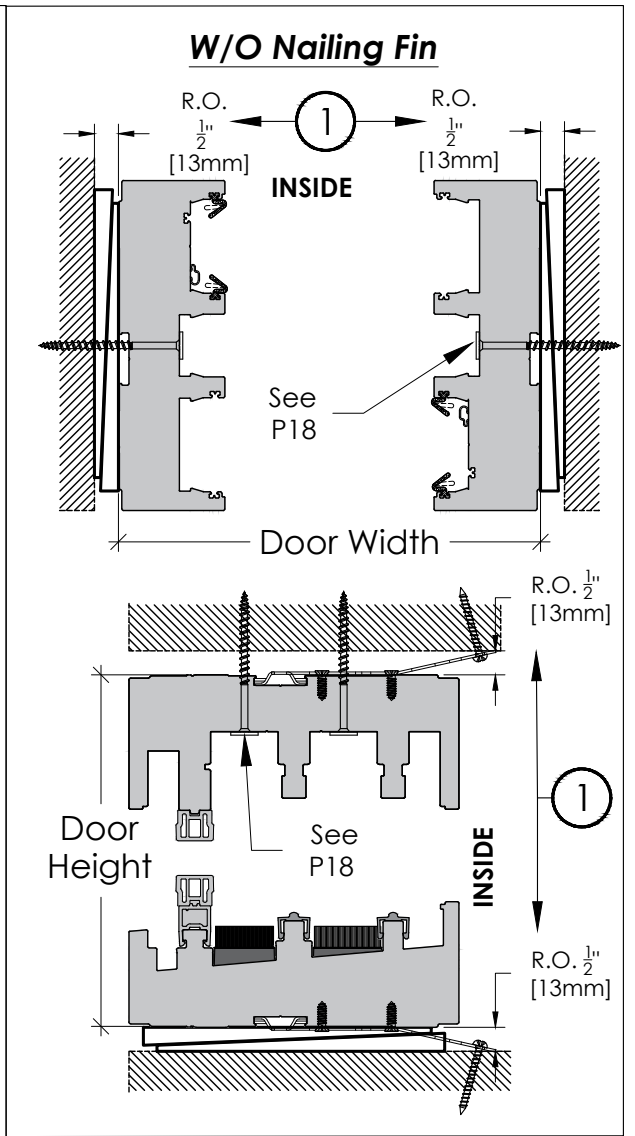
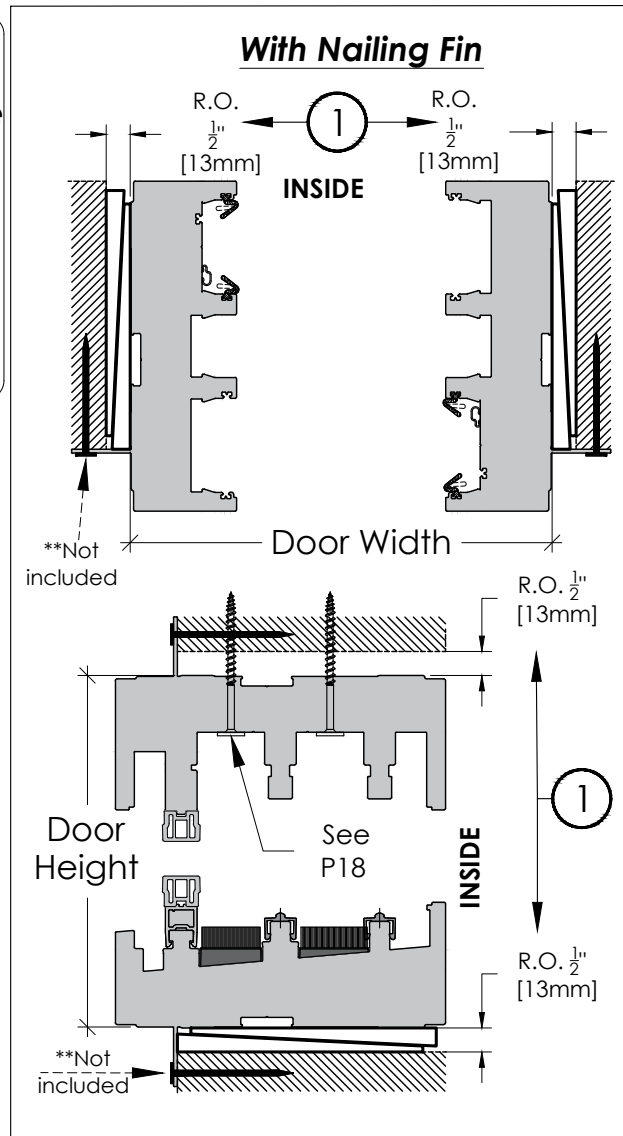
PAGE:
P16

****** CAUTION: The product must be installed in conformance with the following standards USA: AAMA 2400, AAMA 2410 and IPCB.**

****** Be sure to also follow local applicable building code requirements. ******



1 An improper fit will impact the performance of the door. (too narrow or too large)



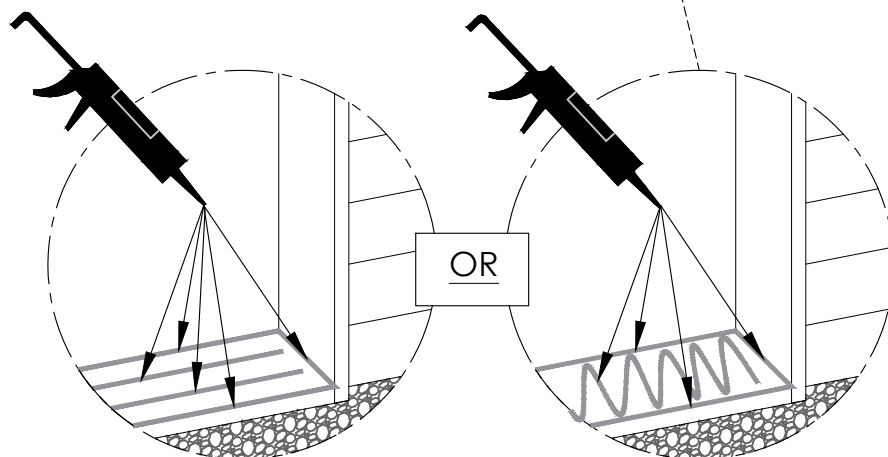
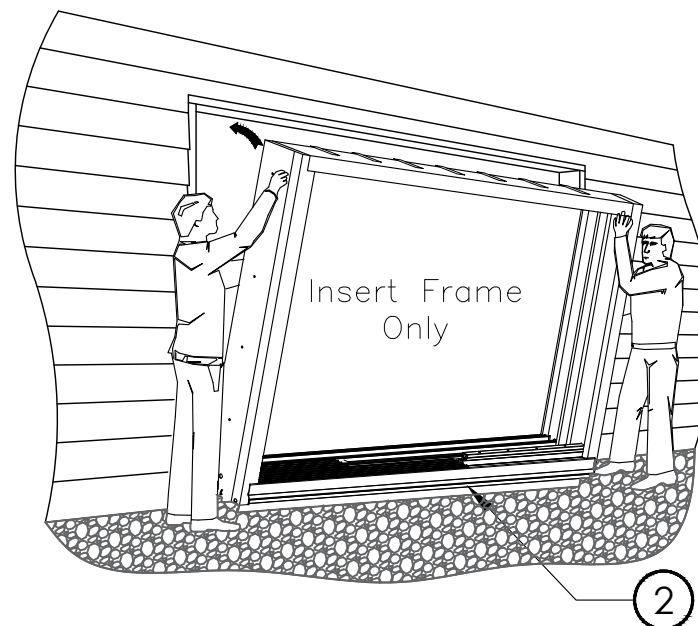
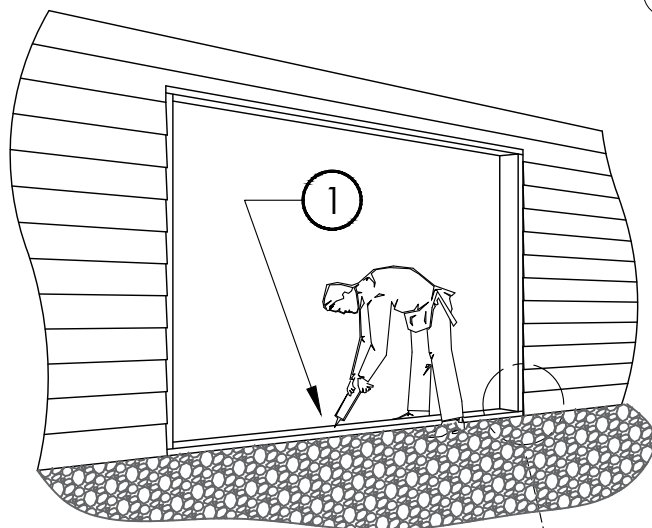
*****Note: US Installation illustrated*****





(Continued) Installation of the Frame

OUTSIDE View

Insert frame in the Rough Opening:

- 1) Apply generous bead of good quality sealant all along the sill.
(Min Sealant bead = $\frac{5}{8}$ " [15mm]).
- 2) Install the door frame in the opening, sill first.
***Make sure that the sealant joint is continuous and sufficient between the door sill and the floor.



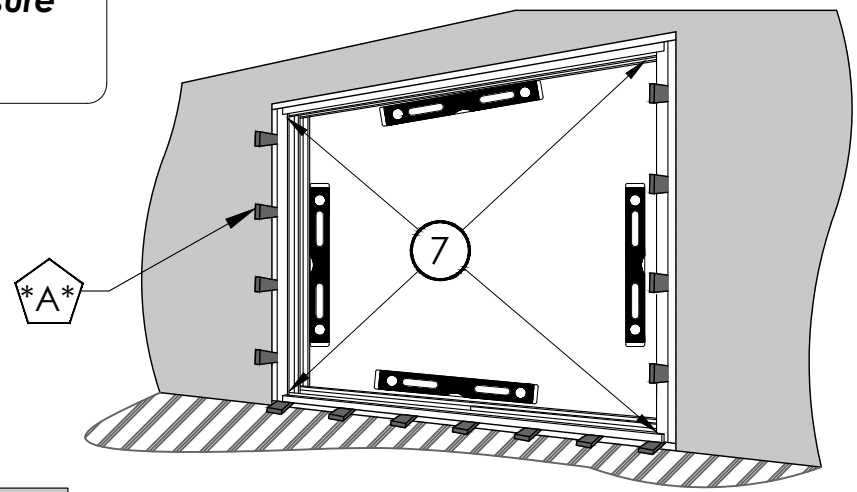
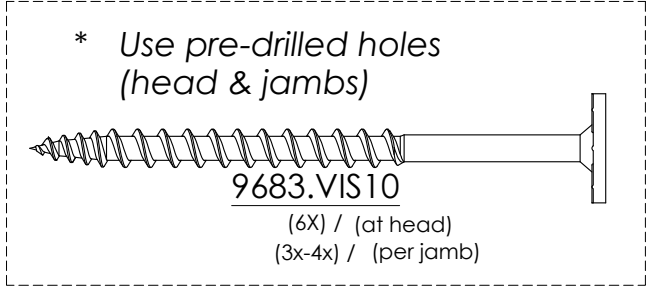
STEP:
6

(Continued) Installation of the Frame

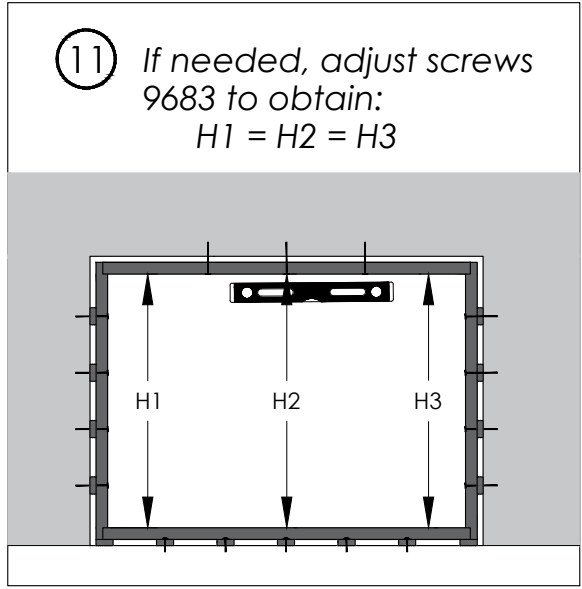
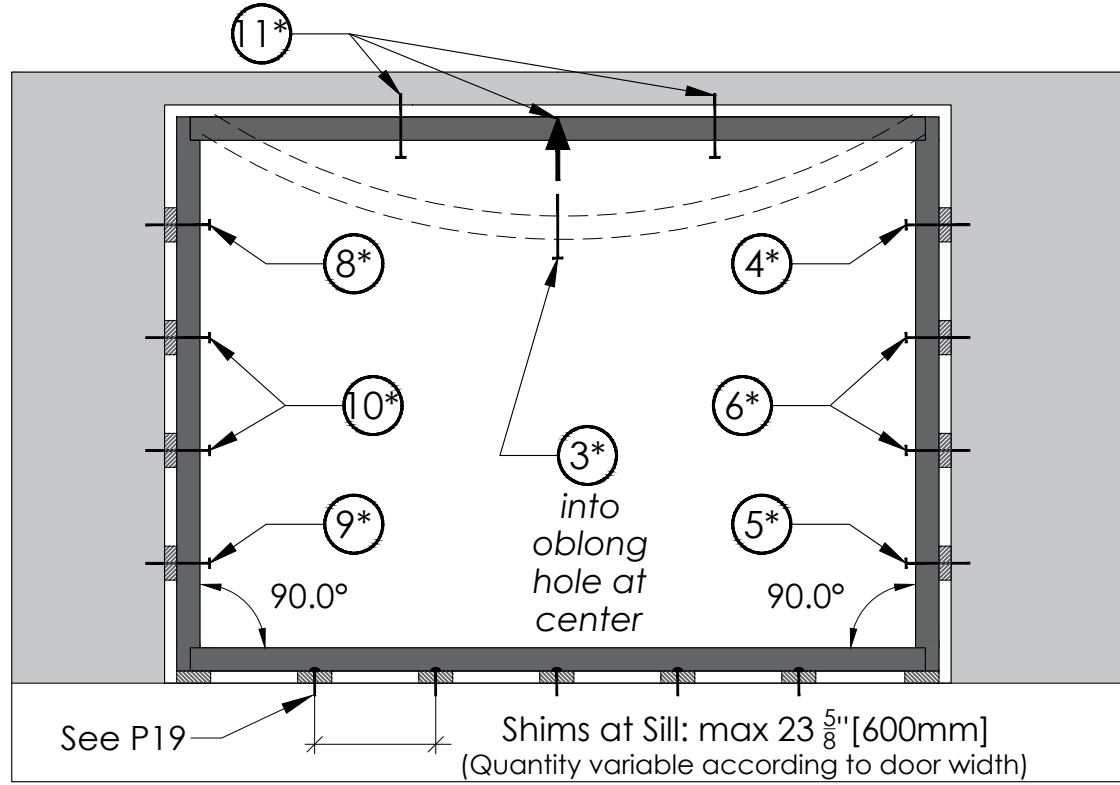
REVISION:
2020/05/26

PAGE:
P18

A **ATTENTION:** Improper shimming will bow the jambs. Make sure jambs are straight for optimal performance. (*Do not install Shims at header).



INSIDE View



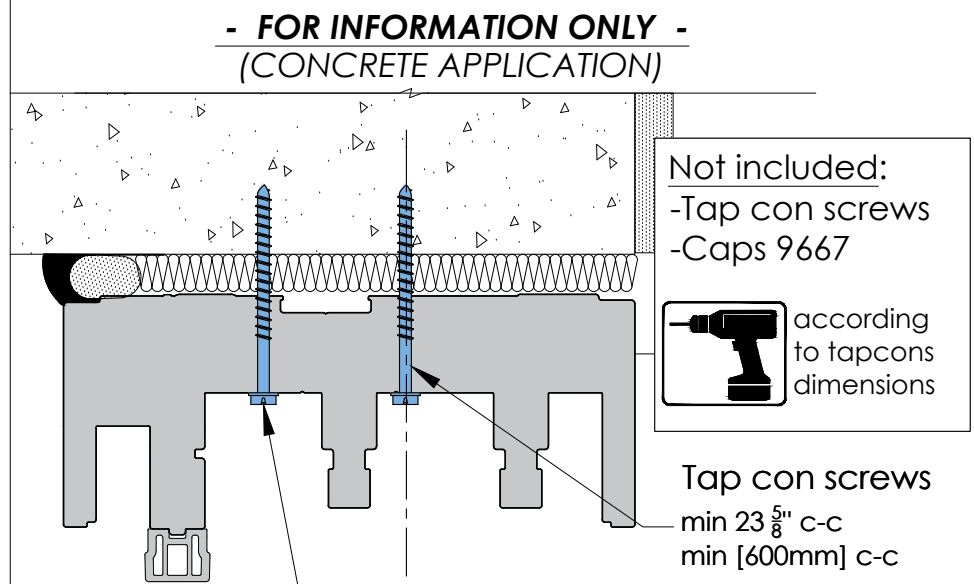
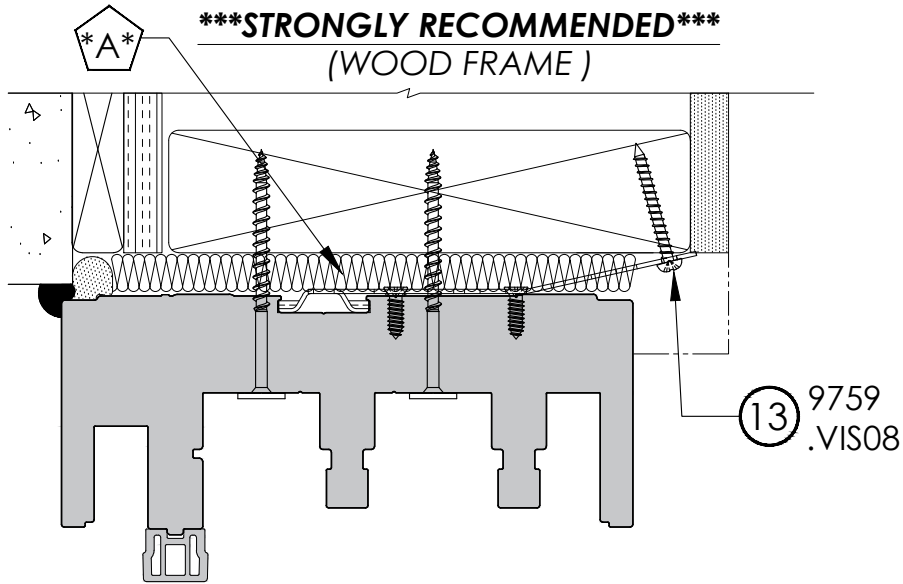


STEP:
6

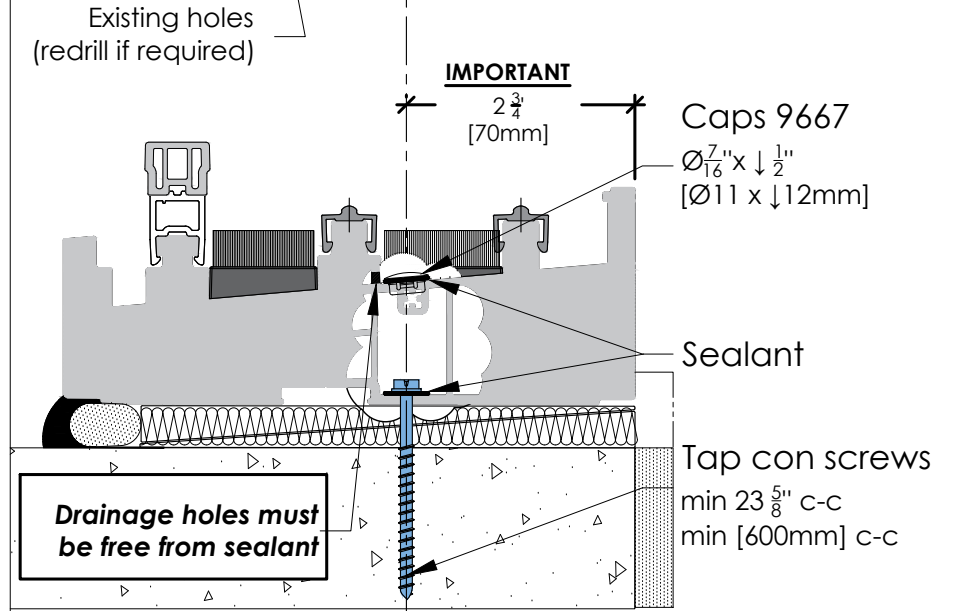
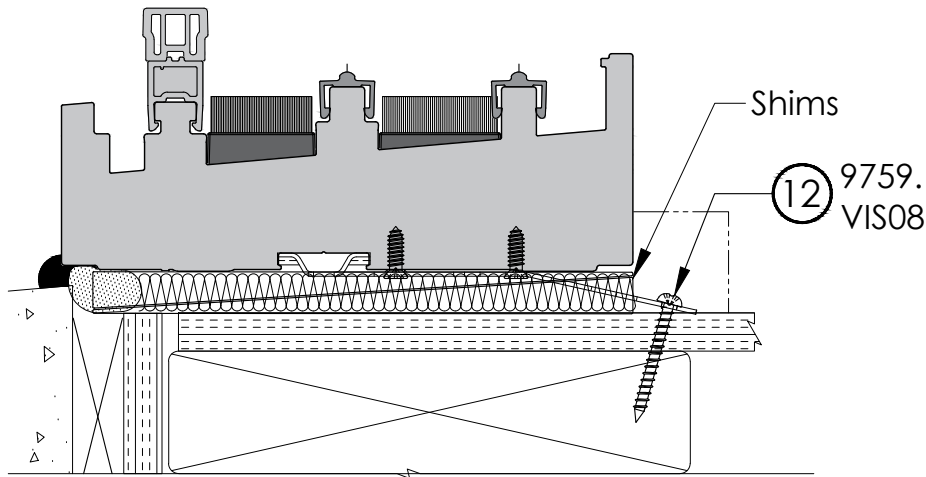
(Continued) Installation of the Frame

REVISION:
2020/05/26

PAGE:
P19



A Do not use shims at the header. A gap is necessary for building settlement.





STEP:
6

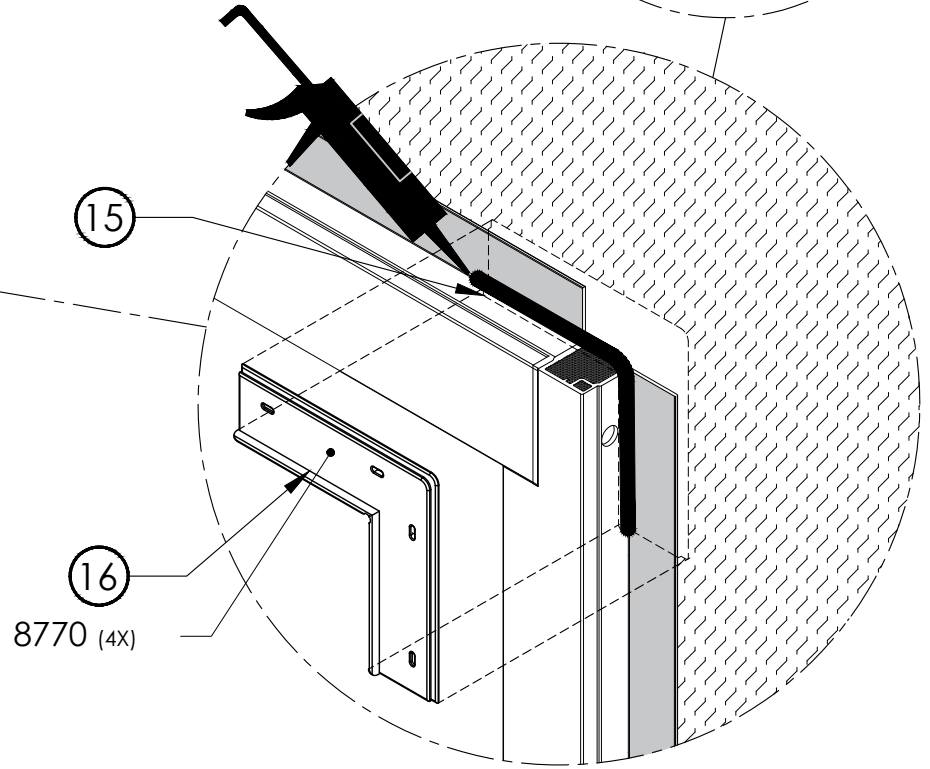
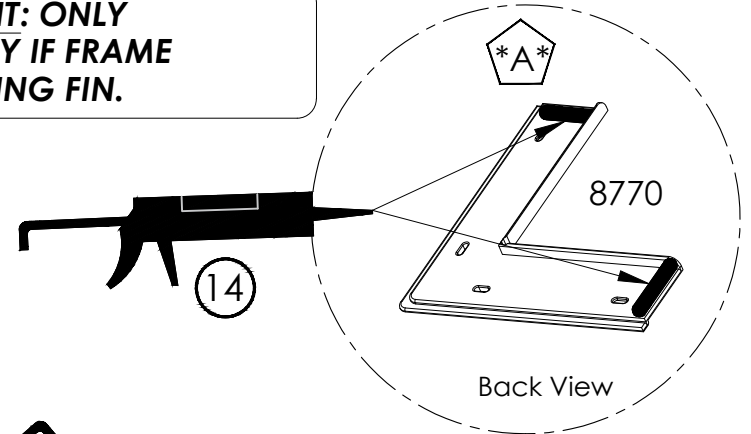
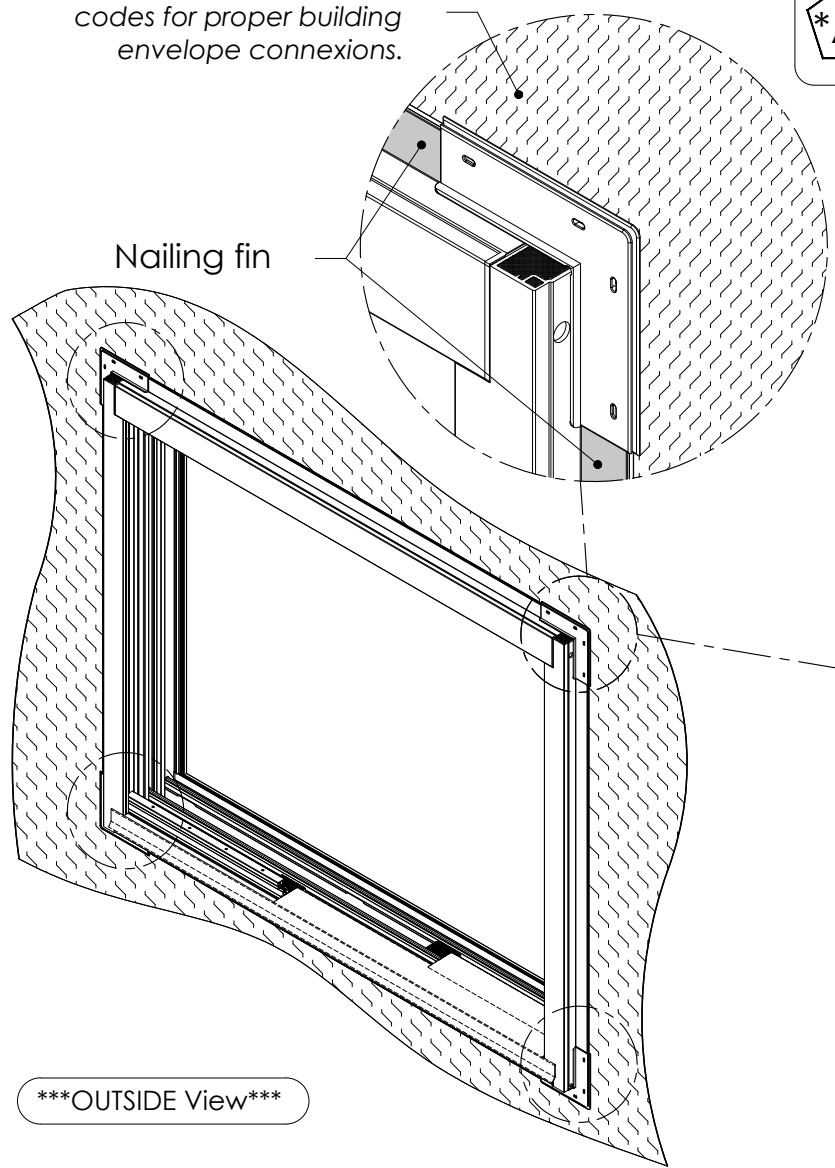
(Continued) Installation of the Frame

REVISION:
2020/05/26

PAGE:
P20

Please refer to the standards and codes for proper building envelope connexions.

A
IMPORTANT: ONLY NECESSARY IF FRAME WITH NAILING FIN.





STEP:
7

Installation of the Fixed Sash

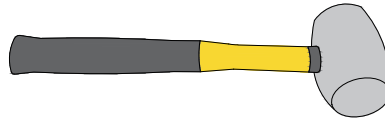
REVISION:
2020/05/26

PAGE:
P21

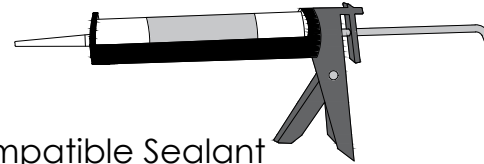
Tools and components required for this step



Impact
(1X)



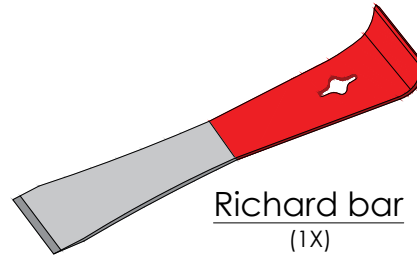
Rubber Mallet
(1X)



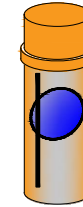
Compatible Sealant
(min.1X)



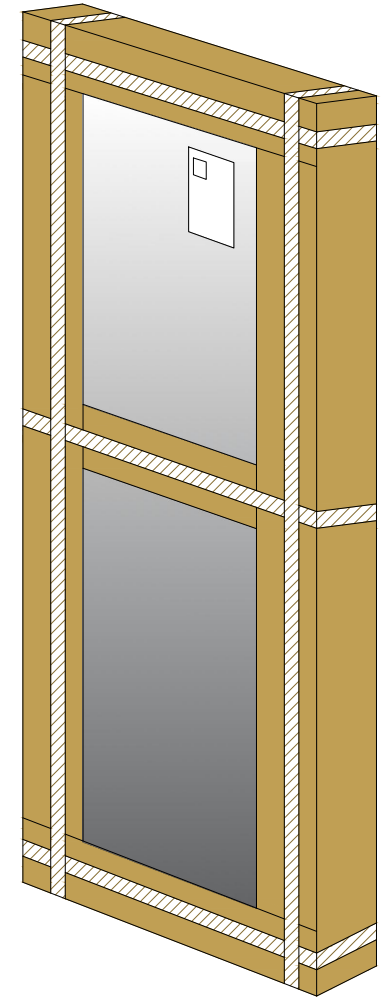
Screwdriver Bit
Quadrex 6" #2 (1X)



Richard bar
(1X)



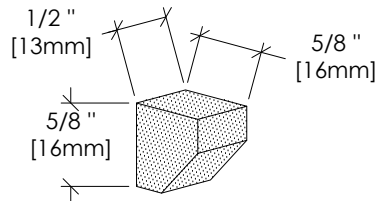
Invisible Lubricant
Silicone
(1X)



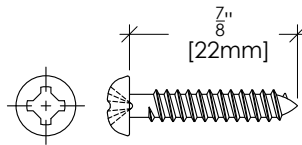
FIXED Sash Box
(1X)



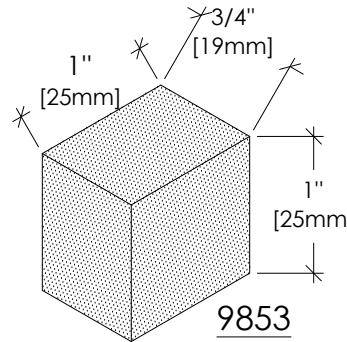
08375.58.SACn1.3V : FRAME & SASH Hardware bag



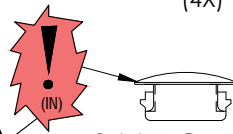
8784
(1X)



9876.VIS08
(4X)

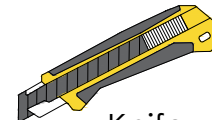


9853
(5X)

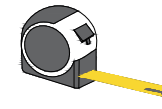


9667.CAPUC
(4X)

If painted door (IN=Inside), rather use parts on red bag in Sash box.



Knife
(1X)



Measuring Tape
(1X)



(Continued) Installation of the Fixed Sash

REVISION:
2020/05/26

PAGE:
P22

FIXED SASH Side

1/2" [3mm]
5/8" [16mm]
5/8" [16mm]
8784 45°
(1X)

INSIDE View

Note
This weatherstrip is not shown on Detail View to show the Bulb weatherstrip behind.

IMPORTANT:
Drainage holes must be free.

A
Pay attention to the angle on part 8784 when positioning.

INSIDE

Left

OUTSIDE

Left

MOBILE SASH Side

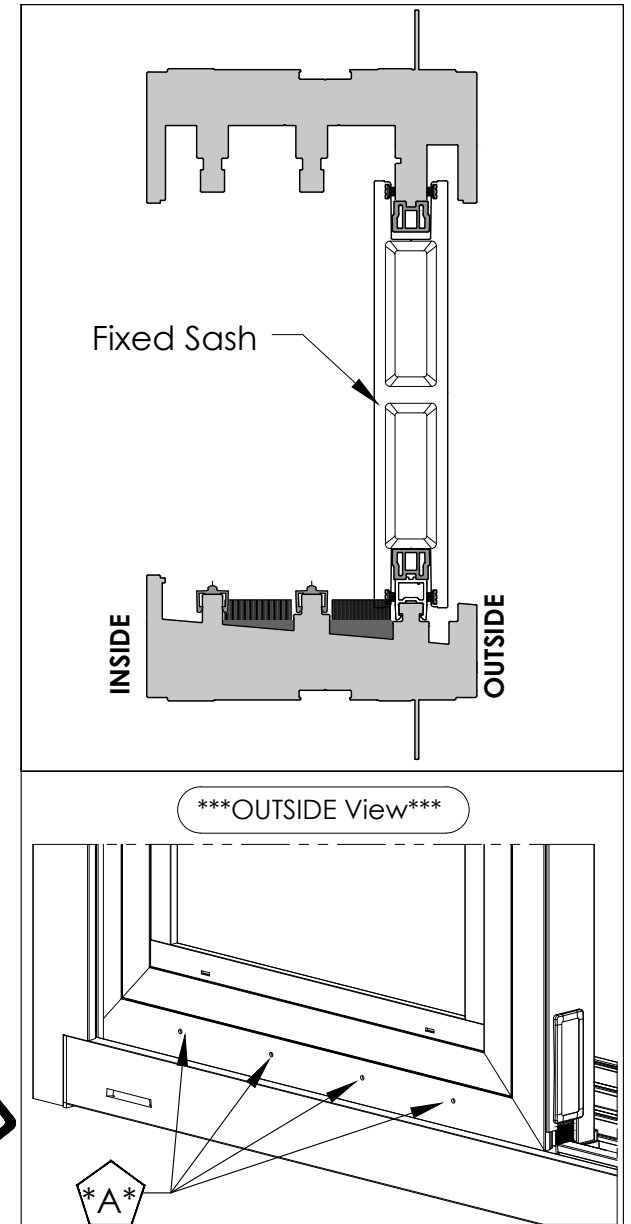
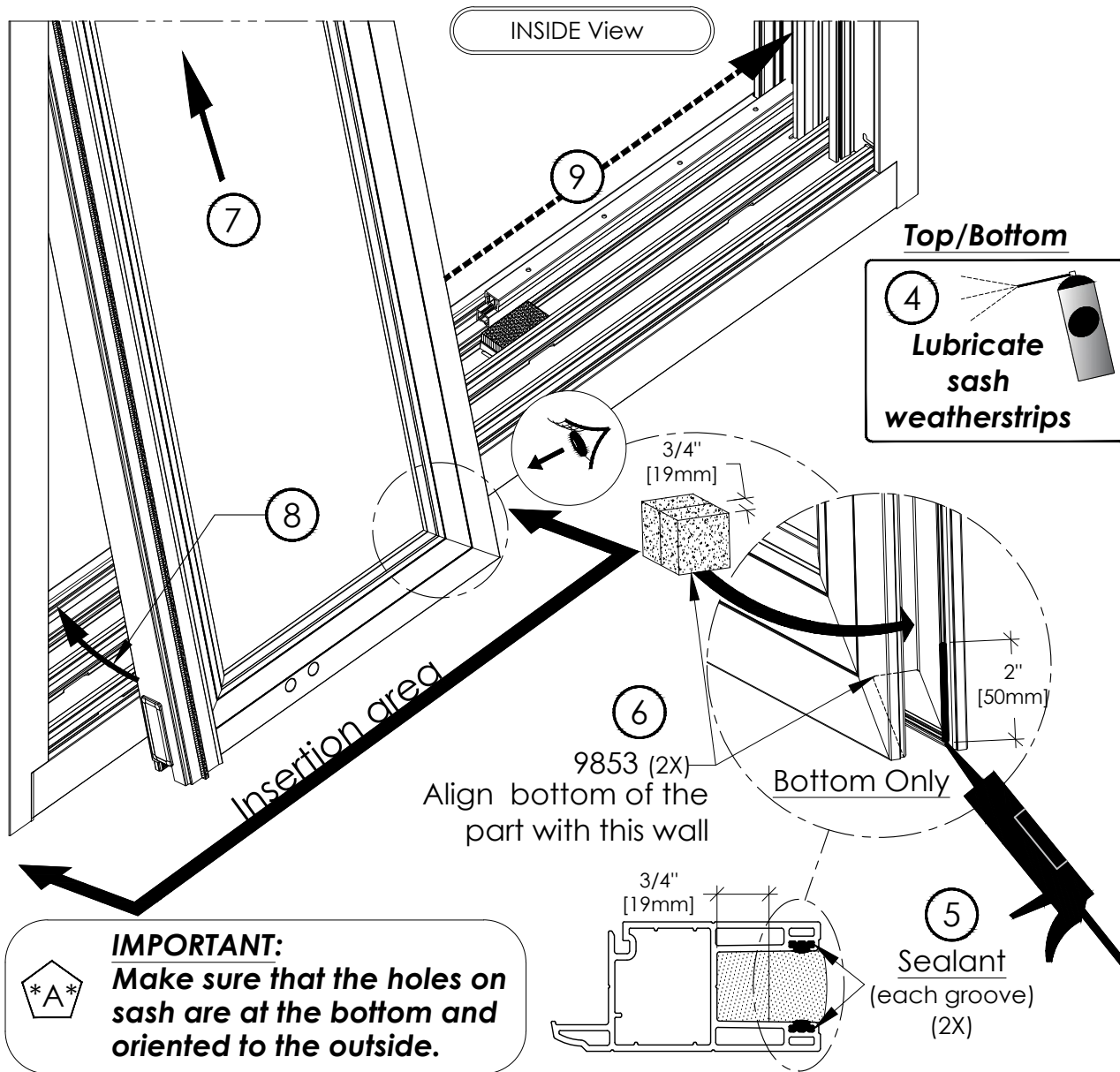
OUTSIDE View



(Continued) Installation of the Fixed Sash

REVISION: 2020/05/26

PAGE: P23

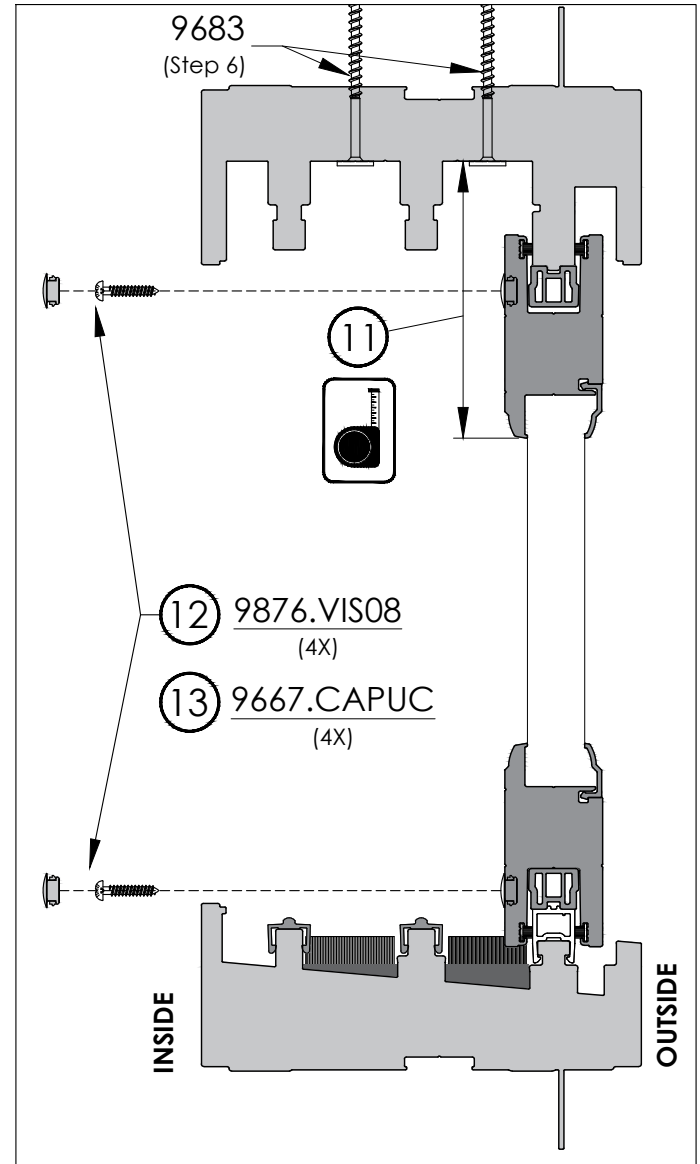
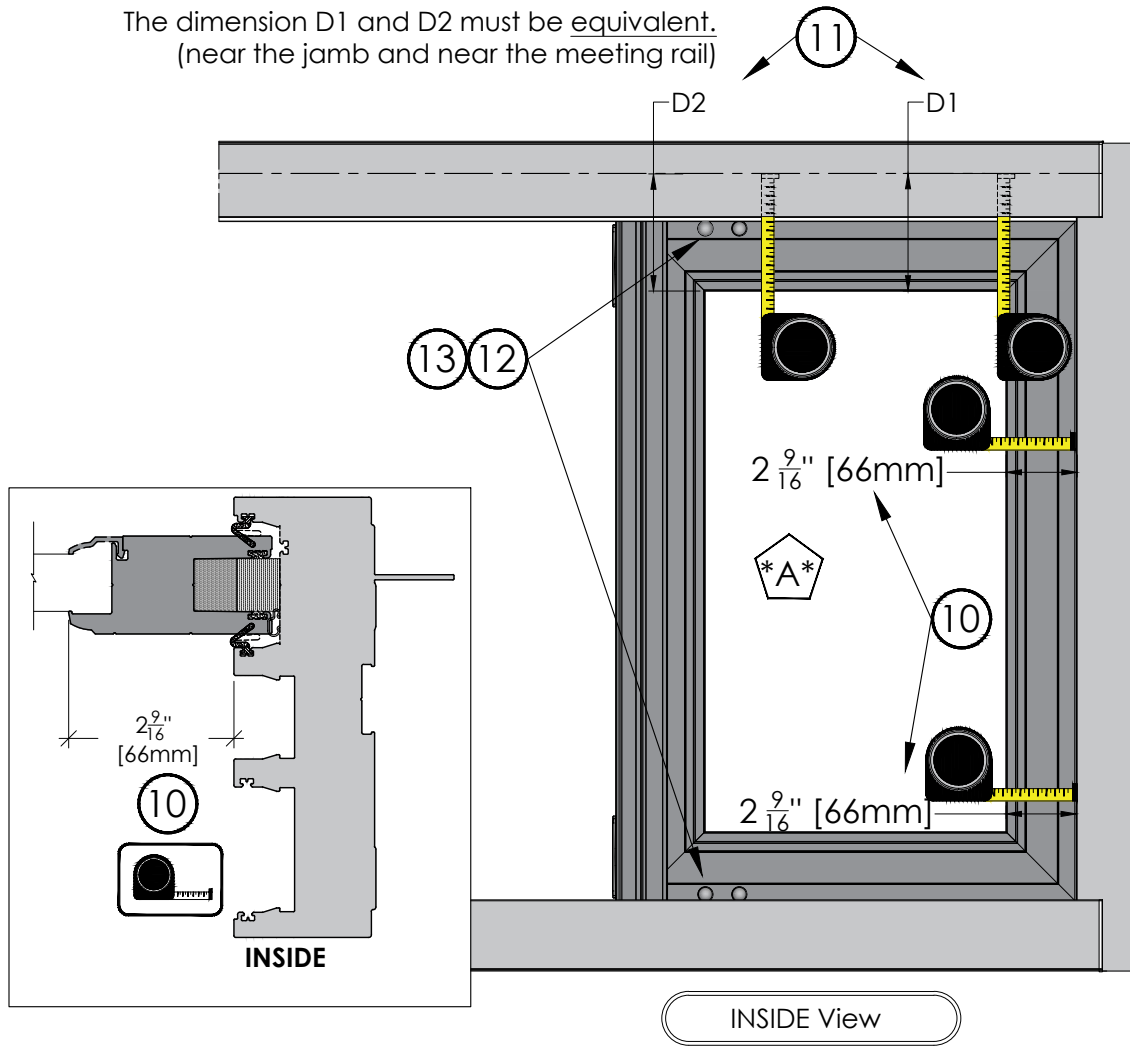




(Continued) Installation of the Fixed Sash

IMPORTANT:
Check the squaring of the sash before fastening. (If necessary, straighten the head with the adjustment screws 9683 - see step 6).

The dimension D1 and D2 must be equivalent.
(near the jamb and near the meeting rail)



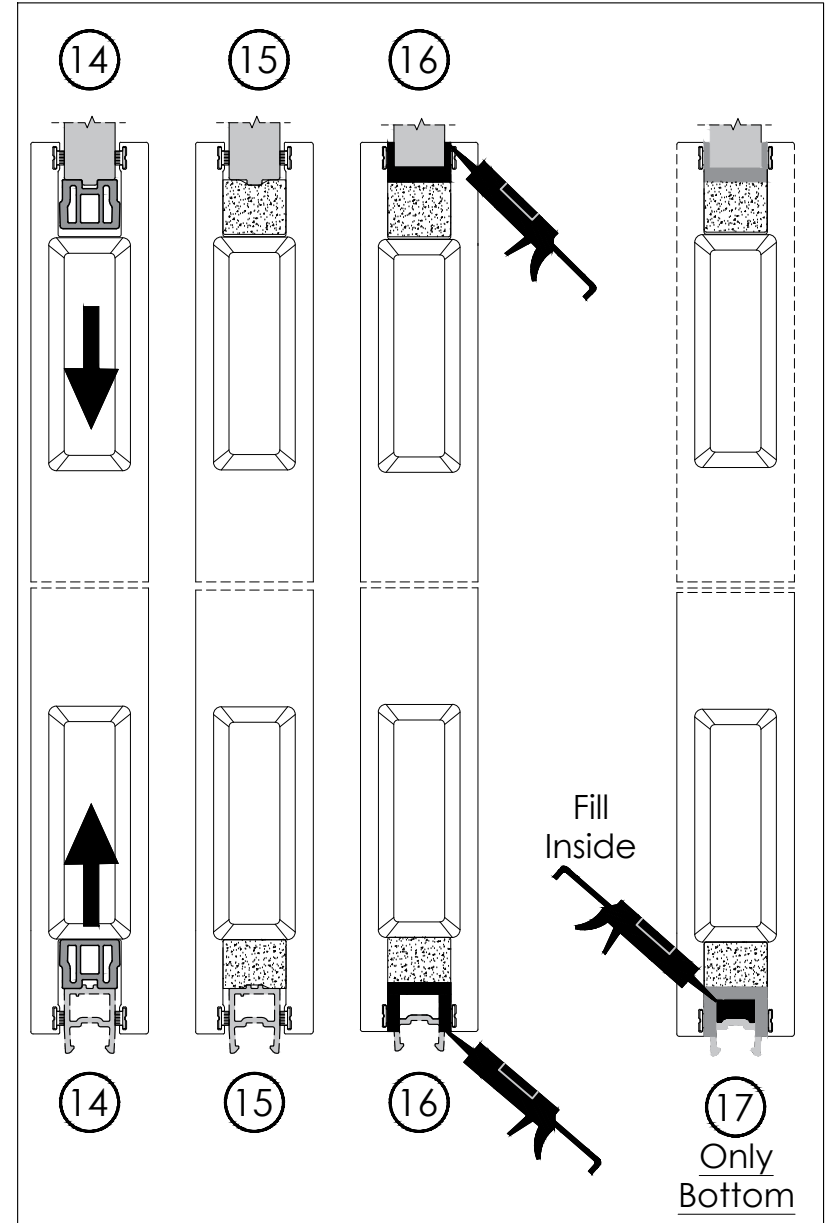
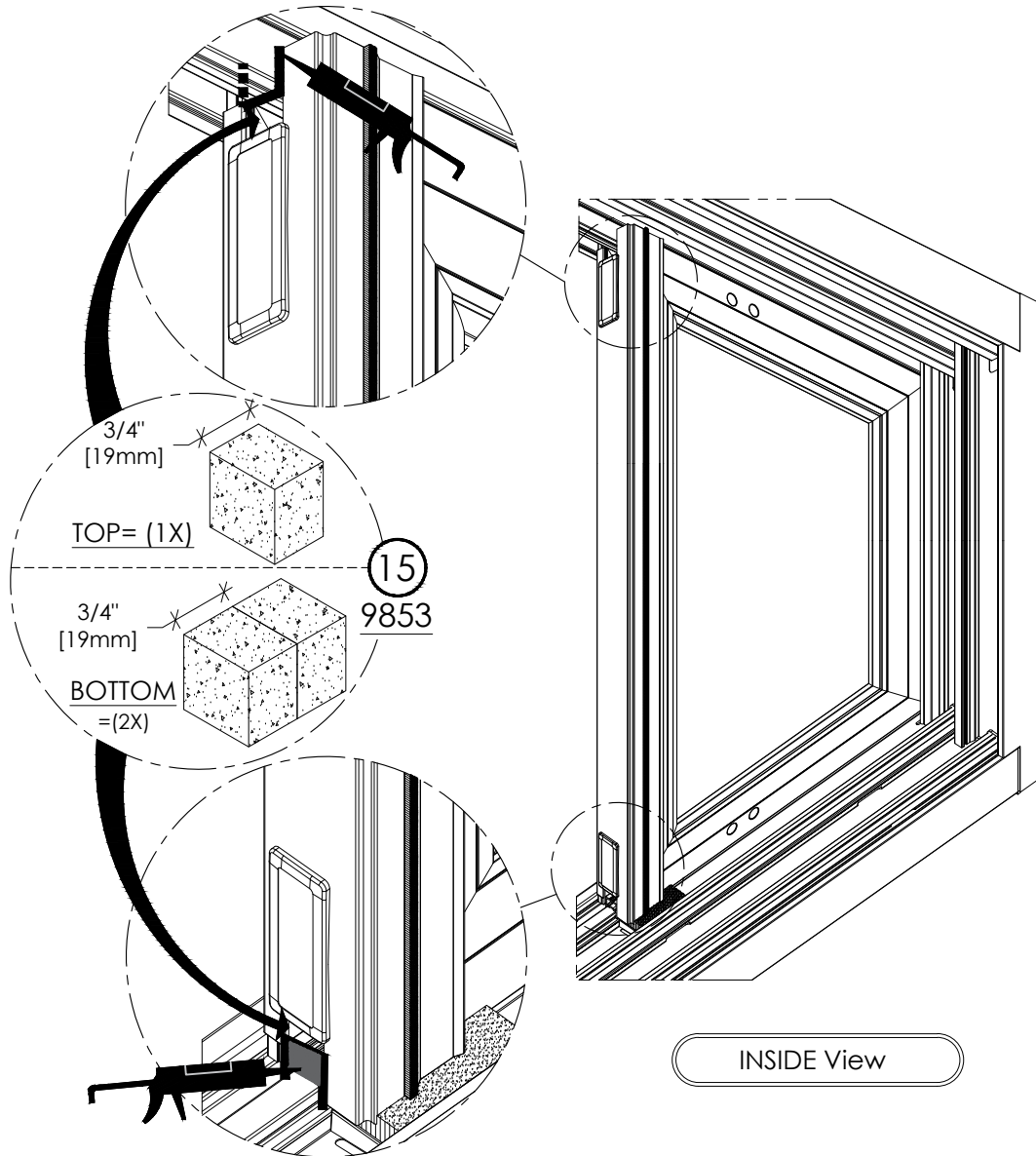


STEP: **7**

(Continued) Installation of the Fixed Sash

REVISION: 2020/05/26

PAGE: P25





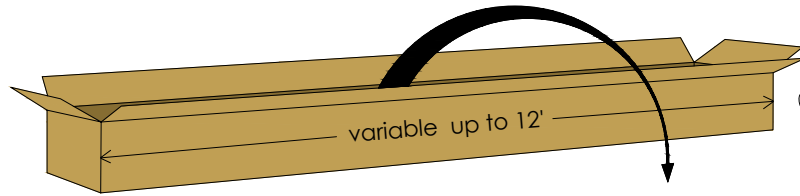
STEP:
8

Installation of Central Sash & Head Tracks #8321

REVISION:
2020/05/26

PAGE:
P26

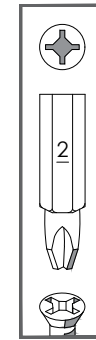
Tools and components required for this step



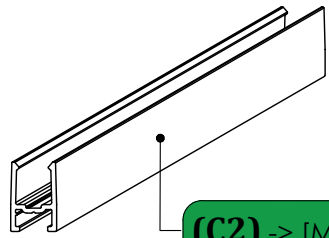
8321
(2X)



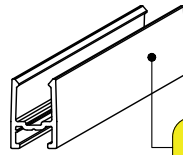
Impact
(1X)



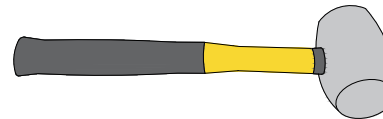
Screwdriver Bit
(1X)



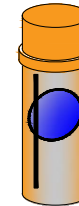
(C2) -> [M]



(C1) -> [F]



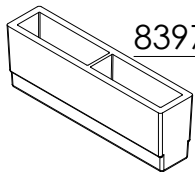
Rubber Mallet
(1X)



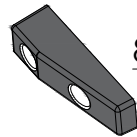
Invisible Lubricant
Silicone
(1X)



08375.58.SACn1.3V : FRAME & SASH Hardware bag



8397.58.ANCVS
(1X)

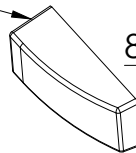


8389.ARREV
(1X)



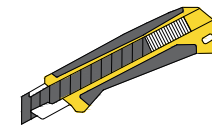
1-1/4"
[32mm]

8941.VIS08
(2X)
BLACK

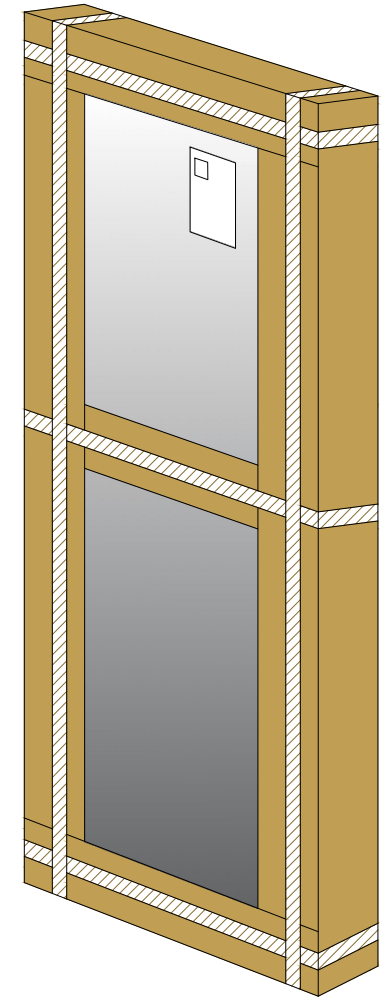


8389.CAPEV
(1X)

*If painted door (IN=Inside),
rather use parts on red bag in
Sill box.*



Knife
(1X)



CENTRAL Sash Box
(1X)

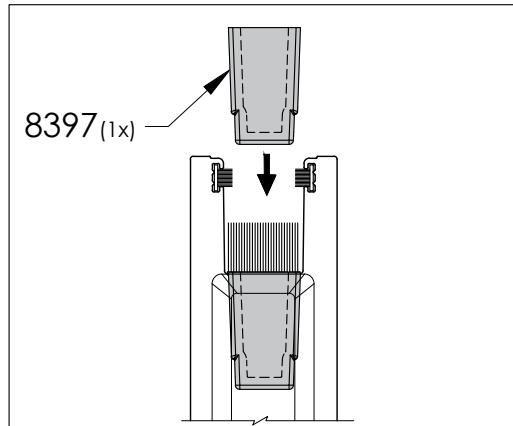


STEP:
8

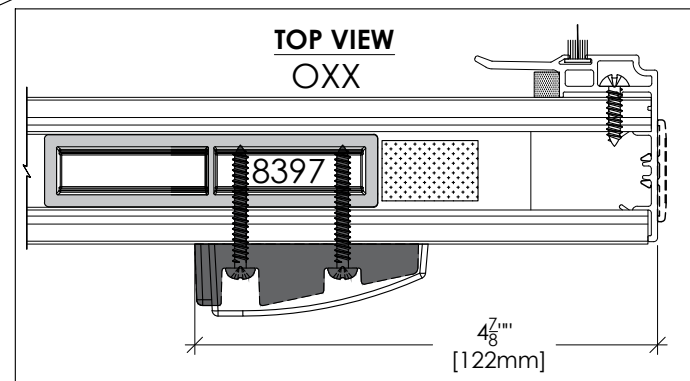
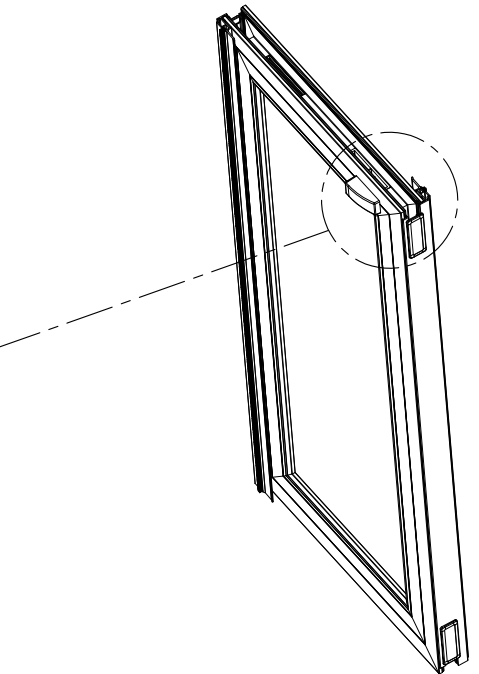
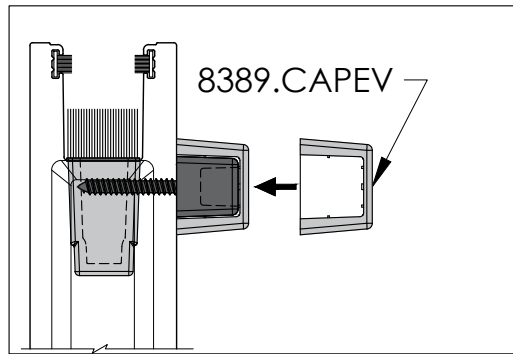
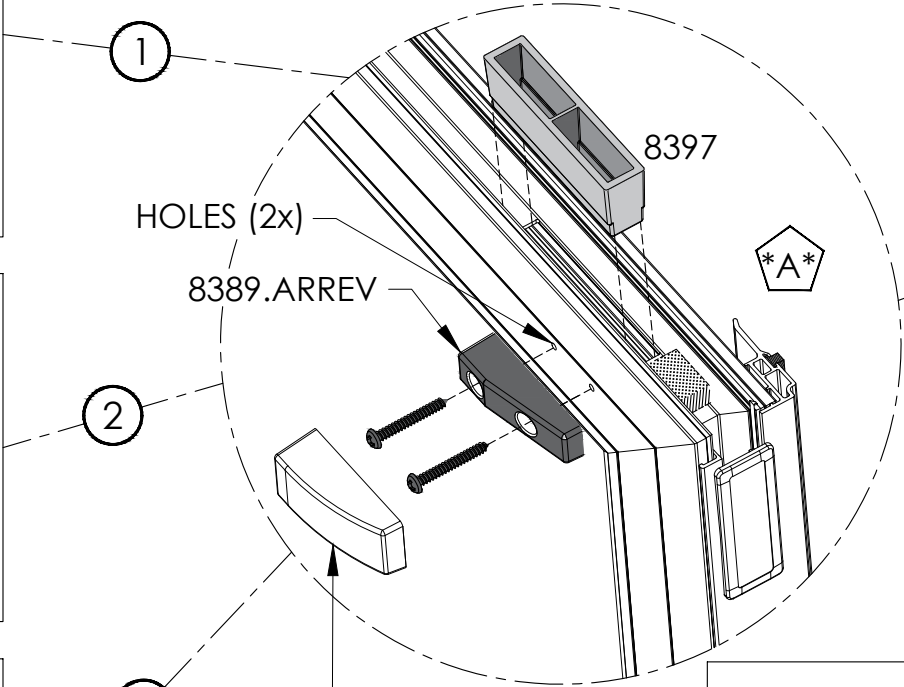
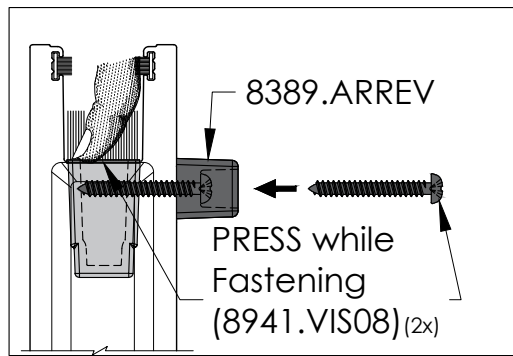
(Continued) Installation of Central Sash & Head Tracks #8321

REVISION:
2020/05/26

PAGE:
P27



A
ATTENTION:
MUST BE DONE BEFORE
INSERTING SASH IN FRAME.



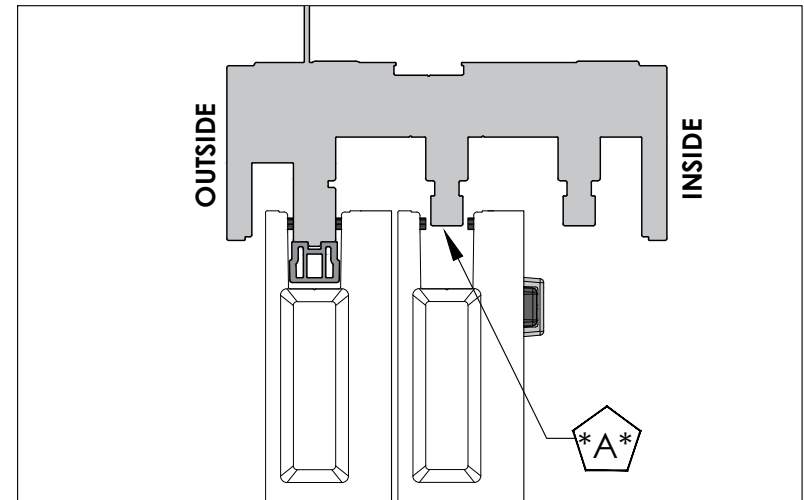
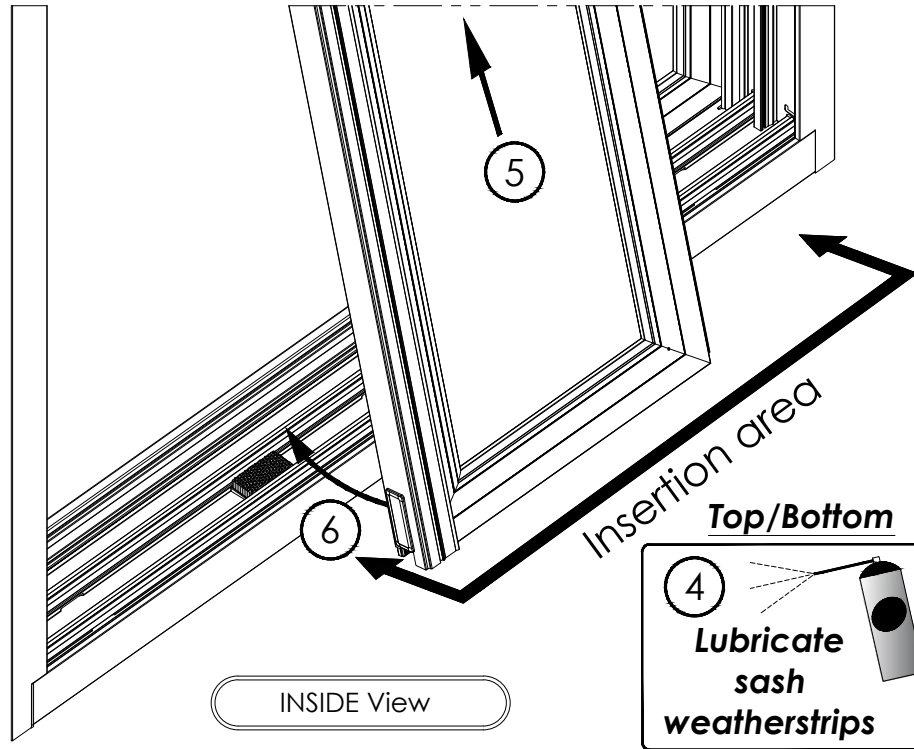


STEP:
8

(Continued) Installation of Central Sash & Head Tracks #8321

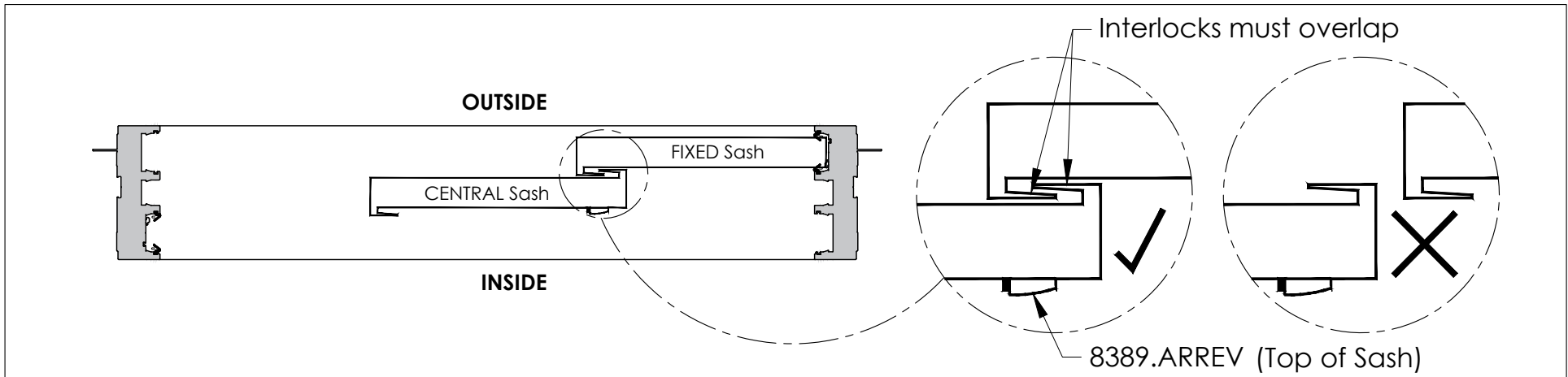
REVISION:
2020/05/26

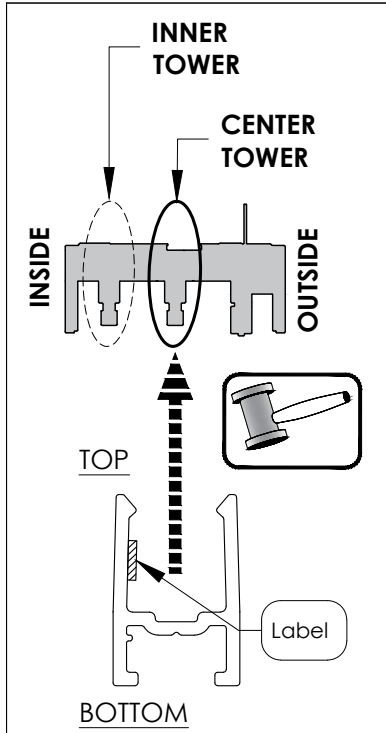
PAGE:
P28



IMPORTANT: Sash header engagement is minimal at this stage. (The sash is free standing and could disengage from the header until head track is installed (see next page).

A





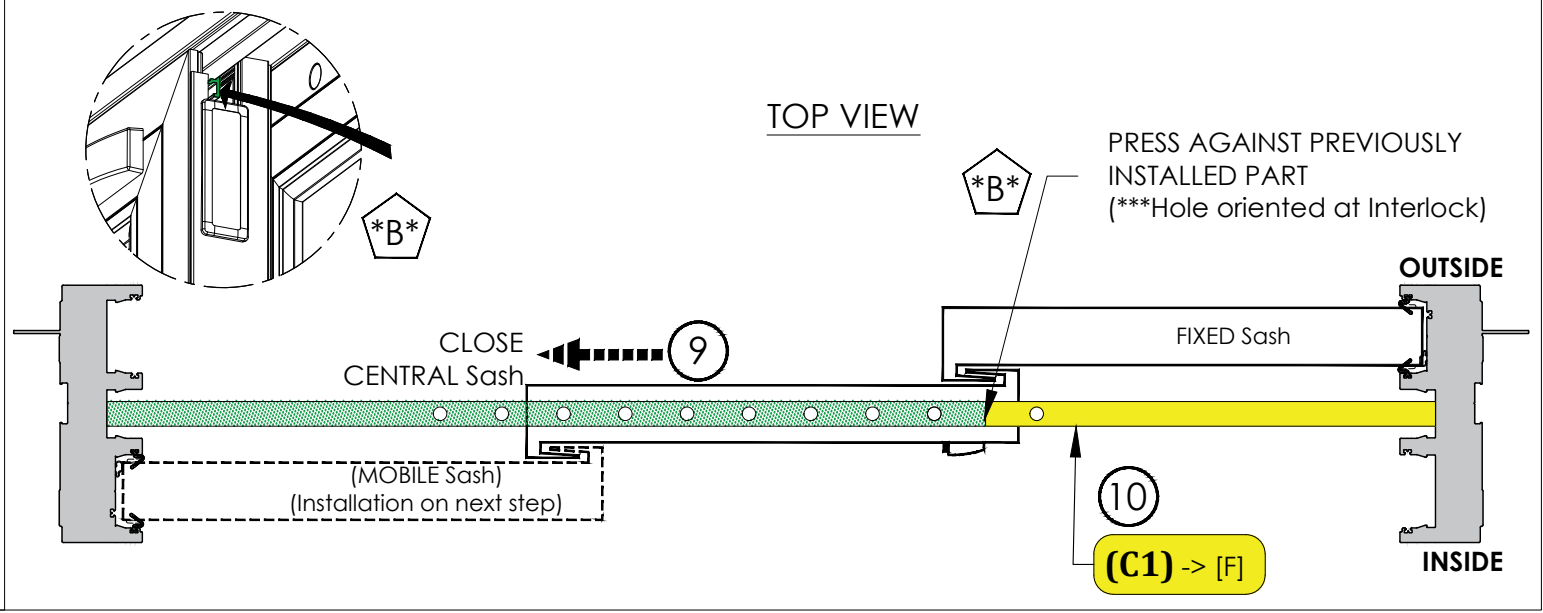
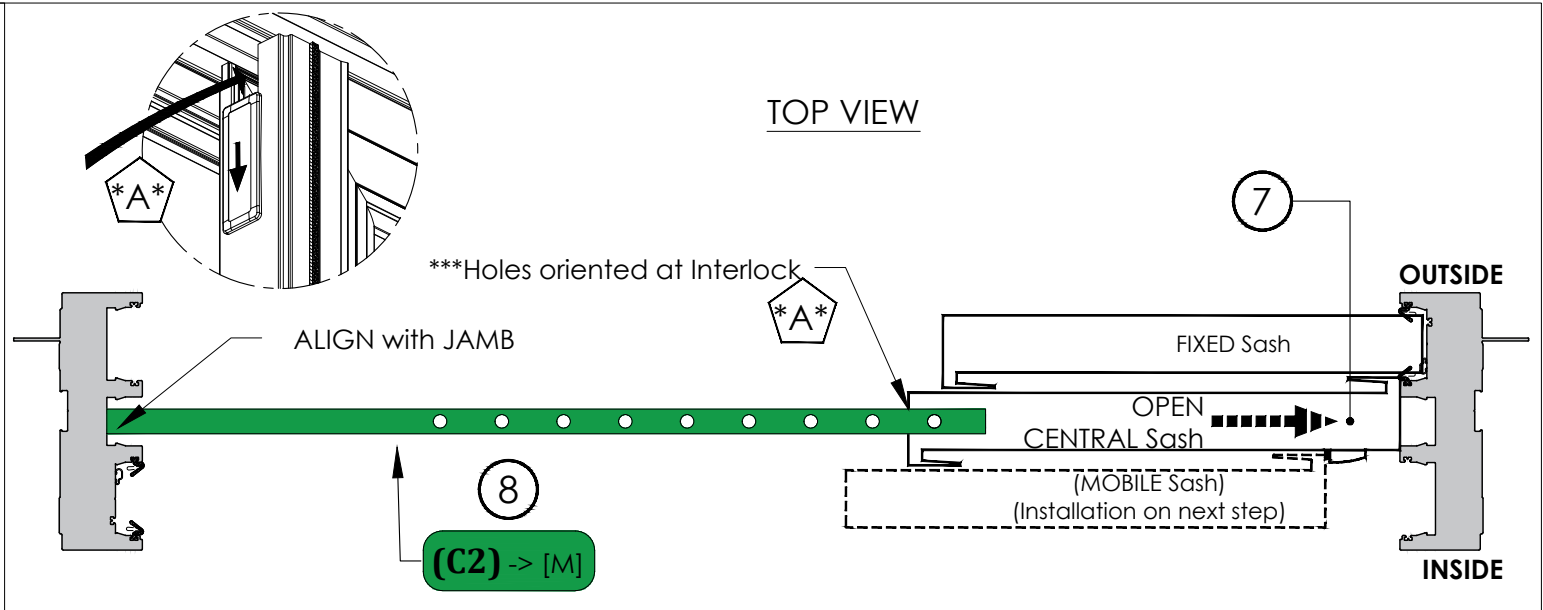
Legend:

INNER TOWER:
(I1) -> [F]
 = Part 1 (close to Fixed Sash)

(I2) -> [M]
 = Part 2 (close to Mobile Sash)

CENTER TOWER:
(C1) -> [F]
 = Part 1 (close to Fixed Sash)

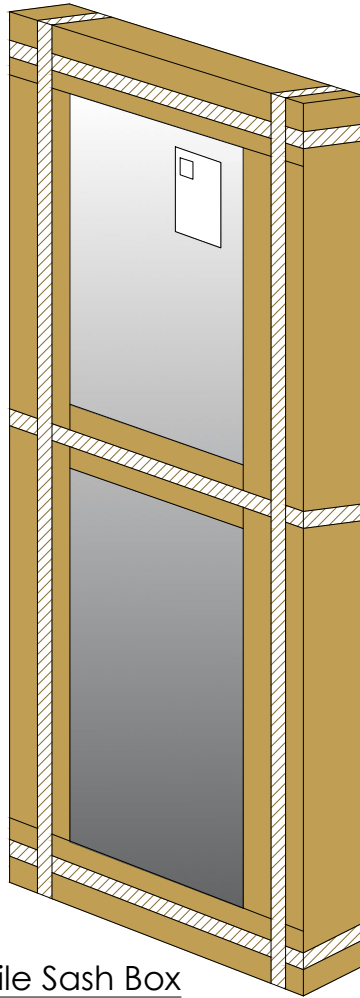
(C2) -> [M]
 = Part 2 (close to Mobile Sash))



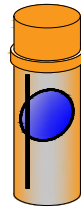


Installation of Mobile Sash & Head Tracks #8321

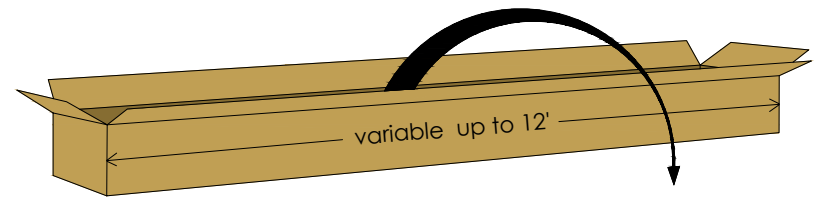
Tools and components required for this step



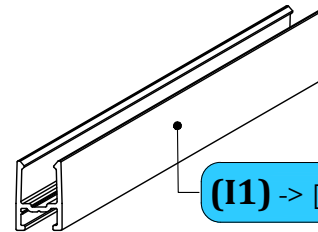
Mobile Sash Box
(1X)



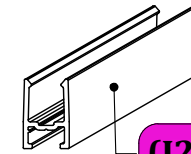
Invisible Lubricant
Silicone
(1X)



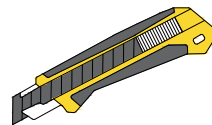
8321
(2X)



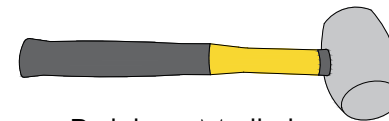
(I1) -> [F]



(I2) -> [M]



Knife
(1X)



Rubber Mallet
(1X)

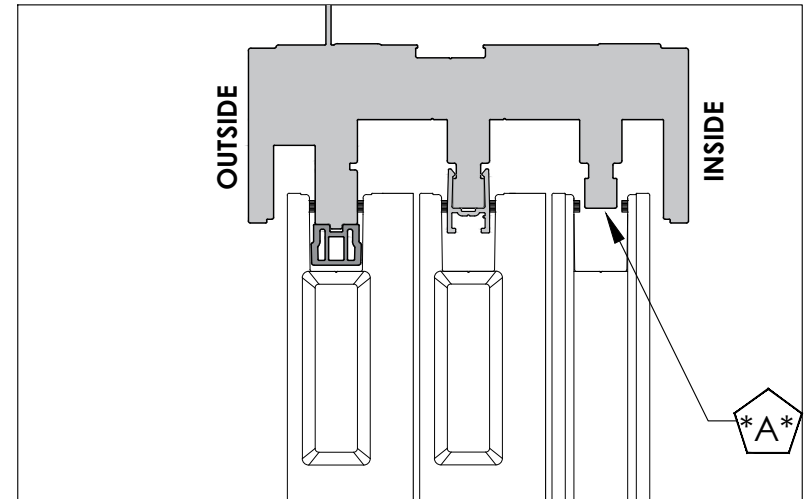
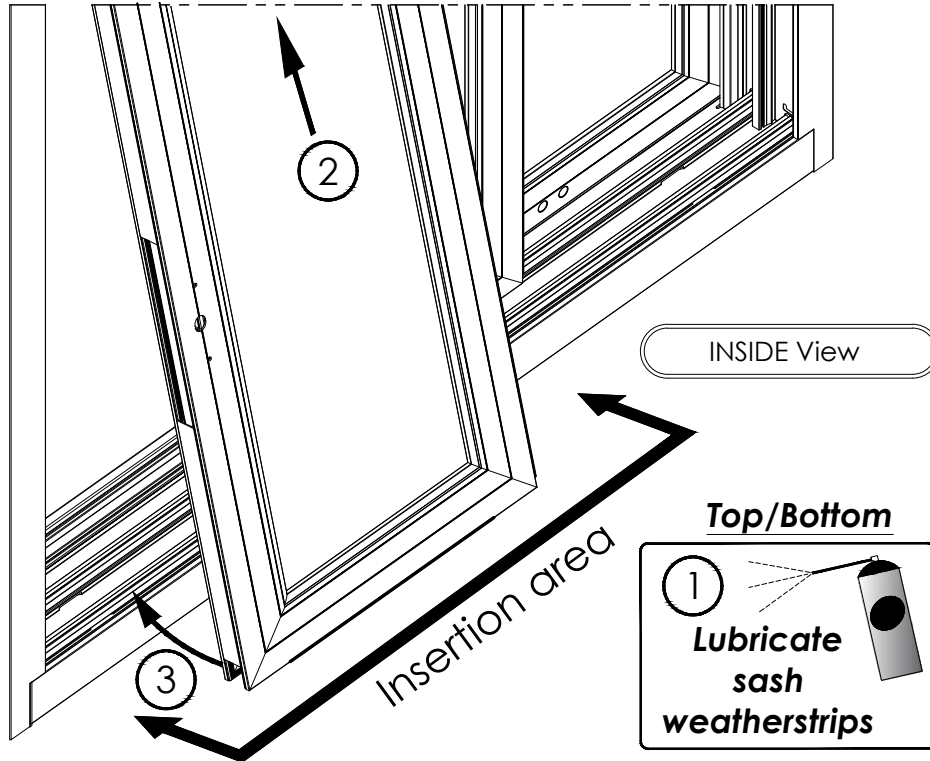


STEP: **9**

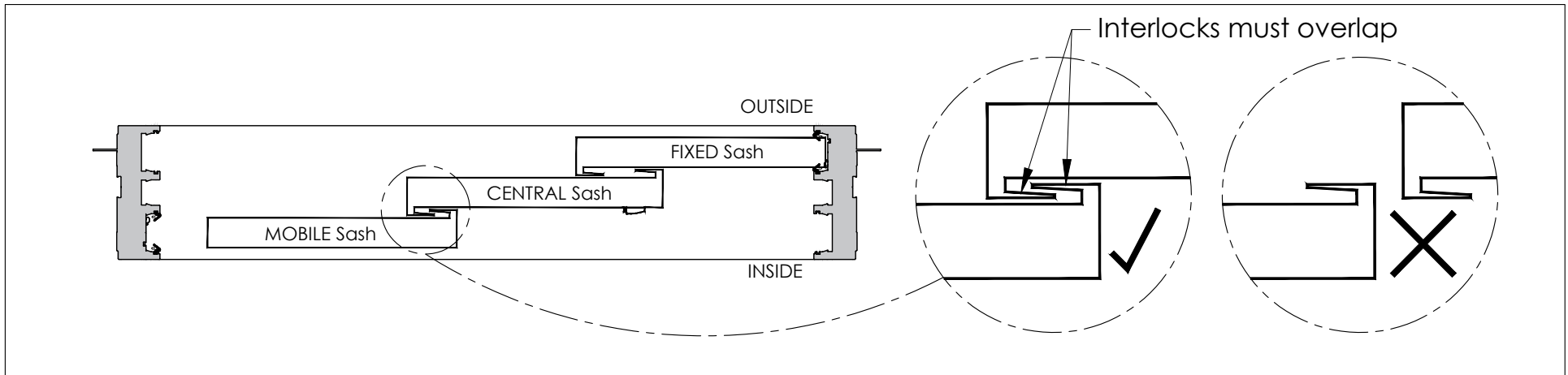
(Continued) Installation of Mobile Sash & Head Tracks #8321

REVISION: 2020/05/26

PAGE: P31



IMPORTANT: Sash header engagement is minimal at this stage. (The sash is free standing and could disengage from the header until head track is installed (see next page).

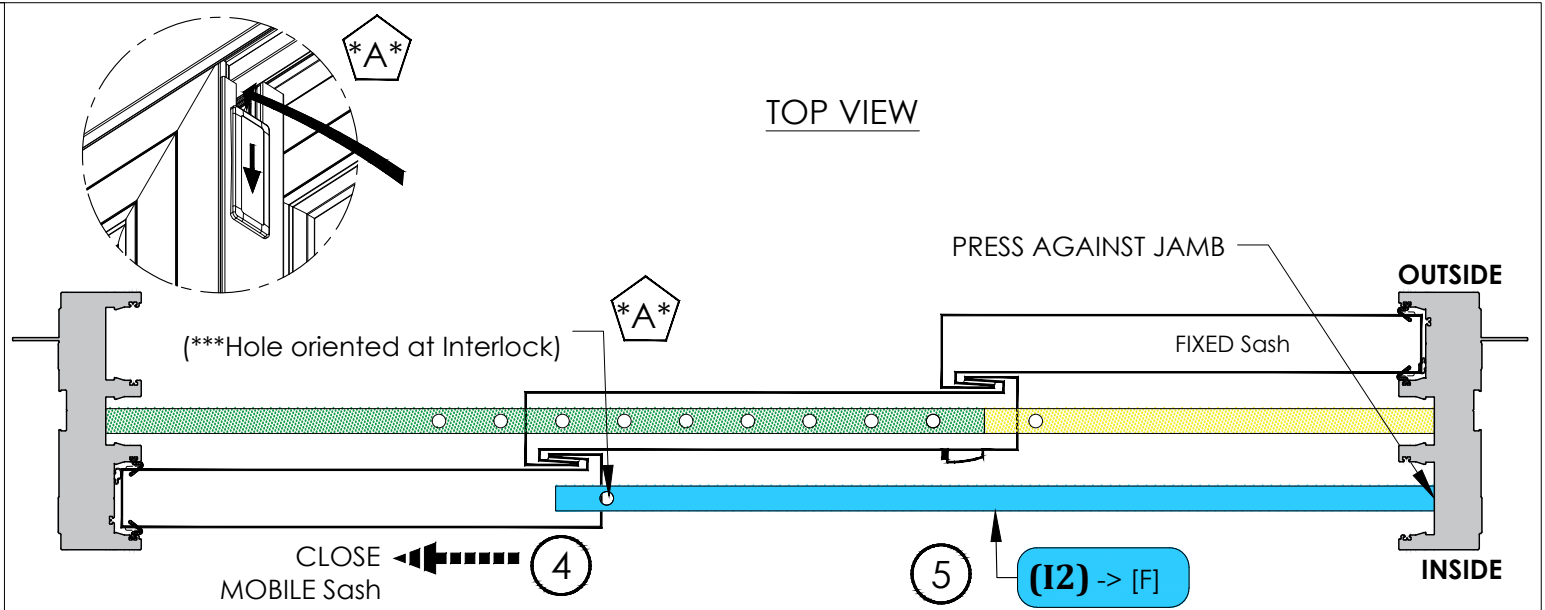
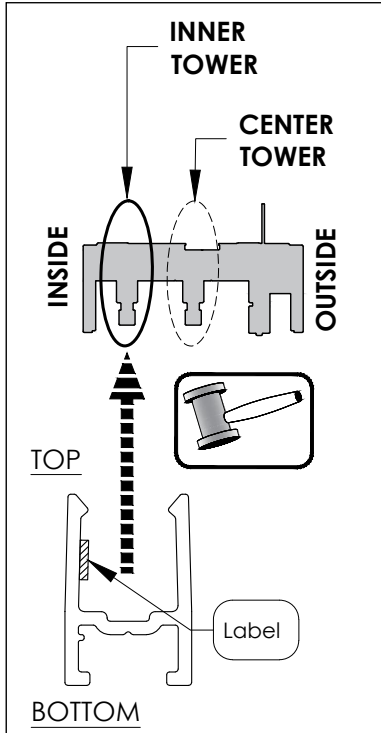




(Continued) Installation of Mobile Sash & Head Tracks #8321

REVISION:
2020/05/26

PAGE:
P32



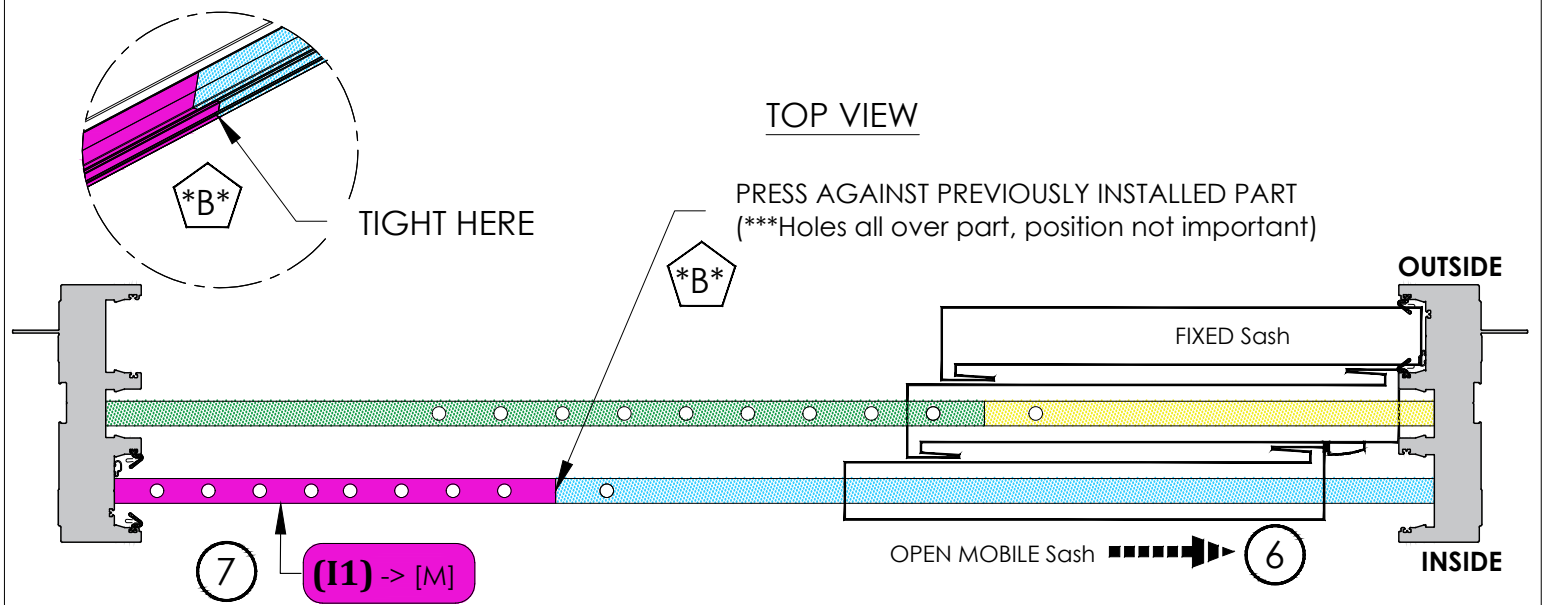
Legend:

INNER TOWER:
(I1) -> [F]
= Part 1 (close to Fixed Sash)

(I2) -> [M]
= Part 2 (close to Mobile Sash)

CENTER TOWER:
(C1) -> [F]
= Part 1 (close to Fixed Sash)

(C2) -> [M]
= Part 2 (close to Mobile Sash))





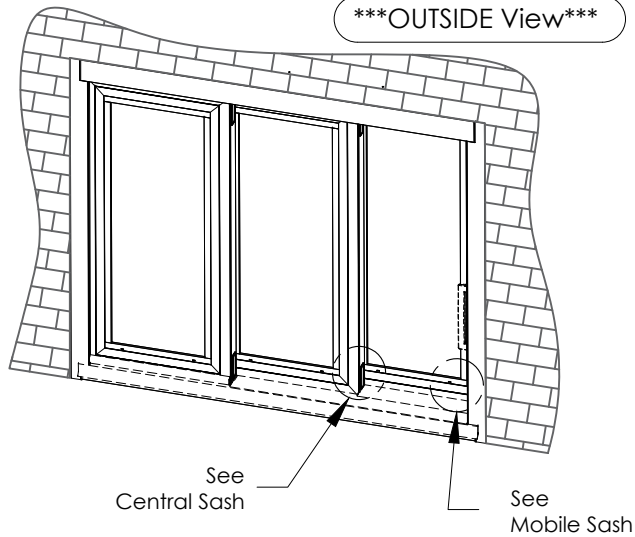
STEP:
10

Adjustment of the Sash

REVISION:
2020/05/26

PAGE:
P33

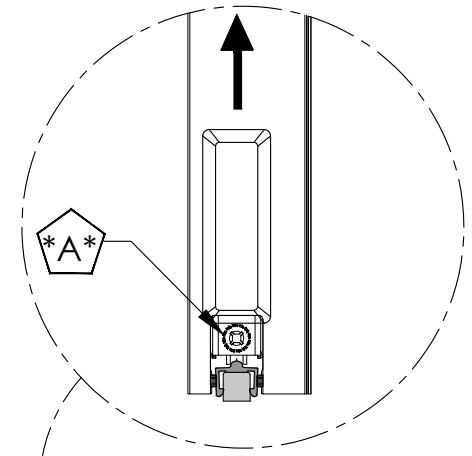
OUTSIDE View



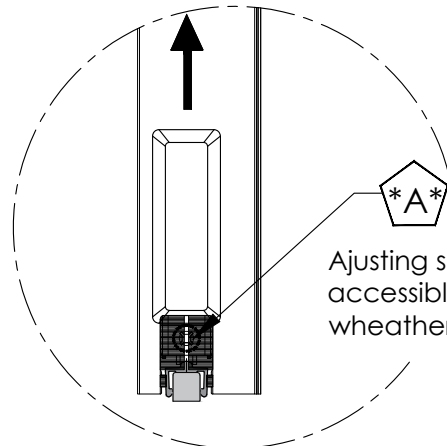
ATTENTION:
Adjust the height and squareness of the sashes (centrals and mobiles) with the adjusting screw.



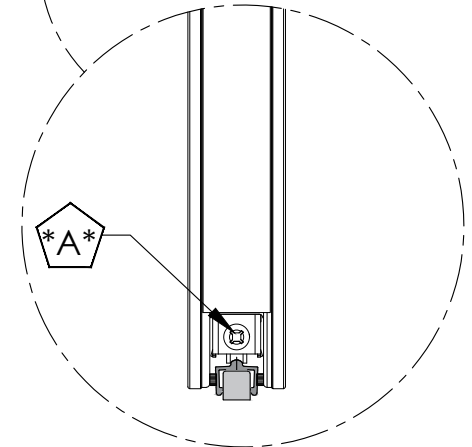
Screwdriver Bit
Quadrex 6" #2 (1X)



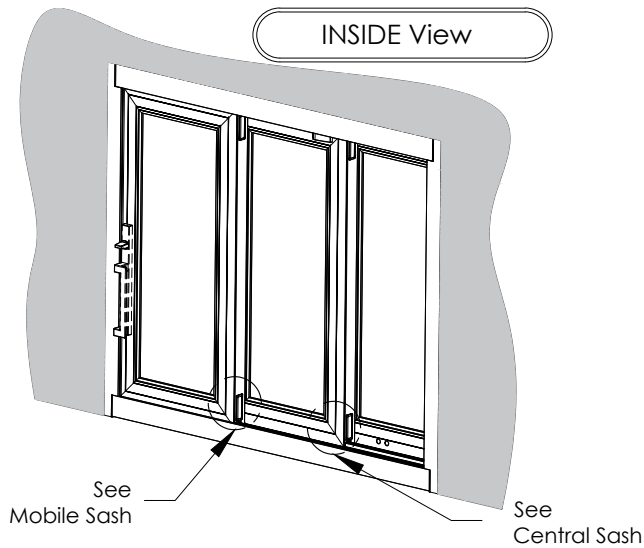
Mobile Sash



Central Sash



INSIDE View





Installation of Head Blocks

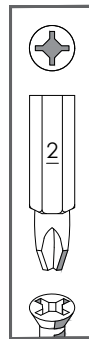
REVISION: 2020/05/26

PAGE: P34

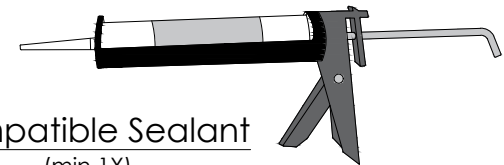
Tools and hardware required for this step



Impact
(1X)




Screwdriver Bit
(1X)

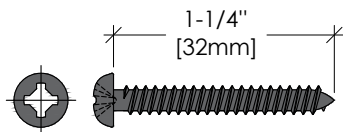


Compatible Sealant
(min.1X)



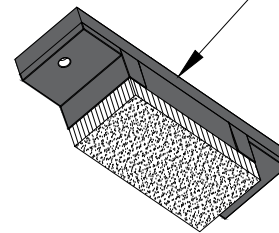
Screwdriver Bit
Quadrex 6" #2 (1X)

 08375.00.SACn2.3V : HEAD Hardware bag

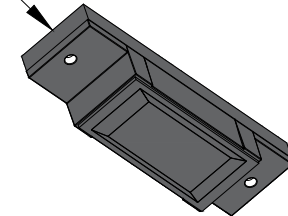


8941.VIS08
(8X)

BLACK



00703.ADM35
(2X)

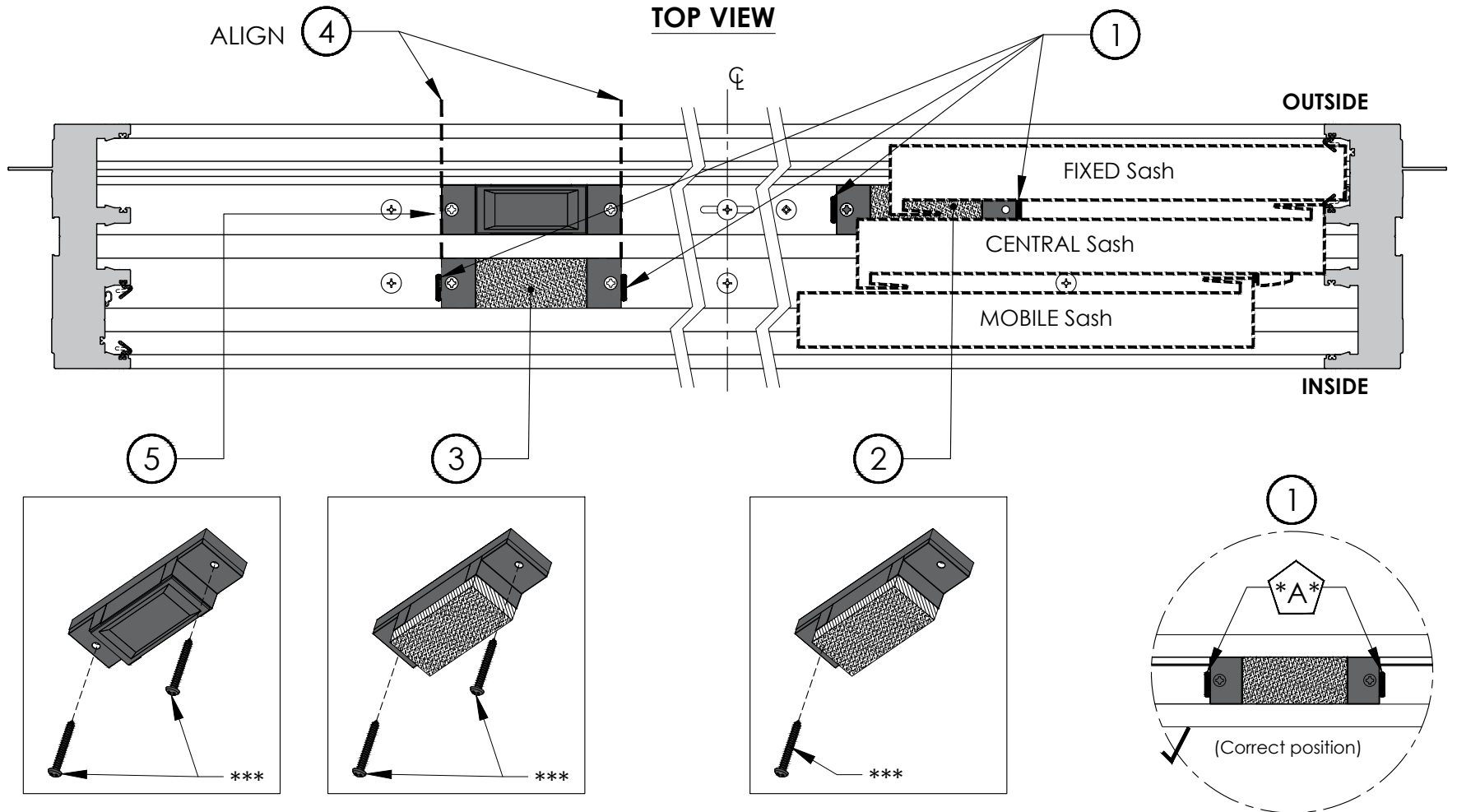


8703.BMSCF
(1X)

****Assembled with foam 8373****



(Continued) Installation of Head Blocks



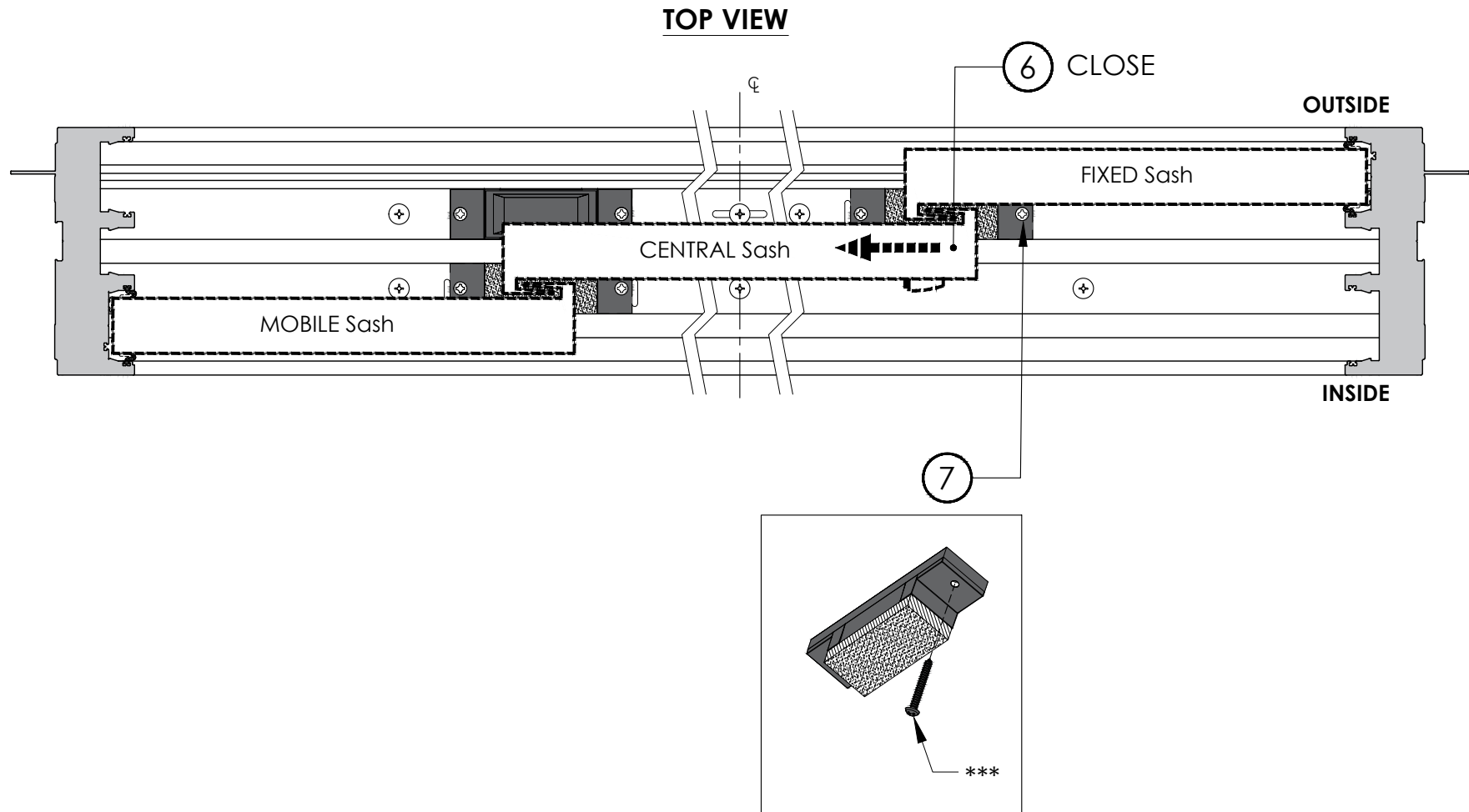
*****ATTENTION***:**
Do not overtighten screws
(Foam under head block should not be compressed)

ATTENTION:
The blocks must be centered
between the marks.





(Continued) Installation of Head Blocks

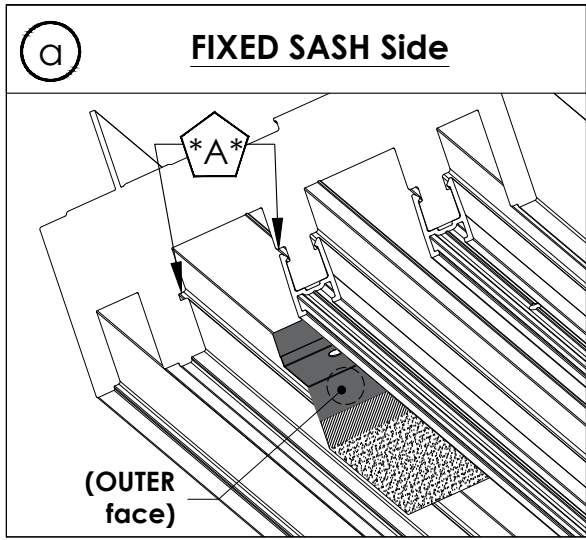
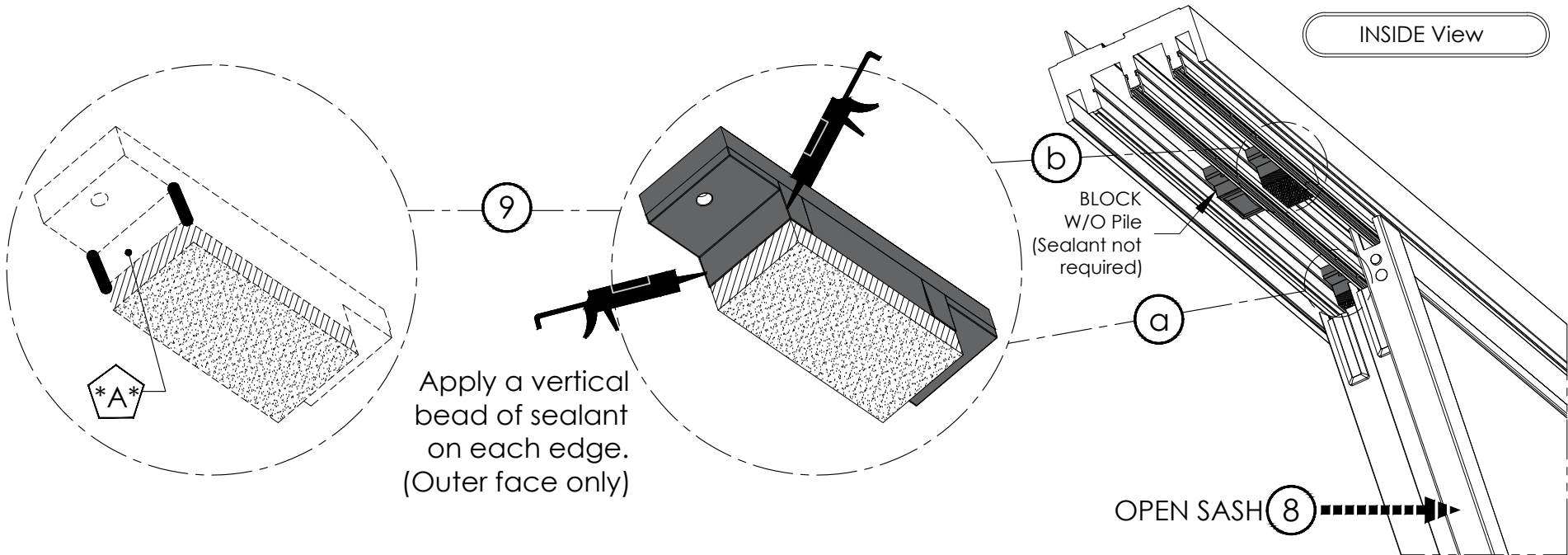


*****ATTENTION***:**

**Do not overtighten screw
(Foam under head block should not be compressed)**

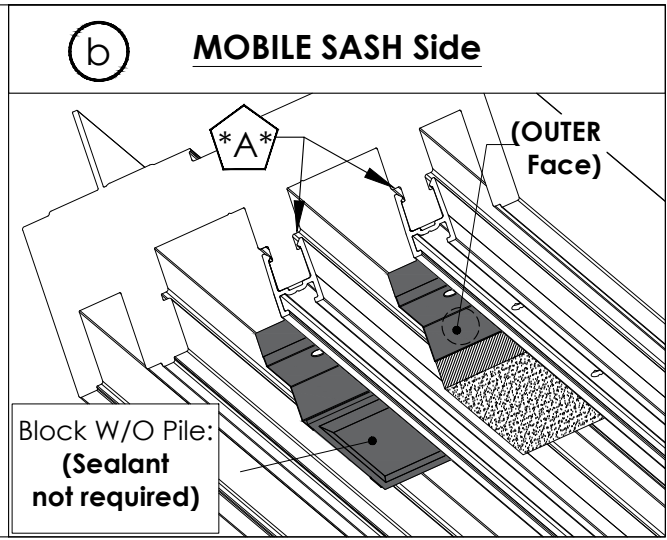


(Continued) Installation of Head Blocks



A

ATTENTION:
On the outer face of the head blocks **WITH Weatherstrip:** Make sure the grooves in the head are filled with sealant.





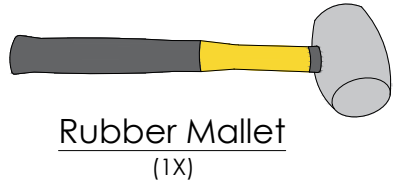
STEP:
12

Installation of Jamb Cover (Interior) & Sash Stop

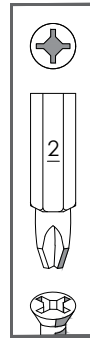
REVISION:
2020/05/26

PAGE:
P38

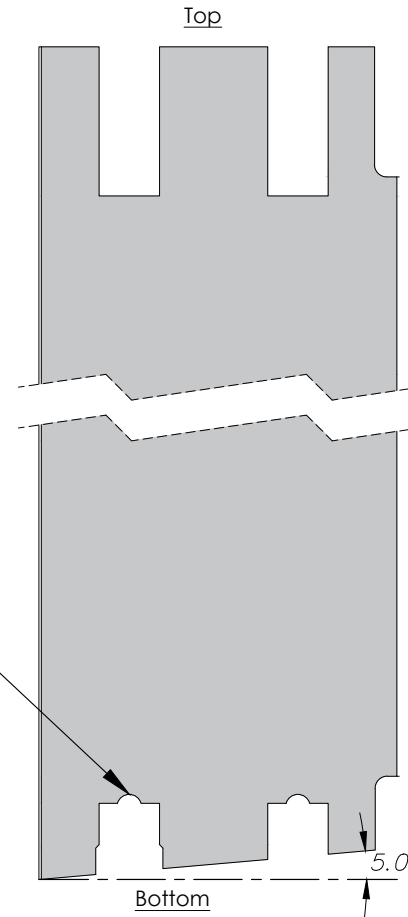
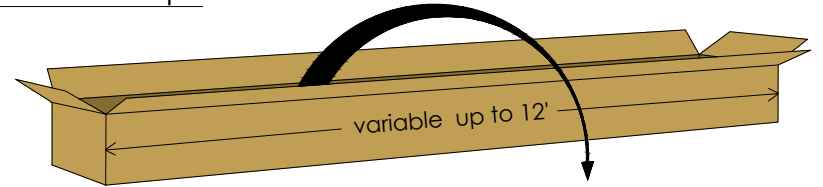
Tools and materials required for this step



Impact
(1X)

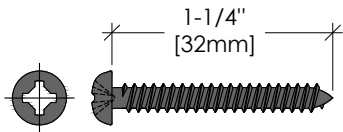


Screwdriver Bit
(1X)

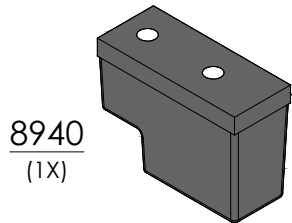


8313.(GI)

08380.00.SACn2.3V : HEAD Hardware bag



8941.VIS08
(2X)
black



8940
(1X)

Assembled with shim 8789

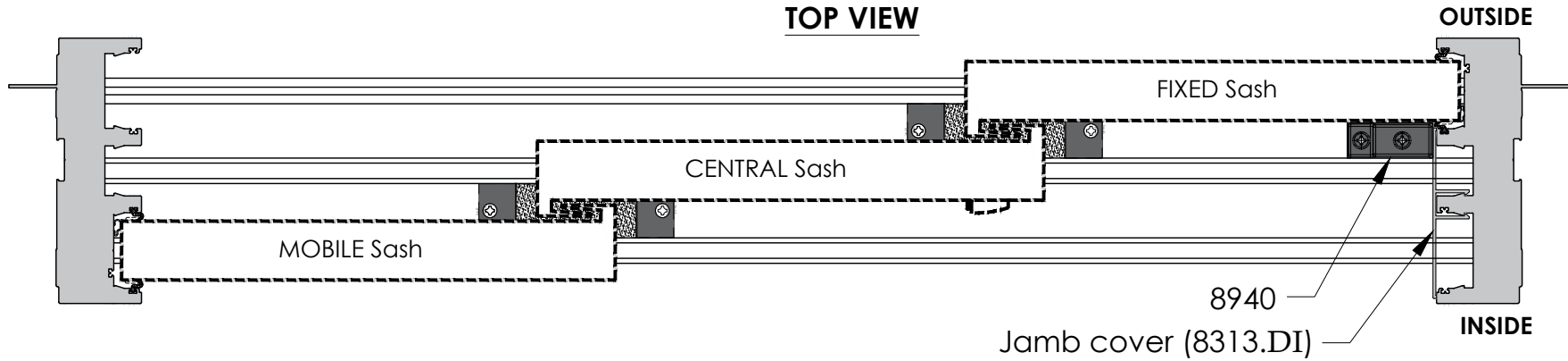




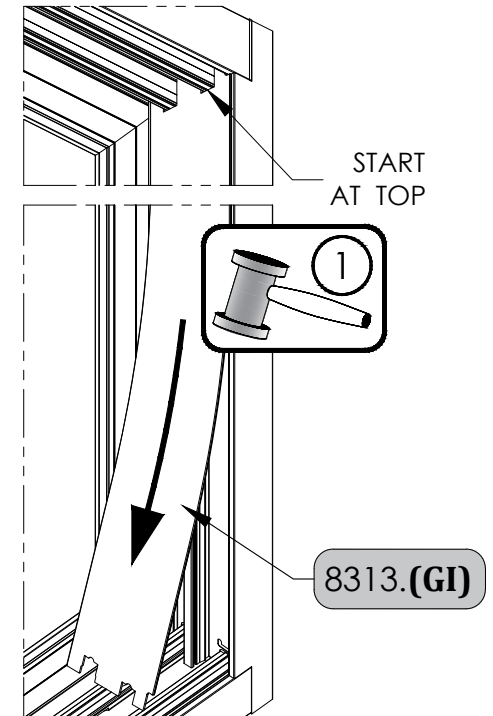
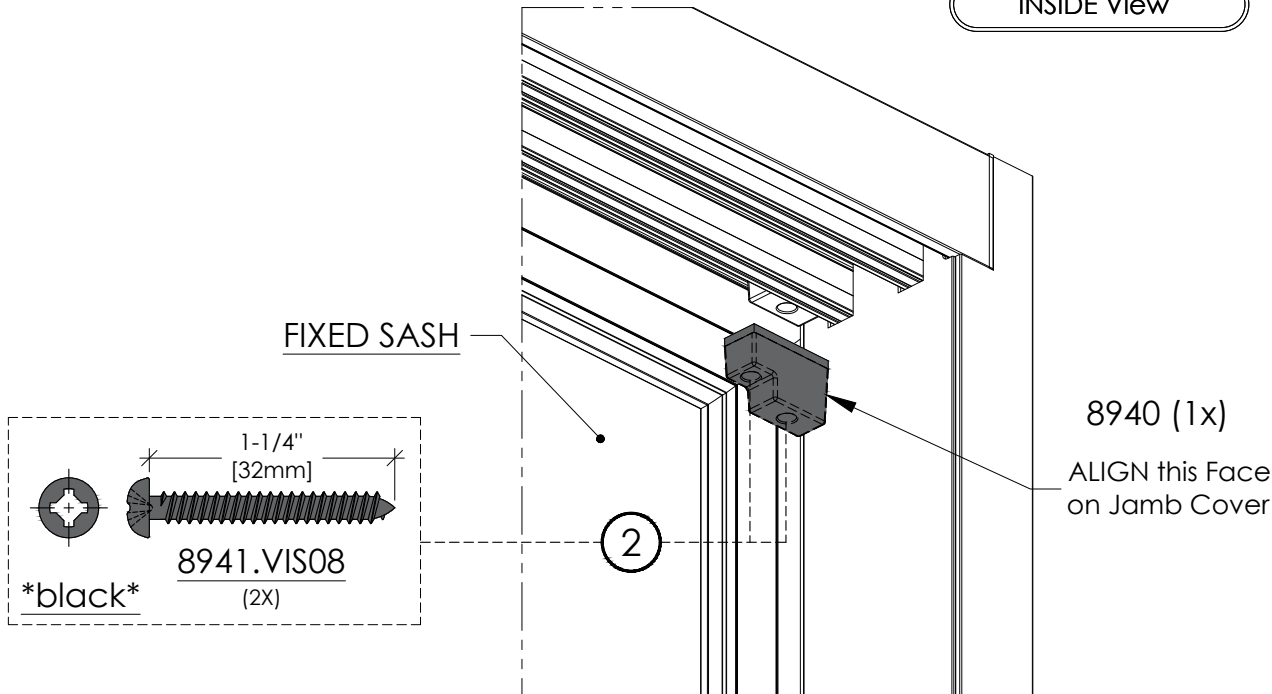
(Continued) Installation of Jamb Cover (Interior) & Sash Stop

REVISION: 2020/05/26

PAGE: P39



INSIDE View



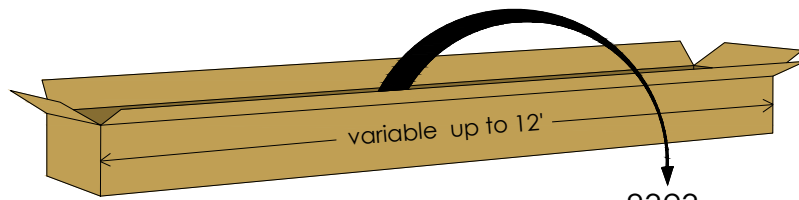


Installation of Head Covers #8323

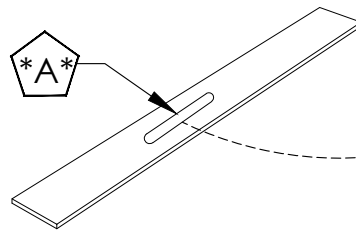
REVISION:
2020/05/26

PAGE:
P40

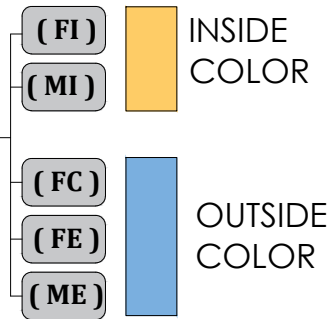
Components required for this step



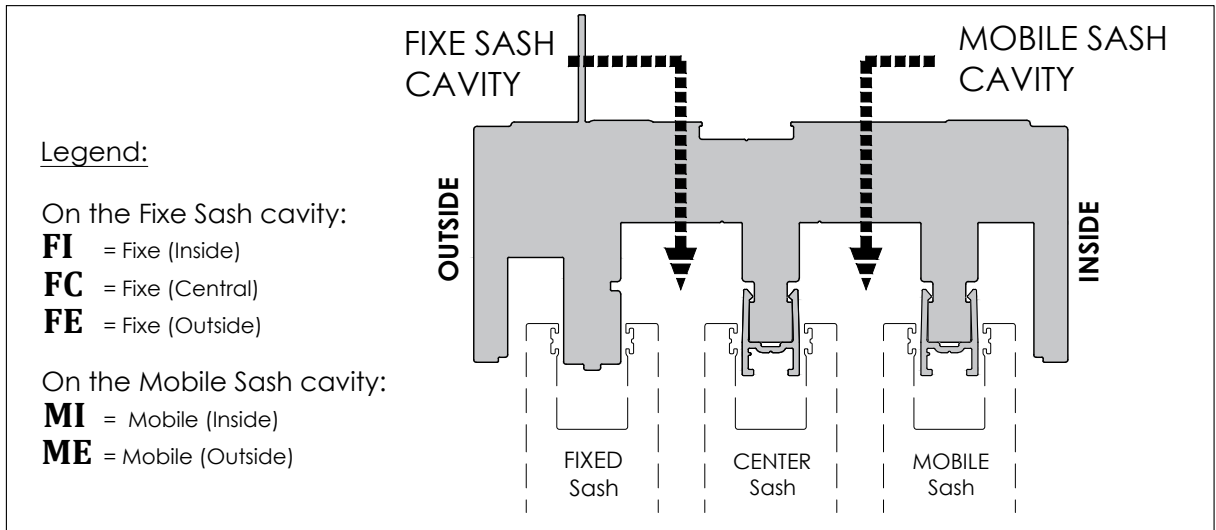
8323
(5X)



PAY ATTENTION TO THE COLOR IF THE DOOR IS PAINTED



ATTENTION:
Label should not be visible when part is installed.
(See next page)

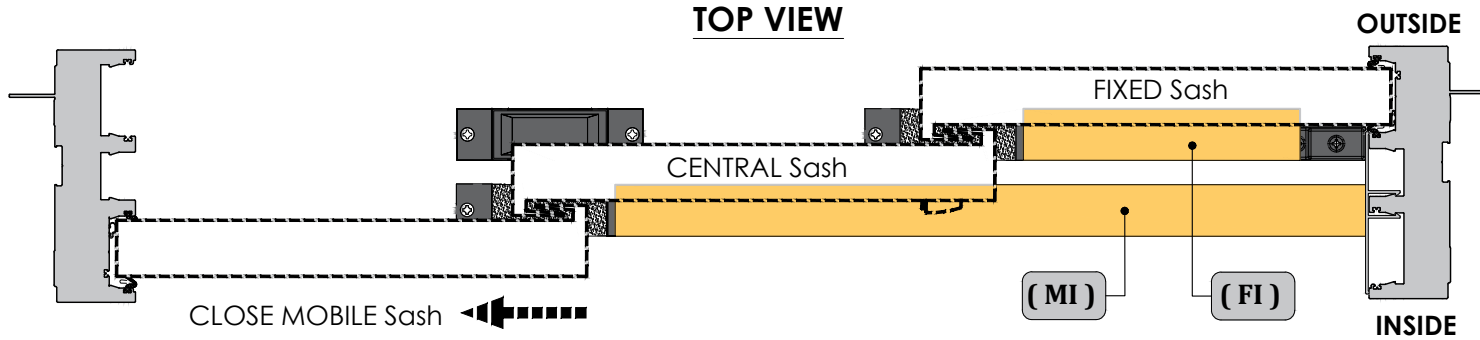




(Continued) Installation of Head Covers #8323

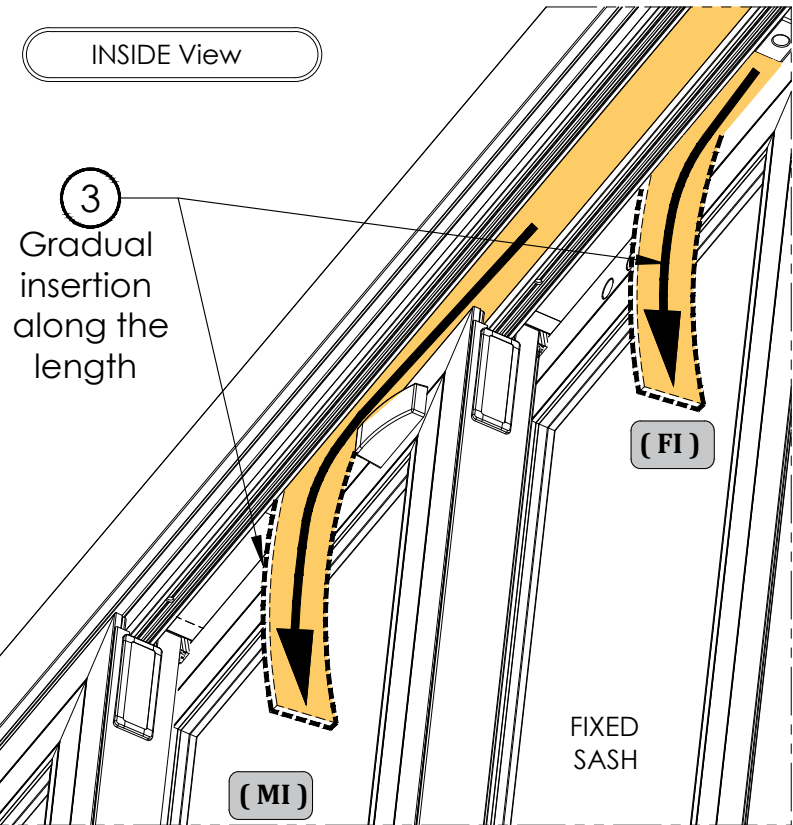
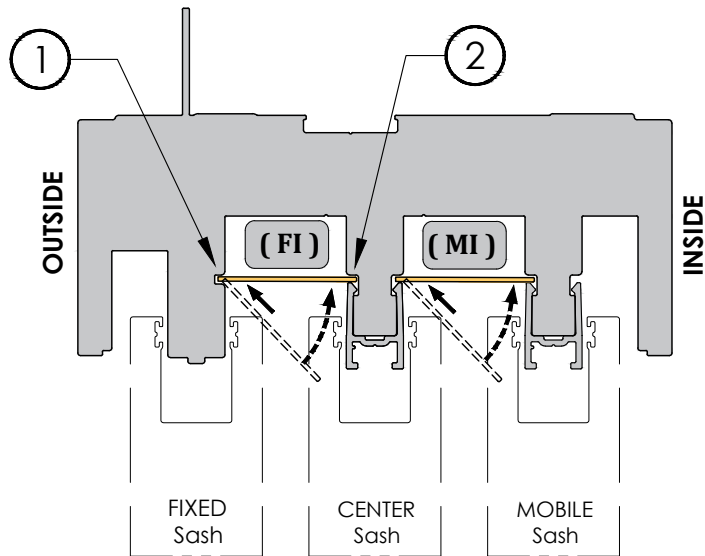
REVISION: 2020/05/26

PAGE: P41



A

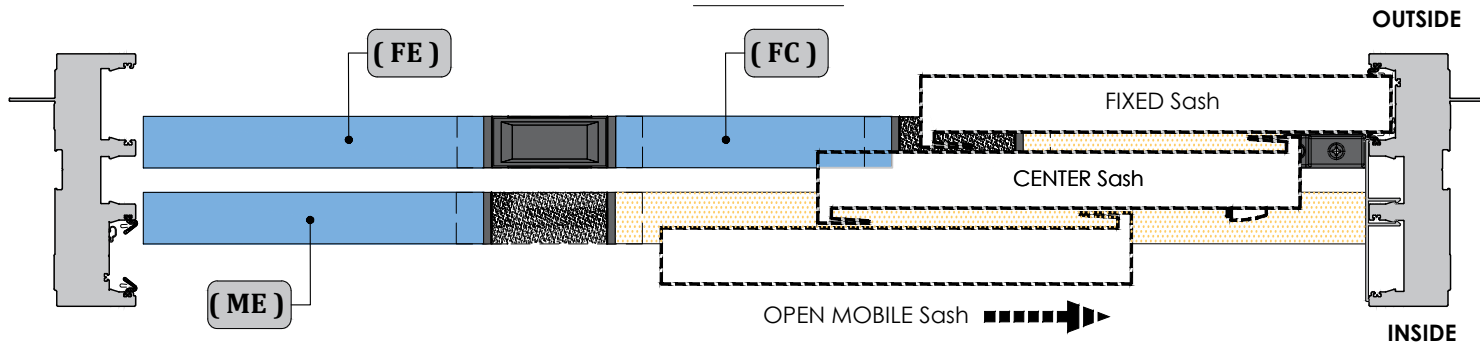
**Follow steps 1-2-3 for each head covers.
Make sure the parts are properly snapped.
(Pay attention at the color if door is painted)**





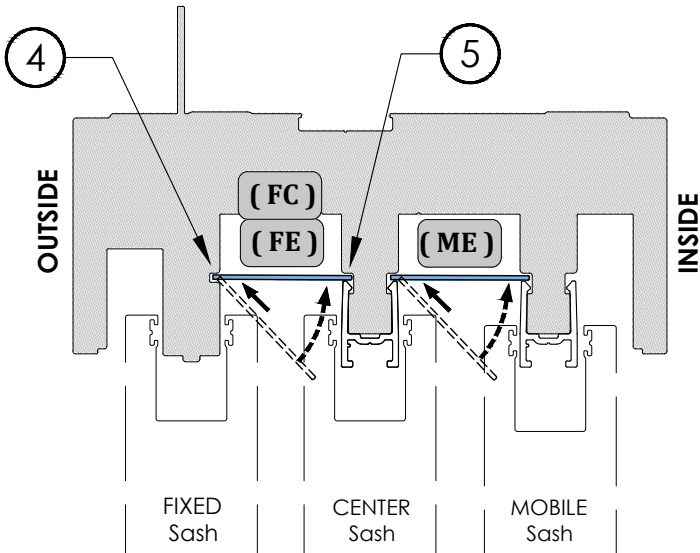
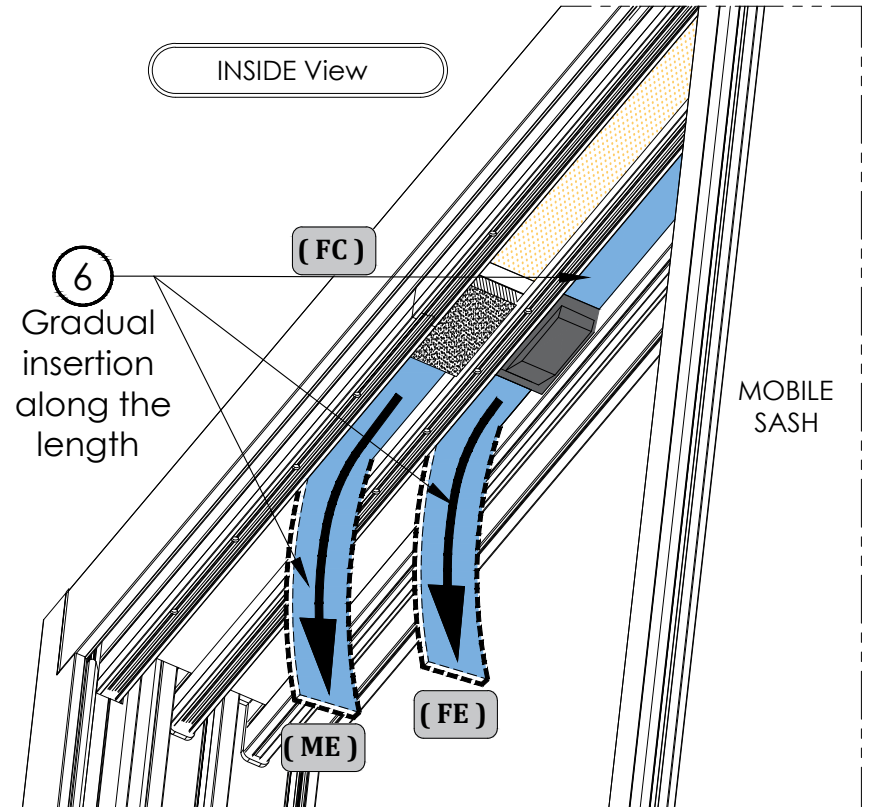
(Continued) Installation of Head Covers #8323

TOP VIEW



**Follow steps 4-5-6 for each head covers.
Make sure the parts are properly snapped.
(Pay attention at the color if door is painted)**

INSIDE View





STEP:
14

Fastening Head Tracks #8321 to the Frame

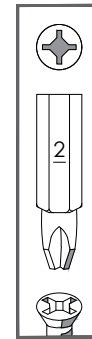
REVISION:
2020/05/26

PAGE:
P43


Tools and hardware required for this step


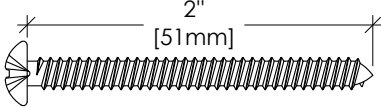



Impact
(1X)



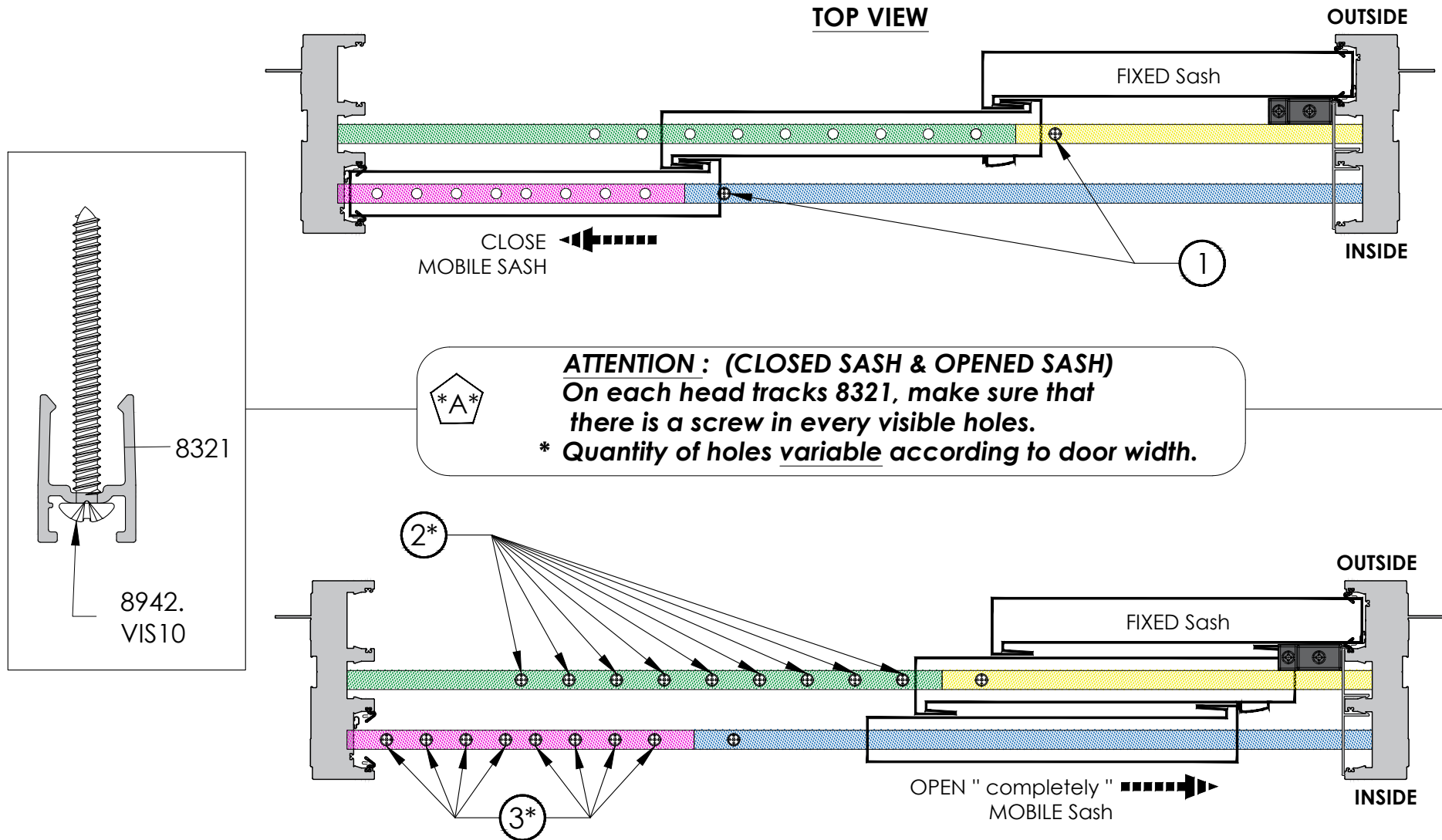
Screwdriver Bit
(1X)

 08380.00.SACn2.3V : HEAD Hardware bag

   8942.VIS10
(19X)



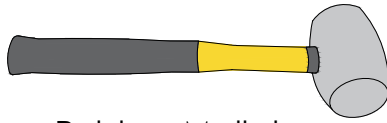
(Continued) Fastening Head Tracks #8321 to the Frame



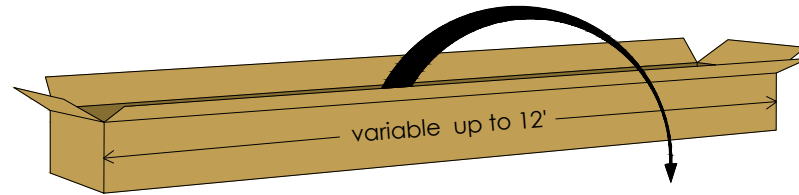


Installation of Groove Cover #8331

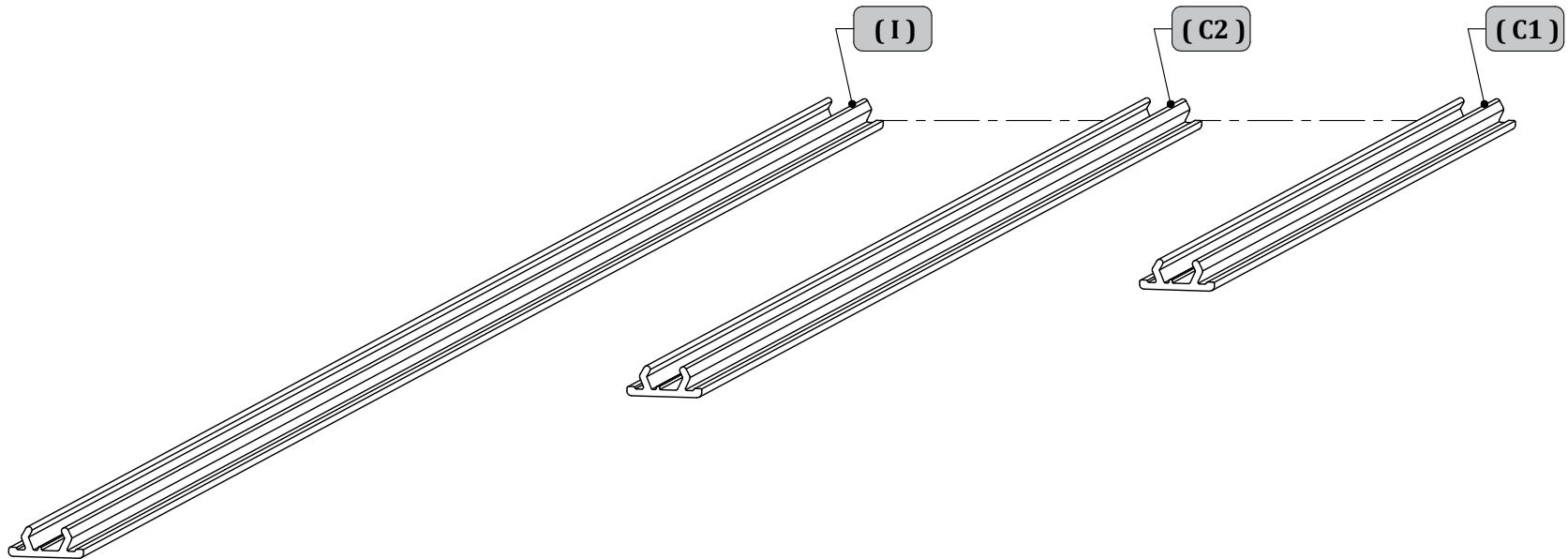
Tools and components required for this step



Rubber Mallet
(1X)



8331
(3X)





(Continued) Installation of Groove Cover #8331

REVISION:
2020/05/26

PAGE:
P46

INNER TOWER
CENTER TOWER

INSIDE **OUTSIDE**

Label

* (If painted door)

* INSIDE COLOR	(C1)
	(I)
* OUTSIDECOLOR	(C2)

Legend:
(I1) = Inner tower
(C1) = Central tower (Part 1)
(C2) = Central tower (Part 2)

TOP VIEW

OUTSIDE **INSIDE**

(C1) **FIXED Sash**

(I) **PRESS AGAINST JAMB**

INSIDE View

*** Insert the excess length through the sash until you reach the jamb.

INSERT INTO SASH INTERLOCK ①

ON FULL LENGTH (VISIBLE PART) ③

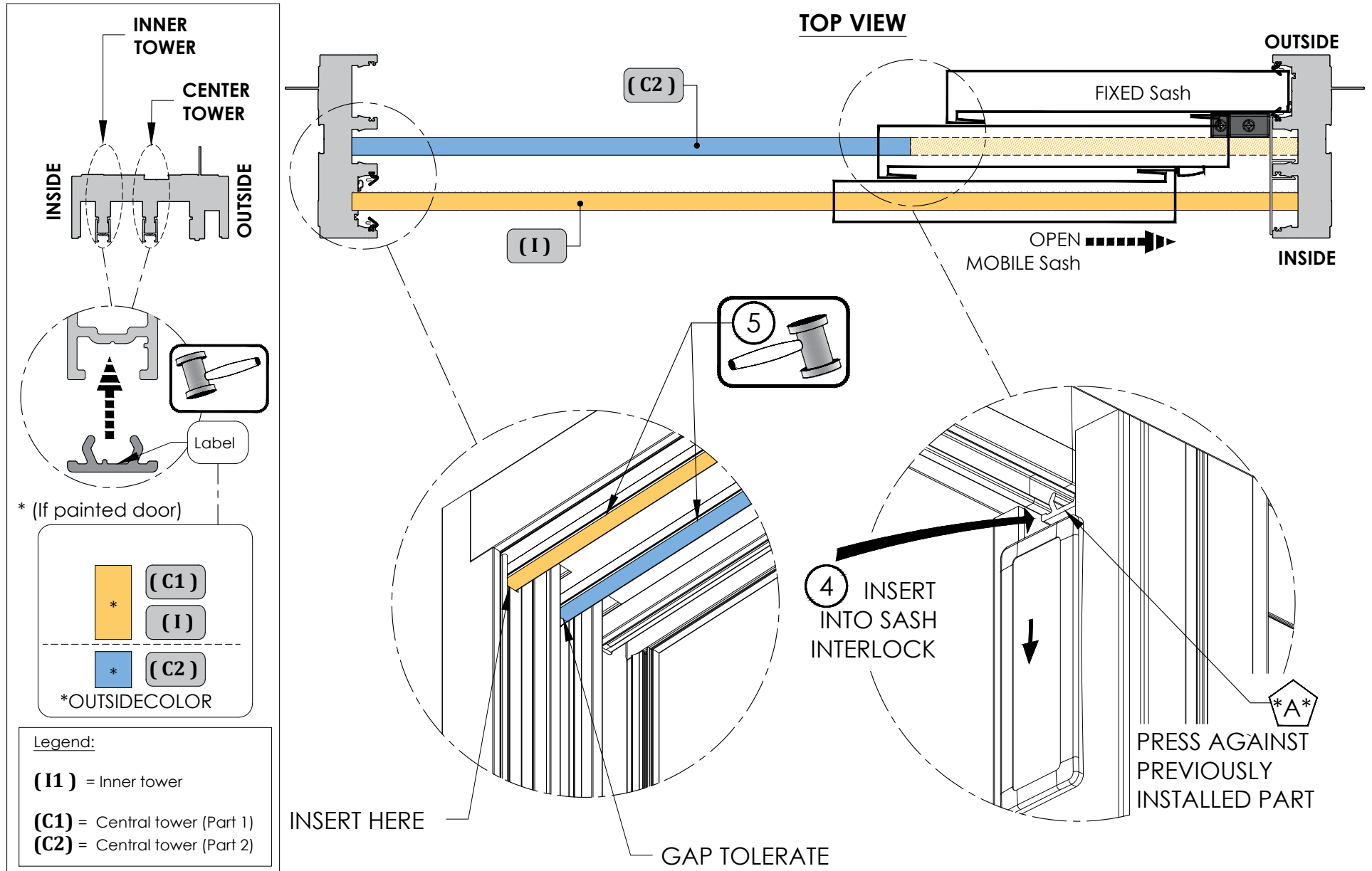
INSERT INTO JAMB COVER ②



(Continued) Installation of Groove Cover #8331

REVISION: 2020/05/26

PAGE: P47



* (If painted door)

*	(C1)
*	(I)
*	(C2)

*OUTSIDECOLOR

Legend:

- (I1) = Inner tower
- (C1) = Central tower (Part 1)
- (C2) = Central tower (Part 2)



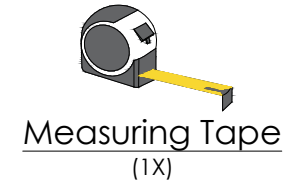
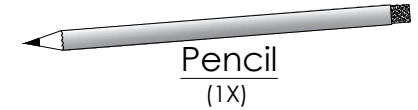
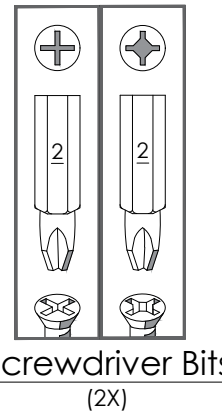
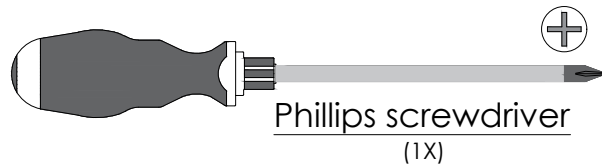
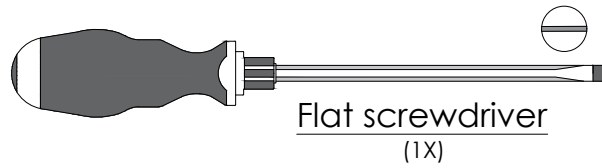


Installation of Handle, Lock & Keeper

REVISION:
2020/05/26

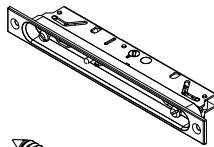
PAGE:
P48

Tools and hardware required for this step



09250.KT.ENS2P : Lock & Keeper bag

9250.SER2P
(1X)

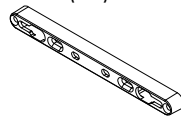


Screw
#10 x 2-1/2"
(2X)

* Not required *

~~9149.VISME
(#10 x 3/4")
(2X)~~

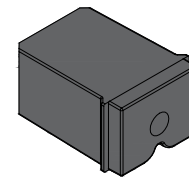
9250.GACHE
(1X)



9250.VISGA
(#10 x 1-3/4")
(4X)

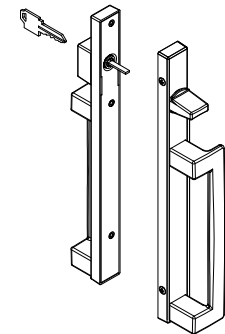
08375.58.SACn3.3V :

FINISHED Hardware bag



9150.CAPUC
(2X)

Handle
(model may differ
of illustration)

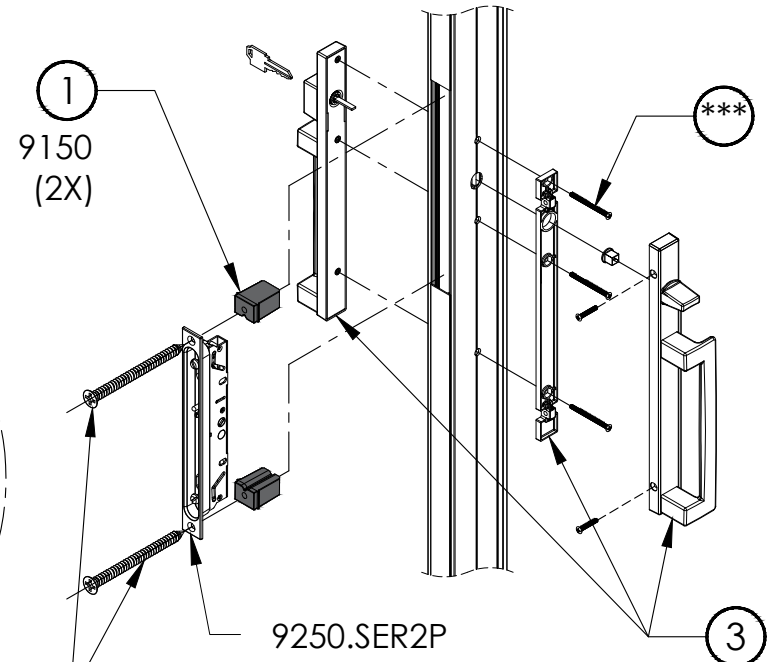
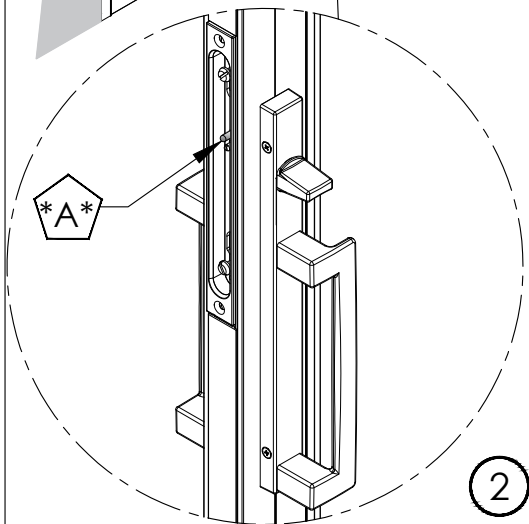
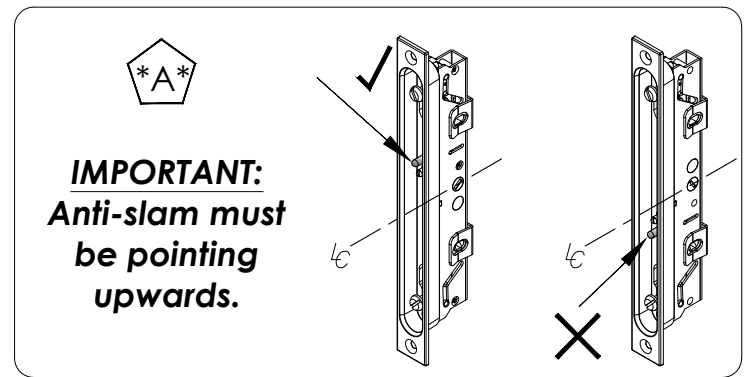
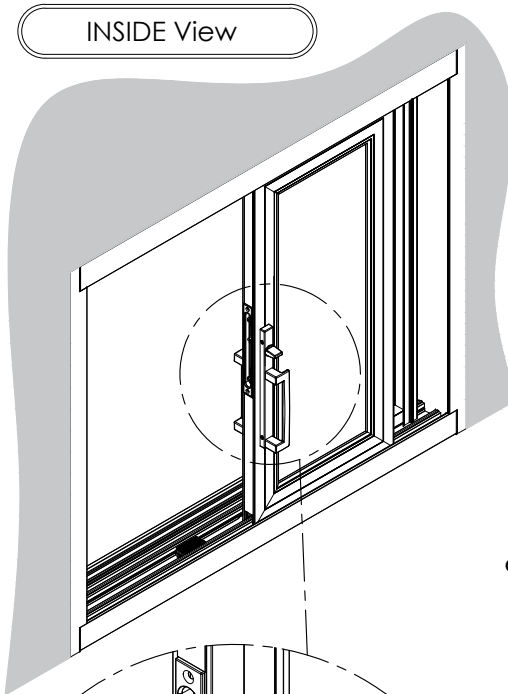
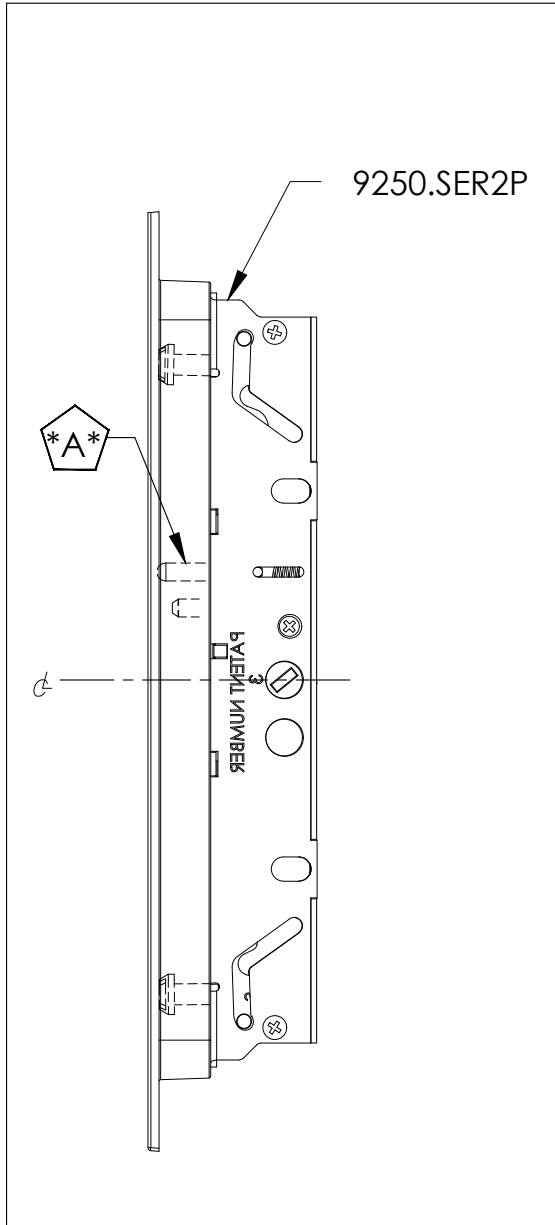




(Continued) Installation of Handle, Lock & Keeper

REVISION:
2020/05/26

PAGE:
P49

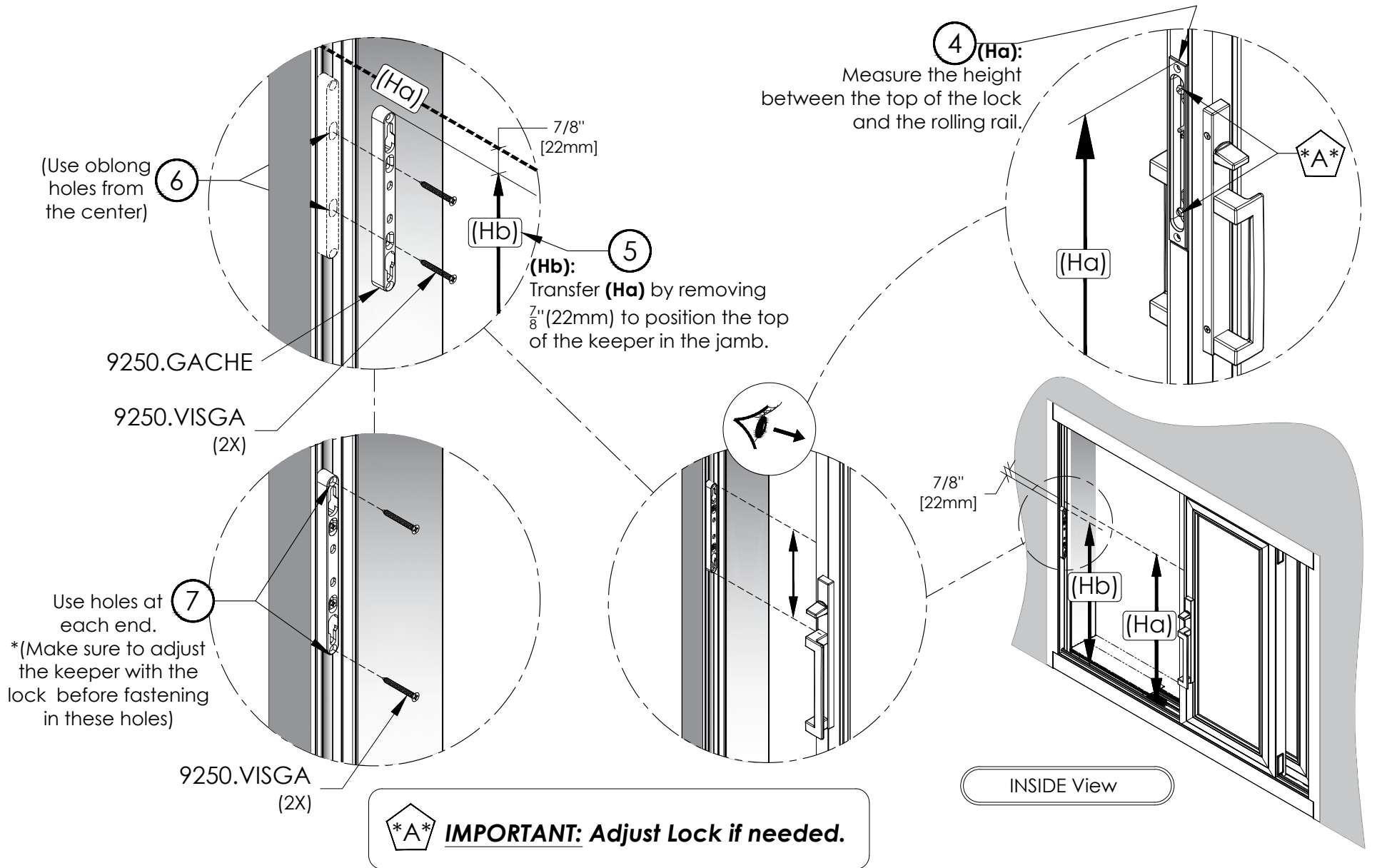


(#10 x 2 1/2" [64mm])

HANDLE MAY DIFFER
*****IMPORTANT:** Use white head screws
(Screw length according to PVC sash).



(Continued) Installation of Handle, Lock & Keeper



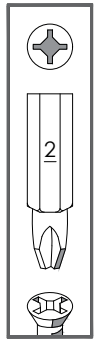


Installation of Drip Cap

REVISION: 2020/05/26

PAGE: P51

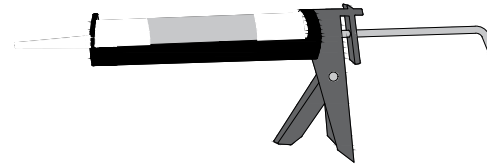
Tools and components required for this step



Screwdriver Bit (1X)

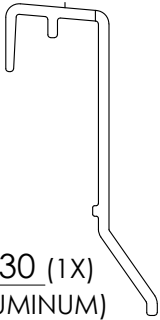
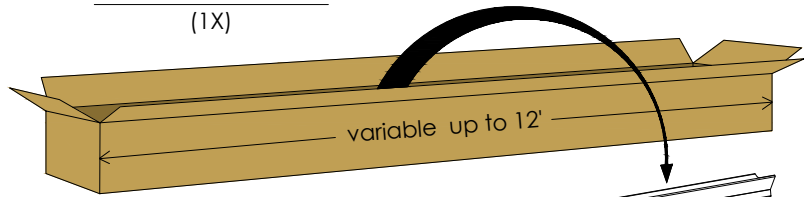


Impact (1X)

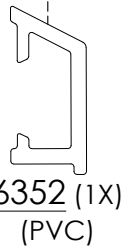


Compatible Sealant (min.1X)

! (OUT)
If painted door (OUT=Outside), rather use parts on red bag in Sill box.



9730 (1X) (ALUMINUM)



6352 (1X) (PVC)

08375.58.SACn3.3V : FINISHED Hardware bag

5/8" [16mm] 8813.VIS10 (4X)

Adhesive backside not required OXX

8377.GAPSF (1X)

! (OUT)

~~8395.58.CAPVS.G (1X) not required OXX~~

8395.58.CAPVS.D (1X)



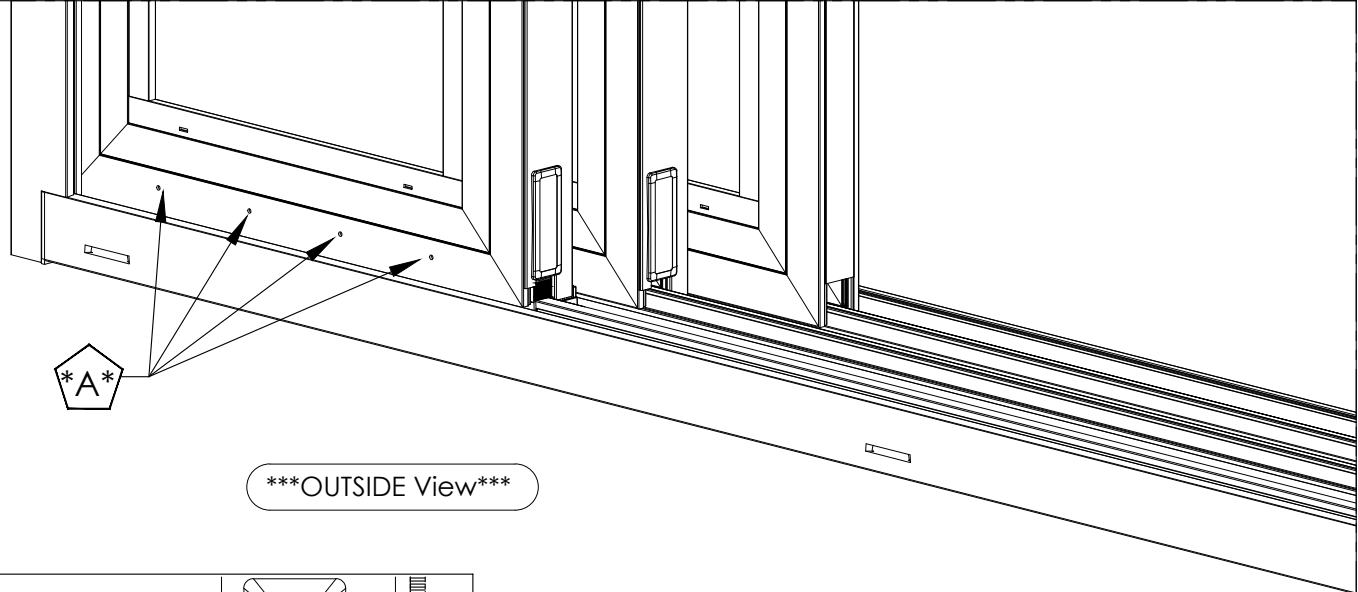
STEP:
17

(Continued) Installation of Drip Cap

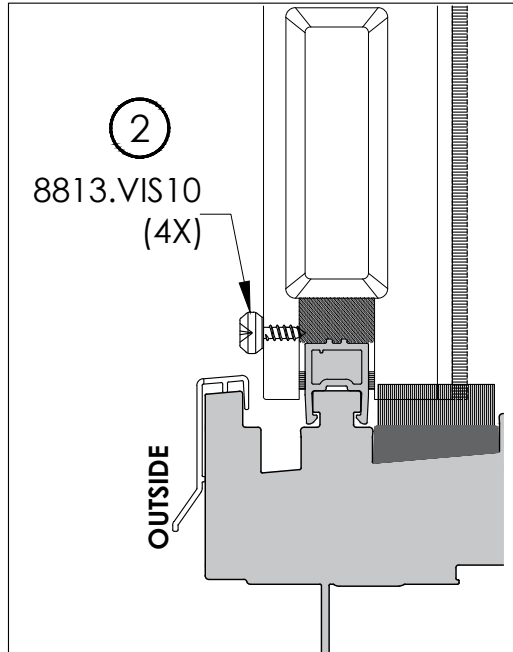
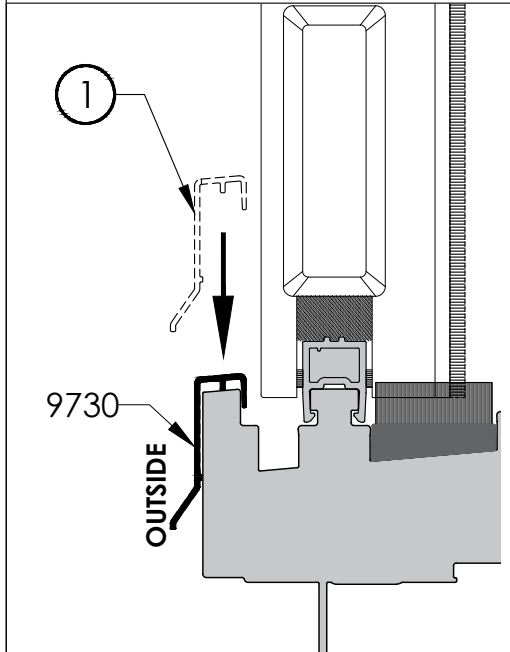
REVISION:
2020/05/26

PAGE:
P52

A
IMPORTANT:
Install a screw in each hole
after installing the 9730.

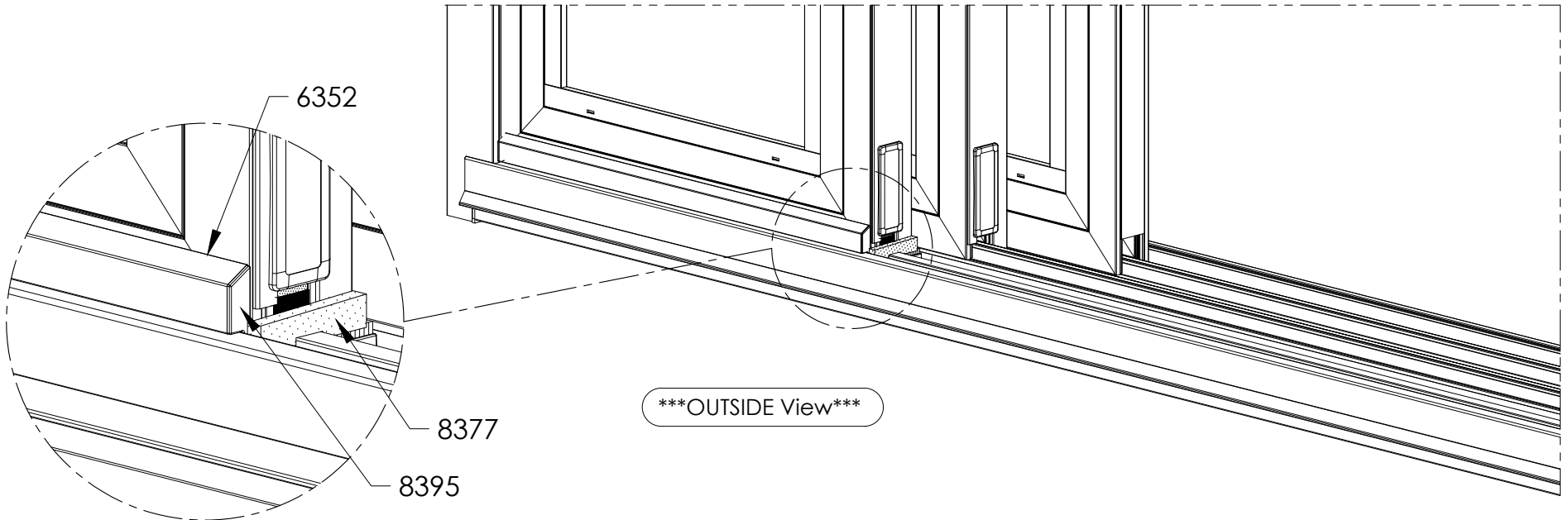
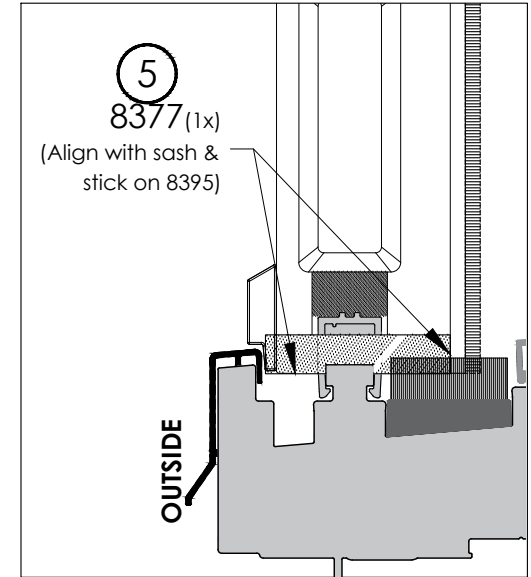
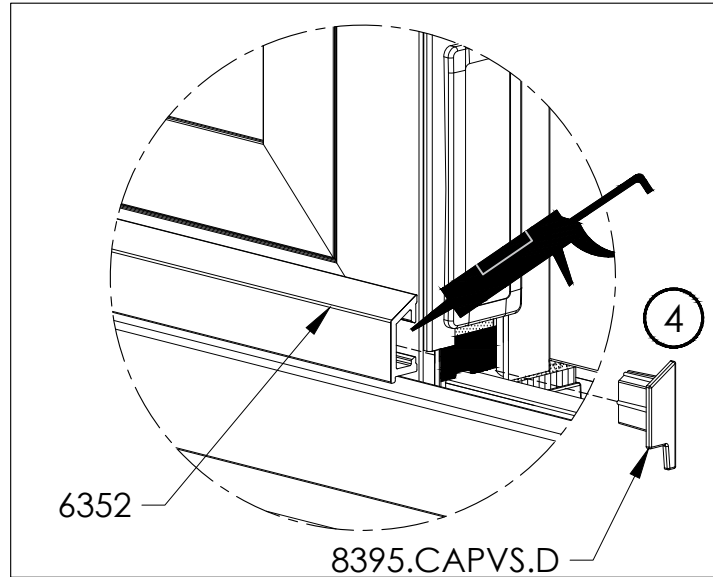
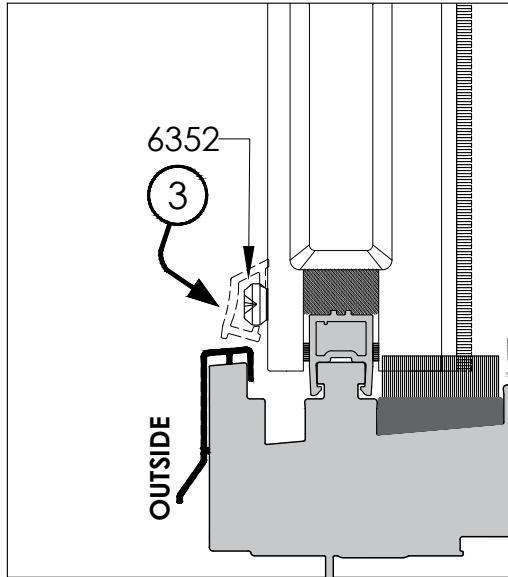


OUTSIDE View





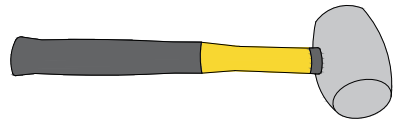
(Continued) Installation of Drip Cap



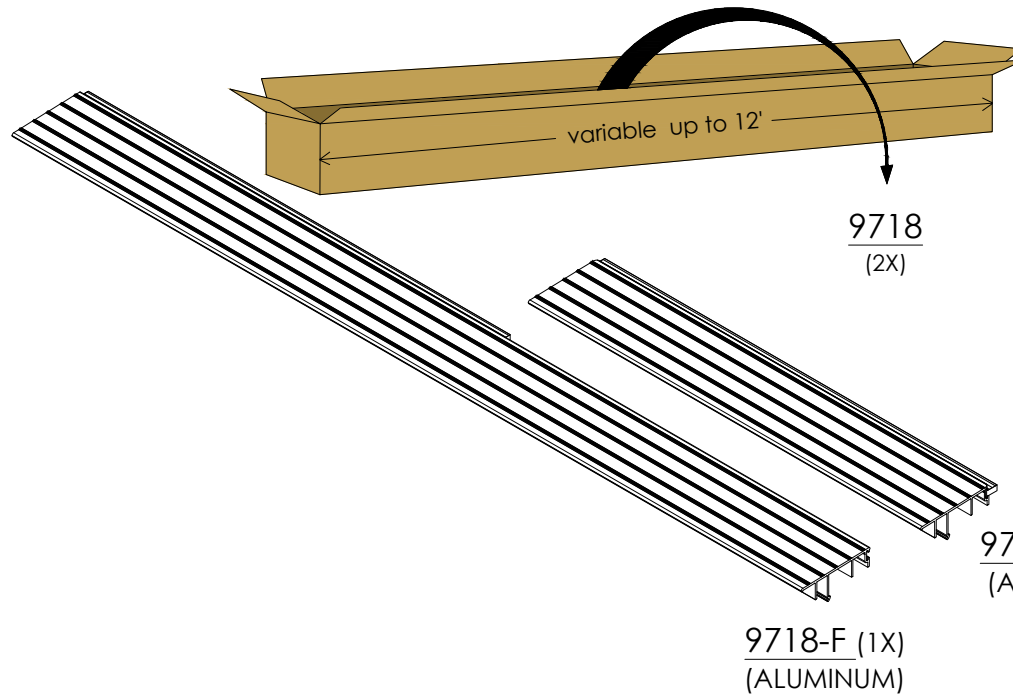


Installation of Sills Covers

*Tools and components required for this step **



Rubber Mallet
(1X)

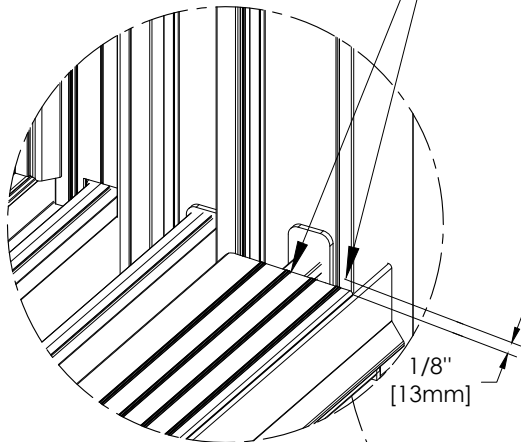




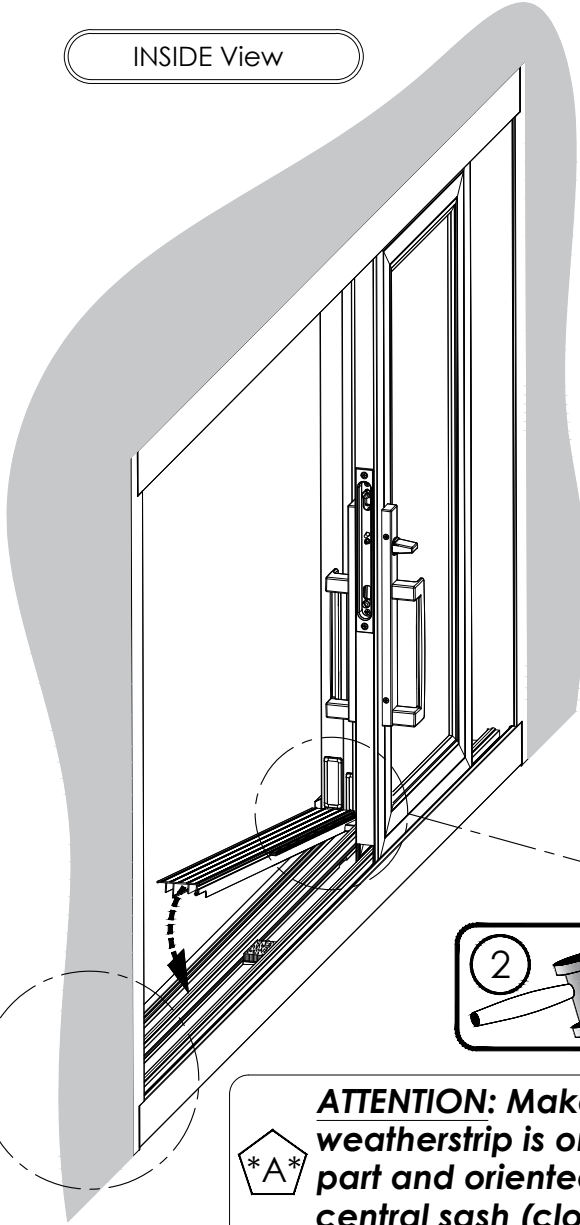
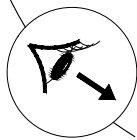
(Continued) Installation of Sills Covers

INSIDE View

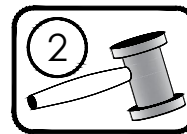
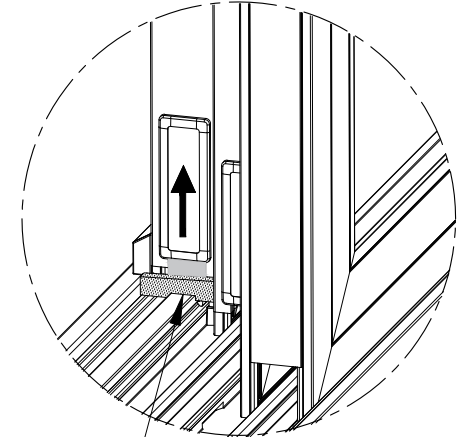
GAP required for jamb cover (About 1/8" [13mm])



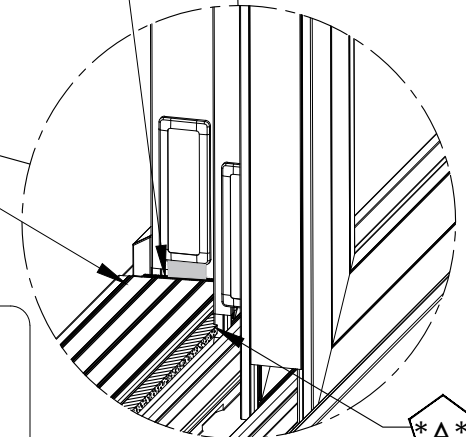
OUTSIDE View



1 INSURE TO COMPRESS THE FOAM



9718-F



ATTENTION: Make sure weatherstrip is on half of the part and oriented towards the central sash (closed position).





STEP:

18

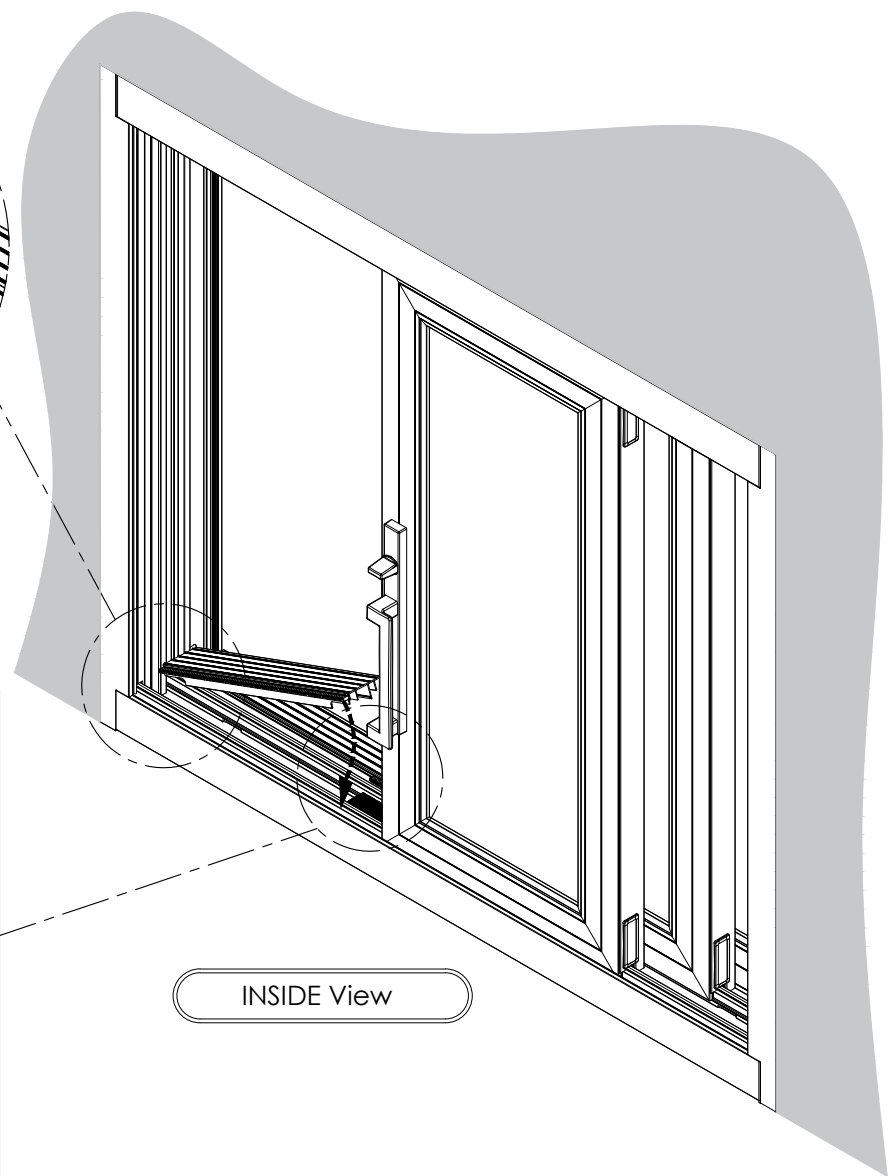
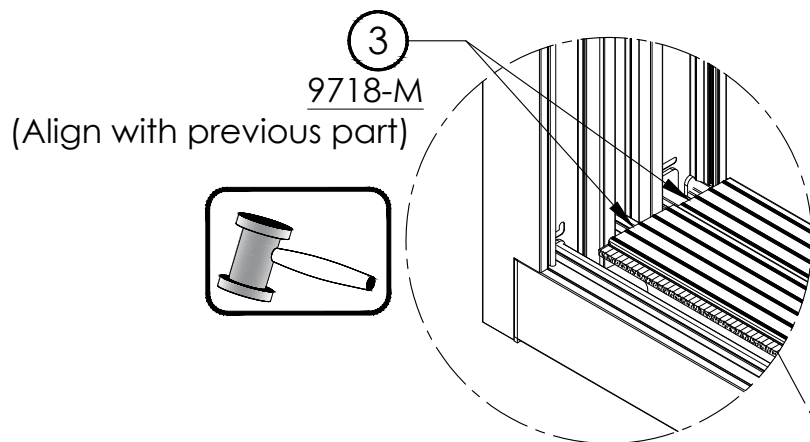
(Continued) Installation of Sills Covers

REVISION:

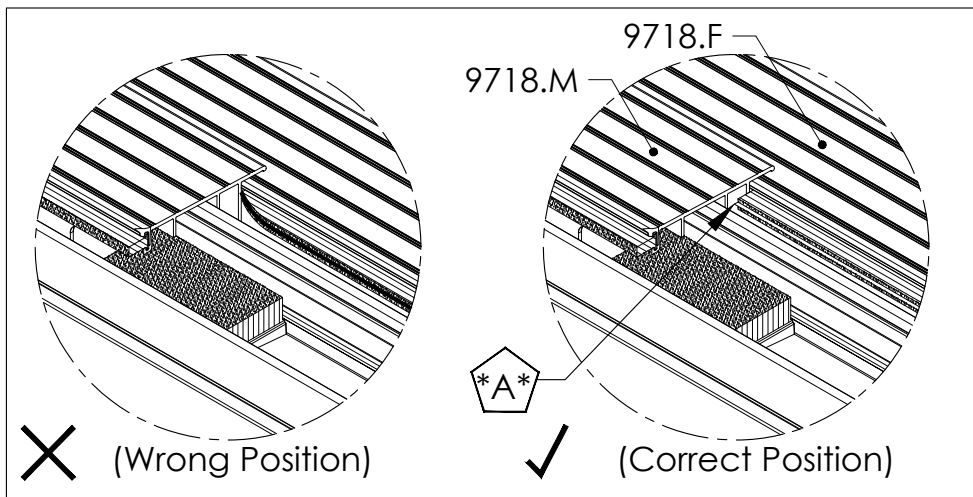
2020/05/26

PAGE:

P56

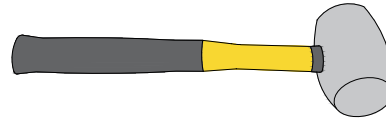
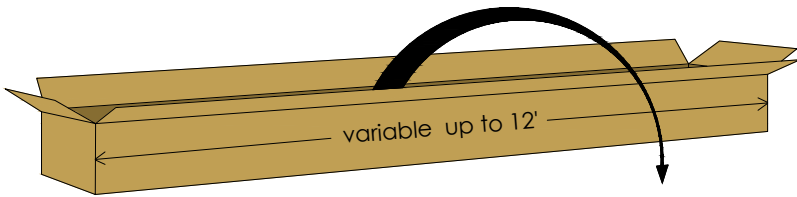


ATTENTION:
 A Verify that the fabric fin of the long part (9718-F) is not stuck behind the small part (9718-M).



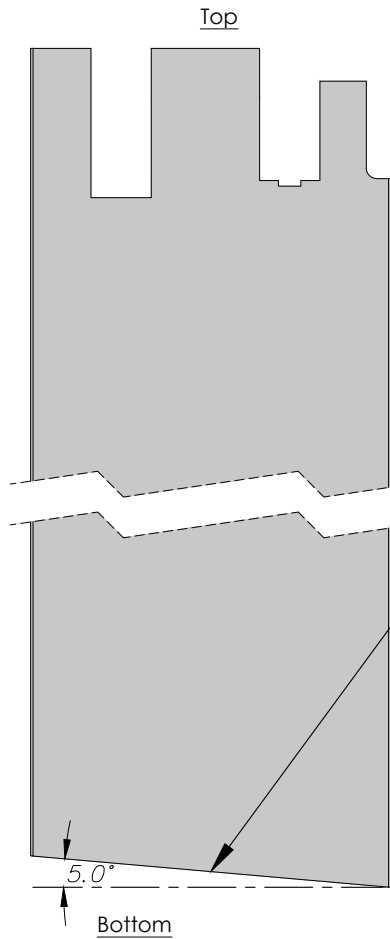


Installation of Jamb Cover (Outside)



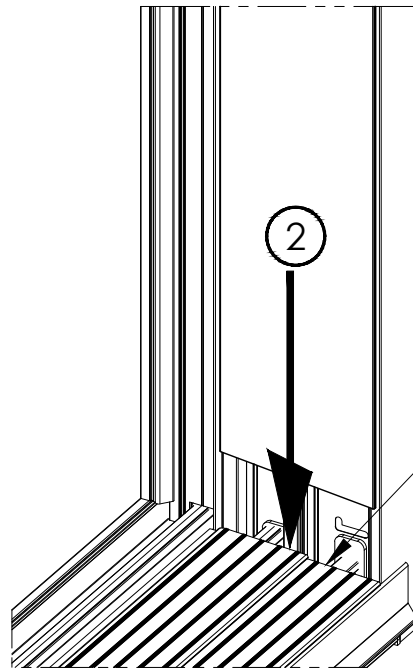
Rubber Mallet (1X)

1

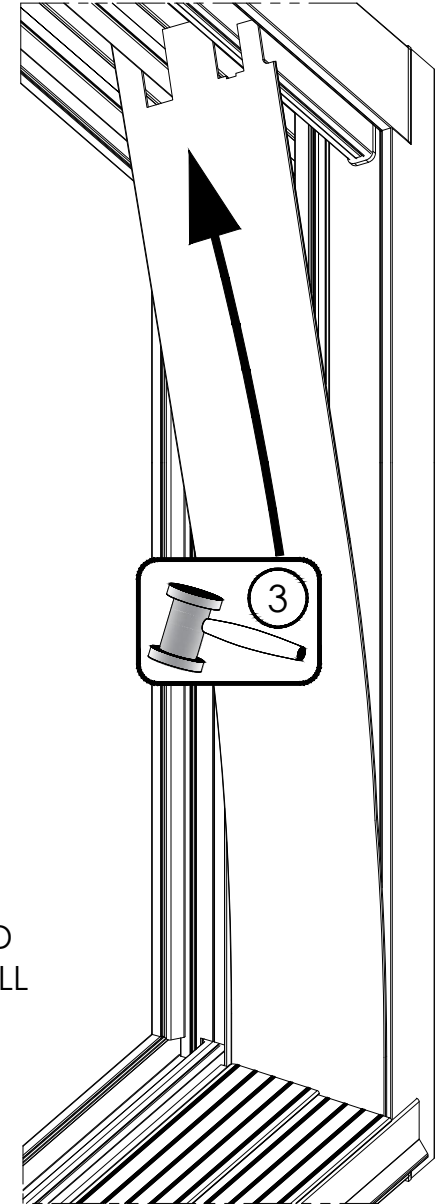


8313.(DE)

OUTSIDE View

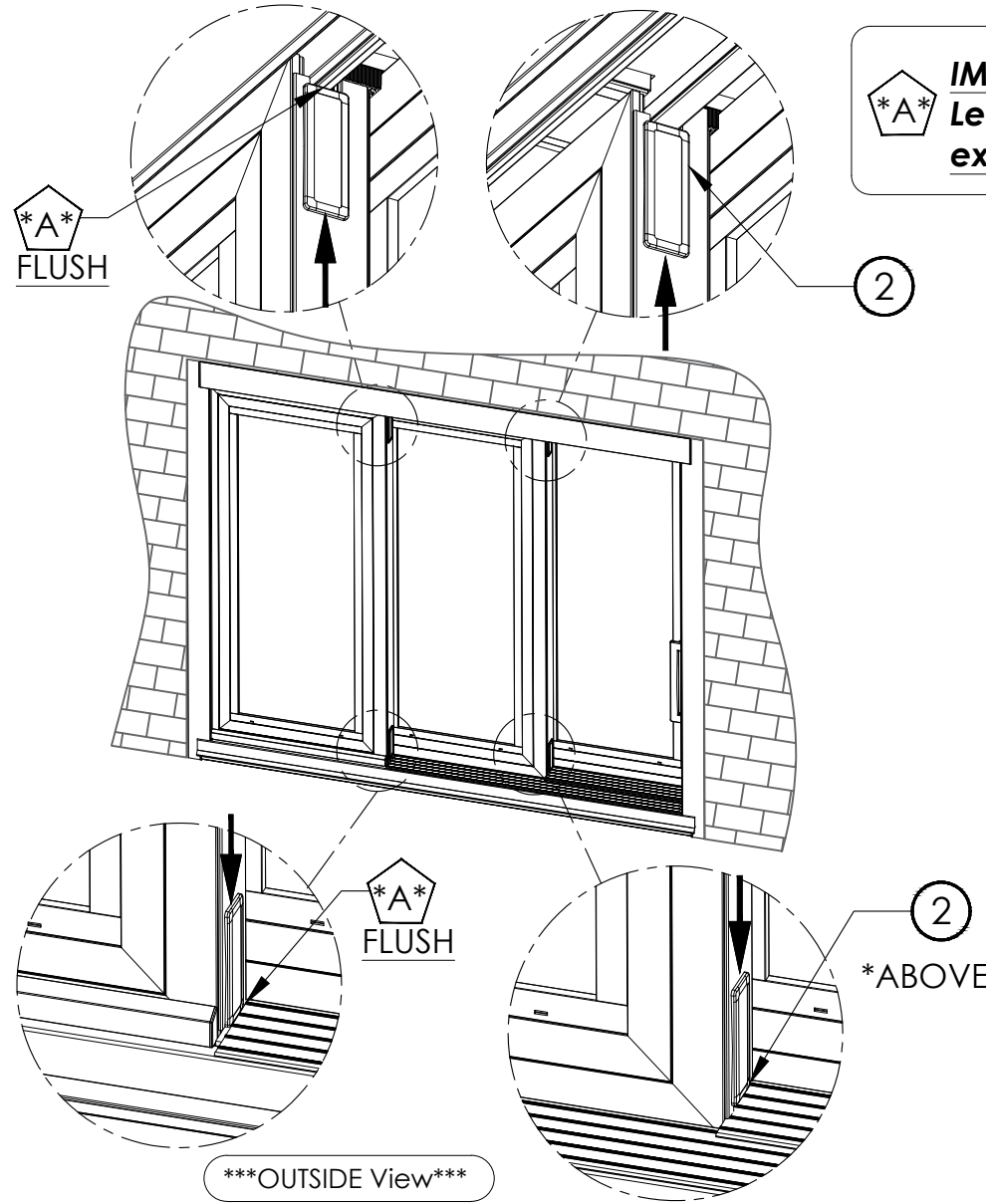


INSERT BEHIND ALUMINUM SILL PROTECTOR

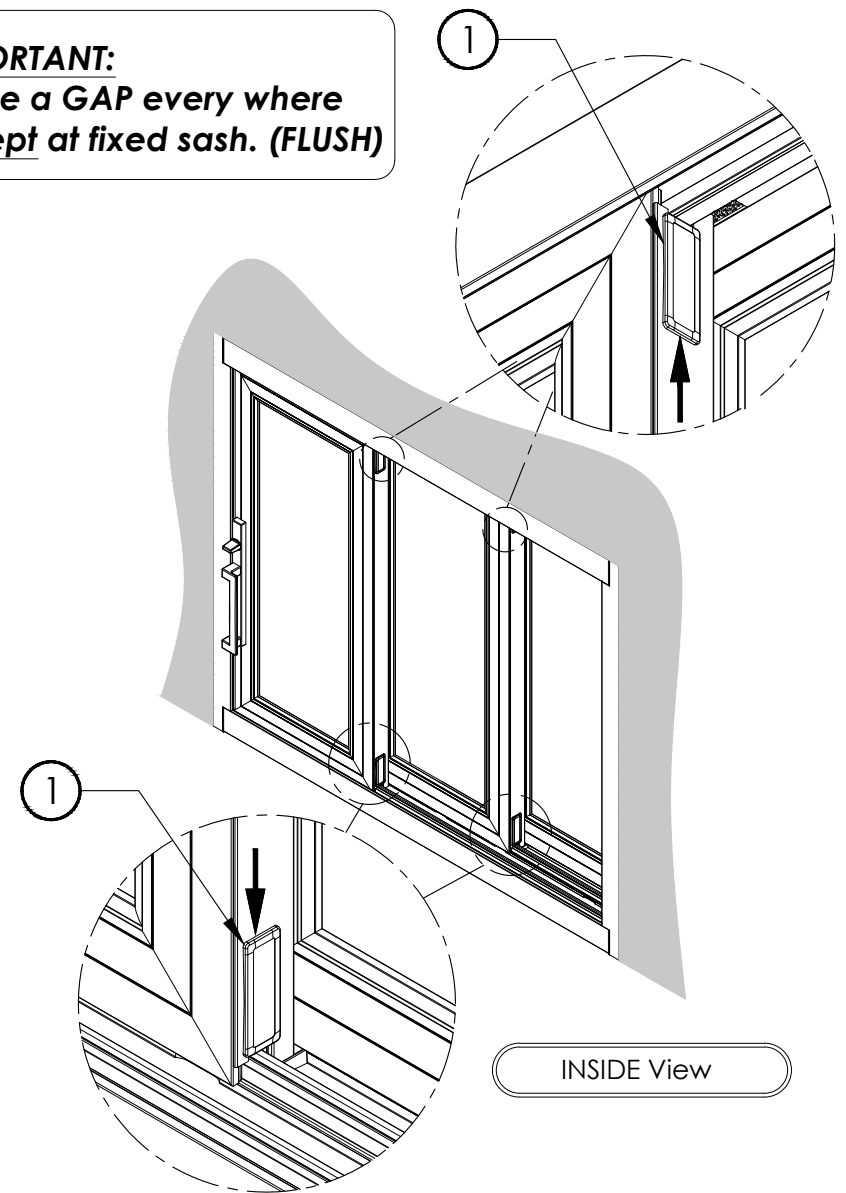




Final Ajustement



IMPORTANT:
Leave a GAP every where except at fixed sash. (FLUSH)





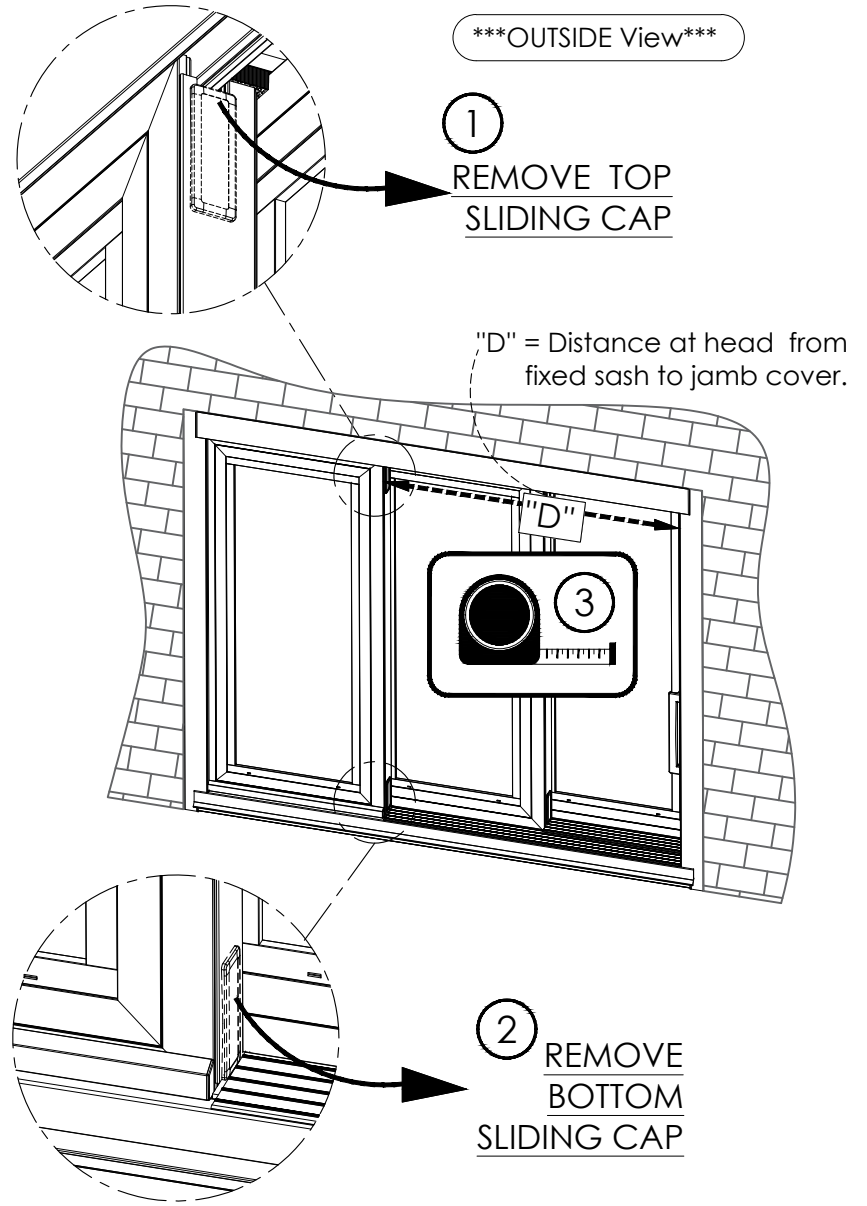
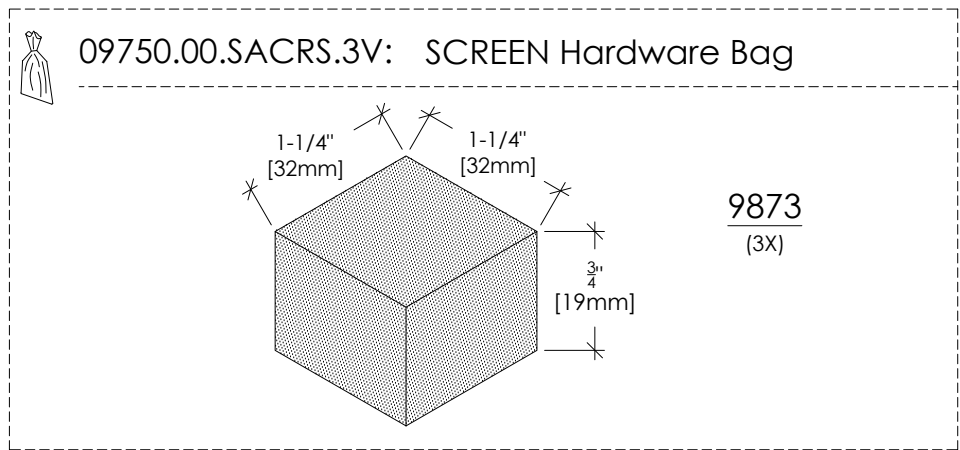
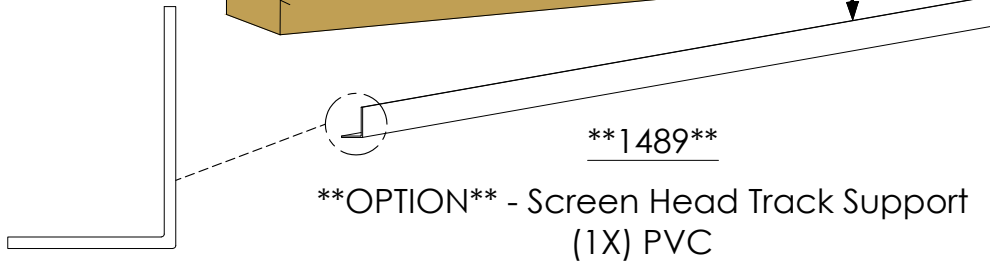
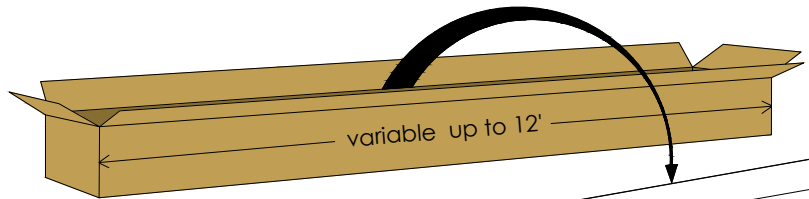
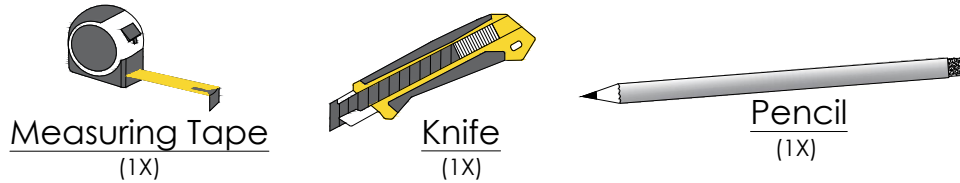
STEP: **21**

****OPTION** - Preparation for RETRACTABLE SCREEN Installation**

REVISION: 2020/05/26

PAGE: P59

IMPORTANT: ONLY NECESSARY IF DOOR IS WITH SCREEN.



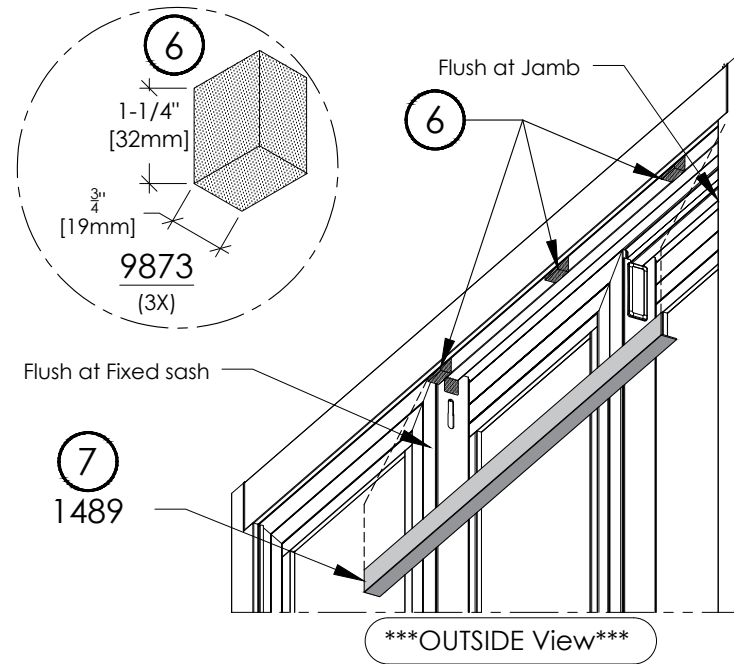
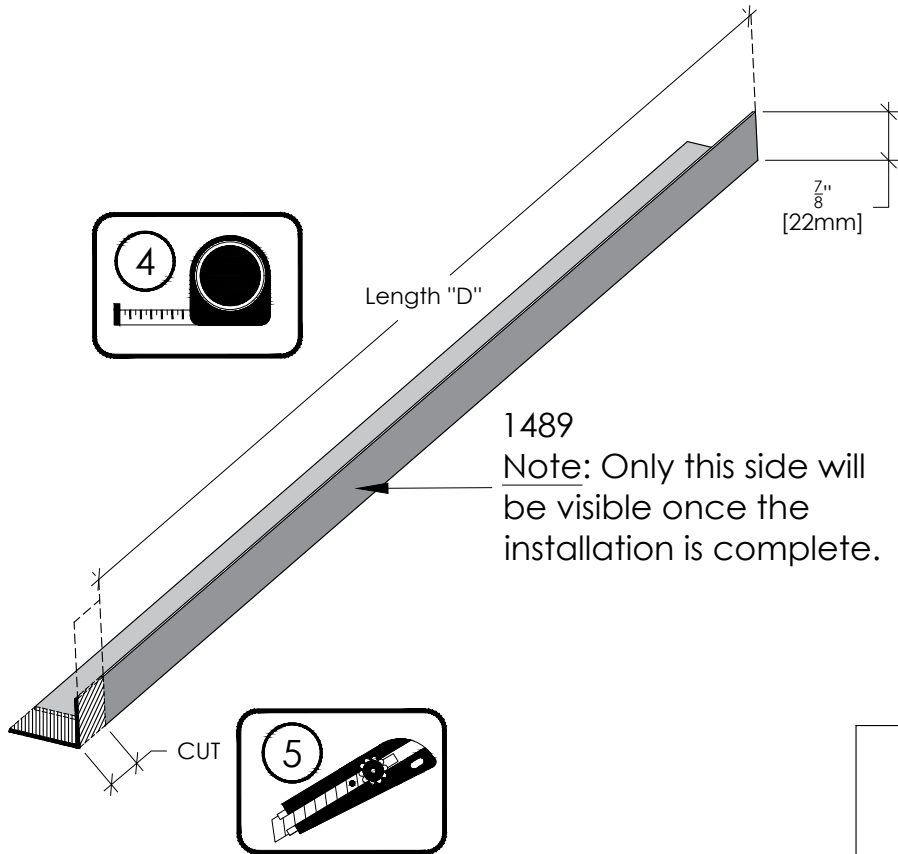


STEP:
21

****OPTION** - Preparation for RETRACTABLE SCREEN Installation**

REVISION:
2020/05/26

PAGE:
P60



A

Be sure to continue installing the screen, as the 1489 could fall if not held by the screen head track (See supplement 9950.00.GI.8300.3V.RS)

