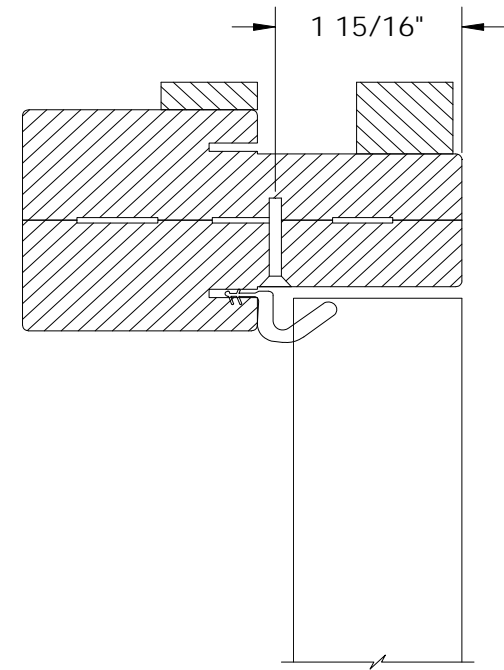


Item Number	Description	Quantity
1	Door	1
2	Transom	1
3	Corrugated Fasteners	4
4	1/4" x 1" Mull Casing	1
5	#8 x 1" Phillips Flat Head Screw	6



- Place a generous bead of silicone caulking along the head of the door unit
- With the door slab open, place the transom on top of the door and anchor the transom to the door frame using #8 x 1"
  - Place the screws behind the weatherstripping in the head 3" from each jamb and 6" on center
- Drive two corrugated fasteners into each jamb between the joint made between the transom and the door
- Cover the interior joint with the 1/4" x 1" mull casing provided