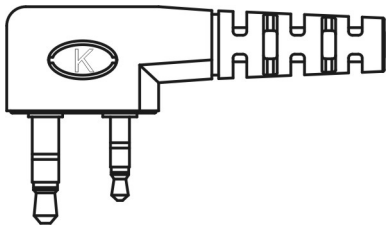
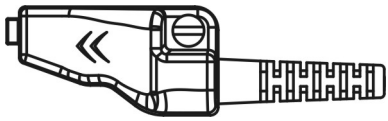
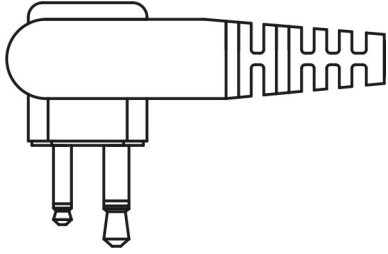
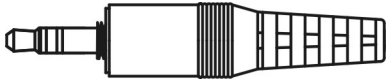
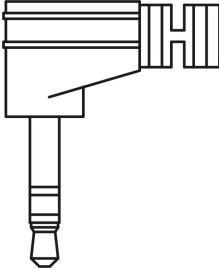
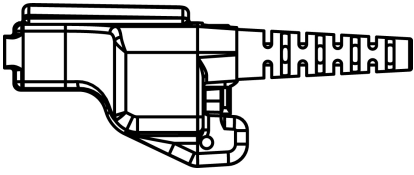
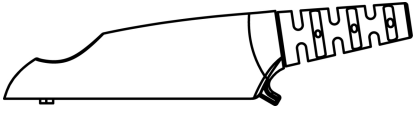

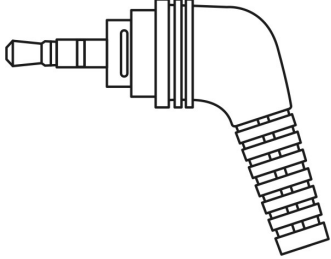
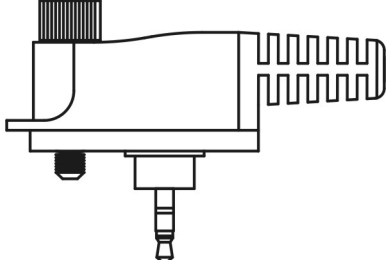
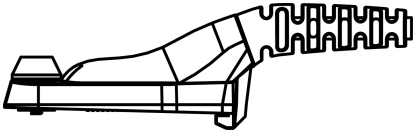
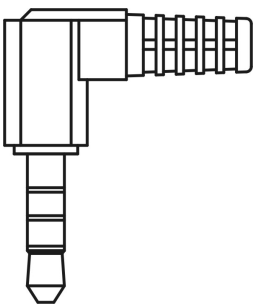
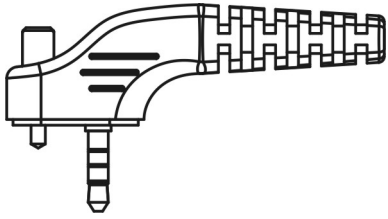
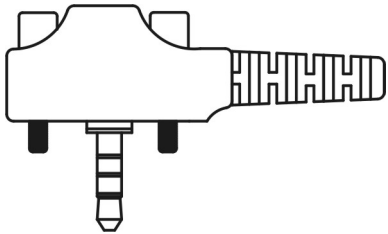
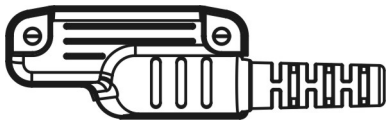

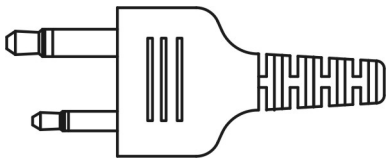
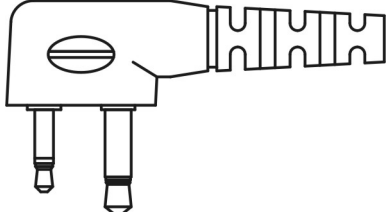
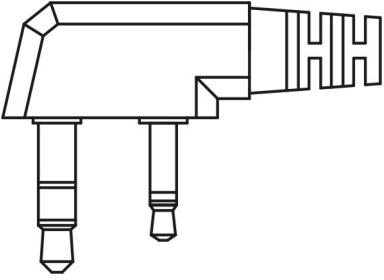
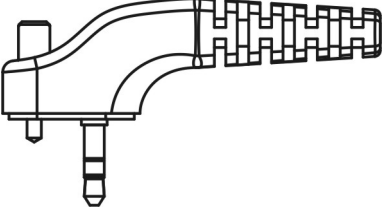
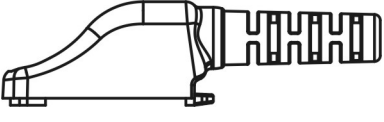
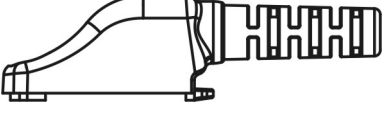
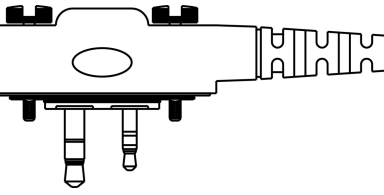
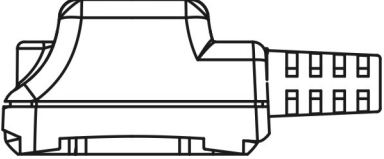
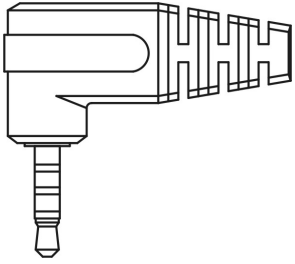
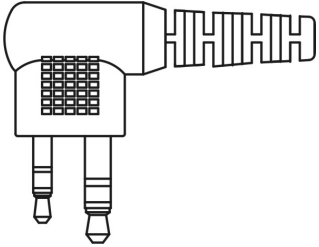
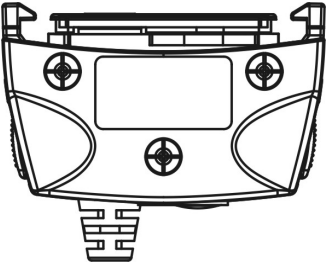
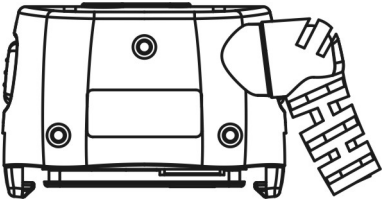
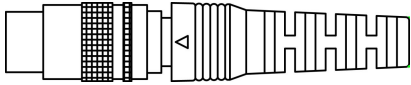


Connector Code	Connector Figure	Radio Models
K		<p>KENWOOD: TK-272G/372G, TK3130 ProTalk XLS, TK-3131 Free Talk XLS,TK-220/320, 240/340, 240D/340D, TK208/308, 430/431,250/350/353, TK260/270,260G/360G, 360/370, 270G/370G, 248/348, 2100/3100, 2160/3160 ProTalk, 3101 FreeTalk XL 2102/3102 ProTalk... etc. Radio</p>
K1		<p>KENWOOD: TK480/481, 290/390/280/380, TK-2140/3140...etc. Radio</p>
M		<p>MOTOROLA: GP300, SP50, P110, P-1225/P1225LS, LTS2000, CP88, CP150, CP200, CT150, CT250, CT450, CT450LS, GP308, P080, P2000, PRO2150, PRO3150, P040, P080, GP68, GP88, PR400,SP10, Sp21, XTN500, XTN600, PRO1150, CP100, PMR446, XTN446, XU1100, CLS1110, CLS1410, XU2600 ... etc. radio,HLN9716, HLN9482A... etc. Adaptor</p>
M1 1 USD		<p>MOTOROLA: VISAR radio, BDN6676, HLN9717, PMLN4455 adaptor Plug type: Ø 3.5mm S/P thread</p>
M2		<p>MOTOROLA: Spirit GT/ Spirit GT+/ Talkabout 270, 280/T289, T5100, T5200, T5600, T5620, T5700, T5720, T5800, T5820, T7200, fr50/f60... etc. FRS radio</p>
M3 6 USD		<p>MOTOROLA: XTS3000/Astro, XTS3500, XTS2500/XTS5000 and HT-1000 Series (HT-1000, MT2000, MTS3000, MTX8000, MTX838, MTX9000, MTX-LS, JT1000), Gp900... etc. Radio MTS2000</p>

<p>M4 3USD</p>		<p>MOTOROLA: HT750, HT1250, HT1250LS, HT1550/HT1550XLS, MTX850/MTX850LS, MTX8250/MTX8250SL, MTX950/MTX9250, GP140, GP320, GP328, GP338, Gp340,GP360, GP380, GP640, GP1280, PRO5150, PRO9150... etc. Radio</p>
<p>M5 3 USD</p>		<p>MOTOROLA: GP-344/388, GP-328+/338+, EX-500/600, GL-2000... etc. Radio</p>
<p>M6 0.5USD</p>		<p>MOTOROLA: MTH500, MTH650, MTH800, MTP850... ect. radio. Plug type: Ø 2.5mm S/P with copper ring</p>
<p>M6 0.5USD</p>		<p>MOTOROLA: MTH500, MTH650, MTH800... Etc. radio. Plug type: Ø 2.5mm S/P with copper ring MTP850</p>
<p>M7 5 USD</p>		<p>Motorola Multiple-Pin MTP850S Motorola Mototrbo DGP4150/4150+/6150/6150+ Motorola Mototrbo DP3400/3401/3600/3601 Motorola Mototrbo XiR P8200/8208/8260/8268 Motorola Mototrbo XPR6300/6500/6550</p>
<p>Y</p>		<p>VERTEX/YAESU: VX-400, VX-410, VX-420... etc. radio Plug type: Ø 3.5mm S/P 4C FT250</p>

Y1		<p>VERTEX/YAESU: VX-400, VX-410, VX-420... etc. radio Plug type: Ø 3.5mm S/P 4C</p>
Y2 0.5USD		<p>VERTEX/YAESU: VX-210 , VX-210A, VX-150, VX-160, VX-180, VX-246... etc. radio Plug type: Ø 3.5mm S/P 4C</p>
Y3		<p>VERTEX/YAESU: VX-600, VX-800, VX-900... etc. Radio</p>
Y4 1 USD		<p>VERTEX/YAESU: VX-7R... etc. radio Plug type: Ø 3.5mm S/P 4C thread FT270</p>
S		<p>ICOM: F3, F3S, F4, F4S, F4TR ,F10, IC-H2, H6, J12, M5, U12, U16, IC4008, 4088A...etc.radio YAESU/VERTEX: VX-310, VX200, VX500, VX-510L, VX-520U...etc. radio CHIEF TEK, ... etc. Radio</p>
S1		<p>MAXON: SP120, SP130, SP140, SL25, SI55, SI55+... etc. Radio</p>

S2		<p>ICOM: F3G, F3GS, F4G, F4GS MIDLAND ... Etc. Radio</p>
S3		<p>MAXON: SP-200, SP210, SL100 and Legacy Series-PL1145, PL2245, PL2215P, PL2245P, PL2415, PL2445, PL5161, PL5164...etc. Radio Plug type: Ø 3.5mm S/P</p>
I		<p>ICOM: F30G/F40G, F31GS/ GT/M88... etc. Radio</p>
I1		<p>ICOM: IC-F50, IC-F60, IC-F61, M87/88</p>
I2		<p>ICOM: F11, F11S, F21, F21S... etc. Radio</p>
SP		<p>Sepura: SRP2000 bottom connector</p>

		<p>Sepura : SRP-2000...etc. radio Plug type: Ø 2.5mm S/P 4C; right angle</p>
<p>H1</p>		<p>HYT2100/2108c,TC-500, TG-600,TC-700</p>
<p>N1 7USD</p>		<p>Small connector for Nokia:THR880i</p>
		<p>Big connector for Nokia:THR880i</p>
		<p>Six-Pin Hirose</p>