



Concrete Retaining Wall Blocks

*Plas-Crete and Concrete Retaining Wall Blocks for
Commercial, Industrial and Residential Applications*

Conigliaro Block, Inc.



September 2008



"The Best looking Big Blocks in the business"

(888) CONIG - 25
www.conigliaroblock.com

Inside:

- *Product Information*
- *Project Examples*
- *Typical Details*
- *Block Cut Sheets*

Conigliaro Block, Inc.

The Block Choice for :
Creativity • Versatility • Enhanced Performance • Price



For more information, or for a free price quotation, please call
our sales department:
701 Waverly Street, Framingham, MA 01702
(888)CONIG - 25, fax (508) 653-6672
www.conigliaroblock.com , sales@conigliaroblock.com



Segmental Wall Blocks

Mechanically Stabilized Earth Walls and Gravity Walls

Fast, simple installation - 25 blocks per hour with 2 man crew!

Minimum site preparation

Available Finishes: Standard Smooth, Rough Stone, Cut Stone, and our newest style—Quarry Cut

True-to-Size, 2' x 2' x 4' Standard — **or** — 2' x 1.5' x 4' SlimLine blocks. Other sizes available as required.

Our Segmental Wall Blocks are great for:

- Retaining Walls
- Raised Septic Systems
- Raised Roadways
- Wetland Crossings
- Highway Ramps
- Instant Building
- Foundations
- Material Bins
- And more

Strong, interlocking system, nestable, self-centering and self-leveling

Half size, flat-top caps and curved blocks available

Small or Large jobs - We will meet your schedule!

Conigliaro Block is also available for complete engineering, design, and consultative services

All blocks are available in Plas-Crete or poured to your specification



For more information, or for a free price quotation, please call our sales department:

701 Waverly Street, Framingham, MA 01702
(888)CONIG - 25, fax (508) 653-6672

www.conigliaroblock.com, sales@conigliaroblock.com



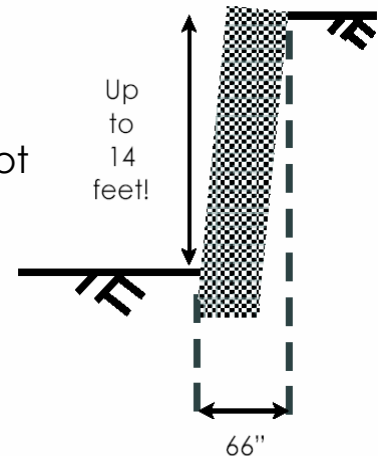
Introducing our exciting New Features...



The best looking big block in the business just got even better!

NEW Quarry Cut Designer Finish
Now available for all project types

If you are working close to a property line and cannot use geogrid, our new **GW Wall System** allows you to build up to 14' in height without geogrid!



Remember, Conigliaro Block, Inc offers:

- Smooth, Cut Stone, Rough Stone, and Quarry Cut finishes
- Fast, simple installation - 25 blocks per hour with 2 man crew!
- Small or large jobs - we'll meet YOUR schedule!
- Strong, interlocking system
- Two sizes available:
 - Standard: 2' x 2' x 4' (1850 lbs Plas-Crete, 2400 lbs Concrete)
 - OR -
 - SlimLine: 2' x 1.5' x 4' (1388 lbs Plas-Crete, 1800 lbs Concrete)
- Complete Design Services



For more information, or for a free price quotation, please call our sales department:

701 Waverly Street, Framingham, MA 01702
(888)CONIG - 25, fax (508) 653-6672

www.conigliaroblock.com , sales@conigliaroblock.com



Conigliaro Blocks in Action!



Large Walls...

Curves...



and Culverts.



For more information, or for a free price quotation, please call our sales department:

701 Waverly Street, Framingham, MA 01702

(888)CONIG - 25, fax (508) 653-6672

www.conigliaroblock.com , sales@conigliaroblock.com



Conigliaro Blocks in Action!

Urban Retaining Wall and Water Garden Project — **Constructed in just 3 days!**

Talk about a complex project!



Urban Location with Zero clearance between properties, 12' Drops

Tasked with saving a water garden, bamboo plants and an "old growth" oak tree.

Supporting and Reinstalling a Pedestrian Bridge



For more information, or for a free price quotation, please call our sales department:

701 Waverly Street, Framingham, MA 01702
(888)CONIG - 25, fax (508) 653-6672

www.conigliaroblock.com , sales@conigliaroblock.com



Conigliaro Blocks in Action!



**Seawalls by
Conigliaro Block,
Inc.**

Interlocking blocks designed
to withstand tidal pressures!



Entire project
completed in two
days!



For more information, or for a free price quotation, please call
our sales department:

701 Waverly Street, Framingham, MA 01702
(888) CONIG - 25, fax (508) 653-6672

www.conigliaroblock.com , sales@conigliaroblock.com



Conigliaro Blocks in Action!

Material Bins - Fast, Easy, Effective!



Featuring our most competitively priced bin block—the Econo-Block*. High recycled content. Tough and functional.

* This block available for material bins only.



For more information, or for a free price quotation, please call
our sales department:

701 Waverly Street, Framingham, MA 01702
(888) CONIG - 25, fax (508) 653-6672

www.conigliaroblock.com , sales@conigliaroblock.com



Conigliaro Blocks in Action!

Salt Sheds -The most cost effective way to construct your storage buildings.



1. Blocks easily stack to form the perfect foundation!



2. Directly attach covering structure to the top row of blocks



3. Move in material and equipment



For more information, or for a free price quotation, please call our sales department:
701 Waverly Street, Framingham, MA 01702
(888)CONIG - 25, fax (508) 653-6672
www.conigliaroblock.com , sales@conigliaroblock.com



Conigliaro Blocks in Action!

Salt Sheds (cont.)



Built-in buttress system strengthens side wall

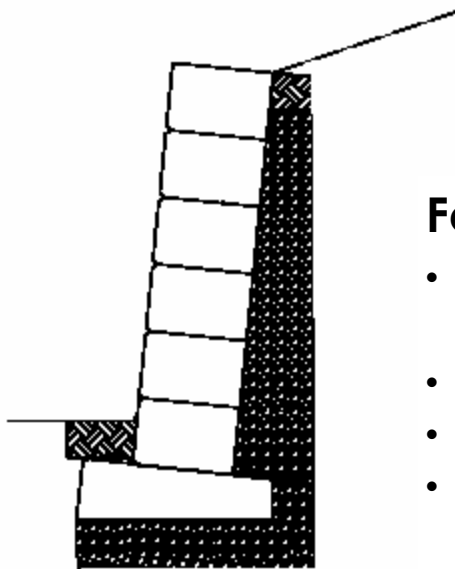


For more information, or for a free price quotation, please call
our sales department:
701 Waverly Street, Framingham, MA 01702
(888)CONIG - 25, fax (508) 653-6672
www.conigliaroblock.com , sales@conigliaroblock.com



Conigliaro Blocks in Action!

GW System Blocks



Features:

- No geogrid required for walls up to 14' in height
- Build 66" from property line
- No structural fill required behind wall
- Base block sets on level bed of crushed stone
- Self-centering and self-aligning



For more information, or for a free price quotation, please call our sales department:

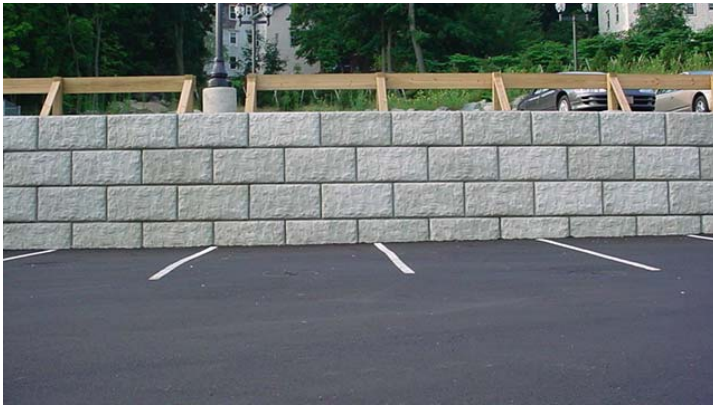
701 Waverly Street, Framingham, MA 01702
(888) CONIG - 25, fax (508) 653-6672

www.conigliaroblock.com , sales@conigliaroblock.com



Conigliaro Blocks in Action!

Parking Lots



Paved Toe



Concrete Toe



Railing Attached to Wall—Functional and Aesthetically Pleasing



For more information, or for a free price quotation, please call
our sales department:
701 Waverly Street, Framingham, MA 01702
(888)CONIG - 25, fax (508) 653-6672
www.conigliaroblock.com , sales@conigliaroblock.com



Conigliaro Blocks in Action!

Designer Finishes for the Look You Want at the Price You Need



Smooth Face with Smooth Face Cap*



Rough Stone Face with 1 Foot Rough Stone Cap*



Quarry Cut Face without Cap

*Cap Block available in Smooth or Rough Stone Face finish



For more information, or for a free price quotation, please call our sales department:
701 Waverly Street, Framingham, MA 01702
(888)CONIG - 25, fax (508) 653-6672
www.conigliaroblock.com , sales@conigliaroblock.com



Conigliaro Blocks in Action

Challenging Projects



The building in the background is a historic structure. Our wall was constructed just feet away!

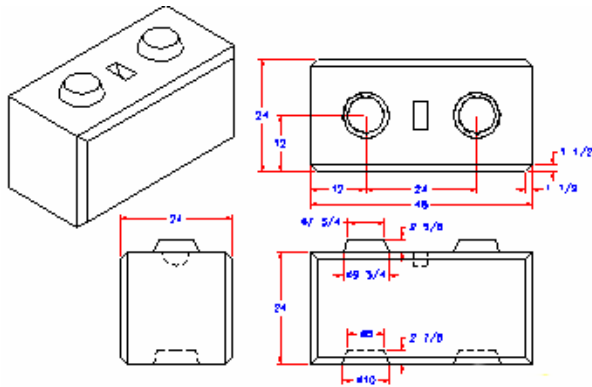
Our segmental blocks are designed to accommodate corners, angles, curves and stepped-down applications without a problem



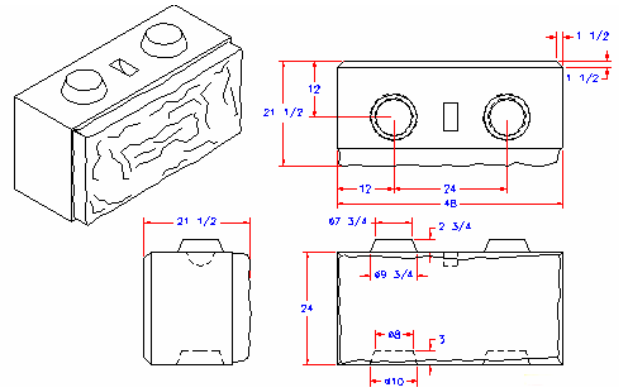
For more information, or for a free price quotation, please call our sales department:
701 Waverly Street, Framingham, MA 01702
(888) CONIG - 25, fax (508) 653-6672
www.conigliaroblock.com , sales@conigliaroblock.com



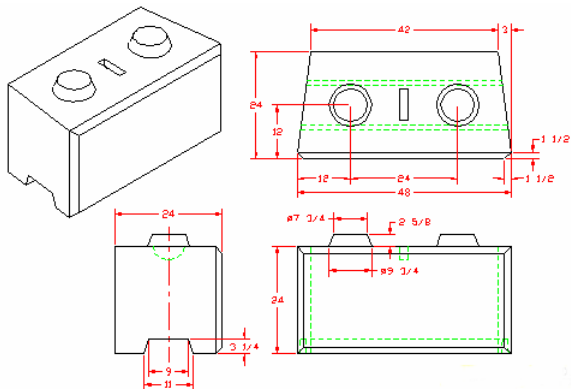
Block Dimensions



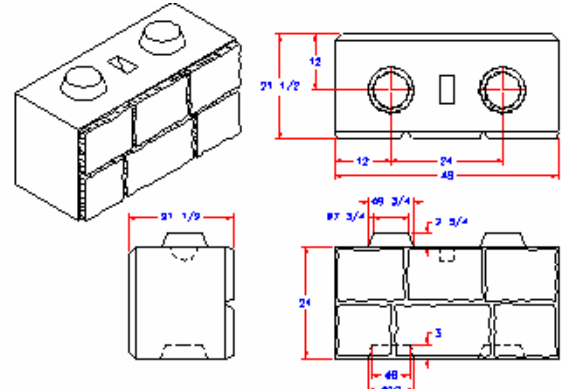
Smooth—Full Knob



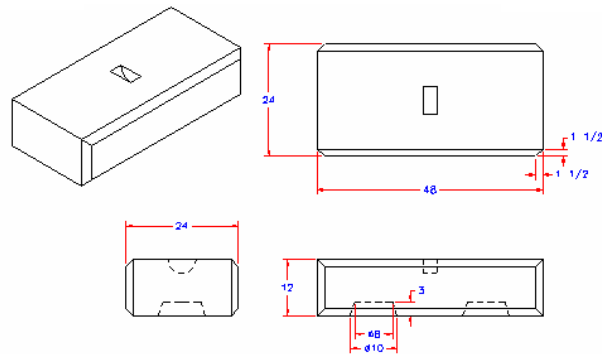
Rough Stone—Full Knob



Smooth—Radius Full Knob



Quarry Cut—Full Knob



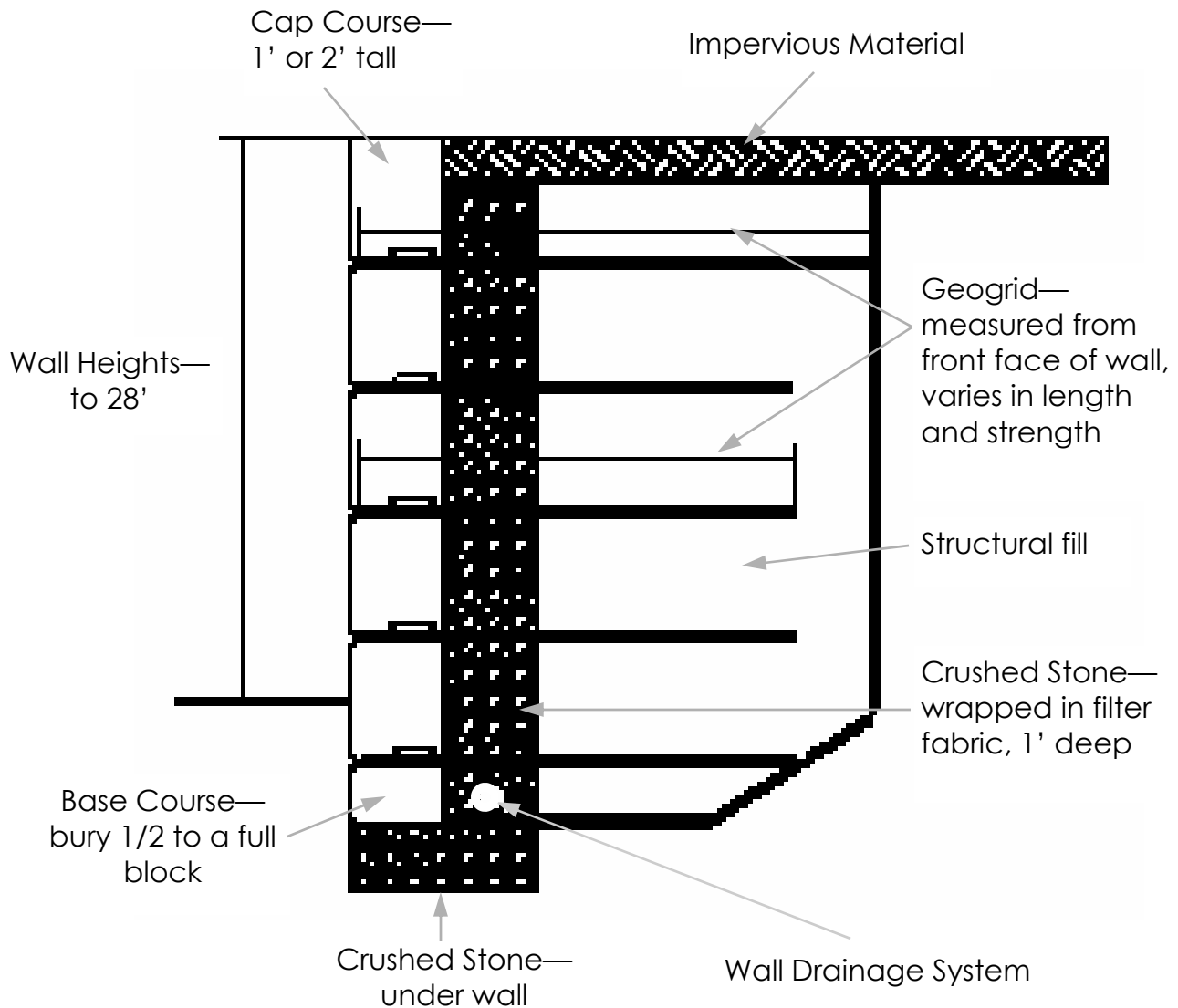
Full 1 Foot Cap



For more information, or for a free price quotation, please call our sales department:
 701 Waverly Street, Framingham, MA 01702
 (888)CONIG - 25, fax (508) 653-6672
www.conigliaroblock.com , sales@conigliaroblock.com



Typical Section



Engineering Data and Construction Manual available on our web site - www.conigliaroblock.com.



For more information, or for a free price quotation, please call our sales department:
 701 Waverly Street, Framingham, MA 01702
 (888) CONIG - 25, fax (508) 653-6672
www.conigliaroblock.com , sales@conigliaroblock.com



BlockLock System—For Enhanced Wall Strength

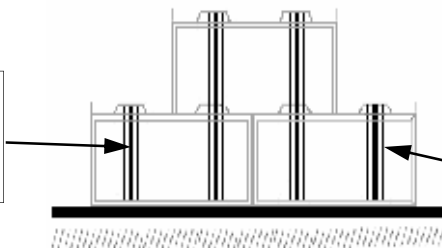


Conigliaro Industries' **BlockLock System** adds considerable muscle to installed Conigliaro Block Walls.

The BlockLock System includes:

1. Internal bollards cast into the Conigliaro Block during the manufacturing process.
2. Steel soldier pins are inserted into the internal bollards through all wall courses.
3. Grout is poured into the internal bollard tubes around the Steel Soldier Pins locking them into place.

Steel soldier pins are inserted through all wall courses.



Internal bollard tubes are precast into each block.



For more information, or for a free price quotation, please call our sales department:

701 Waverly Street, Framingham, MA 01702
(888) CONIG - 25, fax (508) 653-6672

www.conigliaroblock.com , sales@conigliaroblock.com



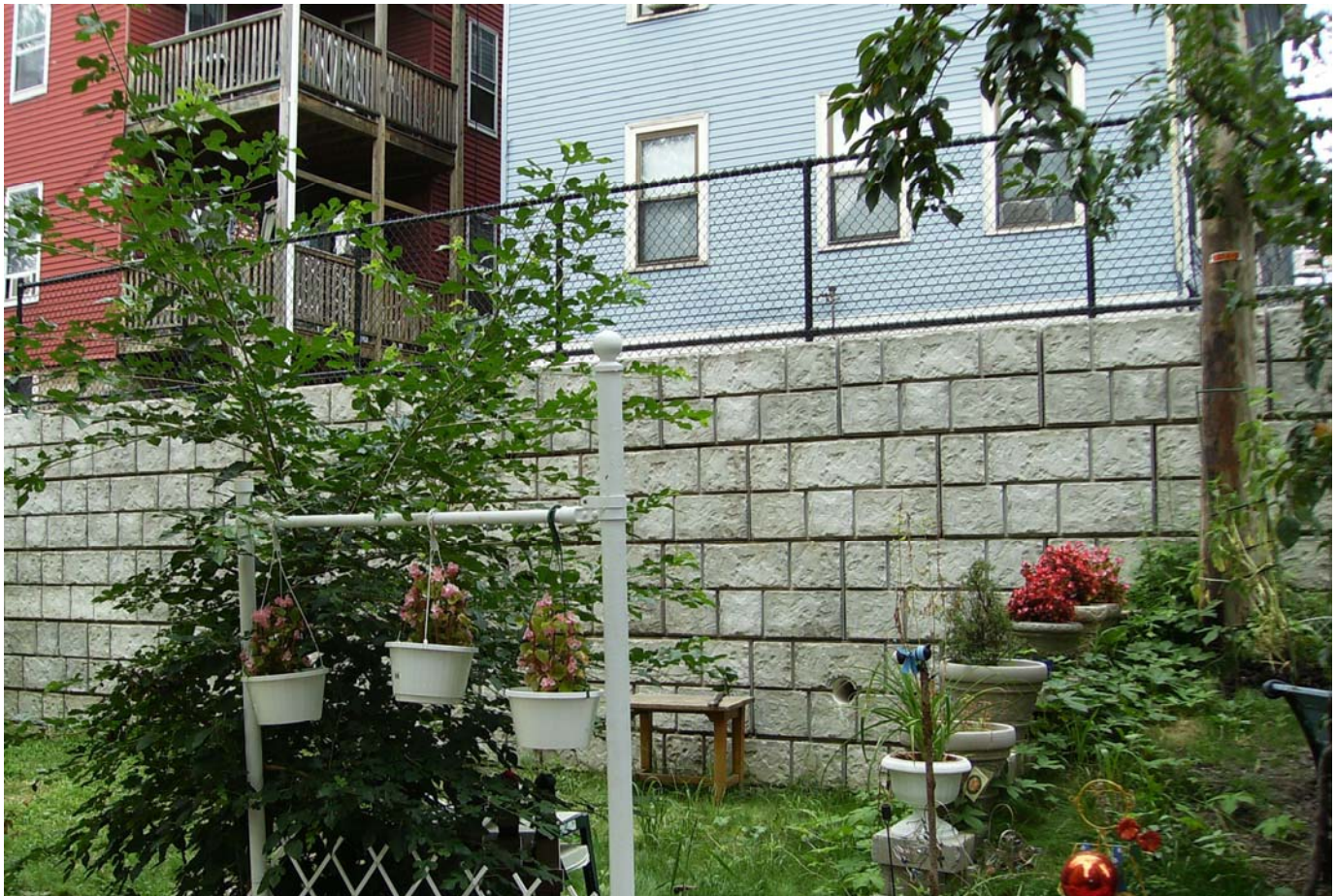
Conigliaro Blocks' dramatic elements for standing out ...



For more information, or for a free price quotation, please call
our sales department:

701 Waverly Street, Framingham, MA 01702
(888) CONIG - 25, fax (508) 653-6672

www.conigliaroblock.com , sales@conigliaroblock.com



... or subtle elements for blending in.



For more information, or for a free price quotation, please call
our sales department:
701 Waverly Street, Framingham, MA 01702
(888)CONIG - 25, fax (508) 653-6672
www.conigliaroblock.com , sales@conigliaroblock.com



September 2008 Product Brochure



701 Waverly Street, Framingham, MA 01702

(888)CONIG - 25, fax (508) 653-6672

www.conigliaroblock.com , sales@conigliaroblock.com

CB-BRO0908