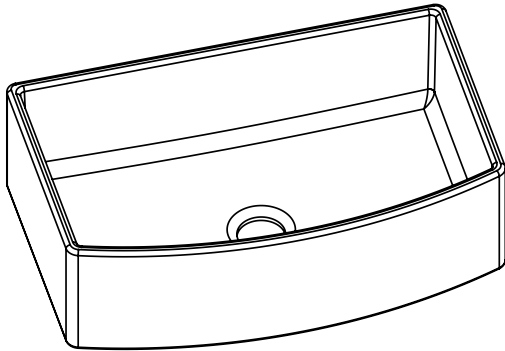


AMERICAN FIRECLAY
Fine Fireclay Farmhouse Collection

NEW YORK

SPECIFICATIONS



PRODUCT DETAILS

- Colour White
- Single Bowl
- Apron/Bow Front
- Centre Drain
- 3.50" Drain Opening
- Crafted from proprietary blend of Fine Fireclay Chamotte

INSTALLATION

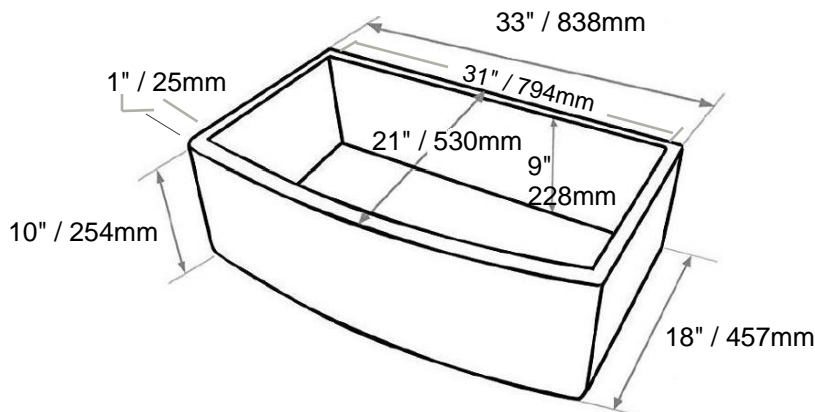
- Apron Front
- Undermount

COORDINATING PRODUCTS

- Drain: Polished 304 S/Steel

STANDARDS COMPLIANCE

- UPC/cUPC



MODELS	A	B	WEIGHT
AFC224	33"/838mm	18"/457mm	• 48 kg / 106 lbs Net Wt

OPTIONAL ACCESSORIES

304 S/S Basket Strainer

- Due to the nature of the product All dimensions/Weights are accurate +/- 2%

We strongly recommended to have the Sink on hand for measurements before manufacturing and cutting of cabinets and countertops. All responsibility remains with Purchaser. We assume NO responsibility whatsoever, Written or Implied for any costs due to incorrect measurements/manufacturing of materials and/or installation labour.