



Made With Pride In The U.S.A.



**Lumenite® Control Technology, Inc.**

2331 N 17th Ave. Franklin Park, IL 60131

Phone : 847-455-1450

<http://www.lumenite.com>

E-Mail : [customerservice@lumenite.com](mailto:customerservice@lumenite.com)

**SERIES LSTT-4220 LUMENITE  
SANITARY 4-20mA TEMPERATURE  
TRANSMITTERS  
3A LISTED AND CEE, THIRD PARTY VERIFIED**

**Single push button  
calibration**



**SINGLE PUSH BUTTON  
CALIBRATION—  
NO POTS TO ADJUST**

**DRIFT FREE DIGITAL  
LINEARIZATION**

**RE-RANGEABLE IN THE  
FIELD—ELIMINATES  
EXCESS INVENTORY**

**LED OVERRANGE  
INDICATION**

**AVAILABLE IN EVERY  
SANITARY TANK  
CONNECTION**

**NO TEMPERATURE  
SENSOR EFFECT ON  
ACCURACY**

**3 WIRE RTD SENSOR  
INPUT**

**ALL WETTED PARTS  
HIGHLY POLISHED  
316SS**

**NEMA 4X WATER-  
PROOF ,CORROSION  
RESISTANT  
HOUSING**

**STANDARD RANGE:  
-328°F TO 1562°F**





# Lumenite® Control Technology, Inc.

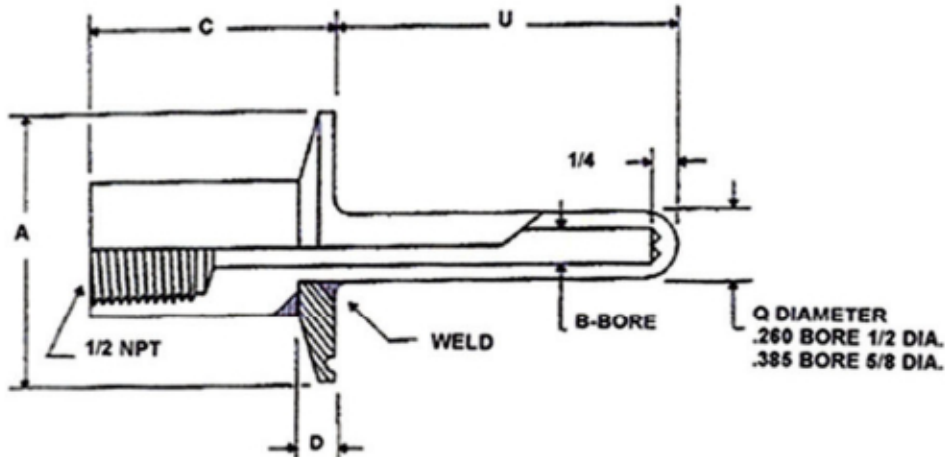
2331 N 17th Ave. Franklin Park, IL 60131

Phone : 847-455-1450

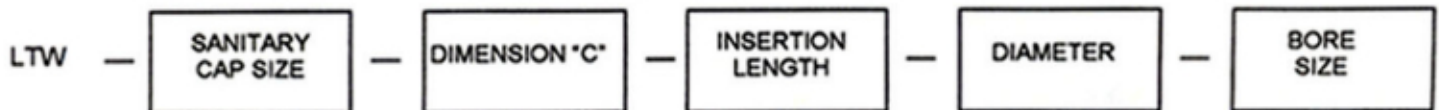
<http://www.lumenite.com>

E-Mail : [customerservice@lumenite.com](mailto:customerservice@lumenite.com)

## SERIES LTW—SANITARY THERMOWELLS



### SPECIFICATION /ORDERING KEY:



**EXAMPLE:** TYPE LTW-2-1.75-4.5-0.25-0.26 IS A 316 STAINLESS STEEL ELECTRO POLISHED THERMOWELL WITH 2" TRI-CLAMP TANK CONNECTION, 1.75 INCH "C" DIMENSION, 4.5 INCH INSERTION LENGTH, 0.25 INCH DIAMETER, AND 0.26 INCH BORE.

### STANDARD DIMENSIONS

CAP SIZE	A	D
1 1/2 IN	1.984	.250
2 IN	2.516	.250
2 1/2 IN	3.407	.250
3 IN	3.579	.250
4 IN	4.682	.250

STEM LENGTH	C	U	BORE SIZE
2 1/2	1.25	1.5	.260 OR .385
4	1.75	2.5	
6	1.75	4.5	
9	1.75	7.5	