

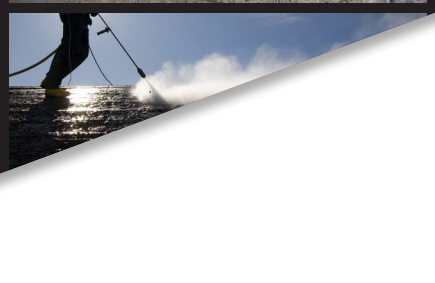


Southwire™

TOOLS & EQUIPMENT

2020 SAFETY

GFCI / ELCI / EGFPD



BUILT FOR DURABILITY.
BUILT FOR RELIABILITY.
BUILT FOR WORK.™

SOUTHWIRETOOLS.COM

OUR STORY

For over 60 years, Southwire has provided high quality electrical wire and cable to the commercial and industrial construction industries. Now, the name you trust provides durable, cutting-edge professional grade tools, designed with safety and productivity in mind. Look to Southwire® for solutions to all your electrical needs, from electrician’s hand tools, meters, contractor equipment, temporary power, and extension cords.



TABLE OF CONTENTS

- Ground Fault Circuit Interrupters (GFCI)
- Shock Shield® Right Angle Cord Sets
- Shock Shield® In-line Cord Sets
- Shock Shield® Single User Attachables
- Shock Shield® Auto Reset In-Line Cord Sets
- Shock Shield® Tri-Cords
- Shock Shield® Quad Boxes
- Shock Shield® GFCI/ELCI Panel Mounts
- Portable GFCI Receptacles
- High Power Equipment
- Ground Fault Protective Devices (EGFPD) and GFCI/ELCI Adjustables
- Specialty Products
- GFCI, ELCI, Combination Devices (GFCI/ELCI)

- X-Treme Box™ Portable Temporary Power Distribution Units.....
- Shock Shield® Outlet Tester.....
- Electra Check® Digital Monitor.....
- Cable Protection Systems.....
- Shock Shield® High Power GFCIs.....
- HD-PRO™ Heavy Duty ELCI 30A
- HD-PRO™ Heavy Duty ELCI 60A
- HD-PRO™ GFCI/ELCI Adjustables 6.10.30.....
- HD-PRO™ EGFPD Adjustables.....
- Wiring Instructions for High Power GFCI/ELCIs
- Yellow Jacket® & Black Jacket™
- Definitions
- OSHA Specifications and NEC Requirements.....



2020 GROUND FAULT CIRCUIT INTERRUPTERS GFCI



BUILT FOR DURABILITY.
BUILT FOR RELIABILITY.
BUILT FOR WORK.™

SOUTHWIRETOOLS.COM

SINGLE OUTLET RIGHT ANGLE GFCI ADAPTERS

Provides GFCI and single mode surge protection (listed UL 1449) with any appliance or tool used indoors. To prevent unmonitored equipment startup, manual reset is required after GFCI trip and power outage. Available in yellow with button boots or white. Provides compliance with National Electric Code (NEC 2008) Article 590.6 for "Temporary Installations." Its small size (less than 3" high and 2" wide) makes it perfect for the toolbox and offers portable protection for institutional and residential applications:

- Cost effective
- Perfect for Power Tools, Saws, Drills, Extension Cords, Lighting

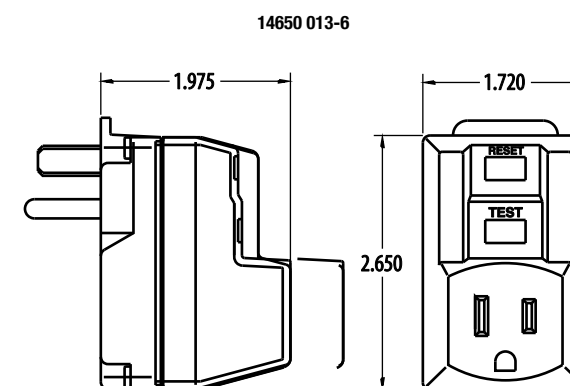
FEATURES

14650 006-6 (White) ⓘ
14650 013-6 (Yellow)

- Volts/Amps: 120V/15A
- NEMA 5-15 P & R
- Trip Level: 4 - 6 mA



TECHNICAL DATA	
GROUNDING NEUTRAL	4 Ohms Typical
TRIP RESPONSE TIME FOR GROUND FAULT AND GROUNDING NEUTRAL TRIP	Less Than 25ms and Grounding Neutral Trip
VOLTAGE SURGE WITHSTAND	3Kv Ringwave Test And 4Kv/2Ka Surge Immunity Test
RADIO FREQUENCY NOISE SUSCEPTIBILITY	Operates Within Normal Limits With 0.5 Volts Injected On Power Line 150Khz-230Mhz
FREQUENCY	50 / 60 Hz
ENDURANCE	3,000 Operations Minimum
OVERLOAD CURRENT	Six Times Rated Current
OPERATING TEMPERATURE RANGE	--35°C To 66°C
EFFECT OF 10 AMP TURN DC SHOCK FAULT TRIP	5% Maximum Trip Level Variation on Ground
INSULATION VOLTAGE	1500 Vrms - 1 Min.



BUILT FOR DURABILITY. BUILT FOR RELIABILITY. BUILT FOR WORK.™ | 5

GFCI RIGHT ANGLE SINGLE OUTLET CORD SETS MANUAL RESET

Ideal for use by contractors and industrial maintenance personnel working with extension cords or portable tools. Provides compliance with National Electric Code (NEC 2008) Article 590.6 for "Temporary Installations." Rainproof rated, UL listed for outdoor use. Standard lengths: 9', 6', 25', 50'. Custom cable gauges, lengths and terminations available by special order. To prevent unmonitored equipment startup, manual reset is required after GFCI trip and power outage. Available with yellow or black case.

APPLICATIONS INCLUDE:

- High Pressure
- Sprayer Washers
- Power Tools
- Drain Snakes
- Pumps
- Construction Sites
- Industrial Appliances

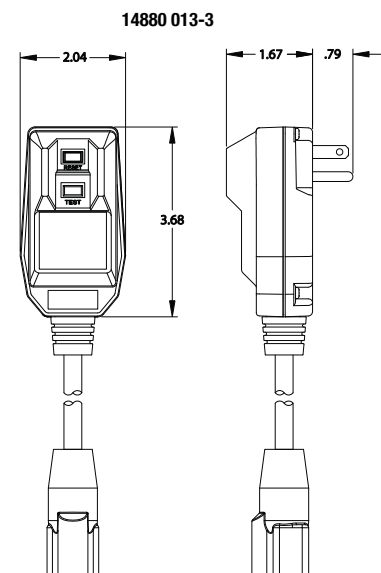
FEATURES

14880 001-6 (9')	14880 012-6 (9')
14880 024-3 (6')	14880 231-6 (2')
14880 074-2 (25')	14880 013-3 (6')
14880 122-1 (50') *	14880 018-3 (25')
Volts/Amps: 120V/15A	14880 029-1 (50') *
Cord Gauge: 14/3 AWG	Volts/Amps: 120V/15A
NEMA 5-15P & R	Cord Gauge: 12/3 AWG
Trip Level: 4 - 6 mA	NEMA 5-15P & R
	Trip Level: 4 - 6 mA



*Made to order

TECHNICAL DATA	
GROUNDING RESISTANCE	4 Ohms
TRIP RESPONSE TIME FOR GROUND FAULT AND GROUNDED NEUTRAL TRIP	Less Than 25M
VOLTAGE SURGE WITHSTAND	3kv ringwave test and 4kv/2kA surge immunity test
RADIO FREQUENCY NOISE SUSCEPTIBILITY	Operates Within Normal Limits With 0.5 Volts Injected On Power Line 150Khz-230Mhz
FREQUENCY	50/60 Hz
ENDURANCE	3,000 Operations Minimum
OVERLOAD CURRENT	Six Times Rated Current
OPERATING TEMPERATURE RANGE	-35°C to 66°C
EFFECT OF 10 AMP TURN DC SHOCK FAULT TRIP	5% Maximum Trip Level Variation on Ground
INSULATION VOLTAGE	1500 Vrms - 1 Min.
POWER ON INDICATION	Mechanical Indicator



GFCI RIGHT ANGLE WITH TRIPLE TAP CORD MANUAL RESET

Heavy duty molded T-head with three receptacles. The GFCI is an integral part of male plug. Provides protection for the extra heavy duty cord and three attached tools. 12 gauge cord is ideal for outdoor -rugged construction type environments. Standard length: 2', 6', 25', 50', 99'. To prevent unmonitored equipment startup, manual reset is required after GFCI trip and power outage. Provides compliance with National Electric Code (NEC 2008) Article 590.6 for "Temporary Installations."

APPLICATIONS INCLUDE:

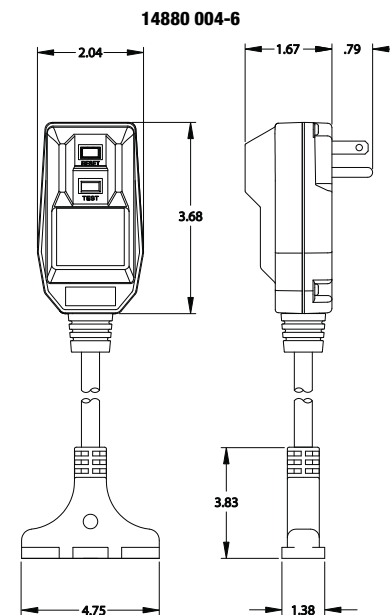
- Construction Sites
- Saws and Drills
- Portable Electric Power Tools
- Multiple Tools Use

FEATURES

*14880 023-6 (2')	14880 228-6 (25')
*14880 224-4 (2')	14880 229-6 (50')
14880 004-6 (6')	14880 230-4 (100')
14880 118-2 (25')	Cord Gauge: 12/3 AWG, SJEOW
14880 119-1 (50')	
14880 120-1 (99')	
Volts/Amps: 120V/15A	
Cord Gauge: 12/3 AWG	
NEMA 5-15P & (3)5-15R	
Trip Level: 4 - 6 mA	
*Lighted receptacle	



TECHNICAL DATA	
GROUNDING RESISTANCE	4 Ohms
TRIP RESPONSE TIME FOR GROUND FAULT AND GROUNDED NEUTRAL TRIP	Less Than 25M And grounded neutral trip
VOLTAGE SURGE WITHSTAND	3kv ringwave test and 4kv/2kA surge immunity test
RADIO FREQUENCY NOISE SUSCEPTIBILITY	Operates Within Normal Limits With 0.5 Volts Injected On Power Line 150Khz-230Mhz
FREQUENCY	50/60 Hz
ENDURANCE	3,000 Operations Minimum
OVERLOAD CURRENT	Six Times Rated Current
OPERATING TEMPERATURE RANGE	-35°C to 66°C
EFFECT OF 10 AMP TURN DC SHOCK FAULT TRIP	5% Maximum Trip Level Variation on Ground
INSULATION VOLTAGE	1500 Vrms - 1 Min.
POWER ON INDICATION	Mechanical Indicator



GFCI IN-LINE CORD SETS WITH AUTO RESET

The in line user attachable GFCI cord set is ideal for existing equipment without GFCI protection. Rainproof rated, UL listed for outdoor use. Manual reset is required after GFCI trip and does not have to be reset with loss of power. Allows compliance with National Electric Code (NEC 2008) Article 590.6 for "Temporary Wiring" and OSHA regulation. Available in black only.

APPLICATIONS INCLUDE:

- Drain Snakes
- Floor Cleaners
- Signs Refrigeration
- Pumps
- Vending Machines
- Spas

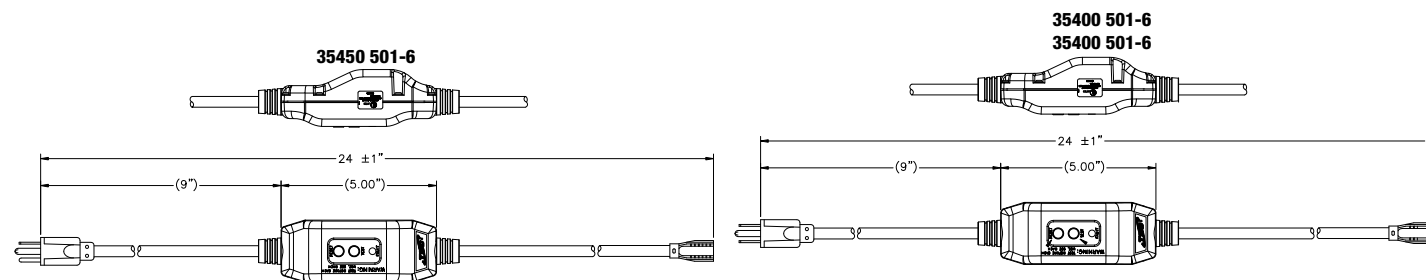
FEATURES

35400 501-6 (2')
Volts/Amps: 120V/15A
Cord Gauge: 14/3 AWG.
NEMA 5-15P & R Trip
Level: 4 - 6 mA

35450 501-6 (2')
Volts /Amps: 120V/20A
Cord Gauge: 12/3 AWG
NEMA 5 - 20 P & R Trip
Level: 4-6 mA



TECHNICAL DATA	
TRIP RESPONSE TIME FOR GROUND FAULT AND GROUNDED NEUTRAL TRIP	Less Than 25M And grounded neutral trip
VOLTAGE SURGE WITHSTAND (MOV Protection)	operates within normal limits with 0.5 volts injected on power line 150kHz-230mhz
RADIO FREQUENCY NOISE SUSCEPTIBILITY	Operates Within Normal Limits With 0.5 Volts Injected On Power Line 150Khz-230Mhz
FREQUENCY	60 Hz
ENDURANCE	3,000 Operations Minimum
OVERLOAD CURRENT	Six Times Rated Current
OPERATING TEMPERATURE RANGE	-35°C to 66°C
INSULATION VOLTAGE	1500 Vrms - 1 Min.
FAULT INDICATION	Lighted Indicator



GFCI IN-LINE CORD SETS MANUAL RESET

Excellent for industrial plant maintenance, equipment service and construction site applications. Provides compliance with National Electric Code (NEC 2008) Article 590.6 for "Temporary Installations." Rainproof rated, UL listed for outdoor use. Custom cable gauges, lengths and terminations available by special order. To prevent unmonitored equipment startup, manual reset is required after GFCI trip and power outage.

APPLICATIONS INCLUDE:

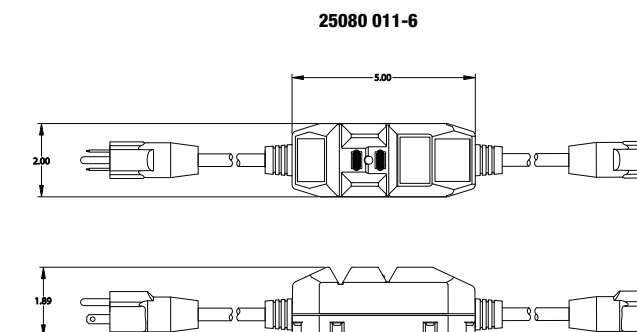
- High Pressure Sprayer Washers
- Construction Site Power Tools
- Drain Snakes
- Pumps
- Construction Sites
- Industrial Appliances

FEATURES

25080 011-6 (2') 25080 016-3 (6') 25080 025-2 (25') Volts /Amps: 120V/20A Cord Gauge: 12/3 AWG NEMA 5-20 P&R, Yellow Trip Level: 4-6 mA	25090 001-6 (2') 25090 006-3 (6') Volts /Amps: 240V/15A Cord Gauge: 14/3 AWG NEMA 6-15 P&R, Yellow Trip Level: 4-6 mA	26000 011-6 (2') 26000 016-3 (6') 26000 125-2 (25') Volts /Amps: 240V/20A Cord Gauge: 12/3 AWG NEMA 6-20 P&R, Black Trip Level: 4-6 mA
---------------------------------------------------------------------------------------------------------------------------------------------------------------------	------------------------------------------------------------------------------------------------------------------------------------------------	--------------------------------------------------------------------------------------------------------------------------------------------------------------------

26020 002-6 (2') *26020 121-6 (2') 26020 007-3 (6') 26020 124-2 (25') 26020 050-1 (50') 26020 099-1 (100') Volts /Amps: 120V/15A Cord Gauge: 14/3 AWG NEMA 5-15 P&R, Black Trip Level: 4-6 mA *Lighted receptacle	26020 011-6 (2') *26020 115-6 (2') 26020 016-3 (6') 26020 125-2 (25') 26020 150-1 (50') Volts /Amps: 120V/15A Cord Gauge: 12/3 AWG NEMA 5-15 P&R, Black Trip Level: 4-6 mA *Lighted receptacle	UL US LISTED
--------------------------------------------------------------------------------------------------------------------------------------------------------------------------------------------------------------------------------------------------------	----------------------------------------------------------------------------------------------------------------------------------------------------------------------------------------------------------------------------------	---------------------

TECHNICAL DATA	
GROUNDED NEUTRAL	4 Ohms
TRIP RESPONSE TIME FOR GROUND FAULT AND GROUNDED NEUTRAL TRIP	Less Than 25M
VOLTAGE SURGE WITHSTAND	3kv ringwave test and 4kv/2kA surge immunity test
RADIO FREQUENCY NOISE SUSCEPTIBILITY	Operates Within Normal Limits With 0.5 Volts Injected On Power Line 150Khz-230Mhz
FREQUENCY	50/60 Hz
ENDURANCE	3,000 Operations Minimum
OVERLOAD CURRENT	Six Times Rated Current
OPERATING TEMPERATURE RANGE	-35°C to 66°C
EFFECT OF 10 AMP TURN DC SHOCK FAULT TRIP	5% Maximum Trip Level Variation on Ground
INSULATION VOLTAGE	1500 Vrms - 1 Min.
POWER ON INDICATION	Lighted Indicator



GFCI IN-LINE CORD SETS WITH MOLDED LOCKING CONNECTORS MANUAL RESET

Excellent for industrial plant maintenance, equipment service and construction site applications. Provides compliance with National Electric Code (NEC 2008) Article 590.6 for "Temporary Installations." Rainproof rated, UL listed for outdoor use. Standard Lengths: 2', 6'. Custom cable gauges, lengths and terminations available by special order. To prevent unmonitored equipment startup, manual reset is required after GFCI trip and power outage.

APPLICATIONS INCLUDE:

- High Pressure Sprayer Washers
- Construction Site Power Tools
- Drain Snakes
- Pumps
- Construction Sites
- Industrial Appliances

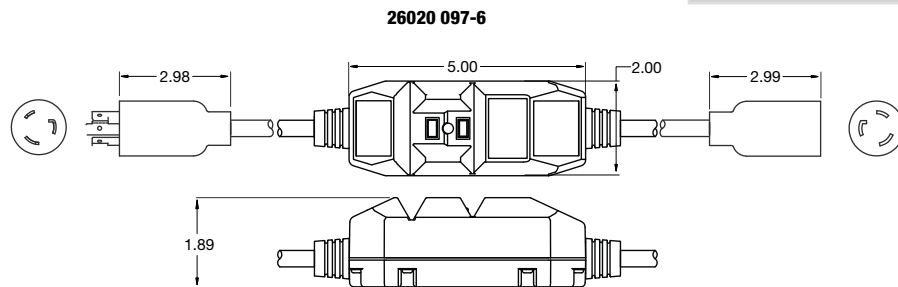
FEATURES

26020 097-6 (2') ☺
 Volts /Amps: 120V/15A
 Cord Gauge: 14/3 AWG
 NEMA L5 - 15 P & R
 Trip Level: 4-6 mA

25080 136-6 (2') ☺
 Volts /Amps: 120V/20A
 Cord Gauge: 12/3 AWG
 NEMA L5 - 20 P & R Trip
 Level: 4-6 mA



TECHNICAL DATA	
GROUNDING NEUTRAL	4 Ohms
TRIP RESPONSE TIME FOR GROUND FAULT AND GROUNDED NEUTRAL TRIP	Less Than 25M And grounded neutral trip
VOLTAGE SURGE WITHSTAND	3kv ringwave test and 4kv/2kA surge immunity test
RADIO FREQUENCY NOISE SUSCEPTIBILITY	Operates Within Normal Limits With 0.5 Volts Injected On Power Line 150Khz-230Mhz
FREQUENCY	50/60 Hz
ENDURANCE	3,000 Operations Minimum
OVERLOAD CURRENT	Six Times Rated Current
OPERATING TEMPERATURE RANGE	-35°C to 66°C
EFFECT OF 10 AMP TURN DC SHOCK FAULT TRIP	5% Maximum Trip Level Variationon Ground
INSULATION VOLTAGE	1500 Vrms - 1 Min.
POWER ON INDICATION	Lighted Indicator



GFCI IN-LINE CORD SETS WITH MANUAL RESET

Designed for rugged duty. Molded from high impact polymer with booted reset and test buttons. At home in hostile environments such as industrial, construction, maintenance and commercial work sites. Provides compliance with National Electric Code (NEC 2008) Article 590.6 for "Temporary Installations." Rainproof rated, UL listed for outdoor use. Standard lengths: 2', 6', and 25' with corresponding locking connectors. Custom cable gauges, lengths and terminations available by special order. To prevent unmonitored equipment startup, manual reset is required after GFCI trip and power outage.

APPLICATIONS INCLUDE:

- High Pressure
- Sprayer Washers
- Construction Site Power Tools
- Drain Snakes
- Pumps
- Construction Sites
- Industrial Appliances

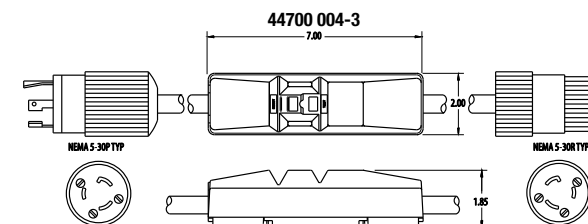
FEATURES

44700 004-3 (2') ☺
44700 005-2 (6') ☺
 Volts/Amps: 120V/30A
 Cord Gauge: 10/3 AWG
 NEMA L5-30P & R Trip
 Level: 4 - 6 mA

44720 012-3 (3') ☺
44720 013-2 (6') ☺
44720 020-1 (25') ☺
 Volts/Amps: 240V/30A
 Cord Gauge: 10/3 AWG
 NEMA L6-30P & R Trip
 Level: 4 - 6 mA



TECHNICAL DATA	
GROUNDING NEUTRAL	4 Ohms
TRIP RESPONSE TIME FOR GROUND FAULT AND GROUNDED NEUTRAL TRIP	Less Than 25M
VOLTAGE SURGE WITHSTAND	3kv ringwave test and 4kv/2kA surge immunity test
RADIO FREQUENCY NOISE SUSCEPTIBILITY	Operates Within Normal Limits With 0.5 Volts Injected On Power Line 150Khz-230Mhz
FREQUENCY	50/60 Hz
ENDURANCE	3,000 Operations Minimum
OVERLOAD CURRENT	Six Times Rated Current
OPERATING TEMPERATURE RANGE	-35°C to 66°C
EFFECT OF 10 AMP TURN DC SHOCK FAULT TRIP	5% Maximum Trip Level Variationon Ground
INSULATION VOLTAGE	1500 Vrms - 1 Min.
POWER ON INDICATION	Lighted Indicator




IN-LINE GFCI WITH TRI TAP MANUAL RESET

Heavy duty molded T-head with three receptacles. Provides protection for the extra heavy duty cord and three attached tools. 12 gauge cord is ideal for outdoor - rugged construction type environments. Standard lengths 2', 25' and 50'. To prevent unmonitored equipment startup, manual reset is required after GFCI trip and power outage. Provides compliance with National Electric Code (NEC 2008) Article 590.6 for "Temporary Installations."

APPLICATIONS INCLUDE:

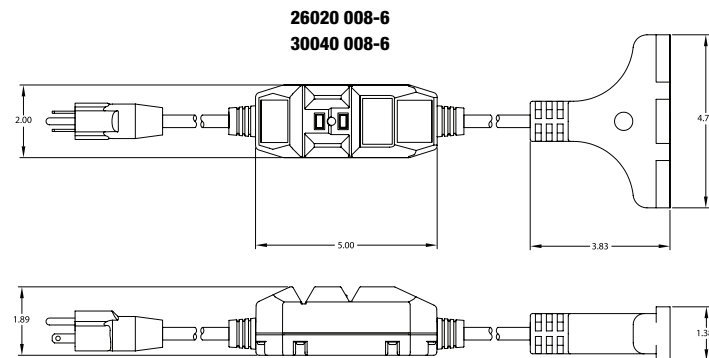
- Construction Sites
- Saws and Drills
- Portable Electric Power Tools
- Multiple Tools Use

FEATURES

*26020008-6 (2')  30040 008-6 (2.5')
 26020 147-2 (25') Volts/Amps: 120V/15A
 26020 148-1 (50') Cord Gauge: 12/3 AWG, SEOW NEMA
 Volts/Amps: 120V/15A 5-15P & (3)5-15R Trip Level: 4 - 6 mA
 Cord Gauge: 12/3 AWG Lighted receptacle
 NEMA 5-15P & (3)5-15R
 Trip Level: 4 - 6 mA
 *Lighted receptacle



TECHNICAL DATA	
GROUNDING NEUTRAL	4 Ohms typical
TRIP RESPONSE TIME FOR GROUND FAULT AND GROUNDED NEUTRAL TRIP	Less Than 25M and grounded neutral trip
VOLTAGE SURGE WITHSTAND	3kv ringwave test and 4kv/2ka surge immunity test
RADIO FREQUENCY NOISE SUSCEPTIBILITY	Operates Within Normal Limits With 0.5 Volts Injected On Power Line 150Khz-230Mhz
FREQUENCY	50/60 Hz
ENDURANCE	3,000 Operations Minimum
OVERLOAD CURRENT	Six Times Rated Current
OPERATING TEMPERATURE RANGE	-35°C to 66°C
EFFECT OF 10 AMP TURN DC SHOCK FAULT TRIP	5% Maximum Trip Level Variation on Ground
INSULATION VOLTAGE	1500 Vrms - 1 Min.
POWER ON INDICATION	Lighted Indicator



USER ATTACHABLE IN LINE GFCI MANUAL RESET FOR USE WITH SJT CORDS

The in-line user attachable is ideal for existing equipment without GFCI protection, and can be easily attached by connecting the GFCI in series with the supply cable 9 to 10 inches from the plug end to provide GFCI protection. Rainproof rated, UL listed for outdoor use. To prevent unmonitored equipment startup, manual reset is required after GFCI trip and power outage. Allows compliance with National Electric Code (NEC 2008) Article 590.6 for "Temporary Installations" and OSHA regulation. Available with yellow or black case.

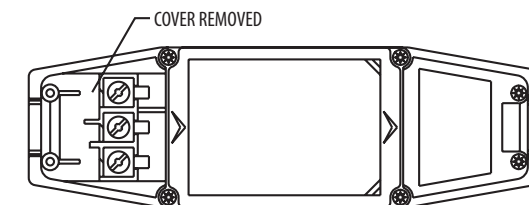
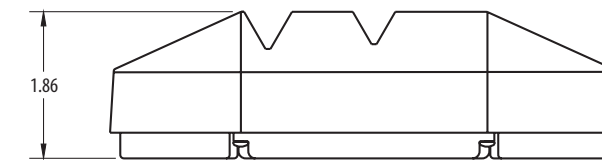
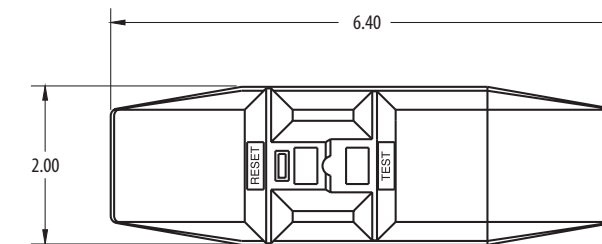
Applications include:

- Pressure Washers
- Drain Snakes
- Floor Cleaners
- Industrial Appliances
- Power Tools
- Pumps Boat Lifts
- Extension Cords

FEATURES

25000 016-6 Volts/Amps: 120V/20A and 240V/20A
 Accepts 18 - 12 AWG (SJT)
 Trip Level: 4 - 6 mA

25230 001-6 Volts/Amps: 120V/20A
 Accepts 18 - 12 AWG (SJT)
 Trip Level: 4 - 6 mA
 *Accepts up to 12 guage jr cords



TECHNICAL DATA	
GROUNDING NEUTRAL	4 Ohms Typical
TRIP RESPONSE TIME FOR GROUND FAULT AND GROUNDED NEUTRAL TRIP	Less Than 25Msand Grounded Neutral Trip
VOLTAGE SURGE WITHSTAND	Operates Within Normal Limits With 0.5 Volts
RADIO FREQUENCY NOISE SUSCEPTIBILITY	Operates Within Normal Limits With 0.5 Volts Injected On Power Line 150Khz-230Mhz
FREQUENCY	50/60 Hz
ENDURANCE	3,000 Operations Minimum
OVERLOAD CURRENT	Six Times Rated Current
OPERATING TEMPERATURE RANGE	--35°C To 66°C
EFFECT OF 10 AMP TURN DC SHOCK FAULT TRIP	5% Maximum Trip Level Variation on Ground
INSULATION VOLTAGE	1500 Vrms - 1 Min.
POWER ON INDICATION	Mechanical Indicator

GFCI IN-LINE USER ATTACHABLES MANUAL RESET FOR USE WITH ST CORDS

The in-line user attachable is ideal for existing equipment without GFCI protection, and can be easily attached by connecting the GFCI in series with the supply cable 9 to 10 inches from the plug end to provide GFCI protection. Rainproof rated, UL listed for outdoor use. These units require manual reset after all fault conditions or interruption of the power supply. Allows compliance with NEC 2008 Article 590.6, "Temporary Installations" and OSHA regulation. Available with yellow or black case.

APPLICATIONS INCLUDE:

- Pressure Washers
- Drain Snakes
- Floor Cleaners
- Industrial Appliances
- Power Tools
- Pumps
- Boat Lifts
- Extension Cords

FEATURES

30040 006-6

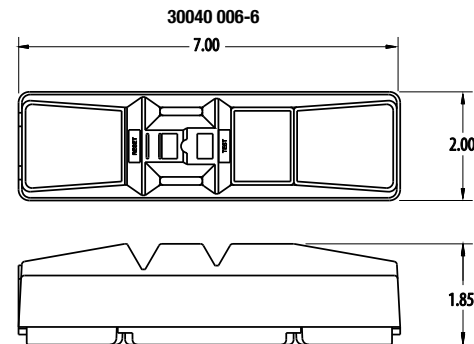
Volts/Amps: 120V/20A
Accepts 16 - 12 AWG (ST)
Trip Level: 4 - 6 mA

30050 003-3

Volts/Amps: 240V/20A
Accepts 16 - 12 AWG (ST)
Trip Level: 4 - 6 mA
* Accepts full size
12 gauge cords



TECHNICAL DATA	
GROUNDING	4 Ohms Typical
TRIP RESPONSE TIME FOR GROUND FAULT AND GROUNDED NEUTRAL TRIP	Less Than 25ms and Grounded Neutral Trip
VOLTAGE SURGE WITHSTAND	3kv ringwave test and 4kv/2kA surge immunity test
RADIO FREQUENCY NOISE SUSCEPTIBILITY	Operates Within Normal Limits With 0.5 Volts Injected On Power Line 150Khz-230Mhz
FREQUENCY	50/60 Hz
ENDURANCE	3,000 Operations Minimum
OVERLOAD CURRENT	Six Times Rated Current
OPERATING TEMPERATURE RANGE	-35°C To 66°C
EFFECT OF 10 AMP TURN DC SHOCK FAULT TRIP	5% Maximum Trip Level Variation on Ground
INSULATION VOLTAGE	1500 Vrms - 1 Min.
POWER ON INDICATION	Mechanical Indicator



ELCI IN-LINE USER ATTACHABLES MANUAL RESET

Dual user attachable configurations for OEM connection of cable. Units are dual voltage rated. Operation and trip times equal or exceed that of the GFCI's. Provides equipment protection for office equipment. To prevent unmonitored equipment startup, manual reset is required after ELCI trip. Does not require reset following disruption of primary power.

APPLICATIONS INCLUDE:

- Copiers
- Film Processors
- Printers
- Image Setters
- Scanners
- Appliances

FEATURES

26140 010-6

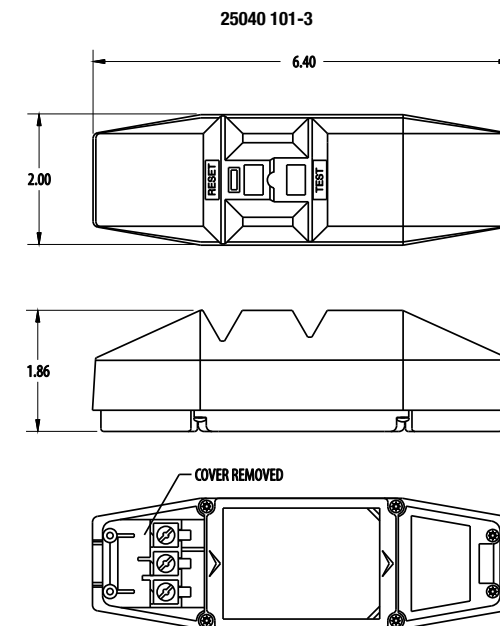
Volts/Amps: 120V/20A & 240V/16A
Accepts 18 - 12 AWG (SJT)
Trip Level: 30 mA

25040 101-3

Volts/Amps: 120V/20A & 240V/16A
Accepts 18 - 12 AWG (SJT)
Trip Level: 10 mA



TECHNICAL DATA	
TRIP RESPONSE TIME FOR GROUND FAULT AND GROUNDED NEUTRAL TRIP	Less Than 25M
VOLTAGE SURGE WITHSTAND	3kv ringwave test and 4kv/2kA surge immunity test
RADIO FREQUENCY NOISE SUSCEPTIBILITY	Operates Within Normal Limits With 0.5 Volts Injected On Power Line 150Khz-230Mhz
FREQUENCY	50/60 Hz
ENDURANCE	3,000 Operations Minimum
OVERLOAD CURRENT	Six Times Rated Current
OPERATING TEMPERATURE RANGE	10°C to 60°C
EFFECT OF 10 AMP TURN DC SHOCK FAULT TRIP	5% Maximum Trip Level Variation on Ground
INSULATION VOLTAGE	1500 Vrms - 1 Min.
POWER ON INDICATION	Lighted Indicator



PRCD IN-LINE USER ATTACHABLES MANUAL RESET

CE Certified Portable Residual Current Device (PRCD); EU Directives 89/336/EEC – Electromagnetic Compatibility Directive, 72/23/EEC – Low Voltage Equipment Directive & IEC 61540 – International standard for PRCD's. Available 120V – 230V, 30mA trip levels. To prevent unmonitored equipment startup, manual reset is required after PRCD trip and power outage.

APPLICATIONS INCLUDE:

- Pressure Washers
- Drain Snakes
- Floor Cleaners
- Industrial Appliances
- Power Tools
- Pumps Boat Lifts
- Extension Cords

FEATURES

57020 501-6

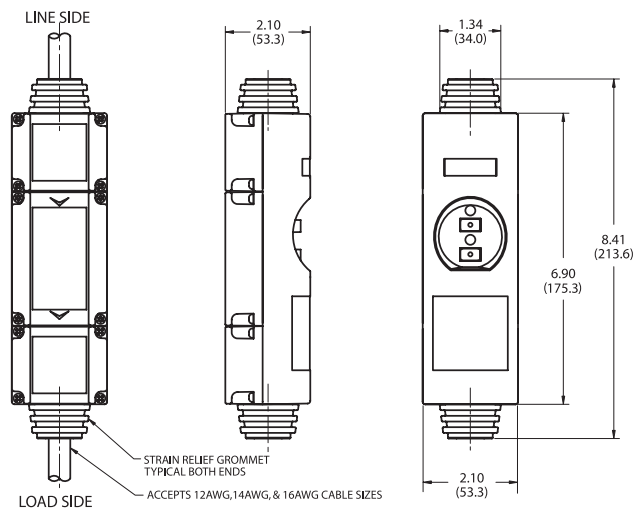
Volts/Amps: 230V/16A
Accepts 1.5 - 2.5mm² conductor/
7.8-16.2mm dia. Cord Sets
Trip Level: 30 mA max.
CE Compliant

57010501-6

Volts/Amps: 230V/16A
Accepts 1.5 - 2.5mm² conductor/
7.8-16.2mm dia. Cord Sets
Trip Level: 10 mA max.
CE Compliant



TECHNICAL DATA	
OPERATING VOLTAGE RANGE	120/127 or 230V nominal @ 50/60 Hz
OPERATING LOAD CURRENT	20 amps max.
RESIDUAL CURRENT TRIP WINDOW	6, 10, 30mA
RESPONSE TIME	40ms max at 5(I _{Δn})
CONTACTS NORMALLY OPEN	(Manual Reset) Contacts open with loss of power
ENVIRONMENTAL RATING	IP-54



GFCI USER ATTACHABLE PLUGS MANUAL RESET

The user attachable plug is ideal for existing equipment without GFCI protection, the male connector can be removed and the GFCI plug easily attached to equipment's cord. Rainproof rated, UL listed for outdoor use. To prevent unmonitored equipment startup, manual reset is required after GFCI trip and power outage. Allows compliance with National Electric Code (NEC 2008) Article 590.6 for "Temporary Installations" and OSHA regulation.

Available with yellow or black case.

APPLICATIONS INCLUDE:

- Pressure Washers
- Drain Snakes Floor Cleaners
- Industrial Appliances Power Tools
- Pumps Boat Lifts
- Extension Cords

FEATURES

14880 002-6 GFCI

CCI 02831 Volts/Amps: 120V/15A
Accepts 18 - 12 AWG(SJT)
NEMA 5 - 15 P, Yellow
Trip Level: 4 - 6 mA



54880 004-6 GFCI

Volts/Amps: 120V/20A
Accepts 18 - 12 AWG (SJT)
NEMA 5 - 20 P, Black Trip
Level: 4 - 6 mA

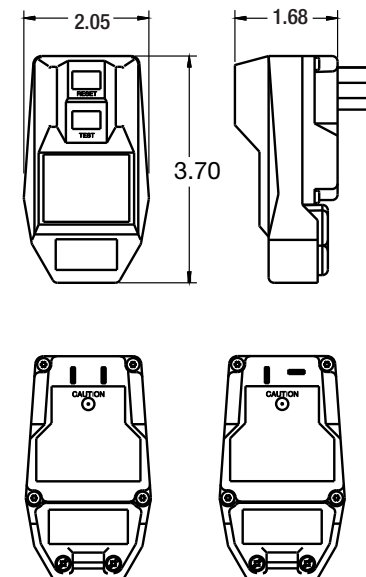


14880 232-6 GFCI

Volts/Amps: 120V/15A
Accepts 18 - 12 AWG (SJT)
NEMA 5 - 15 P, Black Trip
Level: 4 - 6 mA



14880 002-6



TECHNICAL DATA	
GROUNDING	4 Ohms Typical
TRIP RESPONSE TIME FOR GROUND FAULT AND GROUNDING TRIP	Less Than 25ms and Grounding Neutral Trip
VOLTAGE SURGE WITHSTAND	3Kv Ringwave Test And 4Kv/2Ka Surge Immunity Test
RADIO FREQUENCY NOISE SUSCEPTIBILITY	Operates Within Normal Limits With 0.5 Volts Injected On Power Line 150Khz-230Mhz
FREQUENCY	50 / 60 Hz
ENDURANCE	3,000 Operations Minimum
OVERLOAD CURRENT	Six Times Rated Current
OPERATING TEMPERATURE RANGE	--35°C To 66°C
EFFECT OF 10 AMP TURN DC SHOCK FAULT TRIP	5% Maximum Trip Level Variation on Ground
INSULATION VOLTAGE	1500 Vrms - 1 Min.
POWER ON INDICATION	Mechanical Indicator

* Applies to 14880-002 and 54880-004

GFCI RIGHT ANGLE PLUG PROTECTED QUAD BOXES MANUAL RESET

Enclosed in heavy impact resistant polymer case. Spring loaded covers protect each pair of receptacles. "Circuit Breaker" built into box for convenient reset. The GFCI is an integral part of the male connector. Provides protection to the entire cord as well as tools attached. Built to withstand outdoor/rugged-type construction. Standard lengths: 2', 6', 25', 50', 99'. To prevent unmonitored equipment startup, manual reset is required after GFCI trip and power outage. Complies with National Electric Code (NEC 2008) Article 590.6 for "Temporary Installations."

APPLICATIONS INCLUDE:

- Drills
- Lathes
- Saws
- Lighting
- Multiple Tools Use
- Construction Sites

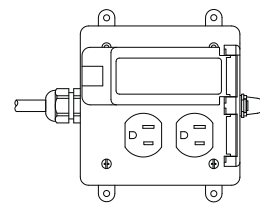
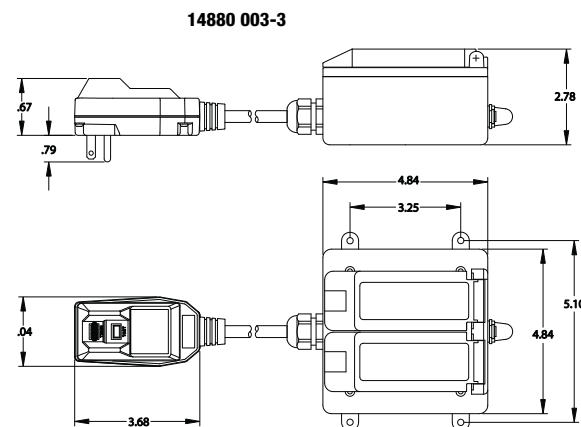
FEATURES

14880 402-3 (2')
 14880 003-3 (6')
 *14880 425-2 (25')
 *14880 450-1 (50')
 *14880 121-1 (100')
 Volts/Amps: 120V/15A
 Cord Gauge: 12/3 AWG
 NEMA 5-15P & (4)5-15R
 Trip Level: 4 - 6 mA



*Made to order

TECHNICAL DATA	
GROUNDING NEUTRAL	4 Ohms
TRIP RESPONSE TIME FOR GROUND FAULT AND GROUNDED NEUTRAL TRIP	Less Than 25M And grounded neutral trip
VOLTAGE SURGE WITHSTAND	3kv ringwave test and 4kv/2kA surge immunity test
RADIO FREQUENCY NOISE SUSCEPTIBILITY	Operates Within Normal Limits With 0.5 Volts Injected On Power Line 150Khz-230Mhz
FREQUENCY	50/60 Hz
ENDURANCE	3,000 Operations Minimum
OVERLOAD CURRENT	Six Times Rated Current
OPERATING TEMPERATURE RANGE	-35°C to 66°C
EFFECT OF 10 AMP TURN DC SHOCK FAULT TRIP	5% Maximum Trip Level Variation on Ground
INSULATION VOLTAGE	1500 Vrms - 1 Min.
POWER ON INDICATION	Mechanical Indicator



IN-LINE GFCI PROTECTED QUAD BOXES WITH MOUNTING TABS

Box enclosed in heavy impact resistant polymer case. Spring loaded covers protect each pair of receptacles. "Fast Breaker" built in for convenient reset. GFCI with lighted indicator located at power end provides protection to the cord and tools attached. To prevent unmonitored equipment startup, manual reset is required after GFCI trip and power outage. Complies with National Electric Code (NEC 2008) Article 590.6 for "Temporary Installations."

APPLICATIONS INCLUDE:

- Drills
- Lathes
- Saws
- Lighting
- Multiple Tools Use
- Construction Sites

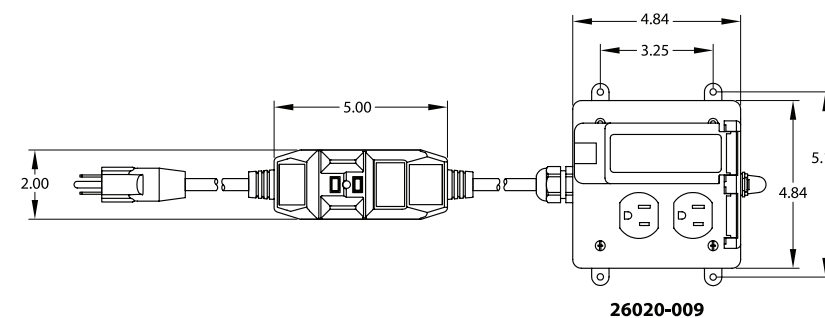
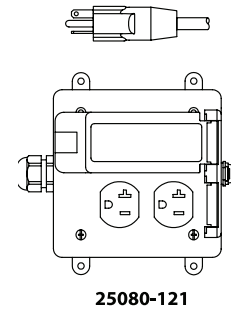
FEATURES

26020 009-3 (6')
 Volts/Amps: 120V/15A
 Cord Gauge: 12/3 AWG
 NEMA 5-15P & (4)5-15R
 Trip Level: 4 - 6 mA

25080 121-6 (2')
 Volts/Amps: 120V/20A
 Cord Gauge: 12/3 AWG
 NEMA 5-20P & (4)5-20R
 Trip Level: 4 - 6 mA



TECHNICAL DATA	
GROUNDING NEUTRAL	4 Ohms
TRIP RESPONSE TIME FOR GROUND FAULT AND GROUNDED NEUTRAL TRIP	Less Than 25M And grounded neutral trip
VOLTAGE SURGE WITHSTAND	3kv ringwave test and 4kv/2kA surge immunity test
RADIO FREQUENCY NOISE SUSCEPTIBILITY	Operates Within Normal Limits With 0.5 Volts Injected On Power Line 150Khz-230Mhz
FREQUENCY	50/60 Hz
ENDURANCE	3,000 Operations Minimum
OVERLOAD CURRENT	Six Times Rated Current
OPERATING TEMPERATURE RANGE	-35°C to 66°C
EFFECT OF 10 AMP TURN DC SHOCK FAULT TRIP	5% Maximum Trip Level Variation on Ground
INSULATION VOLTAGE	1500 Vrms - 1 Min.
POWER ON INDICATION	Mechanical Indicator

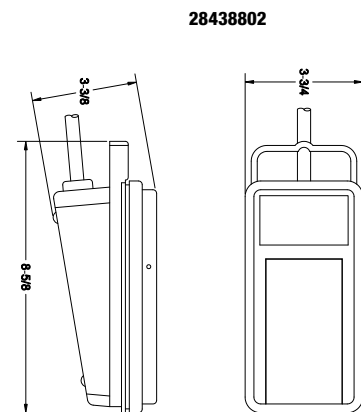


CORD-CONNECTED PORTABLE GFCI WITH DUPLEX/QUAD GFCI RECEPTACLES

High impact resin with a slant-roof design to prevent water entry. Receptacles can accommodate large plugs. All models are Manual Reset GFCIs. OSHA compliant.

APPLICATIONS INCLUDE:

- Construction Sites
- Saws and Drills
- Portable Electric Power Tools
- For up to Two Tools



FEATURES

28438802 (6')
Volts/Amps: 120V/15A
Cord Gauge: 12/3 SJTW
NEMA 5-15P & (2) 5-15R



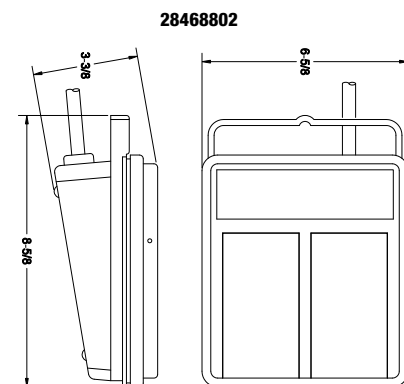
TECHNICAL DATA	
MAXIMUM OPERATING VOLTAGE	120 Vac
MAXIMUM OPERATING CURRENT	15 Amp
MAXIMUM OPERATING WATTAGE	1800 W
TEMPERATURE RATING	-22°C to +140°C
OPERATING ENVIRONMENT	Outdoor, if protected from water entry

CORD-CONNECTED PORTABLE GFCI WITH QUAD GFCI RECEPTACLES

High impact resin with a slant-roof design to prevent water entry. Receptacles can accommodate large plugs. All models are Manual Reset GFCIs. OSHA compliant.

APPLICATIONS INCLUDE:

- Construction Sites
- Saws and Drills
- Portable Electric Power Tools
- For up to Two Tools



FEATURES

28458802 (6')
Volts/Amps: 120V/15A
Cord Gauge: 12/3 SJEOW
NEMA 5-15P & (4) 5-15R

28468802 (6')
Volts/Amps: 120V/15A
Cord Gauge: 12/3 SJEOW
NEMA L5-20P & (4) 5-20R



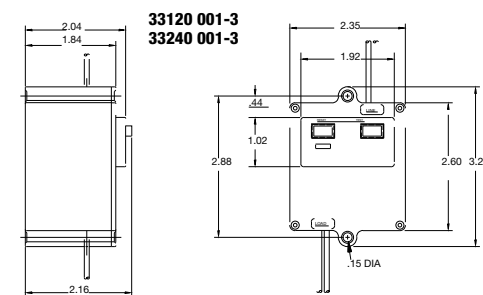
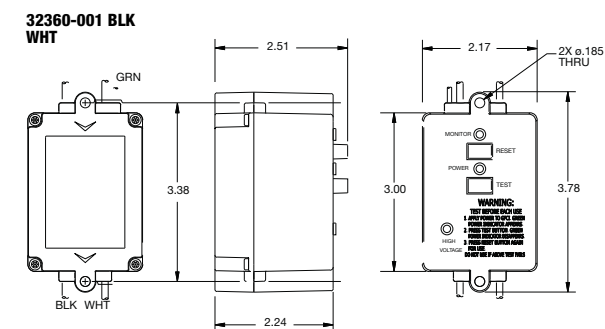
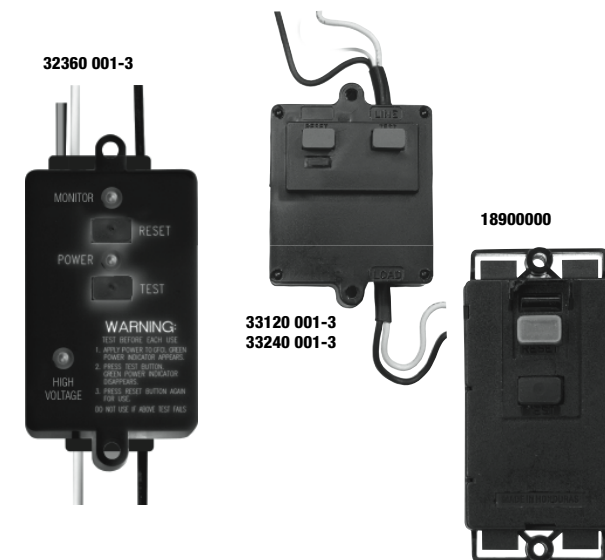
TECHNICAL DATA	
MAXIMUM OPERATING VOLTAGE	120 Vac
MAXIMUM OPERATING CURRENT	15 Amp
MAXIMUM OPERATING WATTAGE	1800 W
TEMPERATURE RATING	-22°C to +140°C
OPERATING ENVIRONMENT	Outdoor, if protected from water entry

GFCI PANEL MOUNTS

Provides GFCI protection for personnel and equipment when leakage levels have a potentially lethal ground current in excess of 6 milliamperes. Ideal for equipment where mounting applications require panel or bulkhead mount. Automatic reset on power restoration following disruption of primary power. 41240-001 is manual reset.

APPLICATIONS INCLUDE:

- Control Panels
- Test Beds
- Pumping Systems
- Appliances



FEATURES

32360 001-3
Volts/Amps: 120V/20A L & N - 12 AWG Trip Level: 4 - 6 mA

18900000
Volts/Amps: 120V/20A Trip Level: 4 - 6 mA
Manual Reset
replacement for X-Treme Box temporary Power Center

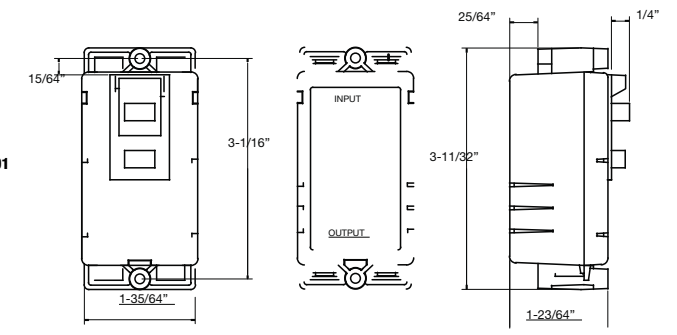


33120 001-3
Volts/Amps: 120V/20A L & N - 12 AWG Trip Level: 4 - 6 mA

33240 001-3
Volts/Amps: 240V/20A L & N - 12 AWG Trip Level: 4 - 6 mA



TECHNICAL DATA	
GROUNDING NEUTRAL (33120 ONLY)	4 Ohms
TRIP RESPONSE TIME FOR GROUND FAULT AND GROUNDING NEUTRAL TRIP	Less Than 25M And grounded neutral trip
VOLTAGE SURGE WITHSTAND	3kv ringwave test and 4kv/2kA surge immunity test
RADIO FREQUENCY NOISE SUSCEPTIBILITY	Operates Within Normal Limits With 0.5 Volts Injected On Power Line 150Khz-230Mhz
FREQUENCY	50/60 Hz
ENDURANCE	3,000 Operations Minimum
OVERLOAD CURRENT	Six Times Rated Current
OPERATING TEMPERATURE RANGE	-35°C to 66°C
EFFECT OF 10 AMP TURN DC SHOCK FAULT TRIP	5% Maximum Trip Level Variation on Ground
INSULATION VOLTAGE	1500 Vrms - 1 Min.
POWER ON INDICATION	Mechanical Indicator



SAFETY PRODUCTS

ELCI PANEL MOUNT MANUAL RESET

Provides protection for equipment when leakage levels exceed 10mA. Ideal for equipment where mounting applications require panel or bulk-head mounting. Manual reset is required after ELCI trip. Remains reset on power restoration following disruption of primary power.

APPLICATIONS INCLUDE:

- Testing Equipment
- Copiers
- Medical Equipment
- Electric Control Panels
- Appliances

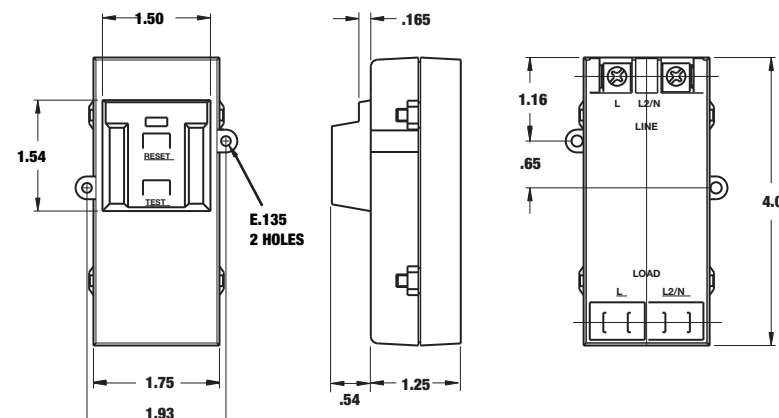
FEATURES

24220 100-3
Volts/Amps: 120V/20A or 240V/16A
Trip Level: 10 mA Typical
Accepts 250V female quick disconnect terminals



TECHNICAL DATA	
GROUNDING NEUTRAL (33120 ONLY)	85 - 264 VAC
TRIP RESPONSE TIME FOR GROUND FAULT AND GROUNDING NEUTRAL TRIP	Less Than 25M
VOLTAGE SURGE WITHSTAND	3kv ringwave test and 4kv/2kA surge immunity test
RADIO FREQUENCY NOISE SUSCEPTIBILITY	Operates Within Normal Limits With 0.5 Volts Injected On Power Line 150Khz-230Mhz
FREQUENCY	50/60 Hz
ENDURANCE	5,000 Operations Minimum
OVERLOAD CURRENT	Six Times Rated Current
OPERATING TEMPERATURE RANGE	10°C to 55°C
EFFECT OF 10 AMP TURN DC SHOCK FAULT TRIP	5% Maximum Trip Level Variation on Ground
INSULATION VOLTAGE	1500 Vrms - 1 Min.
POWER ON INDICATION	Mechanical Indicator

24220 100-3



Southwire™

TOOLS & EQUIPMENT

2020
**HIGH POWER EQUIPMENT
COMBINATION DEVICES
(GFCI/ELCI)**

BUILT FOR DURABILITY.
BUILT FOR RELIABILITY.
BUILT FOR WORK.™

SHOCKSHIELD™ HIGH POWER GFCI

Configured for both in-line and bulk head mount. Engineered to trip within 25 milliseconds. Has 2' of cable on both line and load side. Will automatically reset after ELCI trip and/or power outage. Auto Rest.

PROTECTS:

- Motors
- Manufacturing Equipment
- Pumping Systems
- Welders
- Pressure Washers
- Hoists

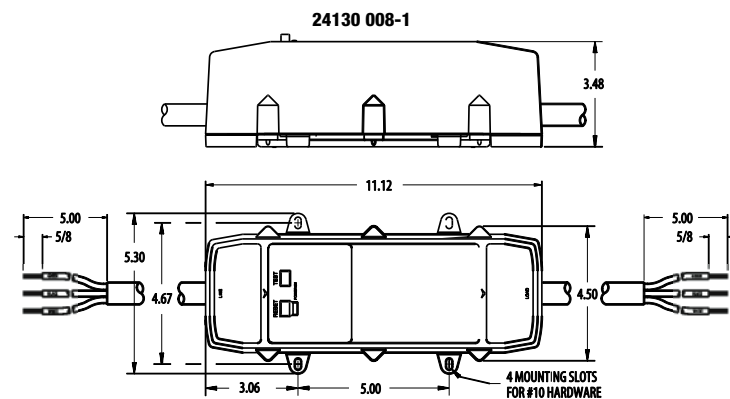
FEATURES

23250 003-1 GFCI
 Volts/Amps: 240V/40A
 Cord Gauge: 8/3 AWG
 Trip Level: 6 mA Single Phase

25500 001-1 GFCI
 Volts/Amps: 208-240V/30A
 Cord Gauge: 10/4 AWG
 Trip Level: 4-6 mA
 Three Phase



TECHNICAL DATA	
RESPONSE TIME FOR GROUND FAULT	25mS - typical
FREQUENCY	50 / 60 Hz
ENDURANCE	3,000 operations minimum
OVERLOAD CURRENT	six times rated current
OPERATING TEMPERATURE RANGE	-20°C to +40°C
INSULATION VOLTAGE	1500 VRMS - 1 Min.
DROP OUT VOLTAGE	60% rated voltage - typical
RESET TYPE	auto
CONNECTION TYPE	2ft flying leads
ENCLOSURE	NEMA 4 polymer
POWER ON INDICATION	lighted indicator



HEAVY DUTY - HIGH POWER ELCI 30A

Configured for both in-line and bulk head mount. Engineered to trip within 25 milliseconds. Has 2' of cable on both line and load side. Will remain reset on power restoration following disruption of primary power.

PROTECTS:

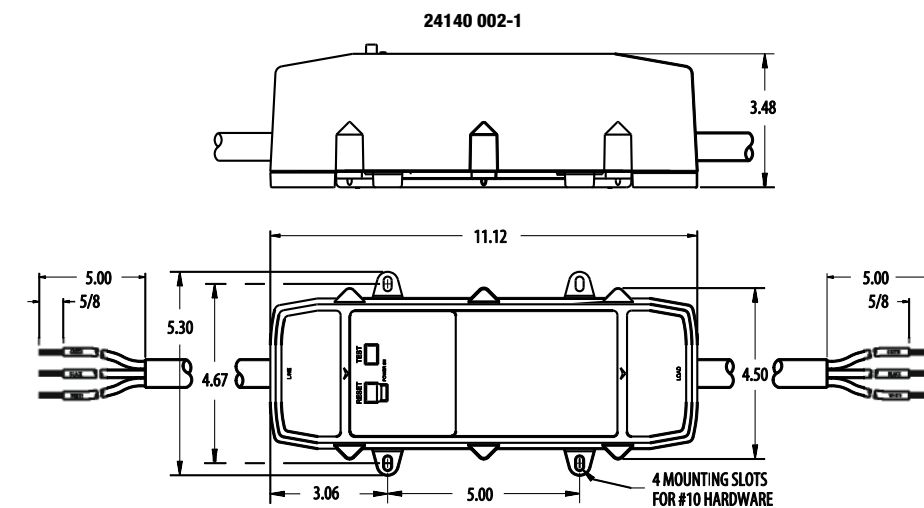
- Motors
- Manufacturing Equipment
- Pumping Systems
- Welders
- Pressure Washers
- Hoists

FEATURES

24140 002-1 ELCI
 Volts/Amps: 240V/30A
 Cord Gauge: 10/4 AWG
 Trip Level: 10 mA
 Single Phase

24500 006-1 ELCI
 Volts/Amps: 208-240V/30A
 Cord Gauge: 10/4 AWG
 Trip Level: 10 mA
 Three Phase

TECHNICAL DATA	
RESPONSE TIME FOR GROUND FAULT	25mS - typical
FREQUENCY	50 / 60 Hz
ENDURANCE	3,000 operations minimum
OVERLOAD CURRENT	six times rated current
OPERATING TEMPERATURE RANGE	-20°C to +40°C
INSULATION VOLTAGE	1500 VRMS - 1 Min.
DROP OUT VOLTAGE	60% rated voltage - typical
RESET TYPE	auto
CONNECTION TYPE	2ft flying leads
ENCLOSURE	NEMA 4 polymer
POWER ON INDICATION	lighted indicator



HEAVY DUTY - HIGH POWER ELCI 60A

Configured for both in-line and bulk head mount. Engineered to trip within 25 milliseconds. Has 2' of cable on both line and load side. To prevent equipment startup after ELCI trips, manual reset required. Will reset on power restoration following disruption of primary power.

PROTECTS:

- Motors
- Manufacturing Equipment
- Pumping Systems
- Welders
- Pressure Washers
- Hoists

FEATURES

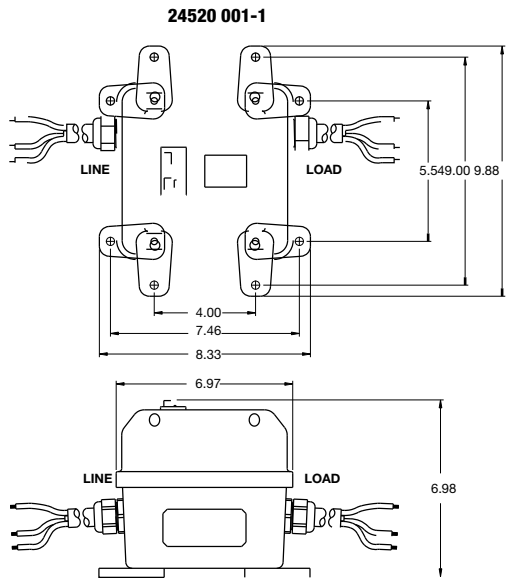
24520 001-1
Volts/Amps: 120V/60A
Cord Gauge: 4/3 AWG
Trip Level: 10 mA
Single Phase

25560 001-1
Volts/Amps: 380V/60A
Cord Gauge: 4/4 AWG Trip
Level: 30 mA
Three Phase

* 24530 001-1
Volts/Amps: 240V/60A
Cord Gauge: 4/4 AWG Trip
Level: 10 mA
Three Phase

* Made to order

TECHNICAL DATA	
RESPONSE TIME FOR GROUND FAULT	25mS - typical
FREQUENCY	50 / 60 Hz
ENDURANCE	3,000 operations minimum
OVERLOAD CURRENT	six times rated current
OPERATING TEMPERATURE RANGE	-20°C to +40°C
INSULATION VOLTAGE	1500 VRMS - 1 Min.
DROP OUT VOLTAGE	60% rated voltage - typical
RESET TYPE	auto
CONNECTION TYPE	flying leads
ENCLOSURE	NEMA 4 polymer
POWER ON INDICATION	lighted indicator



HD-PRO HIGH POWER GFCI/ELCI TRIP LEVEL SELECTOR 6.10.30

Southwire has engineered a new option for the HD-PRO™ series called 6.10.30™. Configured for both in-line and bulk head mount. This unique new design allows the user to select and lock in the most sensitive trip level at which a specific type of equipment can be operated without nuisance tripping. Adjustable settings include trip levels for 6mA, 10mA and 30mA. Trip level flexibility to meet your needs in one single device - HD-PRO™ with 6.10.30™. 6.10.30™ key enables trip level selection and locking at a trip level with key removal.

PROTECTS:

- Motors
- Portable Conveyors
- Pumping Systems
- Welders
- Pressure Washers
- Freight Lifts

FEATURES

24736 001-1
Volts/Amps: 480V/100A
Cord Gauge: 2/4 AWG
Trip Level: 6, 10 & 30 mA
Three Phase

24946 003-1
Volts/Amps: 600V/60A
Cord Gauge: 4/4 AWG
Trip Level: 6, 10 & 30 mA
Three Phase

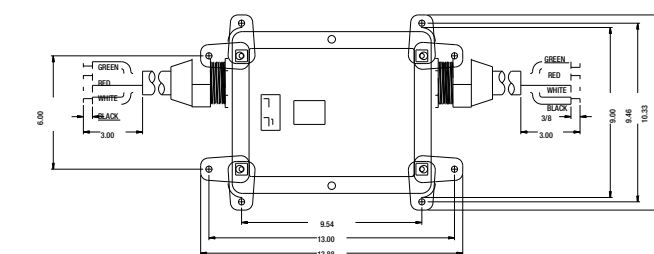
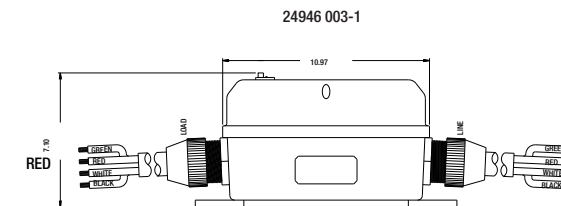
24786 001-1
Volts/Amps: 208-240V/80A
Cord Gauge: 4/4 AWG
Trip Level: 6, 10 & 30 mA
Three Phase

*24992 001-1
Volts/Amps: 600V/80A
Cord Gauge: 4/4 AWG
Trip Level: 6, 10 & 30 mA
Three Phase

24796 001-1
Volts/Amps: 480V/80A
Cord Gauge: 4/4 AWG
Trip Level: 6, 10 & 30 mA
Three Phase

* Made to order

TECHNICAL DATA	
FREQUENCY	50 / 60 Hz
ENDURANCE	3,000 operations minimum
OVERLOAD CURRENT	six times rated current
OPERATING TEMPERATURE RANGE	-20°C to +40°C
INSULATION VOLTAGE	1500 VRMS - 1 Min.
DROP OUT VOLTAGE	60% rated voltage - typical
RESET TYPE	auto
CONNECTION TYPE	flying leads
ENCLOSURE	NEMA 4 polymer
POWER ON INDICATION	lighted indicator



HD-PRO HIGH POWER GFCI/ELCI TRIP LEVEL SELECTOR 6.10.30

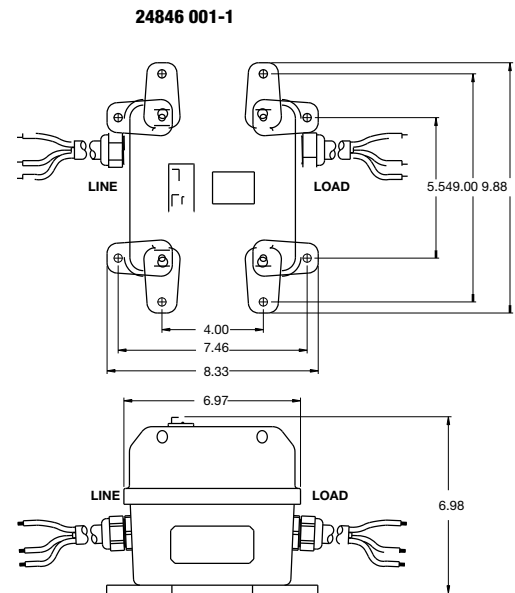
Configured for both in-line and bulk head mount. Engineered to trip within 25 milliseconds. Has 2' of cable on both line and load side. To prevent equipment startup after GFCI/ELCI trips, manual reset required. Will reset on power restoration following disruption of primary power. 6.10.30™ key enables trip level selection and locking at a trip level with key removal.

PROTECTS:

- Motors
- Manufacturing Equipment
- Pumping Systems
- Welders
- Pressure Washers
- Hoists

FEATURES

24396 001-1 Volts/Amps: 277V/30A Cord Gauge: 10/3 AWG Trip Level: 6, 10 & 30 mA Single Phase	24672 001-1 Volts/Amps: 480V/60A Cord Gauge: 4/4 AWG Trip Level: 6, 10 & 30 mA Three Phase
24542 001-1 Volts/Amps: 208-240V/60A Cord Gauge: 4/4 AWG Trip Level: 6, 10 & 30 mA Three Phase	24846 001-1 Volts/Amps: 208-240V/30A Cord Gauge: 8/5 AWG Trip Level: 6, 10 & 30 mA Three Phase
24646 001-1 Volts/Amps: 480V/30A Cord Gauge: 10/4 AWG Trip Level: 6, 10 & 30 mA Three Phase	



TECHNICAL DATA	
RESPONSE TIME FOR GROUND FAULT	25mS - typical
FREQUENCY	50 / 60 Hz
ENDURANCE	3,000 operations minimum
OVERLOAD CURRENT	six times rated current
OPERATING TEMPERATURE RANGE	-20°C to +40°C
INSULATION VOLTAGE	1500 VRMS - 1 Min.
DROP OUT VOLTAGE	60% rated voltage - typical
RESET TYPE	auto
CONNECTION TYPE	2 ft flying leads
ENCLOSURE	NEMA 4 polymer
POWER ON INDICATION	lighted indicator

HD-PRO EGFPD AND GFCI/ELCI WITH ADJUSTABLE TRIP LEVELS

High Power Equipment Ground Fault Protective Devices (EGFPD) and GFCI/ELCI Adjustables Configured for both in-line and bulk head mount. Engineered to trip within 25 milliseconds. To prevent equipment startup after EGFPD or GFCI/ELCI trips, manual reset required. Will reset on power restoration following disruption of primary power. Key enables trip level selection and locks at a trip level with key removal.

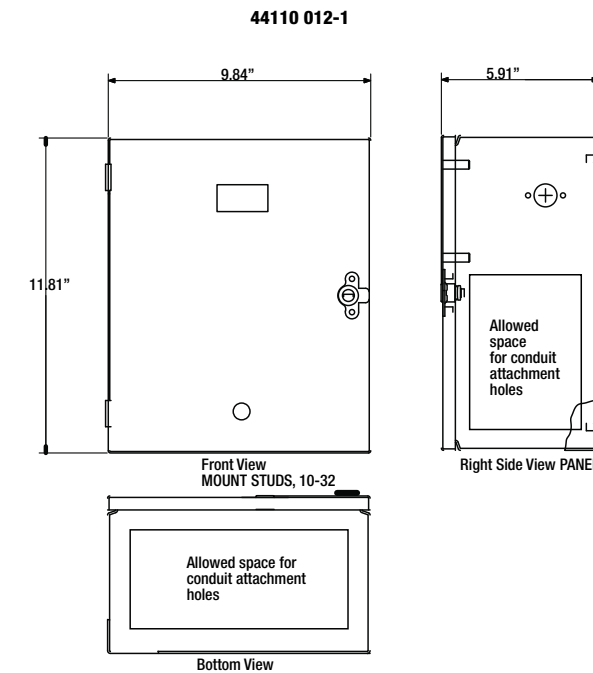
PROTECTS:

- Motors
- Manufacturing Equipment
- Pumping Systems
- Welders
- Pressure Washers
- Hoists

FEATURES

†44110 012-1 EGFPD* Volts/Amps: 208-240V/30A Trip Level: 10, 30 & 50 mA Three Phase	44610 001-1 GFCI/ELCI Volts/Amps: 208-240V/30A Trip Level: 6, 10 & 30 mA Three Phase
†44140 012-1 EGFPD* Volts/Amps: 208-240V/60A Trip Level: 10, 30 & 50 mA Three Phase	†44640 001-1 GFCI/ELCI Volts/Amps: 208-240V/60A Trip Level: 6, 10 & 30 mA Three Phase
44120 012-1 EGFPD* Volts/Amps: 480V/30A Trip Level: 10, 30 & 50 mA Three Phase	44620 001-1 GFCI/ELCI Volts/Amps: 480V/30A Trip Level: 6, 10 & 30 mA Three Phase
44130 012-1 EGFPD* Volts/Amps: 480V/60A Trip Level: 10, 30 & 50 mA Three Phase	44630 001-1 GFCI/ELCI Volts/Amps: 480V/60A Trip Level: 6, 10 & 30 mA Three Phase

*Made to order



TECHNICAL DATA	
FREQUENCY	50 / 60 Hz
ENDURANCE	3,000 operations minimum
OVERLOAD CURRENT	six times rated current
OPERATING TEMPERATURE RANGE	-20°C to +40°C
INSULATION VOLTAGE	1500 VRMS - 1 Min.
DROP OUT VOLTAGE	60% rated voltage - typical
RESET TYPE	auto
CONNECTION TYPE	2ft flying leads
ENCLOSURE	NEMA 4 16 gauge steel
POWER ON INDICATION	lighted indicator

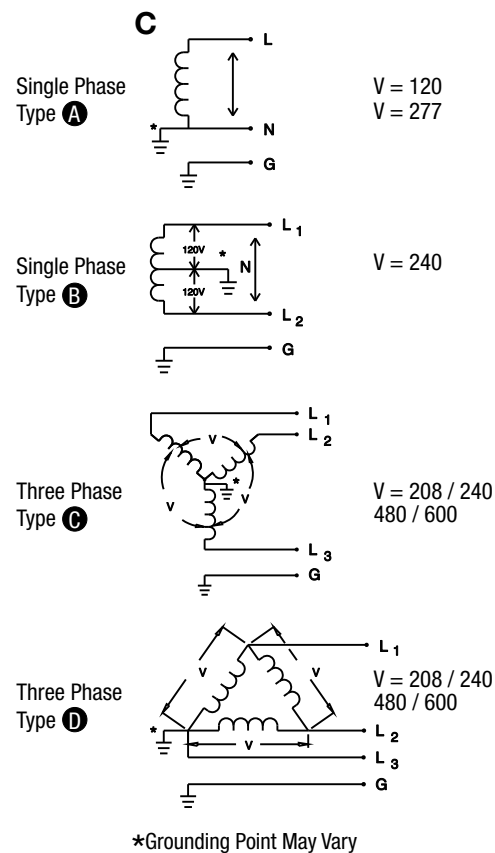
WIRING INSTRUCTIONS FOR HIGH POWER GFCI/ELCIS

ALL HIGH POWER GFCI/ELCIS MUST BE SUITED FOR USE WITH SOLIDLY GROUNDED SYSTEMS. THE POWER CORDS MUST BE CONNECTED ACCORDING TO THE WIRING INSTRUCTIONS SHOWN BELOW.

WIRING INSTRUCTIONS

120V, 277V UNIT	240V 1 ϕ UNIT	208/240V 3 ϕ UNIT	208/480/600V 3 ϕ UNIT
1. Black = Line	1. Black = Line	1. Black = Line	1. Black = Line
2. White = Neutral	2. Red(Pink) = Line	2. Red (Pink) = Line	2. Red(Pink) = Line
3. Green = Ground	3. White = Neutral	3. Orange (Blue) = Line	3. White = Line
	4. Green = Ground	4. White = Neutral	4. Green = Ground
		5. Green = Ground	

CIRCUITRY TYPE



Southwire™

TOOLS & EQUIPMENT

2020 TEMPORARY POWER PRODUCTS




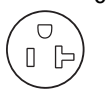



BUILT FOR DURABILITY.
 BUILT FOR RELIABILITY.
 BUILT FOR WORK.™

1960/1970 SERIES X-TREME BOX™ DISTRIBUTION UNIT WITH GFCI PROTECTION

This rugged equipment is designed to safely distribute temporary power in areas such as construction sites and other jobsite environments. UL Listed for outdoor use and designed to stand up to the toughest workplace conditions. The 125V/20A receptacles on the unit are protected by individual GFCI's with "Power On" indicators. They also provide open neutral and reverse phasing protection. Each unit has been carefully assembled to provide the ultimate in electrical safety as well as meeting current OSHA requirements.

The units use a 50A California Standard power inlet that distributes power to seven receptacles and a 50A California Standard pass-thru power outlet for daisy-chaining additional units. In addition to the six 125V/20A receptacles, each unit has one additional non-GFCI NEMA L6-30 turn-lock receptacle rated 250V/30A. Over current protection is provided by a full complement of circuit breakers located under an easy-access side panel.

SPECIFICATIONS

PART#	BASE	50A INLET AND FEED THRU	20A OUTLETS(6)	NAME FACE	30A OUTLET	NAME FACE	WT (LBS)	
19703R02	Sled Base	50A 125/250V Locking California-Style CS63 Inlet and Outlet 	NEMA 5-20 T Slot single receptacles with dedicated GFCI protection		NEMA L6-30		34	
19723R02	Roll Cage							
19763R02	Sled Base		GFCI protection per pair of receptacles		6	NEMA L6-30		
19603R02	Sled Base		NEMA L5-20 single receptacles with dedicated GFCI Protection					
19623R02	Roll Cage		GFCI protection per pair of receptacles					
19663R02	Sled Base							

Yellow is a standard color, other colors made to order with minimum quantities.



MINI X-TREME BOX

TEMPORARY POWER DISTRIBUTION UNIT WITH GFCI PROTECTION

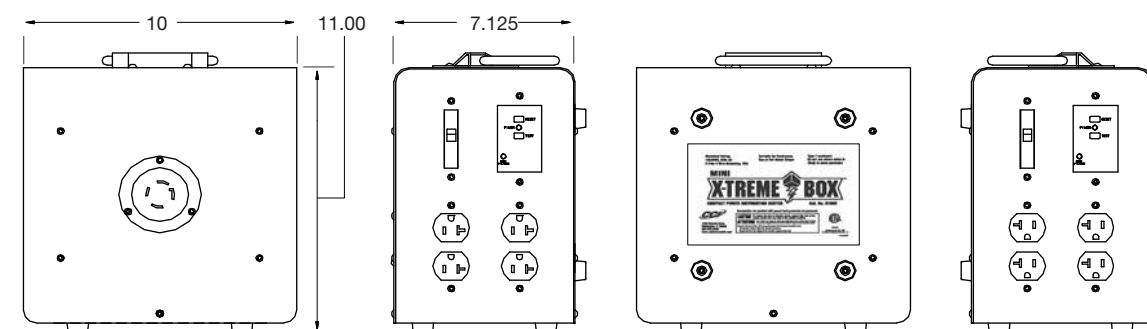
Southwire's Mini X-Treme Box™ provides more compact and less costly work-site power distribution than our popular full size models. Used along with our restoration adapters, these units are ideal for disaster restoration work where the only available power is from range outlets, dryer outlets or portable generators. Or, they can be used in any situation where a more compact, easier-to-handle unit is desired to safely expand and distribute power on jobsites.

- OSHA and NEC Compliant, c(ETL)us Listed, and Certified to CAN/CSA
- Reduces electrical hookup and labor time
- 8-overload, circuit-breaker protected 20 amp straight blade outlets.
- All outlets GFCI protected with open neutral and over-voltage protection
- Compact size for ease of use
- May be used in vertical or horizontal positions



FEATURES

- 01980**
- L14-30P 30A Power Inlet
 - 8 – NEMA 5-20R 20A Power Outlets
 - 2 – 20A Breakers Overload Protection
 - 2 – 20A GFCI auto reset GFCI Protection



PORTABLE POWER CORDS AND REPLACEMENT PLUGS/ ENDS/ADAPTERS

Rugged temporary power cords for use with the X-Treme Box™ to handle 50A 3-Pole/4-Wire 125/250v AC; safe appliance extension cords; cords for use in disaster recovery, restoration, renovation or maintenance projects requiring temporary, portable power.



01918



01919



01938



01939



01854



01834

FEATURES

Temporary Power Cords - 125/250V/50A, 6/3 - 8/1 AWG
 01918 US, 50', Type STOW
 01919 US, 100', Type STOW
 01938 Canada, 50', Assembled with UL/cUL Components
 01939 Canada, 100', Assembled with UL/cUL Components

Appliance Extension Cords

01854 10' Dryer Outlet or 30A Straight Generator Outlet
 01864 10' Range Outlet or 50A Straight Generator Outlet
 1493 25' Generator 10/4 STW Yellow Jacket®L14-30P L14-30R*

Disaster Recovery & Restoration Cords - 10/4 SE00W

01854 10' 14-30P L1430R UL/CSA
 01824 10' 14-30P CA50A UL/CSA
 01864 10' 14-50P L14-30R UL/CSA
 01844 10' L14-30P CA50A UUCSA

01834 10' 6/3 & 8/1 SEOW 14-50P CA 50A
 1493 25ft Generator* 10/4 STW Yellow Jacket®L14-30P L14-30R*

*UL and cUL Listed

Made to meet
OSHA
 Specifications

REPLACEMENT PLUGS/ ENDS/ADAPTERS

Replacement plugs/ends/adapters constructed with impact and chemical resistant nylon, designed to keep out moisture and dust.

FEATURES

50A/125/250V 3-Pole/4-Wire Plugs/Connectors/Adapter 05958* Locking Hubbell Male Plug
 05959* Locking Hubbell Female Connector
 05974* Locking Male Plug
 05975* Locking Female Connector
 01920 6/4 SEOW 50A "Y" Adapter

Made to meet
OSHA
 Specifications

REPLACEMENT PLUGS & CONNECTORS

All jobsites require rugged, safe replacement wiring devices when the need arises. Southwire's construction-grade devices have tough, vinyl or nylon housing with many built-in features for speed and assembly convenience.



NEMA 5-15, 15A 125V STRAIGHT BLADE PLUGS & CONNECTORS

PART #	DESCRIPTION	DUTY
59840000	15A/125V Yellow Vinyl Male-Plug	Construction
59850000	15A/125V Yellow Vinyl Female Connector	Construction
59900000	15A/125V Yellow Rubber Male-Plug	Industrial
59910000	15A/125V Yellow Rubber Female Connector	Industrial
59920000	15A/125V Yellow Watertight Male-Plug	Watertight
59930000	15A/125V Yellow Watertight Female Connector	Watertight

NEMA L5-20, 20A 125V LOCKING PLUGS & CONNECTORS

PART #	DESCRIPTION	DUTY
59860000	20A/125V Locking Nylon Male-Plug	Construction
59870000	20A/125V Locking Nylon Female Connector	Construction

NEMA L5-20, 20A 125V LOCKING PLUGS & CONNECTORS

PART #	DESCRIPTION	DUTY
59620000	30A/250V Locking Nylon Male-Plug	Construction
59630000	30A/250V Locking Nylon Female Connector	Construction
59640000	30A/250V Locking Nylon Male-Plug	Construction
59650000	30A/250V Locking Nylon Female Connector	Construction

NEMA L5-30 & L6-30, 30A 250V LOCKING PLUGS & CONNECTORS

PART #	DESCRIPTION	DUTY
59620000	30A/250V Locking Nylon Male-Plug	Construction
59630000	30A/250V Locking Nylon Female Connector	Construction
59640000	30A/250V Locking Nylon Male-Plug	Construction
59650000	30A/250V Locking Nylon Female Connector	Construction

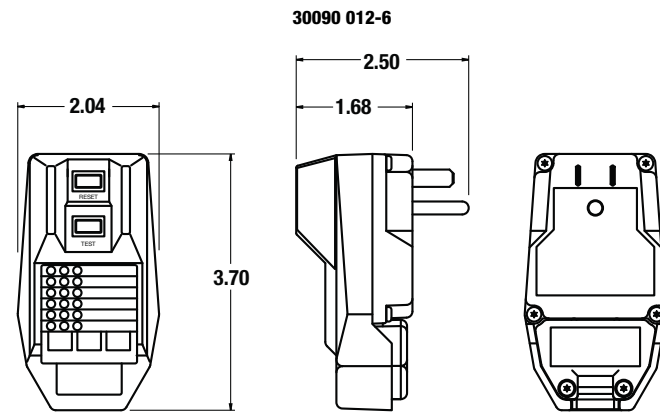
PANEL MOUNTED RECEPTACLES & BREAKERS



PART #	DESCRIPTION
18910000	Panel Mount L5-20 Receptacle
18920000	Panel Mount 5-20 Receptacle
1933600	Panel Mount L6-30 Receptacle
18940000	Panel Mount 50A CA-Style Receptacle
18950000	Panel Mount 50A CA-Style Inlet
18960000	Panel Mount 50A CA-Style Inlet w/ Cover
18970000	20A Single Pole Circuit Breaker
18980000	30A Double Pole Circuit Breaker

GFCI OUTLET TESTER

Designed to check the integrity of the wiring for ground fault and standard outlets. Tests for proper function of GFCI outlets. Features Power Quality Monitor and Nuisance Trip Test.



FEATURES

30090 012-6



Volts/Amps: 120V/15A

Wiring Diagnostics - Checks Line Neutral and Ground Wire Integrity

GFCI Tester - Inspects for proper operation and nuisance tripping.

Separate tests for a 6mA ground fault and a 3mA ground fault

Power Quality Monitor (PQM) - Identifies excessive voltage drop (approx. 6V) on the branch circuit by measuring the voltage between neutral and ground

○	●	●	WIRED CORRECTLY
●	○	●	HOT TO GROUND REVERSED
●	●	○	HOT TO NEUTRAL REVERSED
○	●	○	OPEN GROUND
○	○	●	OPEN NEUTRAL
○	○	○	OPEN HOT



Southwire™

TOOLS & EQUIPMENT

2020 CABLE PROTECTION SYSTEMS



[BUILT FOR DURABILITY.
BUILT FOR RELIABILITY.
BUILT FOR WORK.™]

SAFETY PRODUCTS

SOUTHWIRE® CABLE PROTECTION SYSTEMS

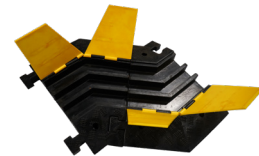
A complete cable protection system. Perfect for any application where cables are in harms way. Eliminates downtime, costly repairs and reduces liability.

APPLICATIONS FOR:

Entertainment Industry
Institutions and Municipalities
Industrial, Construction and Utilities



3 Channel Linear
31205-1



3 Channel Right & Left
31206-1,



3 Channel End Cap
31208-1

Part number	Description	Channel Qty	Length (in.)	Width (in.)	Height (in.)	Channel Size (H x W)	Weight (lbs)	Load Capacity / Per Axle Cap (lbs)	Base Material	Cable Lid
31200-1	Linear	5	35.4375	23.625	2.95	1.96" x 1.38"	52.9	42000/21000	Rubber	EVA (plastic)
31201-1	Left Turn	5	23.625	24.41	2.95	1.96" x 1.38"	24.7	42000/21000	Rubber	EVA (plastic)
31202-1	Right Turn	5	23.625	24.41	2.95	1.96" x 1.38"	24.7	42000/21000	Rubber	EVA (plastic)
31203-1	End Cap (2)	5	7.87	23.625	2.95	1.96" x 1.38"	17.7	42000/21000	Rubber	EVA (plastic)
31205-1	Linear	3	35.4375	23.625	2.95	1.96" x 2.09"	52.9	42000/21000	Rubber	EVA (plastic)
31206-1	Left Turn	3	23.625	24.41	2.95	1.96" x 2.09"	24.7	42000/21000	Rubber	EVA (plastic)
31207-1	Right Turn	3	23.625	24.41	2.95	1.96" x 2.09"	24.7	42000/21000	Rubber	EVA (plastic)
31208-1	End Cap (2)	3	7.87	23.625	2.95	1.96" x 2.09"	17.7	42000/21000	Rubber	EVA (plastic)

BLACK JACKET™ LIGHT DUTY CABLE PROTECTOR

MODEL	DESCRIPTION	LENGTH	WIDTH	HEIGHT	WEIGHT	SLOT SIZE	# OF SLOTS
31108-1	Linear	36"	19"	2"	22 lbs.	1.25"	5
31109-1	End Cap Set	6"	19"	2"	7 lbs.	1.25"	5
31110-1	'Y' for Left & Right Turns	22"	22"	2"	13 lbs.	1.25"	5
31113-1*	T-Section	17.5"	17.5"	2"	13 lbs.	1.25"	5

* BLACK JACKET HAS ONE FEMALE CONNECTOR AND THREE MALE CONNECTORS.



Southwire™

TOOLS & EQUIPMENT

2020 OSHA SPECIFICATIONS



BUILT FOR DURABILITY.
BUILT FOR RELIABILITY.
BUILT FOR WORK.™

DEFINITIONS & STANDARDS

GFCI

A Ground Fault Circuit Interrupter is an LCPD specifically intended for the protection of people from shock hazard. A GFCI is a device that will immediately stop the flow of electricity if it senses any voltage loss, whether the loss is through the ground wire or to your body.

EGFPD

Equipment Ground-fault Protective Devices (EGFPD) These devices operate to disconnect the electric circuit from the source supply when the ground -fault current exceeds the ground-fault pick up level marked on the equipment. EGFPD's are intended to be installed only on grounded alternating-current systems IAW National Electric code. EGFPD's are intended for use in applications where ground-fault protection of equipment is required. EGFPD's are not intended to be used in place of GFCI where a GFCI is required by NEC.

ELCI

Equipment Leakage Circuit Interrupters are a class of LCPD not considered to be "people protectors," and are generally only intended for equipment protection. ELCIs are virtually identical with ALCIs with the exception that the trip level is set higher than 6mA.

ALCI

Appliance Leakage Current Interrupters are a class of leakage current protection devices closely related to GFCIs. In fact, they share the same limits for trip level and response time. The main difference is that ALCI's are intended for use only in circuits with a solidly grounded neutral conductor.

LCDI

Leakage Current Detection Interrupter cord sets are intended to sense leakage currents flowing between or from conductors of the cord set and interrupt the circuit.

AFCI

Arc Fault Circuit Interrupters are designed to mitigate the affect of electrical arcs. Defined by UL 1699 they can be provided as circuit breakers, outlet devices, combination devices, adapters and cord sets. The AFCI must differentiate a normal arc (i.e., power tool, light switch, etc.) from a bad arc (i.e., a parallel fault in the wiring). To avoid nuisance tripping, the trip levels are quite higher and time longer than GFCIs, ALCIs or LCDIs. A cord type AFCI's maximum trip level is 75A for parallel fault and 5A for a series fault, both of which could be a fire in progress.

PRCD

Portable Residual Current Devices are designed for use in international applications and intended to protect people from electrical shock by interrupting the electrical circuit to a load when a fault current exceeds its rated trip level. They are compliant with IEC and NEMA standards, depending upon your country of use, and are available in 120V to 230V versions with 6-30mA trip levels.

UL STANDARDS

UL Listed products are used in applications where the product is not an integral part of the manufactured system. UL Listed wire and cable products are intended for use within residential, commercial or industrial buildings.

OSHA REGULATIONS

OSHA's scope of regulation covers three major business areas; the Construction Industry, the Maritime Industry and a third category, General Industry, which covers most other business enterprises except for those in mining and agriculture which are overseen by other government agencies. OSHA's regulations are Federal Law and are contained in the U.S. Government's Code of Federal Regulations (CFR). Violations of OSHA regulations can subject companies to legal action and fines.

NEC (NATIONAL ELECTRICAL CODE) STANDARDS

The National Electrical Code (NEC®) requires use of listed products to meet the requirements of various "Articles" within the code.

OSHA REGULATIONS

GROUND FAULT PROTECTION

29CFR1910.304(b)(3)(ii)(A) All 125-volt, single-phase, 15-, 20-, and 30-ampere receptacle outlets that are not part of the permanent wiring of the building or structure and that are in use by personnel shall have ground-fault circuit-interrupter protection for personnel.

Note 1 to paragraph (b)(3)(ii)(A) of this section: A cord connector on an extension cord set is considered to be a receptacle outlet if the cord set is used for temporary electric power.

Note 2 to paragraph (b)(3)(ii)(A) of this section: Cord sets and devices incorporating the required ground-fault circuit-interrupter that are connected to the receptacle closest to the source of power are acceptable forms of protection.

29CFR1910.304(b)(3)(ii)(B) Receptacles other than 125 volt, single-phase, 15-, 20-, and 30-ampere receptacles that are not part of the permanent wiring of the building or structure and that are in use by personnel shall have ground-fault circuit-interrupter protection for personnel.

29CFR1910.304(b)(3)(ii)(C) Where the ground-fault circuit-interrupter protection required by paragraph (b)(3)(ii)(B) of this section is not available for receptacles other than 125-volt, single-phase, 15-, 20-, and 30-ampere, the employer shall establish and implement an assured equipment grounding conductor program covering cord sets, receptacles that are not a part of the building or structure, and equipment connected by cord and plug that are available for use or used by employees on those receptacles. This program shall comply with the following requirements (2 pages...)

1926.404(b)(ii) Ground-fault circuit interrupters. All 120-volt, single-phase, 15- and 20-ampere receptacle outlets on construction sites, which are not a part of the permanent wiring of the building or structure and which are in use by employees, shall have approved ground-fault circuit interrupters for personnel protection. Receptacles on a two-wire, single-phase portable or vehicle-mounted generator rated not more than 5kW, where the circuit conductors of the generator are insulated from the generator frame and all other grounded surfaces, need not be protected with ground-fault circuit interrupters.

CORD PROTECTION

29CFR1910.304(b)(1) Examination. Electric equipment shall be free from recognized hazards that are likely to cause death or serious physical harm to employees. Safety of equipment shall be determined using the following considerations:

(viii) Other factors that contribute to the practical safeguarding of persons using or likely to come in contact with the equipment.

(7) Mechanical execution of work. Electric equipment shall be installed in a neat and workmanlike manner. 29CFR1910.305(a)(2)(x) Flexible cords and cables shall be protected from accidental damage, as might be caused, for example, by sharp corners, projections, and doorways or other pinch points.

29CFR1910.305(a)(2)(xi) Cable assemblies and flexible cords and cables shall be supported in place at intervals that ensure that they will be protected from physical damage. Support shall be in the form of staples, cables ties, straps, or similar type fittings installed so as not to cause damage.

1926.403 (b)(1) the employer shall ensure that electrical equipment is free from recognized hazards that are likely to cause death or serious physical harm to employees. Safety equipment shall be determined on the basis of the following considerations:

(vii) Other factors which contribute to the practical safeguarding of employees using or likely to come in contact with the equipment.

29CFR1926.405(a)(2)(ii)(B) Branch circuits shall originate in a power outlet or panelboard. Conductors shall be run as multiconductor cord or cable assemblies or open conductors, or shall be run in raceways. All conductors shall be protected by overcurrent devices at their ampacity. Runs of open conductors shall be located where the conductors will not be subject to physical damage, and the conductors shall be fastened at intervals not exceeding 10 feet (3.05 m). No branch-circuit conductors shall be laid on the floor. Each branch circuit that supplies receptacles or fixed equipment shall contain a separate equipment grounding conductor if the branch circuit is run as open conductors.

29CFR1926.416(e)(1) Worn or frayed electric cords or cables shall not be used.

