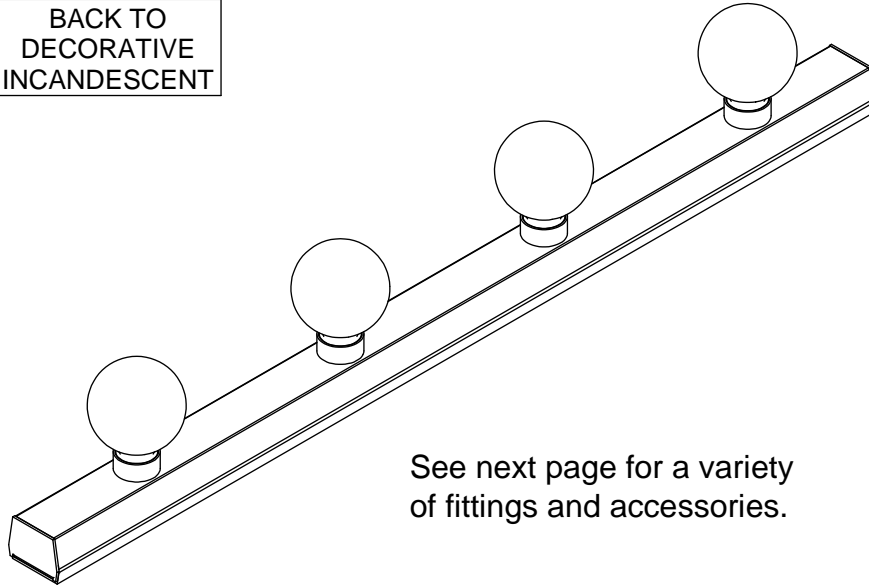
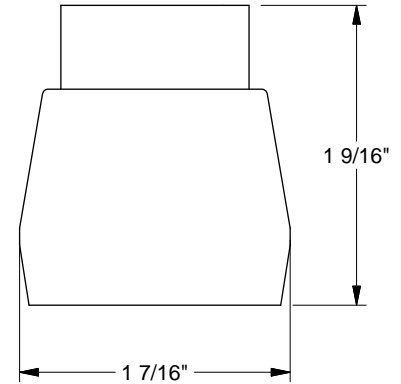


Type: _____

BACK TO
DECORATIVE
INCANDESCENT



See next page for a variety
of fittings and accessories.

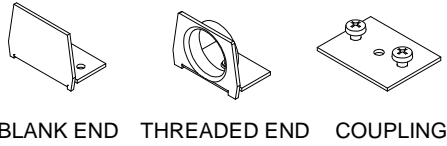


DESCRIPTION	SATIN ALUM.	POLISHED ALUM.	POLISHED GOLD
2' fixture, 4 lampholders, 6" o.c.	118020	118021	118022
3' fixture, 6 lampholders, 6" o.c.	118030	118031	118032
4' fixture, 8 lampholders, 6" o.c.	118040	118041	118042
5' fixture, 10 lampholders, 6" o.c.	118050	118051	118052
10' fixture, 20 lampholders, 6" o.c.	118100	118101	118102

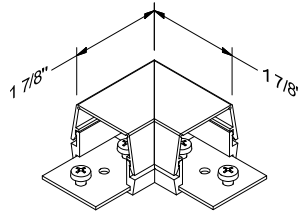
SPECIFICATIONS

- Extruded aluminum with satin, polished aluminum or polished gold finish standard, custom finishes available upon special request.
- Supplied with phenolic candelabra base lamp holders, lamps by others.
- Fixtures are shipped with blank end caps, for continuous row mounting, simply remove end caps where luminaires meet, and use the internal coupler (provided) to make a seamless link.
- Easy installation and wiring through snap off wiring compartment.
- Incandescent lamps are easily dimmed with standard dimming controls.
- Lamps mounted on 6 in. centers is standard.
- 40 watt max lamps for ceiling mount, 60 watt max for wall mounting or lamp base down mounting.
- Ideal for use with screw base energy efficient alternate to incandescent lamps.
- All units are UL & CUL LISTED damp locations. Optionally available for wet locations.
- Consult factory for special lengths, miters, lamp spacing, curving & layouts,
- On custom length continuous row luminaires lamp centers are adjusted to fit evenly over the length of the fixture.
- Lamp guards are available. See lamp guard sheets for information.

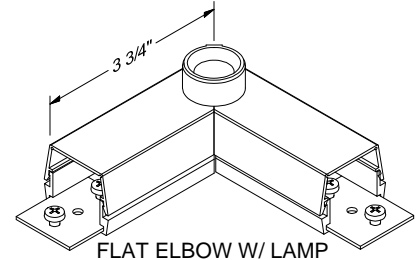
Type: _____



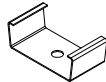
BLANK END THREADED END COUPLING



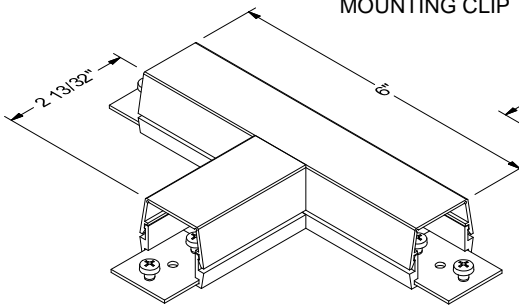
FLAT ELBOW



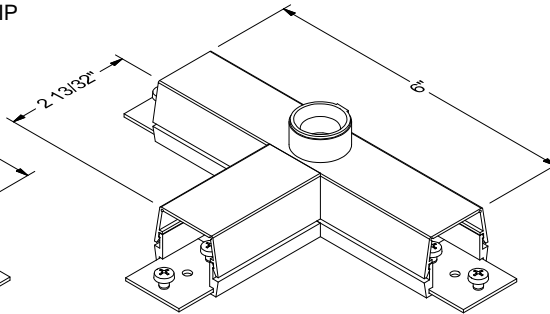
FLAT ELBOW W/ LAMP



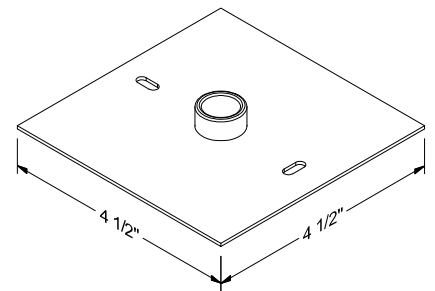
MOUNTING CLIP



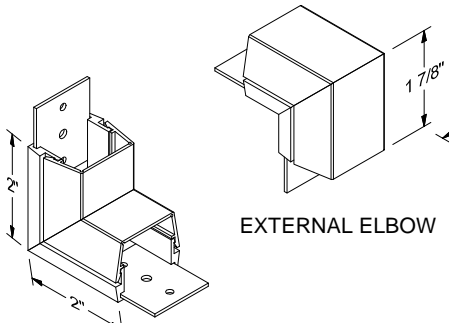
FLAT TEE



FLAT TEE W/ LAMP

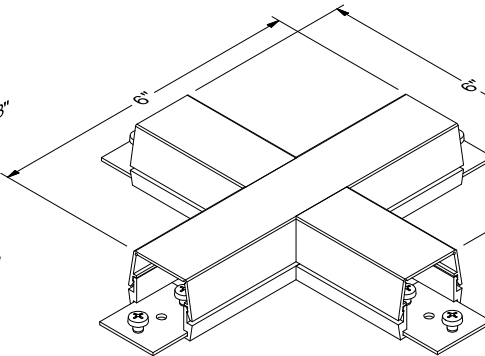


OUTLET BOX ADAPTER

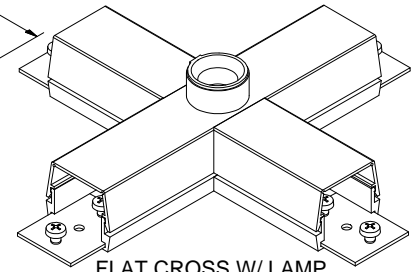


INTERNAL ELBOW

EXTERNAL ELBOW



FLAT CROSS



FLAT CROSS W/ LAMP

DESCRIPTION

COUPLING
BLANK END
END FITTING, 1/2" THREADED END
MOUNTING CLIP
BOX ADAPTER
FLAT ELBOW
FLAT ELBOW W/ LAMP HOLDER
INTERNAL ELBOW
EXTERNAL ELBOW
TEE
TEE W/ LAMP HOLDER
CROSS
CROSS W/ LAMP HOLDER
LAMP GUARD

**SATIN
ALUMINUM**

118430
118470
118480
118491
118700
118890
118900
118910
118920
118930
118940
118950
118960
118001

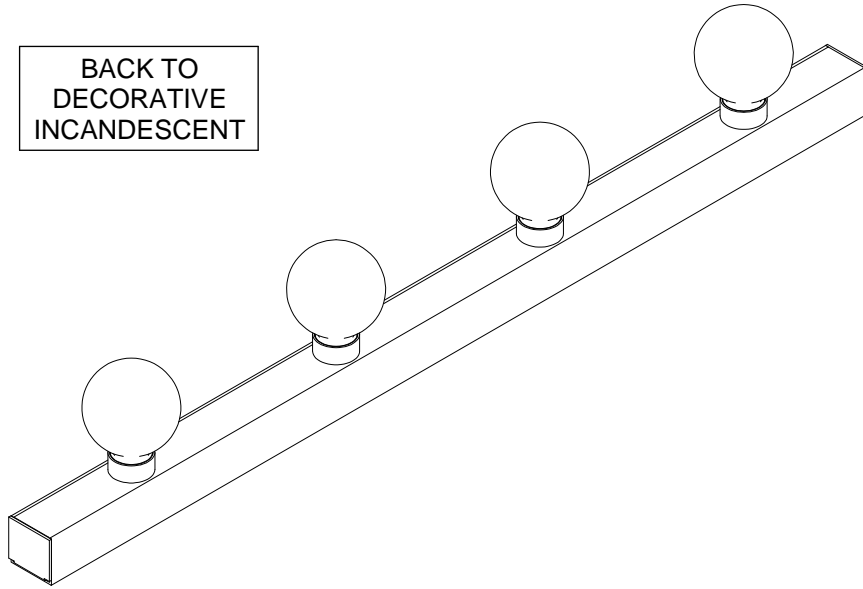
**POLISHED
ALUMINUM**

118430
118471
118481
118491
118701
118891
118901
118911
118921
118931
118941
118951
118961
118001

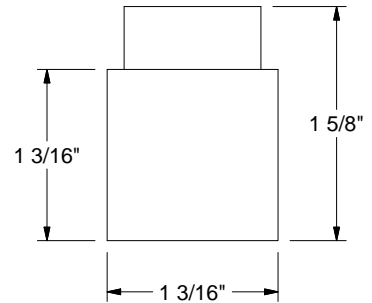
**POLISHED
GOLD**

118430
118472
118482
118492
118702
118892
118902
118912
118922
118932
118942
118952
118962
118002

BACK TO
DECORATIVE
INCANDESCENT



Type: _____



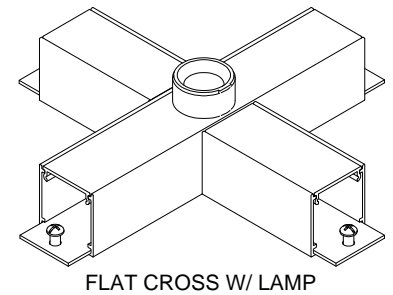
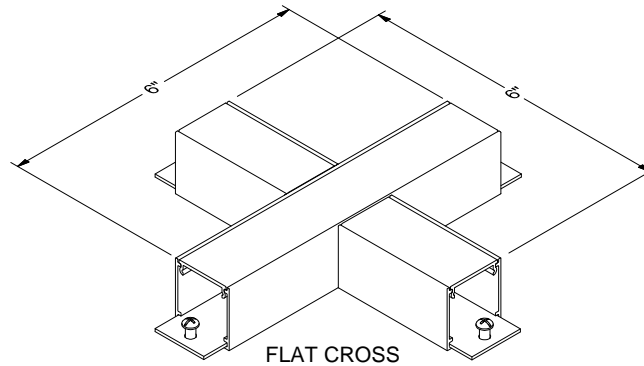
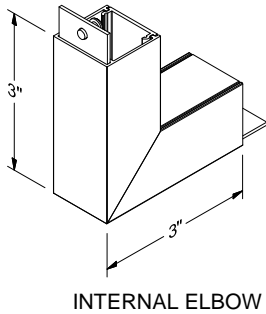
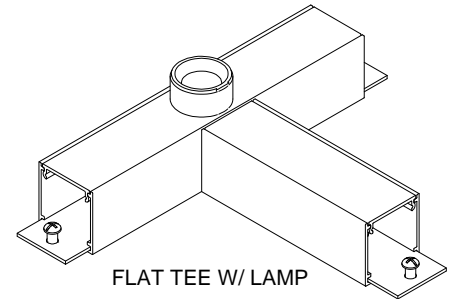
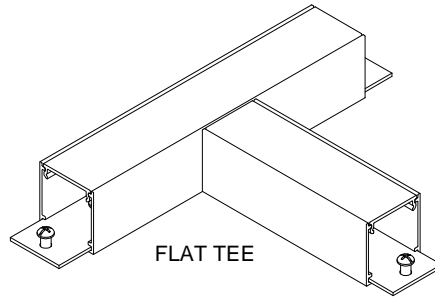
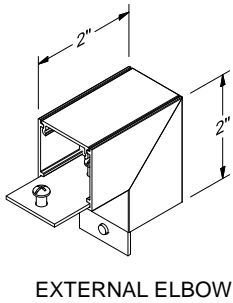
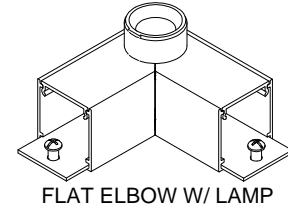
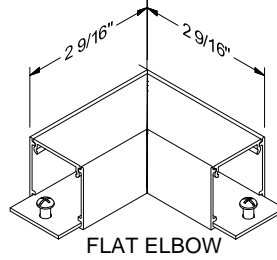
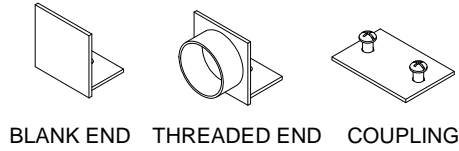
DESCRIPTION

	SATIN ALUMINUM	POLISHED ALUMINUM	POLISHED GOLD
2' FIXTURE, 4 LAMP HOLDERS, 6" O.C.	130020	130021	130022
3' FIXTURE, 6 LAMP HOLDERS, 6" O.C.	130030	130031	130032
4' FIXTURE, 8 LAMP HOLDERS, 6" O.C.	130040	130041	130042
5' FIXTURE, 10 LAMP HOLDERS, 6" O.C.	130050	130051	130052
10' FIXTURE, 20 LAMP HOLDERS, 6" O.C.	130100	130101	130102

SPECIFICATIONS

- Extruded aluminum with anodized, polished aluminum or polished gold finish standard, custom finishes available upon special request.
- Supplied with phenolic candelabra base lamp holders, lamps by others.
- Fixtures are shipped with blank end caps, for continuous row mounting, simply remove end caps where luminaires meet, and use the internal coupler (provided) to make a seamless link.
- Easy installation and wiring through snap off wiring compartment.
- Incandescent lamps are easily dimmed with standard dimming controls.
- Lamps mounted on 6 in. centers is standard.
- 40 watt max lamps for ceiling mount, 60 watt max for wall mounting or lamp base down mounting.
- Ideal for use with screw base energy efficient alternate to incandescent lamps.
- All units are UL & CUL LISTED damp locations. Optionally available for wet locations.
- Consult factory for special lengths, miters, lamp spacing, curving & layouts,
- On custom length continuous row luminaires lamp centers are adjusted to fit evenly over the length of the fixture.
- Lamp guards are available. See lamp guard sheets for information.

Type: _____



DESCRIPTION

COUPLING
BLANK END
END FITTING, 1/2" THREADED END
FLAT ELBOW
FLAT ELBOW W/ LAMP HOLDER
INTERNAL ELBOW
EXTERNAL ELBOW
TEE
TEE W/ LAMP HOLDER
CROSS
CROSS W/ LAMP HOLDER
LAMP GUARD

SATIN ALUMINUM

130430
130470
130480
130890
130900
130910
130920
130930
130940
130950
130960
118001

POLISHED ALUMINUM

130430
130471
130481
130891
130901
130911
130921
130931
130941
130951
130961
118001

POLISHED GOLD

130430
130472
130482
130892
130902
130912
130922
130932
130942
130952
130962
118002