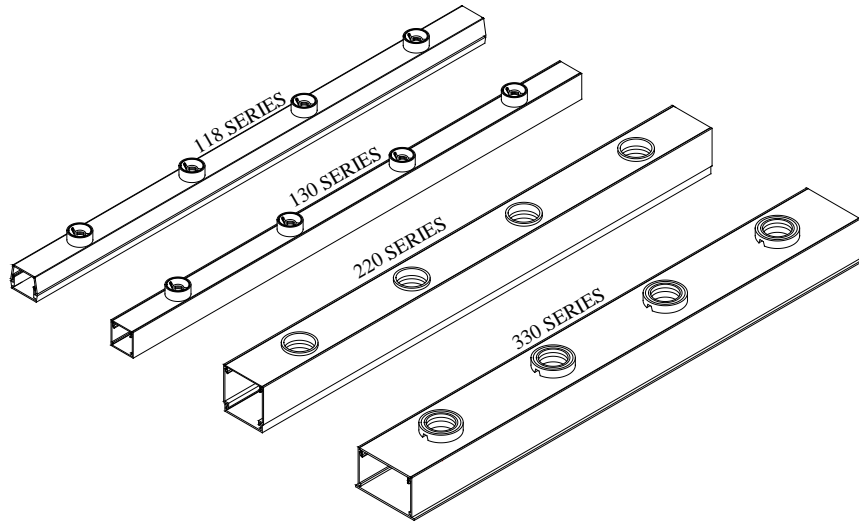
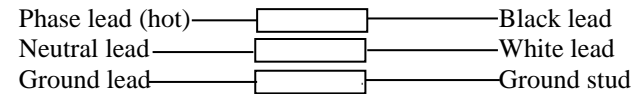


Incandescent Luminaires Installation Instruction



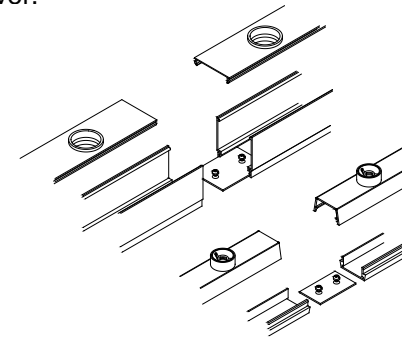
Supply conductors

Luminaires connections



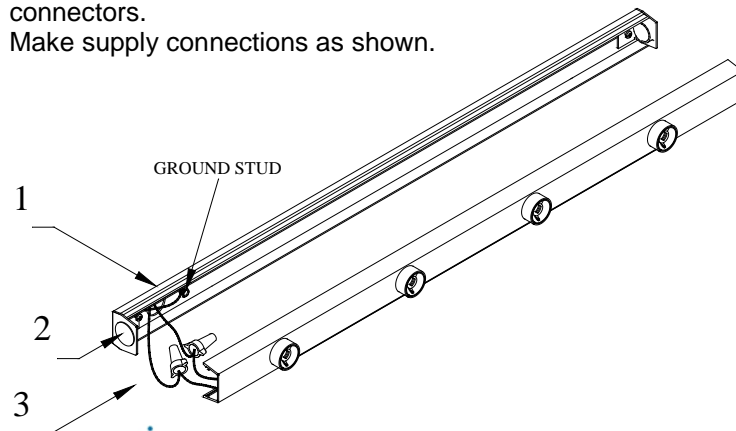
To coupler two or more luminaires

1. Remove end caps where luminaires are to butt together.
2. Position coupler into the groove of the base so that it straddles two luminaires where they adjoin.
3. Tighten set screws, connect wires with wire connectors and snap in cover.



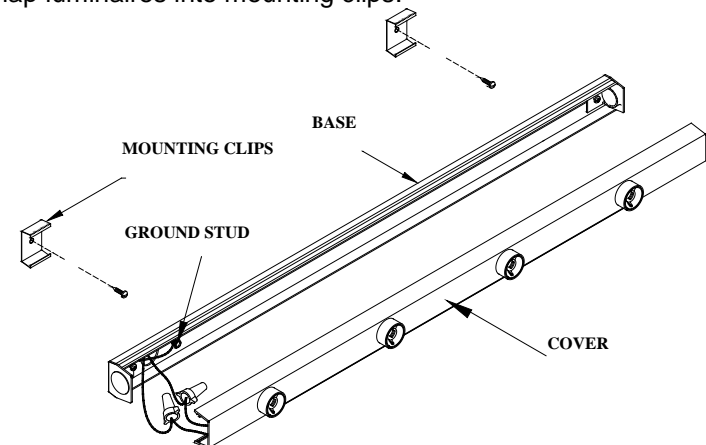
Supply connectors

1. Supply conductors may feed through 1/2" trade size KO in base, or through feed end fitting.
2. Feed wires are provided at both ends of luminaires for supply connectors.
3. Make supply connections as shown.



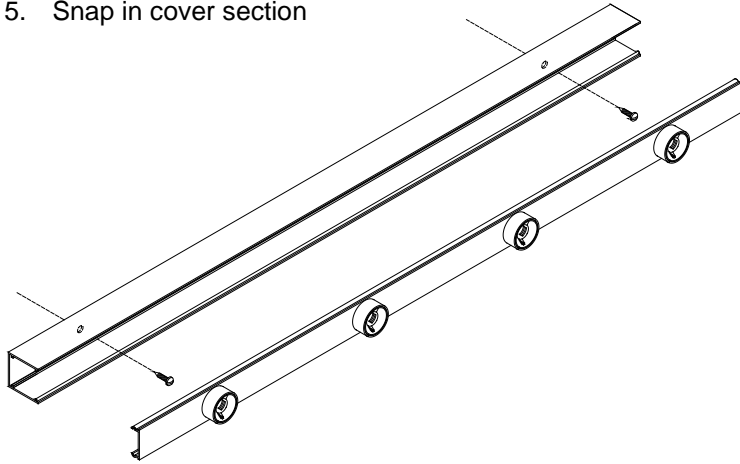
To mount 118 series Luminaires using mounting clips. (For alternate mounting method see other side)

1. Secure mounting clips to mounting surface with #8 screws.
2. Snap luminaires into mounting clips.



To mount 130, 220, 330 series Luminaires and alternate mounting for 118.

1. Remove cover using a putty knife between the cover and base, starting at one end working your way to the other pry the cover off. See picture to the right.
2. Drill 9/32" holes in the base, as required to secure to mounting surface.
3. Fasten base section with #8 flat head screws.
4. Connect feed wires with wires connectors
5. Snap in cover section



To mount 330 Luminaires series. For alternate mounting method see above

1. Remove key hole knock outs from base.
2. Locate the base in desired mounting position.
3. Install # 8 or # 10 screws to match key hole spacing.
4. Connect wire with wires connectors.
5. Snap in cover.

