



## **SAE 100R1 AT Hydraulic Hose**



**Tube:** Oil resistant Synthetic Rubber

**Cover:** Oil, weather and abrasion resistant Synthetic Rubber

**Reinforcement:** 1W/B braid of high tensile steel wire

**Applications:** Petroleum base hydraulic fluids and lubrication oils, water, water/glycol and water/ oil emulsion and hydraulic fluids

**Use with:** Braided hose crimp fittings

### **Interchanges with:**

- Gates G1
- Parker 421
- Aeroquip FC211
- Weatherhead H104

<i>Dash</i>	ID	OD	Working Pressure	Burst Pressure	Min. B/Radius	Weight
<i>Size</i>	Inch	Inch	PSI	PSI	Inch	lb/ft
<b>4</b>	<b>1/4</b>	<b>0.55</b>	<b>3000</b>	<b>12000</b>	<b>3.94</b>	<b>0.15</b>
<b>5</b>	<b>5/16</b>	<b>0.62</b>	<b>2500</b>	<b>10000</b>	<b>4.53</b>	<b>0.17</b>
<b>6</b>	<b>3/8</b>	<b>0.71</b>	<b>2250</b>	<b>9000</b>	<b>4.92</b>	<b>0.23</b>
<b>8</b>	<b>1/2</b>	<b>0.85</b>	<b>2000</b>	<b>8000</b>	<b>7.09</b>	<b>0.28</b>
<b>10</b>	<b>5/8</b>	<b>0.97</b>	<b>1500</b>	<b>6000</b>	<b>8.07</b>	<b>0.31</b>
<b>12</b>	<b>3/4</b>	<b>1.13</b>	<b>1250</b>	<b>5000</b>	<b>9.45</b>	<b>0.42</b>
<b>16</b>	<b>1</b>	<b>1.44</b>	<b>1000</b>	<b>4000</b>	<b>11.81</b>	<b>0.59</b>
<b>20</b>	<b>1-1/4</b>	<b>1.76</b>	<b>625</b>	<b>2500</b>	<b>16.54</b>	<b>0.85</b>
<b>24</b>	<b>1-1/2</b>	<b>2.05</b>	<b>500</b>	<b>2000</b>	<b>19.69</b>	<b>1.01</b>
<b>32</b>	<b>2</b>	<b>2.59</b>	<b>375</b>	<b>1500</b>	<b>24.8</b>	<b>1.35</b>



## **SAE 100R1 AT Hydraulic Hose**

<b>PART NUMBER</b>	<b>LIST PRICE/FT</b>
100R1AT – 1/4	\$1.03
100R1AT – 5/16	\$1.25
100R1AT – 3/8	\$1.47
100R1AT – 1/2	\$1.88
100R1AT – 3/4	\$2.65
100R1AT – 1	\$3.49
100R1AT – 1-1/4	\$4.36
100R1AT – 1-1/2	\$5.40
100R1AT – 2	\$7.10



## **SAE 100R2 AT Hydraulic Hose**



**Tube:** Oil resistant Synthetic Rubber

**Cover:** Oil, weather and abrasion resistant Synthetic Rubber

**Reinforcement:** 2 W/B braid of high tensile steel wire

**Applications:** Petroleum base hydraulic fluids and lubrication oils, water, water/glycol and water/ oil emulsion and hydraulic fluids

**Use with:** Braided hose crimp fittings

### **Interchanges with:**

- Gates G2
- Aeroquip FC212
- Parker 301 or BXX
- Weatherhead H425

Dash	ID	OD	Working Pressure	Burst Pressure	Min. B Radius	Weight
Size	Inch	Inch	PSI	PSI	Inch	lb/ft
4	1/4	0.56	5000	20000	3.93	0.22
5	5/16	0.68	4250	17000	4.53	0.26
6	3/8	0.78	4000	16000	4.92	0.36
8	1/2	0.91	3500	14000	7.09	0.41
10	5/8	1.04	2750	11000	8.07	0.44
12	3/4	1.19	2250	9000	9.45	0.6
16	1	1.53	2000	8000	11.81	0.89
20	1-1/4	1.95	1625	6500	16.54	1.39
24	1-1/2	2.20	1250	5000	19.69	1.58
32	2	2.70	1125	4500	24.8	2



## **SAE 100R2 AT Hydraulic Hose**

<b>PART NUMBER</b>	<b>LIST PRICE/FT</b>
100R2AT-1/4	\$1.30
100R2AT-5/16	\$1.65
100R2AT-3/8	\$1.88
100R2AT-1/2	\$2.27
100R2AT-5/8	\$2.83
100R2AT-3/4	\$3.29
100R2AT-1	\$4.60
100R2AT-1-1/4	\$5.86
100R2AT-1-1/2	\$6.97
100R2AT-2	\$8.94



## **SAE 100R16 S Hydraulic Hose**



**Tube:** Oil resistant Synthetic Rubber

**Cover:** Oil, weather and abrasion resistant Synthetic Rubber

**Reinforcement:** 2W/B braids of high tensile steel wire

**Applications:** Petroleum base hydraulic fluids and lubrication oils, water, water/glycol and water/ oil emulsion and hydraulic fluids

**Use with:** Braided hose crimp fittings

### **Interchanges with:**

- Gates M2T
- Parker 431
- Aeroquip GH781
- Weatherhead H245

Dash	ID	OD	Working Pressure	Burst Pressure	Min. B Radius	Weight
Size	Inch	Inch	PSI	PSI	Inch	lb/ft
4	1/4	0.57	5500	23000	1.97	0.22
5	5/16	0.62	5000	20000	2.17	0.26
6	3/8	0.74	4750	19000	2.56	0.36
8	1/2	0.87	3750	15000	3.54	0.41
10	5/8	1	3500	14000	3.94	0.44
12	3/4	1.14	3000	12000	4.72	0.6
16	1	1.44	2000	9000	5.91	0.89
20	1-1/4	1.74	1625	7000	8.27	1.39



## **SAE 100R16 S Hydraulic Hose**

PART NUMBER	LIST PRICE/FT
100R16AT-1/4	\$1.46
100R16AT-5/16	\$1.84
100R16AT-3/8	\$2.10
100R16AT-1/2	\$2.52
100R16AT-5/8	\$3.16
100R16AT-3/4	\$3.68
100R16AT-1	\$5.15



## **SAE 100R17 Hydraulic Hose**



**Tube:** Oil resistant Synthetic Rubber

**Cover:** Oil, weather and abrasion resistant Synthetic Rubber

**Reinforcement:** 1W/B (up to 1/2") or 2W/B (From 5/8") braid of high tensile steel wire

**Applications:** Petroleum base hydraulic fluids and lubrication oils, water, water/glycol and water/ oil emulsion and hydraulic fluids

**Use with:** Braided hose crimp fittings

### **Interchanges with:**

- Gates M3K
- Parker 451
- Aeroquip FC639
- Weatherhead H145

Dash	ID	OD	Working Pressure	Burst Pressure	Min. B/Radius	Weight
Size	Inch	Inch	PSI	PSI	Inch	lb/ft
4	1/4	0.52	3000	12000	1.97	0.14
5	5/16	0.59	3000	12000	2.17	0.16
6	3/8	0.67	3000	12000	2.56	0.2
8	1/2	0.83	3000	12000	3.54	0.34
10	5/8	1.02	3000	12000	3.94	0.42
12	3/4	1.19	3000	12000	4.72	0.57
16	1	1.52	3000	12000	5.91	1.02



## **SAE 100R17 Hydraulic Hose**

<b>PART NUMBER</b>	<b>LIST PRICE/FT</b>
100R17AT-1/4	\$1.14
100R17AT-5/16	\$1.41
100R17AT-3/8	\$1.65
100R17AT-1/2	\$2.10
100R17AT-5/8	\$3.16
100R17AT-3/4	\$3.68
100R17AT-1	\$5.15





## **Thermoplastic SAE 100R7 Hose**



**Tube:** Thermoplastic nylon internal seamless core

**Cover:** Thermoplastic (Pin Pricked) (EXCEPTION 1/8, 3/16)

**Reinforcement:** Two layers of braided synthetic fiber

**Temp Range:** -40F / +212F

**Applications:** General hydraulic systems. Oil hydraulics, painting, compressed air and gases, chemicals and water blasting. (Without perforations it cannot be used for air or gases) Recommended for medium pressure hydraulic lines, lubrication, medium pressure gas and solvent.

### **Interchanges with:**

- Synflex 3130
- Parker 540N
- Weatherhead H436
- Aeroquip FC372
- Gates C7S

Dash	ID	OD	Working Pressure	Burst Pressure	Min. B/Radius
2	1/8	0.23	2500	10000	0.51
3	3/16	0.39	3000	12000	0.79
4	1/4	0.45	3000	12000	1.30
5	5/16	0.53	2500	10000	1.81
6	3/8	0.65	2250	9000	2.01
8	1/2	0.77	2000	8000	2.99
12	3/4	0.98	1250	5000	5
16	1	1.30	1000	4000	7.99



## **Thermoplastic SAE 100R7 Hose**

<b>INCH</b>	<b>OD Inch</b>	<b>WP</b>	<b>BP</b>	<b>LIST PRICE/FT</b>
1/8	0.23	3000 PSI	12000 PSI	\$1.33
3/16	0.39	3000 PSI	12000 PSI	\$1.82
1/4	0.45	2750 PSI	11000 PSI	\$2.13
5/16	0.53	2500 PSI	10000 PSI	\$2.31
3/8	0.65	2250 PSI	9000 PSI	\$2.44
1/2	0.77	2000 PSI	8000 PSI	\$3.69
3/4	0.98	1250 PSI	5000 PSI	\$4.56
1	1.30	1000 PSI	4000PSI	\$5.92



## Thermoplastic Non-Conductive SAE 100R7 Hose



**Tube:** Nylon

**Cover:** Orange thermoplastic – Pin Pricked (EXCEPT 1/8, 3/16)

**Reinforcement:** Two layers of braided synthetic Fiber

**Temp Range:** -40F / +212F

**Applications:** Medium pressure non-conductive hose suitable for petroleum or synthetic based hydraulic fluids used in hydraulic applications requiring electrical high insulation or non-conductivity in high tension environment e.g. near electrical power lines.

Hydraulic oil lines where electrical non-conductivity is required.

Recommended for hydraulic system service with petroleum, fire-resistant and water base fluids, pneumatic, fuel and lubricating systems

### **Interchanges with:**

Synflex 37NC

Weatherhead H435

Aeroquip FC373

Dash	ID	OD	Working Pressure	Burst Pressure	Min. B/Radius
Size	Inch	Inch	PSI	PSI	Inch
2	1/8	0.24	2500	10000	0.51
3	3/16	0.39	3000	12000	0.79
4	1/4	0.45	3000	12000	1.30
5	5/16	0.53	2500	10000	1.81
6	3/8	0.65	2250	9000	2.01
8	1/2	0.77	2000	8000	2.99
12	3/4	0.98	1250	5000	5
16	1	1.30	1000	4000	7.99



## **Thermoplastic Non-Conductive SAE 100R7 Hose**

INCH	OD INCH	WP	BP	LIST PRICE/FT
1/8	0.24	3000 PSI	12000 PSI	\$1.47
3/16	0.39	3000 PSI	12000 PSI	\$2.00
1/4	0.45	2750 PSI	11000 PSI	\$2.35
5/16	0.53	2500 PSI	10000 PSI	\$2.53
3/8	0.65	2250 PSI	9000 PSI	\$2.67
1/2	0.77	2000 PSI	8000 PSI	\$4.04
3/4	0.98	1250 PSI	5000 PSI	\$4.56
1	1.30	1000 PSI	4000 PSI	\$5.92



## **Clearbraided PVC Hose (FDA Listed)**



**Description:** Food and beverage transfer hose

**Tube:** PVC

**Cover:** PVC Clear

**Reinforcement:** 3 polyester spirals

**Temp. Range:** +25 to +150F / -5 to +65C \*

**Applications:** Food and beverage transfer, general industrial, water main and water feed hoses, air, pneumatic applications and light vacuum

<b>Dash Size</b>	<b>ID Inch</b>	<b>OD Inch</b>	<b>Working Pressure PSI</b>	<b>Burst Pressure PSI</b>	<b>Weight Per/ft</b>
3	3/16	0.41	300	900	0.036
4	1/4	0.44	300	900	0.045
5	5/16	0.49	300	900	0.057
6	3/8	0.59	300	900	0.09
8	1/2	0.75	300	900	0.138
10	5/8	0.87	300	900	0.151
12	3/4	1.02	250	750	0.165
16	1	1.30	150	450	0.219
20	1-1/4	1.62	150	450	0.45
24	1-1/2	1.97	150	450	0.64
32	2	2.44	150	450	0.95

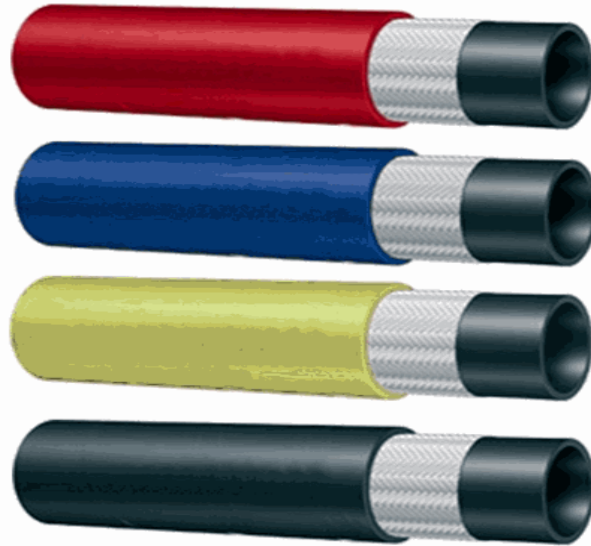


## **Clearbraid PVC Hose (FDA Listed)**

<b>PART NUMBER</b>	<b>ID</b>	<b>WP</b>	<b>BP</b>	<b>LIST PRICE/FT</b>
10210445-300	3/16"	300 PSI	900 PSI	\$0.31
10240658-300	1/4"	300 PSI	900 PSI	\$0.35
10240855-300	5/16"	300 PSI	900 PSI	\$0.44
10241057-300	3/8"	300 PSI	900 PSI	\$0.48
10241359-300	1/2"	300 PSI	900 PSI	\$0.64
10241656-300	5/8"	300 PSI	900 PSI	\$0.91
10242502-300	3/4"	250 PSI	750 PSI	\$1.01
10242504-200	1"	150 PSI	450 PSI	\$1.52
10243255-100	1-1/4"	150 PSI	450 PSI	\$2.58
10243855-100	1-1/2"	150 PSI	450 PSI	\$3.23
10245054-100	2"	150 PSI	450 PSI	\$4.83



## General Purpose PVC Hose



**Tube:** Black PVC

**Cover:** PVC (Red, Blue, Yellow and Black)

**Reinforcement:** 2 polyester spirals

**Temp. Range:** +25 to +150F / -5 to +65C \*

**Applications:** Air and water lines, light vacuum, mold machine water cooling and water soluble chemical spray

Dash Size	ID Inch	OD Inch	Working Pressure PSI	Burst Pressure PSI	Weight lb/ft
4	1/4	0.5	300	900	0.084
5	5/16	0.562	300	900	0.098
6	3/8	0.625	300	900	0.113
8	1/2	0.75	300	900	0.144
10	5/8	0.875	250	750	0.189
12	3/4	1.03	200	750	0.233
16	1	1.312	200	750	0.341



## General Purpose PVC Hose

COLOR	PART NUMBER	ID	WP	LIST PRICE/FT
RED	T15004004501	1/4"	300 PSI	\$0.42
RED	T15005004501	5/16"	300 PSI	\$0.47
RED	T15006004501	3/8"	300 PSI	\$0.53
RED	T15008004501	1/2"	300 PSI	\$0.60
RED	T15012004201	3/4"	200 PSI	\$1.02
RED	T15016004101	1"	175 PSI	\$1.38

BLUE	T15004006501	1/4"	300 PSI	\$0.42
BLUE	T15005006501	5/16"	300 PSI	\$0.47
BLUE	T15006006501	3/8"	300 PSI	\$0.53
BLUE	T15008006501	1/2"	300 PSI	\$0.60
BLUE	T15012006201	3/4"	200 PSI	\$1.02
BLUE	T15016006101	1"	175 PSI	\$1.38

YELLOW	T15004002501	1/4"	300 PSI	\$0.42
YELLOW	T15005002501	5/16"	300 PSI	\$0.47
YELLOW	T15006002501	3/8"	300 PSI	\$0.53
YELLOW	T15008002501	1/2"	300 PSI	\$0.60
YELLOW	T15012002201	3/4"	200 PSI	\$1.02
YELLOW	T15016002101	1"	175 PSI	\$1.38

BLACK	T15004008501	1/4"	300 PSI	\$0.42
BLACK	T15005008501	5/16"	300 PSI	\$0.47
BLACK	T15006008501	3/8"	300 PSI	\$0.53
BLACK	T15008008501	1/2"	300 PSI	\$0.60
BLACK	T15012008201	3/4"	200 PSI	\$1.02
BLACK	T15016008101	1"	175 PSI	\$1.38





## **PVC Wire Vacuum Transfer Hose**



**Description:** Potable and pure water transfer hose

**Tube Compound:** PVC

**Cover:** UV resistant opaque blue flexible PVC

**Reinforcement:** Multiple polyester spirals

**Temp. Range:** -13 to +150F / -10 to +60C \*

**Applications:** Potable and pure water transfer, temporary municipal water supply connections, bottled water plants and collection of water for analysis

Dash	ID	OD	Working Pressure	Weight
Size	Inch	Inch	PSI	lb/ft
8	1/2	0.77	250	0.12
10	5/8	0.89	230	0.17
12	3/4	1.02	220	0.24
16	7/8	1.18	190	0.35
20	1	1.32	170	0.44
24	1-1/4	1.60	150	0.54
32	1-1/2	1.85	130	0.85
48	2	2.40	45	1.49



## **PVC Wire Vacuum Transfer Hose**

**CLEAR PVC WIRE REINFORCED VACUUM HOSE**

**100' STANDARD LENGTHS**

**ALL SIZES RATED AT 28" HG**

<b>PART NUMBER</b>	<b>ID</b>	<b>WP</b>	<b>LIST PRICE/FT</b>
DAR-13	1/2"	90 PSI	\$0.95
DAR-16	5/8"	90 PSI	\$1.13
DAR-19	3/4"	75 PSI	\$1.42
DAR-22	7/8"	75 PSI	\$1.64
DAR-25	1"	75 PSI	\$2.00
DAR-32	1-1/4"	60 PSI	\$2.62
DAR-38	1-1/2"	60 PSI	\$3.65
DAR-51	2"	60 PSI	\$4.79
DAR-63	2-1/2"	45 PSI	\$7.57
DAR-76	3"	45 PSI	\$9.09



## Heavy Duty PVC Spray Hose



- Heavy duty spray hose 600 PSI (Yellow) and 800 PSI (Green)
- 5 PLY bonded construction
- Specially formulated compound suitable for harsh fieldwork environment
- Superb abrasion resistance
- Long lasting flexibility
- Resistant to fungicides, insecticides, fertilizers and more
- Available in 300' & 400' (3/8) coils

Dash	ID	Working Pressure	Burst Pressure	Weight
Size	Inch	PSI	PSI	Per/ft
6	3/8	600 Yellow and 800 Green 600 Orange	1740 Yellow and 2400 Green 1740 Orange	0.12
8	1/2	600 Yellow and 800 Green 600 Orange	1740 Yellow and 2400 Green 1740 Orange	0.18



## **Heavy Duty PVC Spray Hose**

<b>PART NUMBER</b>	<b>ID</b>	<b>WP</b>	<b>BP</b>	<b>LIST PRICE/FT</b>
Y-SH-6-600-300	3/8"	600 PSI	1740 PSI	\$0.80
G-SH-6-800-300	3/8"	800 PSI	2400 PSI	\$0.82
Y-SH-6-600-400	3/8"	600 PSI	1740 PSI	\$0.80
G-SH-6-800-400	3/8"	800 PSI	2400 PSI	\$0.82
O-SH-6-600-300	3/8"	600 PSI	1740 PSI	\$0.84
Y-SH-8-600-300	1/2"	600 PSI	1740 PSI	\$1.10
G-SH-8-800-300	1/2"	800 PSI	2400 PSI	\$1.13
O-SH-8-600-300	1/2"	600 PSI	1740 PSI	\$1.16



## **Bite to Wire Crimp Fittings**



Use with:

- SAE 100R2 AT Hydraulic Hose ([R2](#))
- SAE 100R16 Hydraulic Hose ([R16](#))
- SAE 100R17 Hydraulic Hose ([R17](#))
  - Hydraulic Jack Hose (HJK)
- SAE 100R1 AT Hydraulic Hose ([R1](#))
- SAE 100R3 General Purpose Hose ([R3](#))



PART NUMBER	Stem	Thread	LIST PRICE/EA
MP	1/4"	1/4	\$2.88
Male Rigid	1/4"	3/8	\$3.15
	3/8"	1/2	\$3.85
	3/8"	3/8	\$3.15
	5/8"	5/8	\$7.67
	1/2"	1/2	\$3.62
	3/4"	3/4	\$6.21
	1"	1	\$13.45



PART NUMBER	Stem	Thread	LIST PRICE/EA
PS	1/4"	1/4	\$3.53
Male Swivel	3/8"	3/8	\$5.11
	1/2"	1/2	\$7.16
	3/4"	3/4	\$9.09
	1"	1	\$15.12



PART NUMBER	Stem	Thread	LIST PRICE/EA
FJA	1/4"	-4	\$3.78
45° FJIC	1/4"	-6	\$7.52
	1/2"	-8	\$8.14



PART NUMBER	Stem	Thread	LIST PRICE/EA
FJB	1/4"	-4	\$7.99
90° FJIC	3/8"	-6	\$8.86
	1/2"	-8	\$10.35
	3/4"	-12	\$17.71
	1"	-16	\$26.53



PART NUMBER	Stem	ORB	LIST PRICE/EA
MB	1/4"	4	\$2.90
Male ORB Rigid	3/8"	6	\$4.52
	1/2"	8	\$6.64
	1"	12	\$12.74



PART NUMBER	Stem	Thread	LIST PRICE/EA
MJ	1/4"	-4	\$2.75
Male JIC Rigid	3/8"	-8	\$4.48
	1/2"	-6	\$4.16
	3/4"	-12	\$5.58
	1"	-16	\$12.74



PART NUMBER	Stem	Thread	LIST PRICE/EA
FJ	1/4"	-4	\$3.31
FJIC	1/4"	-6	\$3.04
	3/8"	-6	\$3.78
	3/8"	-8	\$3.49
	1/2"	-8	\$4.88
	1/2"	-10	\$4.36
	5/8"	-10	\$7.52
	3/4"	-10	\$7.60
	3/4"	-12	\$7.90
	1"	-12	\$15.41
	1-1/4"	-20	\$36.63
	1-1/2"	-24	\$44.91



PART NUMBER	Stem	Thread	LIST PRICE/EA
PF	1/2"	1/2	\$5.22
NPSM	1/4"	1/4	\$3.73
	3/8"	3/8	\$4.10



PART NUMBER	Stem	ORFS	LIST PRICE/EA
FRJS	1/4"	4-ORFS	\$4.88
Female Face Seal	3/8"	6-ORFS	\$5.35
	1/2"	8-ORFS	\$5.67
	3/4"	12-ORFS	\$11.27
	1"	16-ORFS	\$20.32



PART NUMBER	Stem	Thread	LIST PRICE/EA
1J1			
90° Female Face	1"	-16	\$27.26



PART NUMBER	Stem	Thread	LIST PRICE/EA
1XA78	3/4"	-12	\$16.34
CAT Flange	1"	-16	\$22.03



PART NUMBER	Stem	Thread	LIST PRICE/EA
1XN78	3/4"	-12	\$17.69
90° CAT Flange	1"	-16	\$24.71



PART NUMBER	Stem	Thread	LIST PRICE/EA
115	1"	-16	\$13.26
Code 61	1-1/4"	-20	\$20.72



PART NUMBER	Stem	Thread	LIST PRICE/EA
115H Code 62	1"	-16	\$20.34



PART NUMBER	Stem	Thread	LIST PRICE/EA
119	1"	-16	\$21.52
Code 61 90°	1-1/4"	-20	\$27.32



PART NUMBER	Stem	Thread	LIST PRICE/EA
119H Code 62 90°	1"	-16	\$23.86



## **BluBird® Rubber Air Hose(Ultra Light Weight)**



### **Technical Data:**

- Ultra light, Super-strong rubber
- Ozone resistant cover provides protection from extreme weather, abrasions and kinks
- Oil resistant core tube meets RMA Class C oil resistance
- Constructed with high strength polyester braided reinforcement
- Lesser carbon footprint
- Flexibility in extreme conditions from -50 Degrees F to 180 Degrees F
- 4 finger grip bend restrictor for better ergonomics

Available Hose Inner Diameters: ¼ Inch, 3/8 Inch, ½ Inch

Overall Length Options: 25, 50, 75, 100 Feet

Max Working Pressure: 300 PSI

<b>ITEM #</b>	<b>ITEM NAME</b>	<b>PRICE</b>
<b>BLBRD06025</b>	<b>BluBird ¼"x25' 300 PSI Rubber Air Hose</b>	<b>\$13.91</b>
<b>BLBRD06050</b>	<b>BluBird ¼"x50 300 PSI Rubber Air Hose</b>	<b>\$26.35</b>
<b>BLBRD06100</b>	<b>BluBird ¼"x100' 300 PSI Rubber Air Hose</b>	<b>\$52.06</b>
<b>BLBRD10025</b>	<b>BluBird 3/8"x25' 300 PSI Rubber Air Hose</b>	<b>\$20.34</b>
<b>BLBRD10050</b>	<b>BluBird 3/8"x50 300 PSI Rubber Air Hose</b>	<b>\$38.10</b>
<b>BLBRD10100</b>	<b>BluBird 3/8"x100 300 PSI Rubber Air Hose</b>	<b>\$71.29</b>
<b>BLBRD13025</b>	<b>BluBird ½"x25 300 PSI Rubber Air Hose</b>	<b>\$25.90</b>
<b>BLBRD13050</b>	<b>BluBird ½"x50 300 PSI Rubber Air HoseT</b>	<b>\$47.13</b>
<b>BLBRD13100</b>	<b>BluBird ½"x100 300 PSI Rubber Air Hose</b>	<b>\$92.78</b>



## **BluBird® Pro-Field Repairable Rubber Hose (Ultra Light Weight)**



**10**  
Year  
WARRANTY



*Field repairable ends allow you  
to connect fittings quickly*

### **Technical Data:**

Ultra light, Super-strong rubber

Ozone resistant cover provides protection from extreme weather, abrasions and kinks

Oil resistant core tube meets RMA Class C oil resistance

Constructed with high strength polyester braided reinforcement

Lesser carbon footprint

Flexibility in extreme conditions from -50 Degrees F to 180 Degrees F

4 finger grip bend restrictor for better ergonomics

Available Hose Inner Diameters: ¼ Inch, 3/8 Inch

Overall Length Options: 25, 50, 75, 100 Feet

Max Working Pressure: 300 PSI

Safety Factor: 4:1

ITEM #	ITEM NAME	PRICE
BLBRDPLE06050	BluBird 1/4"x50' 300 PSI Repairable Push-on Rubber Air Hose with quick coupler	\$34.66
BLBRDPLE06100	BluBird 1/4"x100 300 PSI Repairable Push-on Rubber Air Hose with quick coupler	\$60.56
BLBRDPLE10050	BluBird 3/8"x50' 300 PSI Repairable Push-on Rubber Air Hose with quick coupler	\$46.46
BLBRDPLE10100	BluBird 3/8"x100' 300 PSI Repairable Push-on Rubber Air Hose with quick coupler	\$79.67



## **BluBird® Pro-Jackhammer Hose (Ultra Light Weight)**



### **Technical Data:**

- Ultra light, Super-strong rubber
- 9 lbs. lighter than a traditional 3/4 x 50 assembly
- Ozone resistant cover provides protection from extreme weather, abrasions and kinks
- Oil resistant core tube meets RMA Class C oil resistance
- Constructed with high strength polyester braided reinforcement
- Lesser carbon footprint
- Flexibility in extreme conditions from -50 Degrees F to 180 Degrees F
- 4 finger grip bend restrictor for better ergonomics
- Wrapped finish gives better flexibility and abrasion resistance

Available Hose Inner Diameters: 3/4 Inch, 1 Inch  
 Overall Length Options: 25, 50 Feet

Max Working Pressure: 300 PSI

Safety Factor: 4:1

ITEM #	ITEM NAME	PRICE
BLBRDJLE19050F	BluBird 3/4 "x50' 300 PSI Jack-Hammer Hose with Crimped Universal Ends	\$107.92





## **BluBird® Rubber Water Hose (Ultra Light Weight)**



### **Technical Data:**

- Light weight and ultra durable
- Ozone resistant cover provides protection from extreme weather, abrasions and kinks
- Oil resistant core tube meets RMA Class C oil resistance
- Constructed with high strength polyester braided reinforcement
- Lesser carbon footprint
- Flexibility in extreme conditions from -50 Degrees F to 180 Degrees F

Available Hose Inner Diameters: 3/4 Inch, 5/8 Inch, 1/2 Inch  
Overall Length Options: 25, 50, 75, 100 Feet

Max Working Pressure: 500 PSI

ITEM #	ITEM NAME	PRICE
BLBRDHWE13050	BluBird 1/2"x50' 500 PSI Rubber Water Hose	\$41.09
BLBRDHWE13100	BluBird 1/2"x100' 500 PSI Rubber Water Hose	\$78.57
BLBRDHWE16025	BluBird 5/8"x25' 500 PSI Rubber Water Hose	\$24.67
BLBRDHWE16050	BluBird 5/8"x50' 500 PSI Rubber Water Hose	\$45.68
BLBRDHWE16075	BluBird 5/8"x75' 500 PSI Rubber Water Hose	\$64.93
BLBRDHWE16100	BluBird 5/8"x100' 500 PSI Rubber Water Hose	\$85.84
BLBRDHWE19025	BluBird 3/4"x25' 500 PSI Rubber Water Hose	\$38.58
BLBRDHWE19050	BluBird 3/4"x50' 500 PSI Rubber Water HoseT	\$64.58
BLBRDHWE19075	BluBird 3/4"x75' 500 PSI Rubber Water Hose	\$89.55
BLBRDHWE19100	BluBird 3/4x100' 500 PSI Rubber Water Hose	121.46





## **BluBird® Air Hose Reel (Retractable)**



### **Air Hose Reel Features:**

- Smooth Auto-rewind with locking 12 point ratchet gearing system which helps you to lock at various lengths
- Heavy duty steel construction
- Four rollers reduces hose wear
- Power coated, corrosion proof finish
- Horizontal and vertical wall mount options
- Adjustable guide arm

### **Hose Features:**

- Ultra light and super strong
- Ozone resistant cover provides protection from extreme weather, abrasions and kinks
- Oil resistant core tube meets RMA Class C oil resistance
- Constructed with high strength polyester braided reinforcement
- Lesser carbon footprint
- Flexibility in extreme conditions from -50 Degrees F to 180 Degrees F
- 4 finger grip bend restrictor for easy use and better durability
  
- Available Hose Inner Diameters: 1/4 Inch, 3/8 Inch, 1/2 Inch
- Overall Length Options: 50 Feet
  
- Max Working Pressure: 300 PSI
  
- Safety Factor 4:1

ITEM #	ITEM NAME	PRICE
BLBRDMHRM095050F	BluBird 3/8x50 300 PSI Retractable Rubber Air Hose	\$149.15
BLBRDMHRM13050F	BluBird 1/2x50 500 PSI Retractable Rubber Air Hose	\$159.50



## **Worm Gear Hose Clamps**



Stainless steel worm-gear band clamps for use in low pressure applications. Use to fasten brass multi-barb hose ends and low-pressure fiber-reinforced hoses. These clamps are not intended for use with hydraulic hose containing steel wire, such as SAE 100R1 or SAE 100R4.

- 1/2" Band (620 Series)
- 5/16" Band for the Mini's (350 Series)
- Stainless Housing, Band and Screw
- 3/8" to 24-7/8"

## **Mini Worm Gear Hose Clamps**

<b>PART NUMBER</b>	<b>MIN</b>	<b>MAX</b>	<b>LIST PRICE/EA</b>
<b>350-004</b>	<b>7/32"</b>	<b>5/8"</b>	<b>\$0.32</b>
<b>350-005</b>	<b>7/16"</b>	<b>11/16"</b>	<b>\$0.33</b>
<b>350-006</b>	<b>5/16"</b>	<b>7/8"</b>	<b>\$0.34</b>
<b>350-008</b>	<b>7/16"</b>	<b>1"</b>	<b>\$0.35</b>
<b>350-010</b>	<b>1/2"</b>	<b>1-1/16"</b>	<b>\$0.34</b>
<b>350-012</b>	<b>9/16"</b>	<b>1-1/4"</b>	<b>\$0.35</b>



## Worm Gear Hose Clamps

PART NUMBER	MIN	MAX	LIST PRICE/EA
620-006	3/8"	7/8"	\$0.75
620-008	7/16"	1"	\$0.76
620-010	1/2"	1-1/16"	\$0.77
620-012	1/2"	1-1/4"	\$0.79
620-016	11/16"	1-1/2"	\$0.81
620-020	3/4"	1-3/4"	\$0.82
620-024	1"	2"	\$0.85
620-028	1-1/4"	2-1/4"	\$0.88
620-032	1-1/2"	2-1/2"	\$0.94
620-036	1-3/4"	2-3/4"	\$0.96
620-040	2"	3"	\$0.95
620-044	2-1/4"	3-1/4"	\$0.98
620-048	2-1/2"	3-1/2"	\$1.01
620-052	2-3/4"	3-3/4"	\$1.03
620-056	3"	4"	\$1.05
620-060	3-1/4"	4-1/4"	\$1.08
620-064	2-1/2"	4-1/2"	\$1.11
620-072	3"	5"	\$1.16
620-080	3-1/2"	5-1/2"	\$1.20
620-088	4"	6"	\$1.24
620-096	4-1/2"	6-1/2"	\$1.29
620-104	5"	7"	\$1.34
620-116	5-3/4"	7-3/4"	\$1.47
620-128	6-1/2"	8-1/2"	\$1.53
620-152	2"	10"	\$1.71
620-188	2-1/16"	12-1/4"	\$1.88
620-200	11"	13"	\$2.04
620-212	11-3/4"	13-3/4"	\$2.08
620-224	12-1/2"	14-1/2"	\$2.15
620-248	1-3/4"	16"	\$2.20
620-270	15-3/8"	17-3/8"	\$2.28
620-312	18"	20"	\$2.53
620-390	22-7/8"	24-7/8"	\$2.82





## **Quick Release Hose Clamps**



Quick Release style worm drive clamps are indispensable for installation in closed systems where the clamp must be disengaged to be applied. The swivel-action locking of screw to band makes both installation and removal fast and easy.

- 1/2" Band
- Stainless Housing, Band and Screw
- 25mm to 508mm



## **Quick Release Hose Clamps**

<b>PART NUMBER</b>	<b>MIN (MM)</b>	<b>MAX (MM)</b>	<b>LIST PRICE/EA</b>
550-036	25	70	\$1.05
550-048	38	89	\$1.30
550-056	25	101	\$1.47
550-072	51	127	\$1.58
550-088	52	152	\$1.70
550-096	89	166	\$1.94
550-104	44	178	\$1.99
550-128	44	218	\$2.23
550-152	51	254	\$2.43
550-188	52	313	\$2.68
550-216	259	356	\$2.80
550-248	44	406	\$3.16
550-280	362	457	\$3.33
550-312	48	508	\$3.94



## **Heavy Duty T-Bolt Clamps**



Heavy-duty hose clamps with steel bolt and stainless steel band.  
Recommended for use with steel-reinforced hoses, such as SAE 100R4.  
Not intended for high-pressure hydraulic applications.

### **Construction:**

- Stainless Housing and Band
- Zinc Plated Screw

**Range:** 17-330mm or .67"-13"



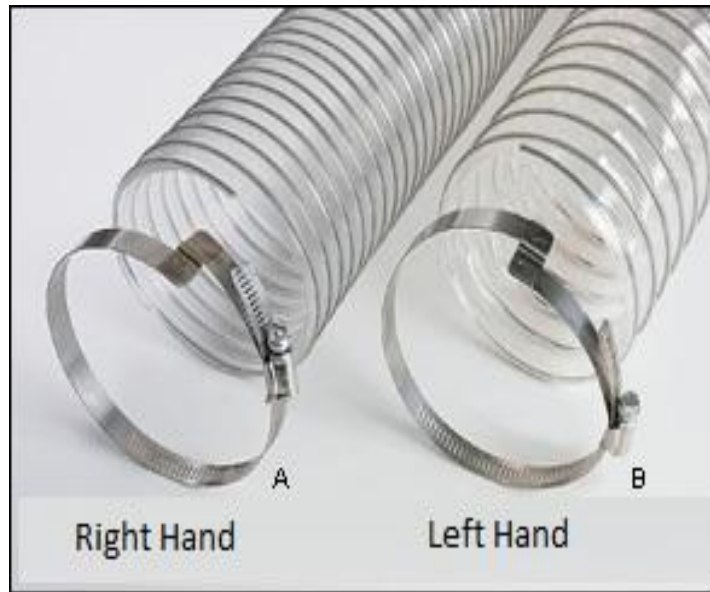
## Heavy Duty T-Bolt Clamps

REFERENCE	RANGE (INCHES)	RANGE (MM)	PART NUMBER	LIST PRICE/EA
75	.67-.75	17-19	301901-2	\$2.86
80	.75-.83	19-21	301902-0	\$2.86
85	.83-.91	21-23	301903-9	\$2.90
100	.91-.98	23-25	301904-7	\$2.94
105	.98-1.06	25-27	301905-5	\$2.96
110	1.06-1.14	27-29	301906-3	\$3.00
120	1.22-1.34	29-31	301907-1	\$3.56
125	1.34-1.46	31-34	301908-0	\$3.68
140	1.46-1.57	34-37	301909-8	\$3.84
150	1.58-1.69	37-40	301910-0	\$3.92
165	1.69-1.85	40-43	301911-9	\$3.98
175	1.85-2.01	43-47	301912-7	\$4.54
200	2.01-2.17	47-51	301913-5	\$4.70
210	2.17-2.32	51-55	301914-3	\$4.80
225	2.32-2.48	55-59	301915-1	\$5.02
238	2.48-2.68	59-63	301916-0	\$5.22
250	2.68-2.87	63-68	301917-8	\$5.46
275	2.68-2.87	68-73	301918-6	\$7.00
300	2.87-3.11	73-79	301919-4	\$7.18
325	3.11-3.35	79-85	301920-7	\$7.34
350	3.35-3.58	85-91	301921-5	\$7.54
375	3.58-3.82	91-97	301922-3	\$7.72
400	3.82-4.10	97-104	301923-1	\$7.96
425	4.10-4.41	104-112	301924-0	\$8.42
450	4.41-4.76	112-121	301925-8	\$8.64
500	4.76-5.11	121-130	301926-6	\$8.86
525	5.12-5.51	130-140	301927-4	\$12.50
575	5.51-5.91	140-150	301928-2	\$12.82
590	5.71-6.10	145-155	301928-9	\$15.64
600	5.91-6.38	150-162	301929-0	\$13.12
650	6.38-6.85	162-174	301930-3	\$13.44
700	6.85-7.36	174-187	301931-1	\$13.78
750	7.36-7.87	187-200	301932-0	\$14.14
775	7.68-8.07	195-205	301932-9	\$17.22
800	7.87-8.39	200-213	301933-8	\$14.48
850	8.39-8.90	213-226	301934-6	\$14.80
900	8.90-9.41	226-239	301935-4	\$15.16
950	9.41-9.92	239-252	301936-2	\$15.52
1000	9.92-10.83	252-265	301937-0	\$28.06
1050	10.83-10.94	265-278	301947-7	\$56.68
1275	12.48-12.99	317-330	301948-5	\$59.76





## **Bridge Clamps**



### **Features and Benefits:**

- For superior sealing. Stainless Steel, 1/2" wide band. Available in sizes 2" to 24"
- The life of all fabric ducts can be greatly extended when sized correctly according to equipment exhaust requirements.



## **Bridge Clamps**

**BCLH /CLOCKWISE**

**BCRH /COUNTER CLOCKWISE**

SIZE	LIST PRICE/EA
2"	\$4.32
3"	\$4.60
4"	\$5.40
5"	\$6.56
6"	\$7.30
7"	\$8.02
7-1/2"	\$8.52
8"	\$8.58
9"	\$9.48
10"	\$10.18
12"	\$12.78
14"	\$13.08
16"	\$15.30
18"	\$17.00
20"	\$18.66
24"	\$19.80



## **Tube and Pipe Clamps**



Heavy-Duty support clamps allow for easy routing of steel pipe or tubing and hydraulic hose. Each clamp assembly consists of: steel weld plate, two polypropylene clamp halves, steel cover plate and one or two hex head bolts depending on the clamp. Weld plates, cover plates and bolts are furnished in zinc-plated steel.

### **Interchanges with:**

- ZSI
- Stauff
- Beringer



## **Tube and Pipe Clamps (Standard Duty)**

LIGHT DUTY	MM O.D.	INCH	LIST PRICE/EA
006,4	6.4	1/4	\$1.96
008	8	5/16	\$1.96
009.5	9.5	3/8	\$1.96
010	10		\$1.96
106.4	6.4	1/4	\$2.30
108	8	5/16	\$2.30
109.5	9.5	3/8	\$2.30
110	10		\$2.30
112	12		\$2.30
212.7	12.7	1/2	\$2.44
213.5	13.5		\$2.44
215	15		\$2.44
216	16	5/8	\$2.44
217.2	17.2		\$2.44
319	19	3/4	\$2.82
320	20		\$2.82
321.3	21.3		\$2.82
322	22		\$2.82
325	25	1	\$2.82
426.9	26.9		\$3.18
428	28		\$3.18
428.6	28.6		\$3.18
430	30		\$3.18
532	32	1-1/4	\$3.58
533.7	33.7		\$3.58
535	35		\$3.58
538	38	1-1/2	\$3.58
540	40		\$3.58
541	41		\$3.58
542	42		\$3.58
644.5	44.5	1-3/4	\$5.40
648	48		\$5.40
650.8	50.8	2	\$5.40
657	57		\$5.40



## **Tube and Pipe Clamps (Twin Duty)**

<b>TWIN</b>	<b>MM O.D.</b>	<b>INCH</b>	<b>LIST PRICE/EA</b>
106.4	6.4	1/4	\$3.04
108	8	5/16	\$3.04
109.5	9.5	3/8	\$3.04
110	10		\$3.04
212.7	12.7	1/2	\$3.52
213.5	13.5		\$3.52
216	16	5/8	\$3.52
217.2	17.2		\$3.52
218	18		\$3.52
319	19	3/4	\$4.10
321.3	21.3		\$4.10
325	25	1	\$4.10
426.9	26.9		\$4.66
428	28		\$4.66
430	30		\$4.66
532	32	1-1/4	\$6.34
533.7	33.7		\$6.34
538	38	1-1/2	\$6.34
542	42		\$6.34



## **Tube and Pipe Clamps (Heavy Duty)**

HEAVY DUTY	MM O.D.	INCH	LIST PRICE/EA
108	8	5/16	\$6.96
110	10		\$6.96
112.7	12.7	1/2	\$6.96
113.5	13.5		\$6.96
116	16	5/8	\$6.96
117.2	17.2		\$6.96
219	19	3/4	\$8.02
221.3	21.3		\$8.02
222	22		\$8.02
225	25	1	\$8.02
226.9	26.9		\$8.02
332	32	1-1/4	\$9.30
333.7	33.7		\$9.30
338	38	1-1/2	\$9.30
342	42		\$9.30
438	38	1-1/2	\$15.48
442	42		\$15.48
448.3	48.3		\$15.48
451	51	2	\$15.48
457	57		\$15.48
460.3	60.3	2-1/4	\$15.48
463	63	2-1/2	\$15.48
470	70		\$15.48
570	70		\$44.88
573	73		\$44.88
576.1	76.1	3	\$44.88
582.5	82.5	3-1/4	\$44.88
588.9	88.9	3-1/2	\$44.88
6101.6	101.6	4	\$123.56
6108	108	4-1/4	\$123.56
6114.3	114.3	4-1/2	\$123.56
7159	159	6-1/2	\$205.70



## Center Punch Clamps SS & Steel



**Width: 5/8" (3/8" on F3(FS-3) and F311(FS-3))**

**Thickness: .022" (.020 on F3(FS-3) and F11(FS-11))**

**For the SS Clamps** Band is 300 series stainless steel

Buckle is 302 series stainless steel

FS Series= Stainless Steel F Series= Steel

Center Punch tool required for assembly

- SS prices subject to change based off SS surcharge

ITEM # F OR FS	ITEM NAME	(F) STEEL	(FS) STAINLESS STEEL
3	13/16" (100/Box)	\$49.30	\$79.90
311	13/16" (100/Box)	\$56.10	\$88.40
4	1" (100/Box)	\$57.80	\$102.00
5	1-1/4" (100/Box)	\$59.50	\$107.10
6	1-1/2" (100/Box)	\$66.30	\$115.60
7	1-3/4" (100/Box)	\$69.70	\$124.10
8	2" (100/Box)	\$74.80	\$130.90
9	2-1/4" (100/Box)	\$76.50	\$139.40
10	2-1/2" (50/Box)	\$45.05	\$74.80
11	2-3/4" (50/Box)	\$46.75	\$79.05
12	3" (50/Box)	\$50.15	\$84.15
14	3-1/2" (50/Box)	\$54.40	\$92.65
16	4" (25/Box)	\$30.18	\$52.28
18	4-1/2" (25/Box)	\$33.15	\$56.53
20	5" (25/Box)	\$34.00	\$61.63
32	8" (25/Box)	\$51.43	\$86.28



## **Sanitary Clamps**



- **Specification:** DN20-DN200 ½"-12"
- **Standard:** DIN, 3A, SMS
- **Material:** 304
- **Applications:** Pharmacy, beer, food, petroleum, dairy beverage, cosmetics

ITEM #	ITEM NAME	LIST PRICE/EA
KL-1.5"	Sanitary Clamps 1.5"	\$8.09
KL-2"	Sanitary Clamps 2"	\$18.90
KL-2.5"	Sanitary Clamps 2.5"	\$18.90
KL-3"	Sanitary Clamps 3"	\$18.90
KL-4"	Sanitary Clamps 4"	\$23.78
KL-6"	Sanitary Clamps 6"	\$47.55
KL-8"	Sanitary Clamps 8"	\$111.44





## **Hydraulic Quick Disconnects**



Hydraulic quick disconnect plugs and couplers for agriculture, skid loaders and general hydraulic applications.

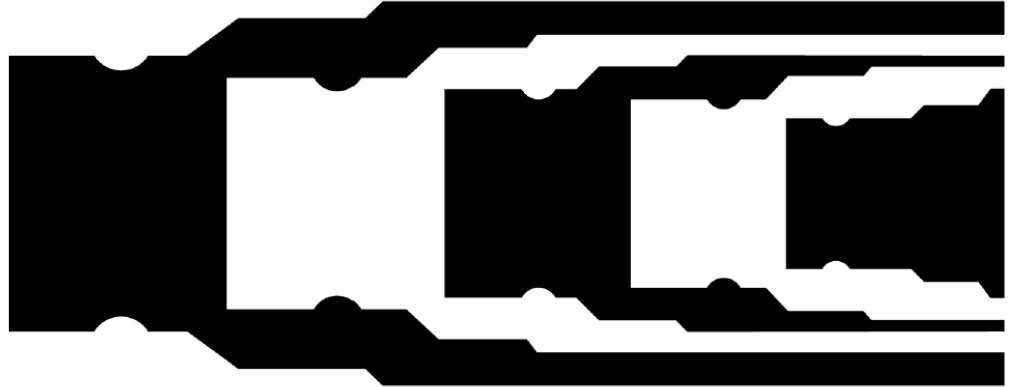
### **Several styles available, including:**

- ISO 7241-1 Series A Hydraulic
- ISO 7241-1 Series B Hydraulic
- ISO 16028 Flush Face/Skid Steer Couplings
  - ISO 5675 Agricultural
  - Wet-Line Couplings (Wing Nut)
  - Straight Through (No Valves)

## Hydraulic Quick Couplers

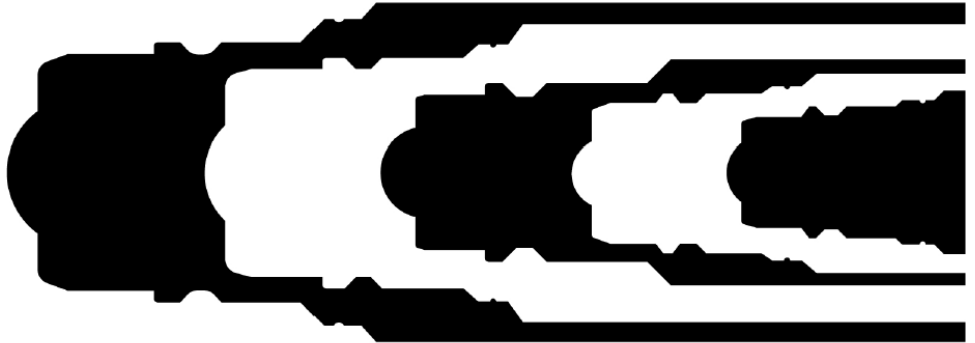
### ISO 16028 HT Series Flush-Face

- Interchanges with:
- Faster FFI Series
  - Holmbury A Series
  - Parker FEM Series
  - Snap-Tite 74 Series



### ISO 5675 AG Series Agricultural

- Interchanges with:
- Faster NS Series
  - Parker/Pioneer 4000 Series
  - Safeway S20 Series
  - Tomco PC Series



### ISO 7241-1 Series A 600 Series Hydraulic

- Interchanges with:
- Aeroquip FD56 (5600) Series
  - Faster ANV Series
  - Hansen HA15000 Series
  - Parker 6600 Series
  - Safeway S56 Series



### ISO 7241-1 Series B 700 Series Hydraulic

- Interchanges with:
- Aeroquip FD45 Series
  - Faster HNV Series
  - Hansen HK Series
  - Parker 60 Series
  - Snap-Tite 72 Series





## Hydraulic Quick Disconnects

### ISO A 7241 Set



#### Interchanges with:

- Parker 6600 Series
- Snap-Tite 61 Series
- Aeroquip 5600 Series

**Applications:** Construction and forestry equipment, agricultural machinery, oil tools, steel mill machinery and other demanding hydraulic applications.

ITEM #	ITEM NAME	LIST PRICE/EA
ISOASET-1/4	ISO A 7241 Set -1/4"	\$11.20
ISOASET-3/8	ISO A 7241 Set -3/8"	\$12.35
ISOASET-1/2	ISO A 7241 Set -1/2"	\$13.00
ISOASET-3/4	ISO A 7241 Set -3/4"	\$40.62
ISOASET-1	ISO A 7241 Set -1"	\$59.28



## Hydraulic Quick Disconnects

### ISO B 7241 Set



#### Interchanges with:

- Parker 60 Series
- Snap-Tite 72 Series
- Aeroquip FD45 Series

**Applications:** Construction and forestry equipment, agricultural machinery, oil tools, steel mail machinery and other demanding hydraulic applications.

ITEM #	ITEM NAME	LIST PRICE/EA
ISOBSET-1/4	ISO B 7241 Set -1/4"	\$9.49
ISOBSET-1/4-BR	ISO B 7241 Set-1/4" Brass	\$11.73
ISOBSET-3/8	ISO B 7241 Set -3/8"	\$12.69
ISOBSET-1/2	ISO B 7241 Set -1/2"	\$16.20
ISOBSET-3/4	ISO B 7241 Set -3/4"	\$27.27
ISOBSET-1	ISO B 7241 Set -1"	\$59.02



## Hydraulic Quick Disconnects

### Flush Face/Skid Steer Set ISO 16028



#### Interchanges with:

- Faster FF Series
- Parker FEM Series
- Holmbury Series A

**Applications:** Recommended for skid steer loaders and other applications where you need to reduce leaks and spills.

ITEM #	ITEM NAME	LIST PRICE/EA
FFSET-1/4	<010>Flush Face Set- Skid Steer Set-1/4"	\$22.00
FFSET-3/8	Flush Face Set- Skid Steer Set-3/8"	\$29.40
FFSET-1/2	Flush Face Set- Skid Steer Set-1/2"	\$43.20
FF SET-1/2# 10 ORB	Flush Face Set- Skid Steer Set-1/2" 10 ORB	\$43.20
FF SET-1/2# 12 ORB	Flush Face Set- Skid Steer Set-1/2" 12 ORB	\$51.84
FFSET-3/4	Flush Face Set- Skid Steer Set-3/4"	\$76.02
FFSET-1	Flush Face Set- Skid Steer Set-1"	\$98.80



## Hydraulic Quick Disconnects ISO 5675 Agricultural Coupler Set



### Interchanges with:

- Tomco PC Series
- Faster NS Series
- Parker 4000 Series
- Safeway S20 Series

**Applications:** Recommended for use with farm implements, construction equipment, and most other mobile equipment.

Ball Type, also known as the agricultural interchange, is known as the most popular coupling design worldwide on AG applications.

ITEM #	ITEM NAME	LIST PRICE/EA
AGSET-1/4	ISO 5675 Coupler Set-1/4"	\$11.27
AGSET-3/8	ISO 5675 Coupler Set-3/8"	\$15.20
AGSET-1/2	ISO 5675 Coupler Set-1/2"	\$15.98
AGSET-3/4	ISO 5675 Coupler Set-3/4"	\$29.81
AGSET-1	ISO 5675 Coupler Set-1"	\$36.80



## **Hydraulic Quick Disconnects** **Wet-Line Coupling Set**



### **Interchanges with:**

- Dixon W Series
- Faster FB Series
- Hanson 96 Series
- Parker 6100 Series
- Safeway S51 Series
- Snap-Tite 78 Series
- Aeroquip/Eaton 5100 Series

**Applications:** This Series coupling is a heavy-duty wing nut coupling designed for use in hydraulic lines where dry break and minimum air inclusion are required. It is ideal for hydraulic dump trucks, oil field equipment, sand and salt spreading equipment, dump and demolition trailers, live bed trailers and other heavy duty applications requiring the ability to connect or disconnect under pressure.

ITEM #	ITEM NAME	LIST PRICE/EA
WLSET-1-2	Wet Line Set- 3/4" Body X 1/2" Female NPT	<b>\$83.06</b>
WLSET-3-4	Wet Line Set- 3/4" Body X 3/4" Female NPT	<b>\$96.02</b>
WLSET-1	Wet Line Set- 1" Body X 1" Female NPT	<b>\$97.18</b>
WLSET-1-1/4	Wet Line Set- 1-1/4" Body X 1-1/4" Female	<b>\$163.48</b>
WLSET-1-1/2	Wet Line Set- 1-1/2" Body X 1-1/2" Female	<b>\$196.81</b>



## Hydraulic Quick Disconnects

### ISO A CAPS AND PLUGS



### ISO B CAPS AND PLUGS



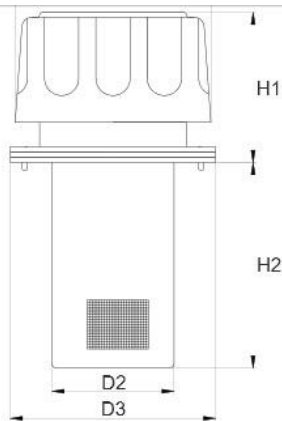
CAP NO:	SIZE	LIST PRICE/EA		CAP NO:	SIZE	LIST PRICE/EA
CZE-1/4	1/4"	\$0.63		CZB-1/4	1/4"	\$0.63
CZE-3/8	3/8"	\$0.93		CZB-3/8	3/8"	\$0.93
CZE-1/2	1/2"	\$1.53		CZB-1/2	1/2"	\$1.53
CZE-3/4	3/4"	\$2.70		CZB-3/4	3/4"	\$2.70
CZE-1	1"	\$3.09		CZB-1	1"	\$3.09

PLUG NO:	SIZE	LIST PRICE/EA		PLUG NO:	SIZE	LIST PRICE/EA
PZE-1/4	1/4"	\$0.78		PZB-1/4	1/4"	\$0.78
PZE-3/8	3/8"	\$1.14		PZB-3/8	3/8"	\$1.14
PZE-1/2	1/2"	\$1.53		PZB-1/2	1/2"	\$1.53
PZE-3/4	3/4"	\$2.70		PZB-3/4	3/4"	\$2.70
PZE-1	1"	\$3.09		PZB-1	1"	\$3.09

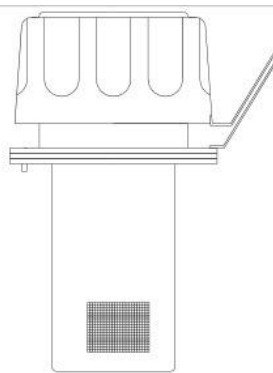




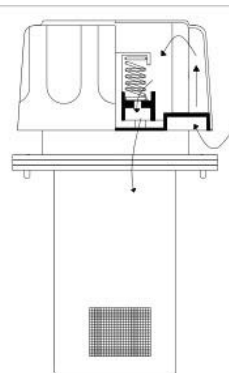
## Filler Breather



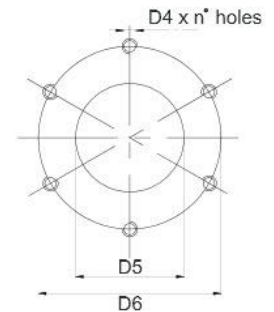
**DIMENSIONS**



**OPTION 'L'**  
Padlock holder version



**OPTION 'P'**  
Pressurization valve (0.35 bar)



**MOUNTING HOLES**

### HYDRAULIC ACCESSORIES

Part No.	Filtr. $\mu$	Flow rate (l/min)	D1	D2	D3	D4	holes n°	D5	D6	H1	H2
FBA5F40	40	150	47	29	52	M5	3	31	41	48	64
FBA5F10	10	300	47	29	52	M5	3	31	41	48	64
FBA25F40	40	450	80	50	83	M5	6	52	73	57	78
FBA25F10	10	750	80	50	83	M5	6	52	73	57	78
FBA25F40L148	40	450	80	50	83	M5	6	52	73	57	148
FBA25F10L148	10	750	80	50	83	M5	6	52	73	57	148
FBA25F40L100	40	450	80	40	83	M5	6	52	73	57	100
FBA25F10L100	10	750	80	40	83	M5	6	52	73	57	100

All dimensions are in mm or otherwise stated

**Technical Data:**

Cap: Chrome Plated Steel  
Lock and Chains: Galvanized Steel  
Pressure Valve: On request  
Working Temp: -25 Deg C 110 Deg C  
Seals: Rubberized Cork

**Filtration:**

Basket: Powder Coated Steel  
Filtration: 40 Microns Foam  
Cellulose Media: On request

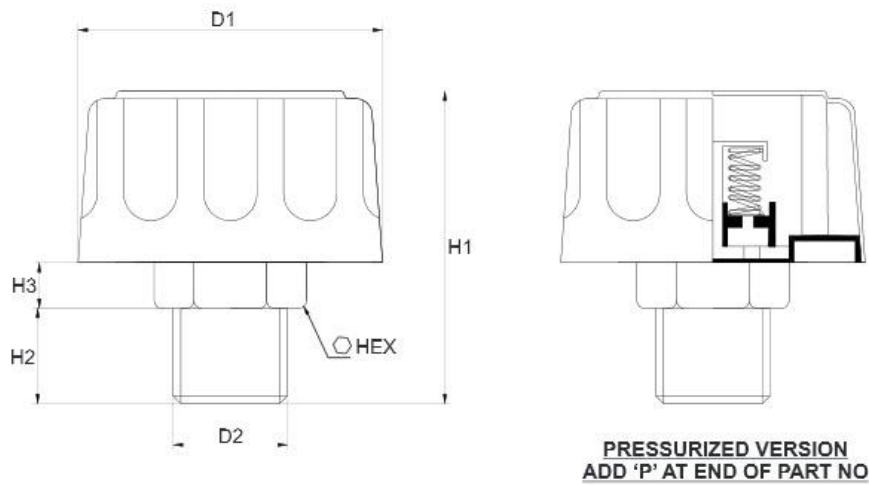
**Air Flow Rates:**

SCFM – 25CFM

ITEM #	ITEM NAME	PRICE
FBA-25C	Filler Breather-Cap and Chain-No Bracket	\$6.53
FBA-25F40	Filler Breather-Cap and Chain with 3" Basket	\$10.40
FBA-25148-40	Filler Breather-Cap and Chain with 6" Basket	\$11.22



## Air Breather



HYDRAULIC ACCESSORIES										
Part No.	Filtr. $\mu$	Flow rate (l/min)	D1	D2	HEX	H1	H2	H3	kg	Spare element
BH 6N	10	150	47	1/4" NPT	19	45	12	7	-	-
BH 8N	10	300	47	3/8" NPT	19	45	12	7	-	-
BH 10N	10	450	76	1/2" NPT	35	66	12	7	-	-
BH 12 N	10	750	76	3/4" NPT	35	66	16	7	-	-
BH 16N	10	850	76	1" NPT	38	66	16	7	-	-

**Technical Data:**

Cap: Chrome Plated Steel  
Lock and Chains: Galvanized Steel  
Pressure Valve: On request  
Working Temp: -25 Deg C 110 Deg C  
Seals: Nitrille (Buna N)

**Filtration:**

Filtration: 40 Microns Foam  
Cellulose Media: On request

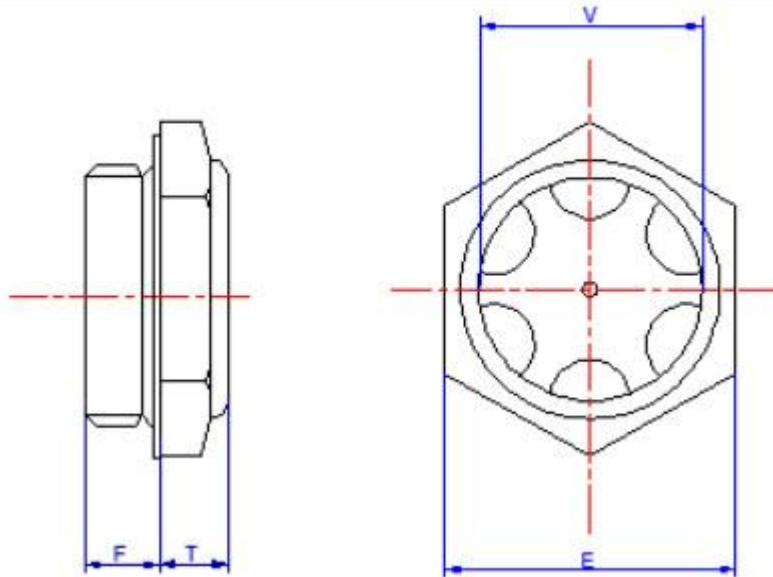
**Air Flow Rates:**

SCFM – 25CFM

ITEM #	ITEM NAME	PRICE
BH-6N	Air Breather-1/4" NPT and 40 Micron	\$4.69
BH-8N	Air Breather-3/8" NPT and 40 Micron	\$4.86
BH-10N	Air Breather-1/2" NPT and 40 Micron	\$5.22
BH-12N	Air Breather-3/4" NPT and 40 Micron	\$7.40
BH-13N	Air Breather-1" NPT and 40 Micron	\$8.94



## **Oil Level Indicators**



THREADS	f	t	v	e
1/4"	8	7	10	17
3/8"	9	7	13	22
1/2"	10	9	16	27
3/4"	11	9	21	32
1"	14	10	27	40
1.1/4"	15	10	37	50
1.1/2"	15	10	40	55
2"	17	14	50	70

## Technical Data:

M.O.C. Extruded Aluminum  
 Glass/Polycarbonate  
 Reflector: Anodized Aluminum  
 Seals: NBR  
 Max Pressure

Stock Sizes: NPT and SAE

ITEM #	ITEM NAME	PRICE
FKA-14N	Oil Level Indicators-Site Glass-1/4" NPT	\$3.06
FKA-38N	Oil Level Indicators-Site Glass-3/8" NPT	\$3.57
FKA-12S	Oil Level Indicators-Site Glass-8 SAE	\$4.08
FKA-12N	Oil Level Indicators-Site Glass-1/2" NPT	\$4.08
FKA-34N	Oil Level Indicators-Site Glass-3/4" NPT	\$5.61
FKA-34S	Oil Level Indicators-Site Glass-12 SAE	\$5.61
FKA-10N	Oil Level Indicators-Site Glass-1" NPT	\$6.55
FKA-114N	Oil Level Indicators-Site Glass-1-1/4" NPT	\$11.63
FKA-112N	Oil Level Indicators-Site Glass-1-1/2" NPT	\$16.83
FKA-20N	Oil Level Indicators-Site Glass-2" NPT	\$26.42

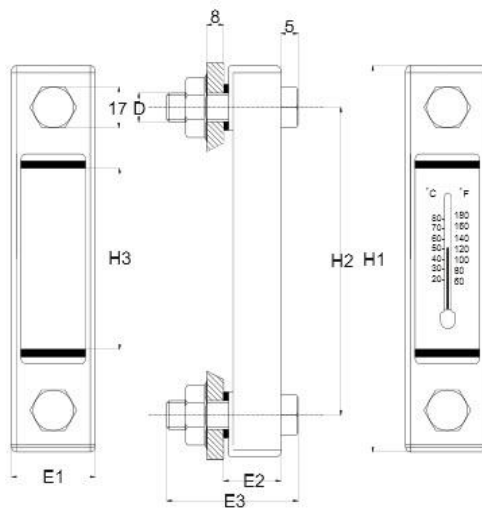


## Level Gauge



**STOCK SIZES :**

3", 5" & 10" C to C..



HYDRAULIC ACCESSORIES							
Part No.	H1	H2	H3	D	E1	E2	E3
FLP3	108	76	32	M10	35	24	50
FLP3T	108	76	32	M10	35	24	50
FLP5	160	127	78	M12	35	24	50
FLP5T	160	127	78	M12	35	24	50
FLP10	286	254	202	M12	35	24	50
FLP10T	286	254	202	M12	35	24	50

All dimensions are in mm or otherwise stated

**Technical Data:**

Cover: Powder Coated Steel  
Tube: Transparent Poly Carbonate  
Bolt and Nuts: Galvanized Steel  
Working Temp: -25 to +100 C  
Max Tightening Torque: 10Nm  
Seals: Nitrile(Buna N)

Stock Sizes: 3,5 and 10" Center to Center

ITEM #	ITEM NAME	PRICE
FLP-3	Level Gauge -3"	\$7.14
FLP-5	Level Gauge- 5"	\$9.52
FLP-10	Level Gauge- 10"	\$13.26





## **Protective Hose Sleeving**



### **Standard Sleeve Features and Benefits:**

- Multiple round ID width available
- Meets ISO 6945 abrasion standards
- Extremely durable and flexible nylon
- Guaranteed to fit your specific application
- Provides limits burst and containment protection
- Protects against physical abrasion, damage and deterioration

### **Protective Sleeving Product Highlights:**

- Colors: Black
- UV Protected
- MSHA IC 171/1
- Rolled / Printed
- Solution Dyed Nylon
- Round ID: 0.71" – 5.76"
- Inside Width: 1.00" - 9,125"

### **Applications:**

- Protects hose from abrasion and degradation
- Allows bundling of hose, cable, rope, chain, wire and etc.
- Offers limited protection from the effects of hose bursting and pinhole occurrences

## Properties and Specifications:

Abrasion	Meets or exceeds ISO6985 abrasion standard
Fire	WoxTex is approved by MSHA for use in underground mines, IC17/1
Color	Standard is Black
Melting Point	374 - 410 F (210 - 220 C)
Material	Polyamide 6
Dimensional Stability	Great resistance to sun, atmospheric agents and aging
Toxicity	non-toxic

## Chemical Compatibility:

Gasoline	Very good	Benzene	Very good
Oil	Very good	Acetone	Very good
Mineral and vegetable oil	Very good	Ether	Very good
Alcohols	Very good	Carbone tetrachloride	Very good
Diluted bases	Very good	Chlorine based solvents	Very good
Diluted acids	Good	Mildew and bacteria growth	Resists

PART NUMBER	FLAT WIDTH	ID	LIST PRICE/FT
GMIS-17	1.187"	.71"	\$0.68
GMIS-20	1.25"	.82"	\$0.73
GMIS-23	1.50"	.92"	\$0.76
GMIS-25	1.65"	1.00"	\$0.81
GMIS-27	1.875"	1.13"	\$0.87
GMIS-31	2.03"	1.25"	\$0.94
GMIS-35	2.187"	1.33"	\$1.00
GMIS-36	2.50"	1.42"	\$1.09
GMIS-40	2.56"	1.58"	\$1.13
GMIS-44	2.81"	1.78"	\$1.19
GMIS-47	3.00"	1.91"	\$1.41
GMIS-55	3.31"	2.06"	\$1.66
GMIS-60	3.625"	2.18"	\$1.88
GMIS-66	4.25"	2.65"	\$2.12
GMIS-73	4.56"	2.86"	\$2.33
GMIS-93	5.81"	3.65"	\$2.82



## **Mini Ball Valves (ANSI)**



**NPTF (ANSI) Male x NPTF (ANSI) Female**

**&**

**NPTF (ANSI) Female x NPTF (ANSI) Female**

**Maximum working pressure: 235 PSI  
(will handle 300 PSI @ 75° F)**

- Solid Chrome plated brass ball
- Longer body style for longer and deeper thread connections
- One piece drawn sand blasted nickel plated body
- Double seal system allows valve to operate in both directions
- Blowout-proof brass stem
- Temperature range: 32° F to 176° F



## **Mini Ball Valves (ANSI)**



### **Male X Female**

SIZE	LIST PRICE/EA
1/8"	\$4.00
1/4"	\$4.00
3/8"	\$3.92
1/2"	\$6.20

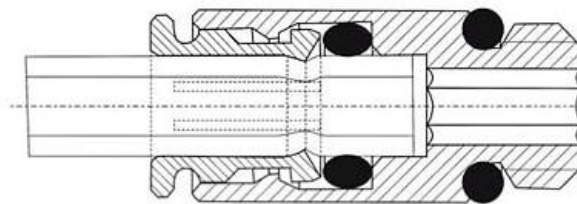


### **Female X Female**

SIZE	LIST PRICE/EA
1/8"	\$4.48
1/4"	\$4.48
3/8"	\$4.16
1/2"	\$6.20



## **Nickel Plated Brass Push to Connect**



**Material (Body and Collet): Nickel-Plated Brass**

**O-ring: NBR**

**Pressure: 235PSI**

**Temperature: 14F-140F**



PART NUMBER	TUBE	THREAD	LIST PRICE/EA
MPC	1/8	10/32	\$1.97
	1/8	1/8	\$2.07
	1/8	1/4	\$2.11
	5/32	10/32	\$2.01
	5/32	1/8	\$1.90
	5/32	1/4	\$2.34
	3/16	10/32	\$2.34
	3/16	1/4	\$2.44
	3/16	1/4	\$2.50
	1/4	1/8	\$2.13
	1/4	1/4	\$2.34
	1/4	3/8	\$2.56
	1/4	1/8	\$2.13
	5/16	1/4	\$2.52
	5/16	3/8	\$3.26
	5/16	1/8	\$2.41
	3/8	1/4	\$3.36
	3/8	3/8	\$3.54
	3/8	1/2	\$4.86
	1/2	1/4	\$4.64
	1/2	3/8	\$5.39
	1/2	1/2	\$5.63



PART NUMBER	TUBE	THREAD	LIST PRICE/EA
MPCF	1/8	10/32	\$2.44
	1/8	1/8	\$2.44
	1/8	1/4	\$2.50
	5/32	10/32	\$3.50
	5/32	1/8	\$3.67
	5/32	1/4	\$3.67
	3/16	10/32	\$3.33
	3/16	1/4	\$3.33
	3/16	1/4	\$3.33
	1/4	1/8	\$3.67
	1/4	1/4	\$4.19
	1/4	3/8	\$4.20
	1/4	1/8	\$3.67
	5/16	1/4	\$4.42
	5/16	3/8	\$4.44
	5/16	1/8	\$4.19
	3/8	1/4	\$5.70
	3/8	3/8	\$7.08
	3/8	1/2	\$7.11
	1/2	1/4	\$7.11
	1/2	3/8	\$7.11
	1/2	1/2	\$7.11

**Male Stud Swivel Elbow**

MPL



PART NUMBER	TUBE	THREAD	LIST PRICE/EA
MPL	1/8	10/32	\$4.53
	1/8	1/8	\$3.27
	1/8	1/4	\$3.32
	5/32	10/32	\$3.83
	5/32	1/8	\$3.16
	5/32	1/4	\$3.87
	3/16	10/32	\$3.88
	3/16	1/8	\$3.88
	3/16	1/4	\$4.00
	1/4	10/32	\$2.84
	1/4	1/8	\$3.64
	1/4	1/4	\$3.96
	1/4	3/8	\$4.09
	5/16	1/8	\$4.09
	5/16	1/4	\$4.26
	5/16	3/8	\$5.41
	3/8	1/4	\$6.07
	3/8	3/8	\$6.48
	3/8	1/2	\$6.54
	1/2	1/4	\$7.34
	1/2	3/8	\$7.66
	1/2	1/2	\$8.42

**Male Stud Elbow**

MPLN



PART NUMBER	TUBE	THREAD	LIST PRICE/EA
MPLN	1/8	10/32	\$4.53
	1/8	1/8	\$3.27
	1/8	1/4	\$3.32
	5/32	10/32	\$3.83
	5/32	1/8	\$3.16
	5/32	1/4	\$3.87
	3/16	10/32	\$3.88
	3/16	1/8	\$3.88
	3/16	1/4	\$4.00
	1/4	10/32	\$2.84
	1/4	1/8	\$3.64
	1/4	1/4	\$3.96
	1/4	3/8	\$4.09
	5/16	1/8	\$4.09
	5/16	1/4	\$4.26
	5/16	3/8	\$5.41
	3/8	1/4	\$6.07
	3/8	3/8	\$6.48
	3/8	1/2	\$6.54
	1/2	1/4	\$7.34
	1/2	3/8	\$7.66
	1/2	1/2	\$8.42

Female Stud Elbow

MPLF



PART NUMBER	TUBE	THREAD	LIST PRICE/EA
MPLF	1/8	10/32	\$3.67
	1/8	1/8	\$3.67
	1/8	1/4	\$3.68
	5/32	10/32	\$3.69
	5/32	1/8	\$3.69
	5/32	1/4	\$3.82
	3/16	10/32	\$3.82
	3/16	1/8	\$3.90
	3/16	1/4	\$3.90
	1/4	10/32	\$3.90
	1/4	1/8	\$3.91
	1/4	1/4	\$4.54
	1/4	3/8	\$4.54
	5/16	1/8	\$4.21
	5/16	1/4	\$4.79
	5/16	3/8	\$5.18
	3/8	1/4	\$5.97
	3/8	3/8	\$7.38
	3/8	1/2	\$7.38
	1/2	1/4	\$7.78
	1/2	3/8	\$7.78
	1/2	1/2	\$7.78

Male Stud Branch Tee

MPT



PART NUMBER	TUBE	THREAD	LIST PRICE/EA
MPT	1/8	10/32	\$5.32
	1/8	1/8	\$5.34
	1/8	1/4	\$4.66
	5/32	10/32	\$4.52
	5/32	1/8	\$4.52
	5/32	1/4	\$4.81
	3/16	10/32	\$4.78
	3/16	1/8	\$4.78
	3/16	1/4	\$4.83
	1/4	10/32	\$4.44
	1/4	1/8	\$4.62
	1/4	1/4	\$4.91
	1/4	3/8	\$5.00
	5/16	1/8	\$5.10
	5/16	1/4	\$5.40
	5/16	3/8	\$5.56
	3/8	1/4	\$7.51
	3/8	3/8	\$7.88
	3/8	1/2	\$7.94
	1/2	1/4	\$8.87
	1/2	3/8	\$9.58
	1/2	1/2	\$10.71





PART NUMBER	TUBE	THREAD	LIST PRICE/EA
MPD	1/8	10/32	\$5.28
	1/8	1/8	\$5.34
	1/8	1/4	\$4.66
	5/32	10/32	\$4.52
	5/32	1/8	\$4.52
	5/32	1/4	\$4.81
	3/16	10/32	\$4.89
	3/16	1/8	\$4.89
	3/16	1/4	\$4.91
	1/4	10/32	\$4.54
	1/4	1/8	\$4.62
	1/4	1/4	\$4.91
	1/4	3/8	\$4.94
	5/16	1/8	\$5.10
	5/16	1/4	\$5.40
	5/16	3/8	\$5.56
	3/8	1/4	\$7.51
	3/8	3/8	\$7.88
	3/8	1/2	\$8.06
	1/2	1/4	\$8.76
	1/2	3/8	\$9.58
	1/2	1/2	\$10.71



PART NUMBER	TUBE	THREAD	LIST PRICE/EA
MPX	1/8	10/32	\$6.00
	1/8	1/8	\$6.01
	1/8	1/4	\$6.04
	5/32	10/32	\$6.67
	5/32	1/8	\$6.68
	5/32	1/4	\$6.71
	3/16	10/32	\$6.77
	3/16	1/8	\$6.78
	3/16	1/4	\$6.88
	1/4	10/32	\$6.78
	1/4	1/8	\$6.89
	1/4	1/4	\$6.93
	1/4	3/8	\$7.07
	5/16	1/8	\$7.79
	5/16	1/4	\$8.12
	5/16	3/8	\$8.18
	3/8	1/4	\$8.89
	3/8	3/8	\$8.96
	3/8	1/2	\$9.46
	1/2	1/4	\$10.00
	1/2	3/8	\$10.04
	1/2	1/2	\$10.61

Single Male Banjo

MPH



PART NUMBER	TUBE	THREAD	LIST PRICE/EA
MPH	1/8	10/32	\$4.84
	1/8	1/8	\$4.88
	1/8	1/4	\$5.00
	5/32	10/32	\$5.13
	5/32	1/8	\$5.27
	5/32	1/4	\$5.38
	3/16	10/32	\$5.32
	3/16	1/8	\$5.42
	3/16	1/4	\$5.51
	1/4	10/32	\$5.09
	1/4	1/8	\$5.36
	1/4	1/4	\$5.88
	1/4	3/8	\$5.88
	5/16	1/8	\$5.58
	5/16	1/4	\$2.89
	5/16	3/8	\$8.41
	3/8	1/4	\$7.04
	3/8	3/8	\$8.62
	3/8	1/2	\$8.66
	1/2	1/4	\$8.96
	1/2	3/8	\$9.12
	1/2	1/2	\$9.29

Female Banjo

MPHF



PART NUMBER	TUBE	THREAD	LIST PRICE/EA
MPHF	1/8	10/32	\$4.84
	1/8	1/8	\$4.88
	1/8	1/4	\$5.00
	5/32	10/32	\$5.13
	5/32	1/8	\$25.27
	5/32	1/4	\$5.38
	3/16	10/32	\$5.32
	3/16	1/8	\$5.42
	3/16	1/4	\$5.51
	1/4	10/32	\$5.09
	1/4	1/8	\$5.36
	1/4	1/4	\$5.88
	1/4	3/8	\$5.88
	5/16	1/8	\$5.58
	5/16	1/4	\$2.89
	5/16	3/8	\$8.41
	3/8	1/4	\$7.04
	3/8	3/8	\$8.62
	3/8	1/2	\$8.66
	1/2	1/4	\$8.96
	1/2	3/8	\$9.12
	1/2	1/2	\$9.29

**Bulkhead Straight**  
MPMF



PART NUMBER	TUBE	THREAD	LIST PRICE/EA
MPMF	1/8	10/32	\$4.90
	1/8	1/8	\$4.93
	1/8	1/4	\$4.94
	5/32	10/32	\$5.01
	5/32	1/8	\$5.10
	5/32	1/4	\$5.13
	3/16	10/32	\$5.16
	3/16	1/8	\$5.20
	3/16	1/4	\$5.23
	1/4	10/32	\$5.29
	1/4	1/8	\$5.32
	1/4	1/4	\$5.37
	1/4	3/8	\$5.48
	5/16	1/8	\$5.64
	5/16	1/4	\$5.84
	5/16	3/8	\$5.99
	3/8	1/4	\$6.56
	3/8	3/8	\$7.44
	3/8	1/2	\$7.77
	1/2	1/4	\$7.83
	1/2	3/8	\$8.36
	1/2	1/2	\$8.93

**Union Elbow**

MPUL



PART NUMBER	TUBE	LIST PRICE/EA
MPUL	1/8	\$3.28
	5/32	\$3.17
	3/16	\$3.32
	1/4	\$3.34
	5/16	\$3.71
	3/8	\$5.21
	1/2	\$6.12

**Union Straight**

MPUC



PART NUMBER	TUBE	LIST PRICE/EA
MPUC	1/8	\$3.09
	5/32	\$3.01
	3/16	\$3.20
	1/4	\$3.27
	5/16	\$3.68
	3/8	\$4.24
	1/2	\$5.93

**Union Tee****MPUT**

PART NUMBER	TUBE	LIST PRICE/EA
<b>MPUT</b>	<b>1/8</b>	<b>\$4.22</b>
	<b>5/32</b>	<b>\$4.19</b>
	<b>3/16</b>	<b>\$4.28</b>
	<b>1/4</b>	<b>\$4.42</b>
	<b>5/16</b>	<b>\$5.14</b>
	<b>3/8</b>	<b>\$6.78</b>
	<b>1/2</b>	<b>\$8.88</b>

**Union Y****MPY**

PART NUMBER	TUBE	LIST PRICE/EA
<b>MPY</b>	<b>1/8</b>	<b>\$6.04</b>
	<b>5/32</b>	<b>\$6.72</b>
	<b>3/16</b>	<b>\$6.83</b>
	<b>1/4</b>	<b>\$6.97</b>
	<b>5/16</b>	<b>\$8.21</b>
	<b>3/8</b>	<b>\$8.44</b>
	<b>1/2</b>	<b>\$9.00</b>

**Bulkhead Union****MPM**

PART NUMBER	TUBE	LIST PRICE/EA
<b>MPM</b>	<b>1/8</b>	<b>\$4.93</b>
	<b>5/32</b>	<b>\$5.10</b>
	<b>3/16</b>	<b>\$5.27</b>
	<b>1/4</b>	<b>\$5.37</b>
	<b>5/16</b>	<b>\$5.64</b>
	<b>3/8</b>	<b>\$7.44</b>
	<b>1/2</b>	<b>\$8.93</b>

**Union Cross****MPZA**

PART NUMBER	TUBE	LIST PRICE/EA
<b>MPZA</b>	<b>1/8</b>	<b>\$6.11</b>
	<b>5/32</b>	<b>\$7.00</b>
	<b>3/16</b>	<b>\$7.10</b>
	<b>1/4</b>	<b>\$7.22</b>
	<b>5/16</b>	<b>\$8.56</b>
	<b>3/8</b>	<b>\$8.78</b>
	<b>1/2</b>	<b>\$9.11</b>



PART NUMBER	TUBE	LIST PRICE/EA
MPLJ	1/8	\$2.18
	5/32	\$2.18
	3/16	\$2.44
	1/4	\$2.58
	5/16	\$2.80
	3/8	\$4.00
	1/2	\$5.33



PART NUMBER	TUBE	LIST PRICE/EA
MPP	1/8	\$0.89
	5/32	\$0.89
	3/16	\$0.98
	1/4	\$1.09
	5/16	\$1.27
	3/8	\$1.64
	1/2	\$2.08



PART NUMBER	TUBE	TUBE	LIST PRICE/EA
MPG	1/4	1/8	\$2.44
	1/4	5/32	\$2.71
	3/8	1/4	\$3.29
	1/2	1/4	\$3.29
	1/2	3/8	\$4.27



PART NUMBER	TUBE	TUBE	LIST PRICE/EA
MPTG	1/4	1/8	\$3.73
	1/4	5/32	\$4.80
	3/8	1/4	\$5.91
	1/2	1/4	\$5.91
	1/2	3/8	\$6.58



PART NUMBER	TUBE	LIST PRICE/EA
MPPF	1/8	\$1.20
	5/32	\$1.20
	3/16	\$1.20
	1/4	\$1.42
	5/16	\$1.60
	3/8	\$2.13
	1/2	\$2.98



PART NUMBER	STEM	TUBE	LIST PRICE/EA
MPLGJ	1/4	5/32	\$2.58
	5/16	5/32	\$2.80
	5/16	1/4	\$2.80
	3/8	1/4	\$3.84
	3/8	5/16	\$3.84
	1/2	1/4	\$6.58



PART NUMBER	STEM	TUBE	LIST PRICE/EA
PGJ	1/4	5/32	\$2.73
	5/16	5/32	\$2.76
	5/16	1/4	\$2.77
	3/8	1/4	\$2.77
	3/8	5/16	\$2.98
	1/2	1/4	\$2.81

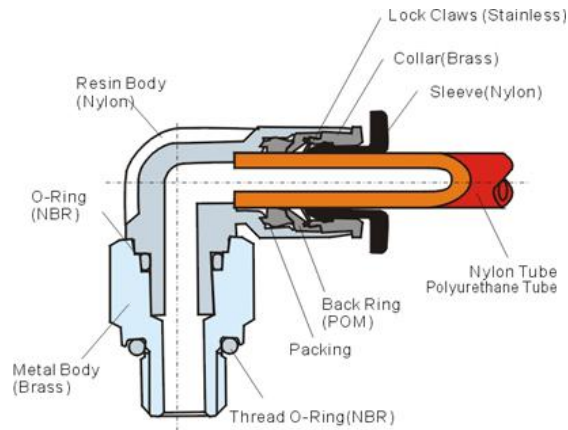


PART NUMBER	TUBE	TUBE	LIST PRICE/EA
MNSE	1/4	1/4	\$10.82



## Composite Push to Connect





- Fluid type: Air (no other type of gas or liquid)
- Working pressure range: 0-150PSI 0-9.9KGF/CM2(0-990KPA)
  - Negative pressure: -29.5 in Hg -750mm Hg(10 Torr)
    - Working temperature: 32-140°F 0-60°C
- Recommended tube material: Nylon and Polyurethane



PART NUMBER	TUBE	THREAD	LIST PRICE/EA
PC	1/8	10-32	\$0.79
	1/8	1/8	\$0.79
	1/8	1/4	\$0.79
	5/32	10-32	\$0.79
	5/32	1/8	\$0.79
	5/32	1/4	\$0.79
	3/16	10-32	\$0.79
	3/16	1/8	\$0.79
	3/16	1/4	\$0.79
	3/16	3/8	\$1.18
	1/4	10-32	\$0.79
	1/4	1/8	\$0.79
	1/4	1/4	\$0.79
	1/4	3/8	\$1.23
	5/16	1/8	\$0.79
	5/16	1/4	\$0.79
	5/16	3/8	\$1.18
	3/8	1/8	\$1.21
	3/8	1/4	\$1.21
	3/8	3/8	\$1.21
3/8	1/2	\$1.77	
1/2	1/4	\$1.77	
1/2	3/8	\$1.77	
1/2	1/2	\$1.77	





PART NUMBER	TUBE	THREAD	LIST PRICE/EA
PCF	1/8	1/8	\$0.91
	1/8	1/4	\$0.91
	5/32	1/8	\$0.91
	5/32	1/4	\$0.91
	3/16	1/8	\$0.91
	3/16	1/4	\$1.05
	3/16	3/8	\$1.25
	1/4	1/8	\$0.91
	1/4	1/4	\$1.05
	1/4	3/8	\$1.25
	5/16	1/8	\$1.05
	5/16	1/4	\$1.05
	5/16	3/8	\$1.25
	3/8	1/8	\$1.42
	3/8	1/4	\$1.42
	3/8	3/8	\$1.42
	3/8	1/2	\$2.16
	1/2	1/4	\$2.16
	1/2	3/8	\$2.16
	1/2	1/2	\$2.16



PART NUMBER	TUBE	THREAD	LIST PRICE/EA
PL	1/8	10-32	\$0.89
	1/8	1/8	\$0.89
	1/8	1/4	\$0.89
	5/32	10-32	\$0.89
	5/32	1/8	\$0.89
	5/32	1/4	\$0.89
	3/16	10-32	\$0.89
	3/16	1/8	\$0.89
	3/16	1/4	\$0.89
	3/16	3/8	\$1.13
	1/4	10-32	\$0.89
	1/4	1/8	\$0.89
	1/4	1/4	\$0.89
	1/4	3/8	\$1.13
	5/16	1/8	\$1.05
	5/16	1/4	\$1.05
	5/16	3/8	\$1.23
	3/8	1/8	\$1.23
	3/8	1/4	\$1.23
	3/8	3/8	\$1.32
	3/8	1/2	\$2.22
	1/2	1/4	\$2.22
	1/2	3/8	\$2.22



PART NUMBER	TUBE	THREAD	LIST PRICE/EA
PLF	1/8	1/8	\$1.08
	1/8	1/4	\$1.08
	5/32	1/8	\$1.08
	5/32	1/4	\$1.08
	3/16	1/8	\$1.08
	3/16	1/4	\$1.08
	3/16	3/8	\$1.32
	1/4	1/8	\$1.08
	1/4	1/4	\$1.08
	1/4	3/8	\$1.32
	5/16	1/8	\$1.23
	5/16	1/4	\$1.23
	5/16	3/8	\$1.45
	3/8	1/8	\$1.72
	3/8	1/4	\$1.72
	3/8	3/8	\$1.72
	3/8	1/2	\$2.61
	1/2	1/4	\$2.61
	1/2	3/8	\$2.61
	1/2	1/2	\$2.61



PART NUMBER	TUBE	THREAD	LIST PRICE/EA
PLL	1/8	10-32	\$1.08
	1/8	1/8	\$1.08
	1/8	1/4	\$1.08
	5/32	10-32	\$1.08
	5/32	1/8	\$1.08
	5/32	1/4	\$1.08
	3/16	10-32	\$1.08
	3/16	1/8	\$1.08
	3/16	1/4	\$1.08
	3/16	3/8	\$1.32
	1/4	10-32	\$1.08
	1/4	1/8	\$1.08
	1/4	1/4	\$1.08
	1/4	3/8	\$1.32
	5/16	1/8	\$1.23
	5/16	1/4	\$1.23
	5/16	3/8	\$1.45
	3/8	1/8	\$1.72
	3/8	1/4	\$1.72
	3/8	3/8	\$1.72
	3/8	1/2	\$2.61
	1/2	1/4	\$2.61
	1/2	3/8	\$2.61
	1/2	1/2	\$2.61



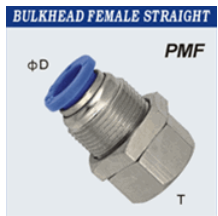
PART NUMBER	TUBE	THREAD	LIST PRICE/EA
PT	1/8	10-32	\$1.32
	1/8	1/8	\$1.32
	1/8	1/4	\$1.32
	5/32	10-32	\$1.32
	5/32	1/8	\$1.32
	5/32	1/4	\$1.53
	3/16	10-32	\$1.53
	3/16	1/8	\$1.53
	3/16	1/4	\$1.59
	3/16	3/8	\$1.82
	1/4	10-32	\$1.53
	1/4	1/8	\$1.53
	1/4	1/4	\$1.59
	1/4	3/8	\$1.82
	5/16	1/8	\$1.72
	5/16	1/4	\$1.72
	5/16	3/8	\$1.91
	3/8	1/8	\$1.82
	3/8	1/4	\$1.91
	3/8	3/8	\$2.03
3/8	1/2	\$2.65	
1/2	1/4	\$2.49	
1/2	3/8	\$2.49	
1/2	1/2	\$2.65	



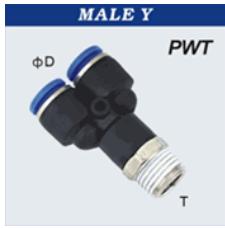
PART NUMBER	TUBE	THREAD	LIST PRICE/EA
PTF	1/8	1/8	\$1.32
	1/8	1/4	\$1.32
	5/32	1/8	\$1.32
	5/32	1/4	\$1.32
	3/16	1/8	\$1.53
	3/16	1/4	\$1.59
	3/16	3/8	\$1.82
	1/4	1/8	\$1.53
	1/4	1/4	\$1.59
	1/4	3/8	\$1.82
	5/16	1/8	\$1.72
	5/16	1/4	\$1.72
	5/16	3/8	\$1.91
	3/8	1/8	\$1.82
	3/8	1/4	\$1.91
	3/8	3/8	\$2.03
	3/8	1/2	\$2.65
	1/2	1/4	\$2.49
	1/2	3/8	\$2.49
	1/2	1/2	\$2.65



PART NUMBER	TUBE	THREAD	LIST PRICE/EA
PST	1/8	10-32	\$1.32
	1/8	1/8	\$1.32
	1/8	1/4	\$1.32
	5/32	10-32	\$1.32
	5/32	1/8	\$1.32
	5/32	1/4	\$1.53
	3/16	10-32	\$1.53
	3/16	1/8	\$1.53
	3/16	1/4	\$1.59
	3/16	3/8	\$1.82
	1/4	10-32	\$1.53
	1/4	1/8	\$1.53
	1/4	1/4	\$1.59
	1/4	3/8	\$1.82
	5/16	1/8	\$1.72
	5/16	1/4	\$1.72
	5/16	3/8	\$1.91
	3/8	1/8	\$1.82
	3/8	1/4	\$1.91
	3/8	3/8	\$2.03
	3/8	1/2	\$2.65
	1/2	1/4	\$2.49
	1/2	3/8	\$2.49
	1/2	1/2	\$2.65



PART NUMBER	TUBE	THREAD	LIST PRICE/EA
PMF	1/8	1/8	\$1.53
	1/8	1/4	\$1.53
	5/32	1/8	\$1.53
	5/32	1/4	\$1.53
	3/16	1/8	\$1.85
	3/16	1/4	\$2.09
	3/16	3/8	\$2.31
	1/4	1/8	\$1.85
	1/4	1/4	\$2.09
	1/4	3/8	\$2.31
	5/16	1/8	\$1.82
	5/16	1/4	\$2.09
	5/16	3/8	\$2.31
	3/8	1/8	\$2.09
	3/8	1/4	\$2.31
	3/8	3/8	\$2.49
	3/8	1/2	\$2.68
	1/2	1/4	\$2.49
	1/2	3/8	\$2.68
	1/2	1/2	\$2.89



PART NUMBER	TUBE	THREAD	LIST PRICE/EA
PWT	1/8	10-32	\$1.32
	1/8	1/8	\$1.32
	1/8	1/4	\$1.32
	5/32	10-32	\$1.32
	5/32	1/8	\$1.32
	5/32	1/4	\$1.53
	3/16	10-32	\$1.53
	3/16	1/8	\$1.53
	3/16	1/4	\$1.59
	3/16	3/8	\$1.82
	1/4	10-32	\$1.53
	1/4	1/8	\$1.53
	1/4	1/4	\$1.59
	1/4	3/8	\$1.82
	5/16	1/8	\$1.72
	5/16	1/4	\$1.72
	5/16	3/8	\$1.91
	3/8	1/8	\$1.82
	3/8	1/4	\$1.91
	3/8	3/8	\$2.03
3/8	1/2	\$2.65	
1/2	1/4	\$2.49	
1/2	3/8	\$2.49	
1/2	1/2	\$2.65	



PART NUMBER	TUBE	THREAD	LIST PRICE/EA
PLH	1/4	1/8	\$1.39
	1/4	1/4	\$1.42
	1/4	3/8	\$1.47
	5/16	1/8	\$1.72
	5/16	1/4	\$1.72
	5/16	3/8	\$1.72
	3/8	1/8	\$1.85
	3/8	1/4	\$1.86
	3/8	3/8	\$1.88
	3/8	1/2	\$3.32
	1/2	1/4	\$3.35
	1/2	3/8	\$3.37
	1/2	1/2	\$3.45



PART NUMBER	TUBE	THREAD	LIST PRICE/EA
PH	1/8	10-32	\$1.53
	1/8	1/8	\$1.53
	1/8	1/4	\$1.53
	5/32	10-32	\$1.53
	5/32	1/8	\$1.53
	5/32	1/4	\$1.53
	3/16	10-32	\$1.85
	3/16	1/8	\$1.85
	3/16	1/4	\$2.09
	3/16	3/8	\$2.31
	1/4	10-32	\$1.85
	1/4	1/8	\$1.85
	1/4	1/4	\$2.09
	1/4	3/8	\$2.31
	5/16	1/8	\$1.82
	5/16	1/4	\$2.09
	5/16	3/8	\$2.31
	3/8	1/8	\$2.09
	3/8	1/4	\$2.31
	3/8	3/8	\$2.49
	3/8	1/2	\$2.68
	1/2	1/4	\$2.49
	1/2	3/8	\$2.68
	1/2	1/2	\$2.89



PART NUMBER	TUBE	THREAD	LIST PRICE/EA
PHF	1/8	1/8	\$1.85
	1/8	1/4	\$1.85
	5/32	1/8	\$1.85
	5/32	1/4	\$1.85
	3/16	1/8	\$2.15
	3/16	1/4	\$2.28
	3/16	3/8	\$2.68
	1/4	1/8	\$1.96
	1/4	1/4	\$2.28
	1/4	3/8	\$2.68
	5/16	1/8	\$1.96
	5/16	1/4	\$2.28
	5/16	3/8	\$2.68
	3/8	1/8	\$2.68
	3/8	1/4	\$2.68
	3/8	3/8	\$2.84
	3/8	1/2	\$3.41
	1/2	1/4	\$2.84
	1/2	3/8	\$3.35
	1/2	1/2	\$3.91



PART NUMBER	TUBE	TUBE	LIST PRICE/EA
PUC	1/8	1/8	\$0.81
	5/32	5/32	\$0.81
	3/16	3/16	\$0.86
	1/4	1/4	\$0.86
	5/16	5/16	\$0.96
	3/8	3/8	\$1.13
	1/2	1/2	\$1.31



PART NUMBER	TUBE	TUBE	LIST PRICE/EA
PUL	1/8	1/8	\$0.81
	5/32	5/32	\$0.81
	3/16	3/16	\$0.86
	1/4	1/4	\$0.86
	5/16	5/16	\$0.96
	3/8	3/8	\$1.13
	1/2	1/2	\$1.32



PART NUMBER	TUBE	TUBE	LIST PRICE/EA
PUT	1/8	1/8	\$1.20
	5/32	5/32	\$1.20
	3/16	3/16	\$1.20
	1/4	1/4	\$1.20
	5/16	5/16	\$1.20
	3/8	3/8	\$1.45
	1/2	1/2	\$1.75



PART NUMBER	TUBE	TUBE	LIST PRICE/EA
PY	1/8	1/8	\$1.20
	5/32	5/32	\$1.20
	3/16	3/16	\$1.20
	1/4	1/4	\$1.20
	5/16	5/16	\$1.20
	3/8	3/8	\$1.45
	1/2	1/2	\$1.75

**UNION CROSS**

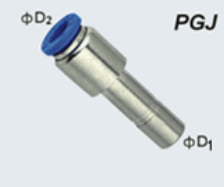
PART NUMBER	TUBE	TUBE	LIST PRICE/EA
PZA	1/8	1/8	\$1.63
	5/32	5/32	\$1.63
	3/16	3/16	\$1.82
	1/4	1/4	\$1.82
	5/16	5/16	\$2.03
	3/8	3/8	\$2.28
	1/2	1/2	\$2.65

**BULKHEAD UNION**

PART NUMBER	TUBE	TUBE	LIST PRICE/EA
PMM	1/8	1/8	\$1.66
	5/32	5/32	\$1.66
	3/16	3/16	\$1.66
	1/4	1/4	\$1.66
	5/16	5/16	\$2.09
	3/8	3/8	\$2.55
	1/2	1/2	\$2.98

**PLUG**

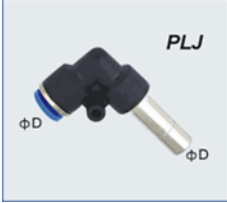
PART NUMBER	TUBE	LIST PRICE/EA
PP	1/8	\$0.34
	5/32	\$0.34
	3/16	\$0.37
	1/4	\$0.46
	5/16	\$0.56
	3/8	\$0.70
	1/2	\$0.89

**PLUG-IN REDUCER**

PART NUMBER	STEM	TUBE	LIST PRICE/EA
PGJ	1/4	5/32	\$1.20
	5/16	5/32	\$1.29
	5/16	1/4	\$1.29
	3/8	1/4	\$1.42
	3/8	5/16	\$1.42
	1/2	1/4	\$1.72

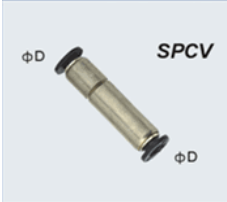


**PLUG-IN ELBOW**



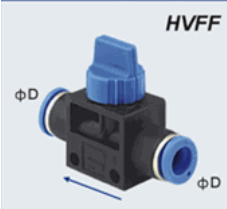
PART NUMBER	STEM	TUBE	LIST PRICE/EA
PLJ	1/8	1/8	\$0.96
	5/32	5/32	\$0.96
	3/16	3/16	\$1.10
	1/4	1/4	\$1.10
	5/16	5/16	\$1.35
	3/8	3/8	\$2.34
	1/2	1/2	\$2.61

**CHECK VALVE FITTINGS**



PART NUMBER	TUBE	TUBE	LIST PRICE/EA
SPCV	5/32	5/32	Call For Pricing
	1/8	1/8	Call For Pricing
	1/4	1/4	\$4.71
	5/16	5/16	Call For Pricing

**TUBE-TUBE**



PART NUMBER	TUBE	TUBE	LIST PRICE/EA
HVFF	1/4	1/4	\$9.24
	3/8	3/8	\$9.87
	1/2	1/2	\$10.92

**TUBE-THREAD**



PART NUMBER	TUBE	THREAD	LIST PRICE/EA
HVSF	1/4	1/4	\$9.24
	3/8	3/8	\$9.87
	1/2	1/2	\$10.92

**ELBOW**



PART NUMBER	TUBE	THREAD	LIST PRICE/EA
NSE	1/4	1/8	\$5.33
	1/4	1/4	\$5.33
	3/8	3/8	\$6.85
	1/2	1/2	\$8.31



PART NUMBER	STEM	TUBE	LIST PRICE/EA.
PYJ	1/8	1/8	\$2.21
	5/32	5/32	\$2.21
	3/16	3/16	\$2.35
	1/4	1/4	\$2.35
	5/16	5/16	\$2.94
	3/8	3/8	\$4.83
	1/2	1/2	\$5.25



PART NUMBER	STEM	TUBE	LIST PRICE/EA
PLHJ	1/8	1/8	\$1.58
	5/32	5/32	\$1.58
	3/16	3/16	\$1.68
	1/4	1/4	\$1.68
	5/16	5/16	\$2.10
	3/8	3/8	\$3.47
	1/2	1/2	\$3.78



PART NUMBER	TUBE	TUBE	LIST PRICE/EA
PKG	3/16	1/8	\$2.94
	3/16	5/32	\$2.94
	1/4	1/8	\$2.94
	1/4	5/32	\$2.94
	5/16	1/8	\$3.15
	5/16	5/32	\$3.15
	5/16	3/16	\$3.15
	5/16	1/4	\$3.15
	3/8	3/16	\$3.57
	3/8	1/4	\$3.57
	3/8	5/16	\$3.57
	1/2	5/16	\$3.89
	1/2	3/8	\$3.89