



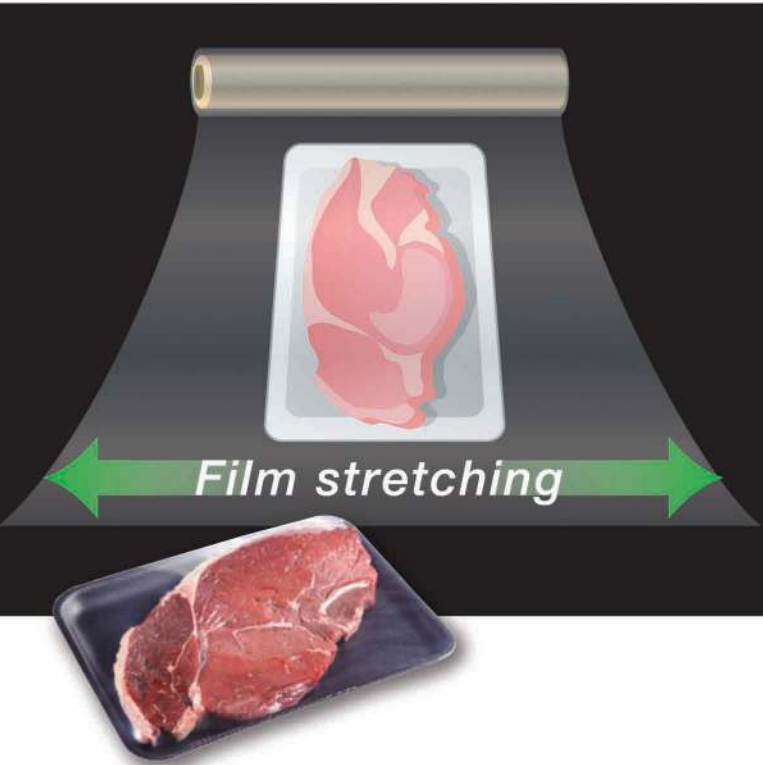
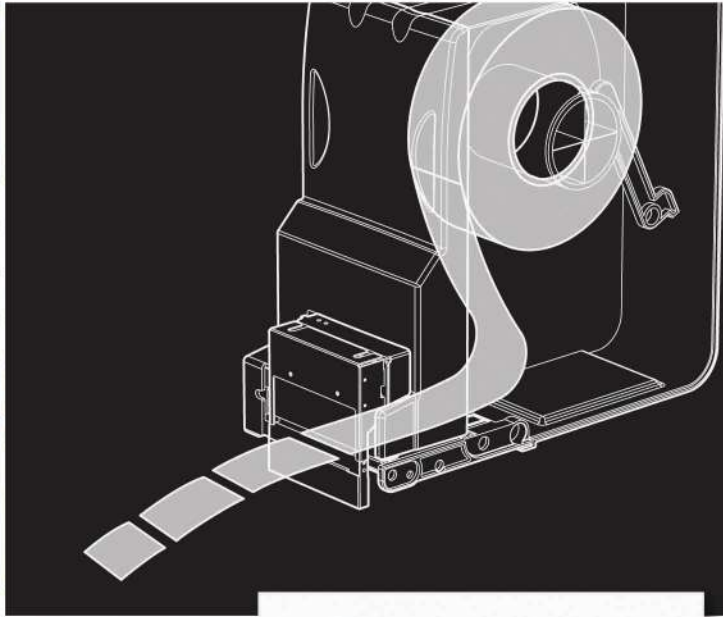
# AW-5600AT

Fully integrated weigh-wrap-label system



# AW-5600AT strongly and efficiency supports the prepackaging operation and lowers total costs

The AW-5600AT is a compact but robust weigh-wrap-label system. Super-wrap technology smoothes the prepackaging operation and reduces film consumption, drastically increases the efficiency of the total operation.



Actual size

## User friendly extra-large 12.1" full color touch screen

- Preset and frequently used function keys can be assigned for quick access. Size, color and location can be changed to suit your operation.
- Label print content can be previewed on the display, helping to prevent labeling errors.
- Extremely large memory easily supports increasing need for print items.

## Super-stretch technology removes tedious adjustments

- DIGI's unique super-stretch technology allows dynamic film savings.
- AW-5600AT automatically determines the optimum wrapping conditions required to wrap the package.
- The film will be stretched to the required size to wrap the package enabling one roll of film to cover most of the trays in a store.

## New 80mm width 300 dpi thermal head

A new 300 dpi thermal head enables clear and crisp label print. The 80mm of print width still allows large label sizes to be used for more information when needed. Head security function is equipped as standard, to prevent dot missing.

## Accurate label placement

Robot arm labeling system automatically applies labels on the trays. The position and the angle can be selected per PLU.

■ POP labeler

■ Twin labeler

■ Bottom labeler



AW-5600AT TWIN POP BP

### Labeling options

AW-5600AT can be equipped with several labeler options.

- Twin labeler
- POP labeler
- Bottom labeler

### Small foot print

AW-5600AT requires a small area for installation.

### Easy film change

Easy film loading can be done from the front of the machine making operation downtime minimal.



ex. 86mm ▶ 60mm

### No more wasted white space on big labels

The auto-label-sizing feature eliminates unused space on the label and automatically adjusts the label size. This reduces the label cost and makes labels more attractive.

### Increased flexibility in label format

The auto-cut feature cuts from a continuous strip of linerless labels every time a label is printed. Variable label layouts and sizes can be printed from a single roll.

## Featuring linerless labeling

A new demension for backroom operations. Eliminate liner waste and increase flexibility and profits.



## Specifications

### Wrapping

Package size ----- Width: 130-380 mm (5.1-15 inches)  
 \* Height: 10-130 mm (0.4-5.1 inches)  
 \* Depth: 80-254 mm (3.1-10 inches)

Wrapping speed ----- Max. 36 packages/min.  
 Number of film roll ----- One roll  
 Film width ----- 300-450 mm (12-18 inches)  
 Film length ----- Max. 1,500 m (4,900 feet)

\* 150mm (5.9 inches) as factory option  
 \*\* The combination of maximum size of each dimensions cannot be used. The size of the package that can be wrapped also depends on the film to use.

### Weighing

Interval type	Multi-interval		Single interval
Capacity	Max. 3/6kg	Max. 6/15kg	Max. 30 lb
Scale interval	e=1/2g	e=2/5g	e=0.01 lb
Weighing range	20g-6kg	40g-15kg	0.20-30 lb
Max. wrapping capacity	5kg	5kg	11 lb

### Printer and labeler

Type ----- Thermal printer  
 Dot density ----- 12 dot/mm (300dpi)  
 Printing width ----- 40-80 mm (1.6 to 3.1 inches)  
 Printing length ----- 28-105 mm (1.1 to 4.1 inches)

Label size ----- Width: 40-80 mm (1.6-3.1 inches)  
 ----- Length: 28-105 mm (1.1-4.1 inches)  
 Label roll diameter ----- Max. 210 mm (8.2 inches)  
 Label roll core diameter ----- 76 mm (3.0 inches)

### Operation console

Display panel ----- TFT LCD color (12.1 inches)  
 Operation keys ----- Mechanical keys and touch screen  
 Memory for programmable files ----- 8.8GB

### General

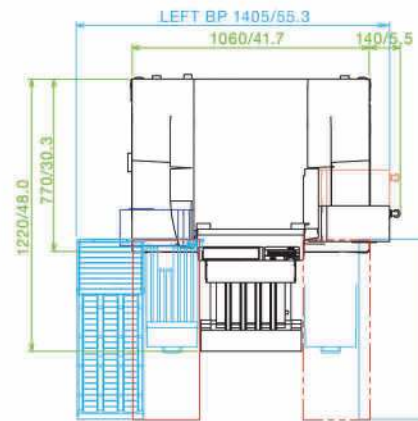
Power source and ----- • 208/240V; 3Phase; 50/60Hz; 2.7kVA  
 power consumption ----- • 220-240V; 1Ø; 50/60Hz; 7.5A; 1.7kW  
 Dimensions ----- 1410/55.5(W)×1535/60.4(D)×1465/57.7(H) mm/inches  
 Net weight ----- Approx. 400kg/882 lb (Single Labeler Type)  
 Operation humidity ----- 90%RH (max.) with no condensation

### Options

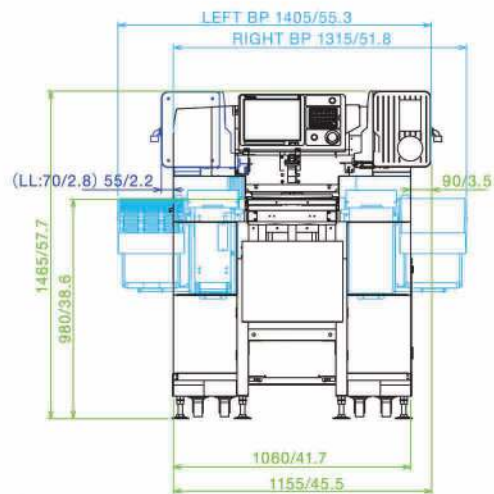
- POP Labeler
- Second Labeler
- Bottom Labeler

## Dimensions

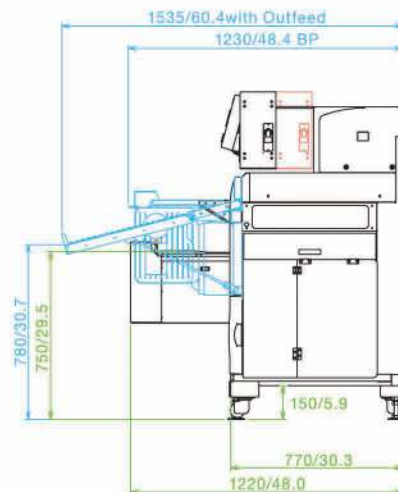
Top View



Front View



Side View



\*Specifications are subject to change without prior notice.

TERAOKA SEIKO CO., LTD.

13-12 Kugahara 5-chome, Ohta-ku,  
 Tokyo 146-8580 JAPAN  
 www.digisystem.com

