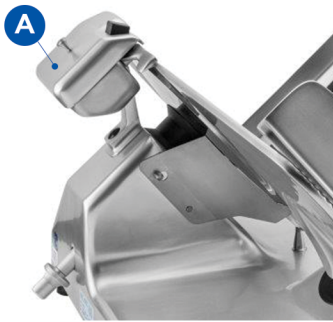


STANDARD FEATURES:

- German Stainless Steel Blade - 3rd generation design minimizes friction and allows blade to easily move through product being sliced
- IP67 Rating; Watertight, tamper resistant on / off buttons; lifetime warranty
- Heavy-duty ½ HP, single speed, enclosed and permanently lubricated blade motor
- 260mm x 155mm capacity carriage handles food up to 10.25"
- Belt transmission
- Easy access / low profile carriage for easy loading
- Tilt carriage for quick and easy cleaning
- Lift leg for easy cleaning under the slicer
- Precise slice thickness up to 1inch
- Heavy duty anodized aluminum construction
- 12 month parts and labor warranty

SAFETY FEATURES:

- Open gauge plate warning light to ensure operators' safety
- Integrated, removable, dual stone sharpener
- Permanent blade guard
- 6 foot flexible 3 wire cord and plug for grounded receptacle (5-15P)



A. Attached / removable dual stone sharpener



B1. IP67 Rating; Watertight; tamper resistant on/off buttons
B2. Open gauge plate warning light



C. Large, low profile carriage for easy loading



D. Lift leg for quick and easy cleaning under slicer



PRODUCT SPECIFICATIONS

Blade Diameter	350 mm / 14 in
Motor	0.5 HP, single speed / 0.37 kw
On / Off Buttons	IP69 switches
Sharpener	attached / removable
Certifications	NSF

SLICING CAPACITY

Rectangular	260 x 155 mm / 10.25 x 6.10 in
Square	200 x 200 mm / 7.87 x 7.87 in
Round	220 mm / 8.66 in
Max Thickness	25 mm / 1.0 in

WEIGHT / PACKAGING INFORMATION

Slicer Net Weight	41 kg / 90.2 lb
Shipping Weight	46.7 kg / 102.74 lb
Shipping Dimensions	800 x 770 x 710 mm 31.50 x 30.31 x 27.95 in

