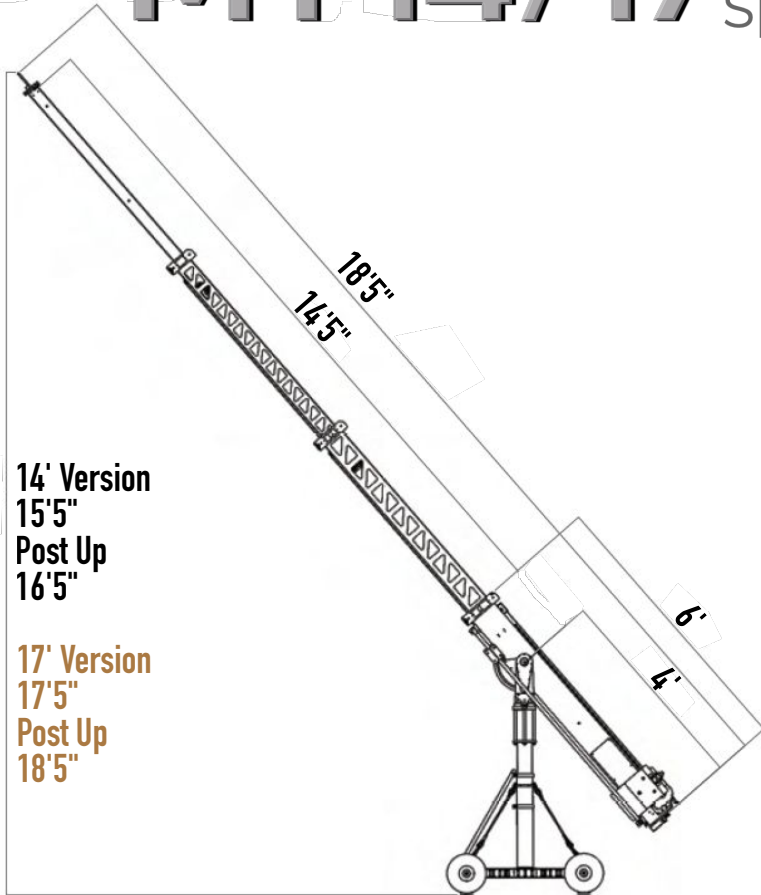


MT14/17 Technical Specifications



Max. Payload	44 lbs	18 lbs
Max. arm length	14'5"	17'5"
Min. arm length	3'	5'10"
Back arm length	4'5"	4'5"
Max. lens height	16'5"	18'5"
Telescopic range	11'5"	12'10"
Max. telescopic speed	2.2 m/s	2.2 m/s
Empty arm weight	143 lbs	145 lbs
Empty arm + dolly weight	286 lbs	289 lbs
Fully loaded weight	507 lbs	530 lbs
Input power required	120V	120V

THE CRANE GUY