



LEHRY VALVES

Where flow and pressure meets quality



CERTIFICATE

The Certification Body of TÜV SÜD South Asia Private Limited certifies that

Lehy Instrumentation & Valves Pvt. Ltd
New No. 78 / Old No. 55 Sembudoss Street, Parry's Chennai- 600001, Tamilnadu, INDIA

has implemented a Quality Management System in accordance with ISO 9001:2015 For Scope of

Marketing and Sales of Ball, Gate, Globe, Check, Butterfly valves, Strainer and Accessories for Over Head Tank Level Controller and Automatic Meter reading, Trading of Instruments Like Pressure & Temperature Gauges, Flow meters, Transmitters and Electrical Control System

The certificate is valid From 2018-01-28 until 2021-01-27
Subject to successful completion of annual periodic audits
The present status of this Certificate can be obtained on www.tuv.com
Further identification regarding the scope of this certificate may be obtained by contacting the certification body

Certificate Registration No. 99 100 15833
Date of Initial certification : 2016-01-28

iqmmy
Certification Body of TÜV SÜD South Asia Private Limited, Mumbai
Member of TÜV SÜD Group

TÜV SÜD South Asia Pvt. Ltd. • TÜV SÜD House - Saii Naka - Andheri (East) - Mumbai - 400072 - Maharashtra - India

ISO Certificate

CERTIFICATE OF COMPLIANCE

Certificate Number: 20190627-EX28043
Report Reference: EX28043-20190416
Issue Date: 2019-JUNE-27

Issued to: **LEHY INSTRUMENTATION & VALVES PVT LTD**
NO 78 (OLD NO 51) SEMBUDOSS STREET, PARRY'S
P.O BOX NO 1508
CHENNAI, TAMIL NADU 600001 INDIA

This certificate confirms that representative samples of **Butterfly Valves**
Butterfly valve: LIV-BFV-DI-DFM-006, LIV-BFV-DI-DFM-001

Have been investigated by UL in accordance with the Standard(s) indicated on this Certificate.

Standard(s) for Safety: **UL 1001 - Standard for Butterfly Valves for Fire Protection Service**

Additional Information: **See the UL Online Certifications Directory at <https://iq.uprospector.com> for additional information.**

This Certificate of Compliance does not provide authorization to apply the UL Mark. Only the UL Follow-Up Services Procedure provides authorization to apply the UL Mark.

Only those products bearing the UL Mark should be considered as being UL Certified and covered under UL's Follow-Up Services.

Look for the UL Certification Mark on the product.

Page 1 of 1

UL Certificate

bsi.
Certificate of Constasy of Performance

This is to certify that: **Lehy Instrumentation and Valves PVT LTD**
78/51, Sembudoss Street
Parry's, Chennai
Tamilnadu
600001
India

Holds Certificate Number: **0086-CPR-661898**

In respect of: **EN 331-1998-41:2010 Manually operated ball valves and closed bottom taper plug valves for gas installations in buildings.**

In compliance with Regulation 305/2011/EU of the European Parliament and of the Council of 9 March 2011 (the Construction Products Regulation or CPR), this certificate applies to the above construction product. This certificate attests that all the provisions concerning the assessment and verification of constancy of performance described in Annex ZA of the above standard(s) under system 1 are applied and that the product fulfils (products fulfil) all the prescribed requirements set out above. This certificate remains valid as long as the test methods and/or factory production control requirements included in the harmonised standard(s), used to assess the performance of the declared essential characteristics, do not change and the product(s), and the manufacturing conditions in the plant(s) are not modified significantly.

For and on behalf of BSI, a Notified Body for the above Regulation (Notified Body Number 0086):
Chris Lewis - Certification Director, Product Certification

First Issued: 2016-10-31
Latest Issue: 2019-10-31

Page: 1 of 2

...making excellence a habit™

CE Certificate for Gas Services

NSF International
789 N. Dixboro Road, Ann Arbor, MI 48105 USA

RECOGNIZES

Lehy Instrumentation and Valves Pvt Ltd.
India

AS COMPLYING WITH NSF/ANSI 61, 372 AND ALL APPLICABLE REQUIREMENTS.
PRODUCTS APPEARING IN THE NSF OFFICIAL LISTING ARE AUTHORIZED TO BEAR THE NSF MARK.

NSF
Certification Body of NSF International, Ann Arbor, MI, USA
Member of NSF International Group

January 10, 2019
Certified C045593-01

Thomas Bellish
General Manager, Water Systems

NSF Certificate for Drinking Water

FM APPROVED

Certificate of Compliance

This certificate is issued for the following:
**MODEL LIV-BL-LFBS-003
BRASS BALL TYPE VALVES**

Prepared for:
Lehy Instrumentation & Valves PVT. LTD.
New No.78/Old No.51 Sembudoss Street, P.B. No.1506
Chennai 600001
India

FM Approvals Class: 1140
Approval Identification: 0003054064 Approval Granted: November 24, 2014

To verify the availability of the Approved product, please refer to www.approvalsguide.com

Said Approval is subject to satisfactory field performance, continuing Surveillance Audits, and strict conformity to the construction as shown in the Approval Guide, an online resource of FM Approvals.

Richard B. Dume
Richard B. Dume
Manager, Fire Protection
FM Approvals
1151 Boston-Providence Turnpike
Norwood, MA 02062

FM Approvals™
Member of the FM Global Group

FM Certificates for Fire Fighting Range

FM APPROVED

Certificate of Compliance

This certificate is issued for the following:
**CHECK VALVES
MODEL LIV-CHK-DI-DFM-001**

Prepared for:
Lehy Instrumentation and Valves Pvt Ltd
New No. 78/Old No. 51 Sembudoss Street
P.B. No. 1506, Chennai 600001
India

FM Approvals Class: 1210, dated June 2004
Approval Identification: 0003062883 Approval Granted: August 8, 2017

To verify the availability of the Approved product, please refer to www.approvalsguide.com

Said Approval is subject to satisfactory field performance, continuing Surveillance Audits, and strict conformity to the construction as shown in the Approval Guide, an online resource of FM Approvals.

David B. Fuller
David B. Fuller
VP - Manager, Fire Protection
FM Approvals
1151 Boston-Providence Turnpike
Norwood, MA 02062 USA

FM Approvals™
Member of the FM Global Group

FM APPROVED

Certificate of Compliance

This certificate is issued for the following:
**Indicating Valves - Butterfly Type
Models LIV-BFV-DI-DFM-001 and LIV-BFV-DI-DFM-006**

Prepared for:
Lehy Instrumentation and Valves Pvt Ltd
New No. 78/Old No. 51 Sembudoss Street
P.B. No. 1506, Chennai 600001
India

FM Approvals Class: 1112, dated August 2006
Approval Identification: 0003062883 Approval Granted: August 8, 2017

To verify the availability of the Approved product, please refer to www.approvalsguide.com

Said Approval is subject to satisfactory field performance, continuing Surveillance Audits, and strict conformity to the construction as shown in the Approval Guide, an online resource of FM Approvals.

David B. Fuller
David B. Fuller
VP - Manager, Fire Protection
FM Approvals
1151 Boston-Providence Turnpike
Norwood, MA 02062 USA

FM Approvals™
Member of the FM Global Group

FM APPROVED

Certificate of Compliance

This certificate is issued for the following:
**Fire Service Water Control Valves
OUTSIDE SCREW & YOLK TYPE (OS&Y)
MODELS LIV-GTV-DI-DFM-001, LIV-GTV-DI-DFM-002, LIV-GTV-DI-DFM-006, LIV-GTV-DI-DFM-007**

Prepared for:
Lehy Instrumentation and Valves Pvt Ltd
New No. 78/Old No. 51 Sembudoss Street
P.B. No. 1506, Chennai 600001
India

FM Approvals Class: 1120/1130, dated April 1997
Approval Identification: 0003062883 Approval Granted: August 8, 2017

To verify the availability of the Approved product, please refer to www.approvalsguide.com

Said Approval is subject to satisfactory field performance, continuing Surveillance Audits, and strict conformity to the construction as shown in the Approval Guide, an online resource of FM Approvals.

David B. Fuller
David B. Fuller
VP - Manager, Fire Protection
FM Approvals
1151 Boston-Providence Turnpike
Norwood, MA 02062 USA

FM Approvals™
Member of the FM Global Group

FM Certificates for Fire Fighting Range

INTRODUCTION

Lehry Valves is a manufacturing company that has been a part of the industry for seven decades. We are a manufacturer and solution provider of Mechanical valves and Automated Utility Systems for MEP services in the Infrastructure, Industrial & water services field. We also service a wide array of Industries right from Food production Pharmaceuticals, Automotive, Aeronautical, Oil & Gas and many more.

Lehry has its presence PAN India in almost every metropolitan city and international offices located across Sri Lanka, UAE, USA & Qatar. Lehry strongly supports and believes in the "Make In India" concept and have established 2 factories in India and one located abroad.

Lehry Valves manufactures green and sustainable valves best suited for plumbing and drinking water applications. We also manufacture high grade resilient valves that are guaranteed to function under the direst situations in Firefighting. We also provide automated solutions for water conservation through automation.

We cater to a large audience such as Builders, Architects, Design & Costing Consultants, Contractors, Warehousing firms, and many other manufacturers.

We boast a large variety of certifications - both National and International, and even approval from Government bodies such as BIS & ISI, international approvals such as FM, UL, NSF, and CE.

Our products and services find application and gravely benefits builders seeking green building certification for their projects, FDI companies & industries setting up shop in India & commercial complexes with FM approval, Architects, Consultants, Pump & RO water manufacturer and many more, through our constant innovation of new products.

We are a company with many firsts. For instance, we are the first Indian Manufacturer to manufacture Lead free products. We are the only Indian manufacturer to hold FM, UL, and NSF approval for the widest range of valves. We are a company that took the first leap in setting up a fully automated, AI Enabled valve experience centre in Asia, so as to bring and visually witness the working of valves behind the wall, right up to the front. We run multiple CSR campaigns because we believe in sharing and imparting knowledge to the field, and we constantly challenge ourselves to stay ahead of the curve.

Some of our Prestigious Clientele



LEHRY VALVES
Where flow and pressure meets quality

www.lehryvalves.com

SL No.	PARTICULARS	PAGE No.
Ball Valve		
1	Lead Free Forged Brass Ball Valve Screwed End	01
Test Drain Valve		
2	Forged Brass Test & Drain Valve Screwed End	02
Butterfly Valve		
3	DI Butterfly Valve Wafer End - 300 Psi	03
4	DI Butterfly Valve Grooved End - 300 Psi	04
Gate Valve		
5	DI OS & Y Type Gate Valve Flanged End - 200 Psi	05
6	DI OS & Y Type Gate Valve Flanged End - 300 Psi	06
7	DI OS & Y Type Gate Valve One Side Flanged & Other Side Grooved End - 200 Psi	07
8	DI OS & Y Type Gate Valve Grooved End - 200 Psi	08
9	DI NRS Type Gate Valve Flanged End - 200 Psi	09
10	DI NRS Type Gate Valve Flanged End - 300 Psi	10
11	DI NRS Type Gate Valve One Side Flanged & Other Side Grooved End - 200 Psi	11
12	DI NRS Type Gate Valve Grooved End - 200 Psi	12
Indicator		
13	Vertical Type Post Indicator	13
Check Valve		
14	DI Swing Check Valve Flanged End - 300 Psi	14
15	DI Swing Check Valve Grooved End - 300 Psi	15



LEAD FREE FM-APD. BRASS BALL VALVE

LEHRY MAKE Lead Free Brass Ball Valve Screwed End which is recommended for Green Building Certification. Suitable for domestic and drinking water services. Also it has **FM approval** for Fire Fighting applications.

Features :

- Flat lever handle with dacromet Plating with Anti Rust properties.
- Body Lead Free Brass as per C46500 standard
- Minimum and maximum working temperatures : -20°C to 120°C in absence of steam.
- Threads ISO 5208 (equivalent to DIN EN ISO 5208 and BS EN ISO 5208).

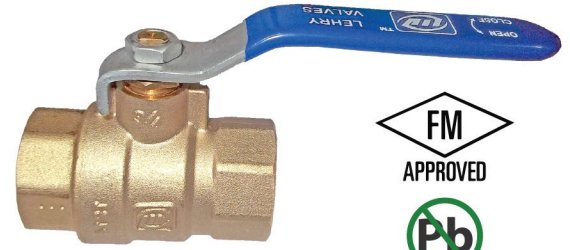
Working Pressure :

- Size : 8mm to 25mm :- 450 Psi
- Size : 32mm to 50mm :- 350 Psi

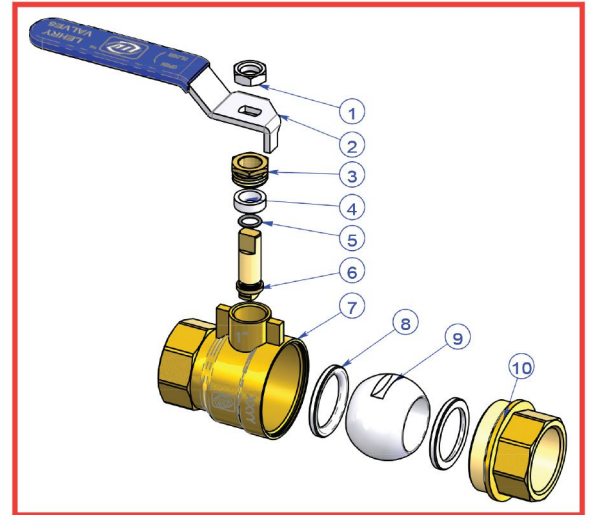
Specification :

SL.N.	Description	Material	Qty
1	Hex- nut	Mild Steel Decromet Plated to prevent Corrosion	1
2	Handle		1
3	Packing Nut	Local Brass	1
4	Packing Gland	PTFE	1
5	O-Ring	EPDM	1
6	Stem	1/2" – 3/4" C46500	1
7	Body	1" – 2" C36000	1
8	Seat	C46500	2
9	Ball	PTFE	1
		1/4"-1" C46500	1
		1 1/4" – 2" Stainless Steel	1
10	Bonnet	C46500	1

Committed to a Better Environment



LIV-BLV-LFBS-003



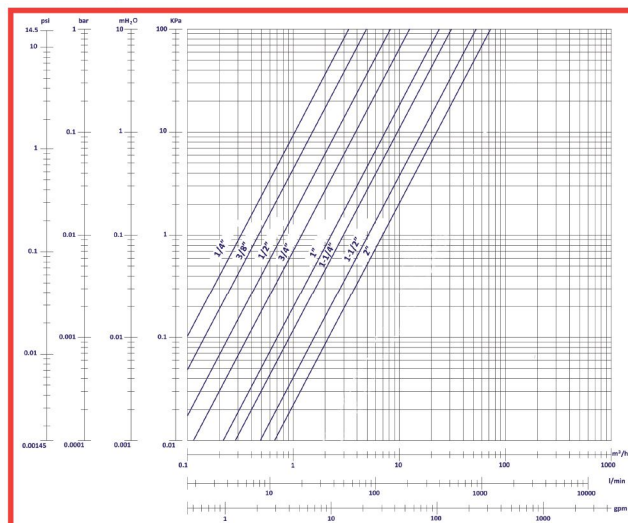
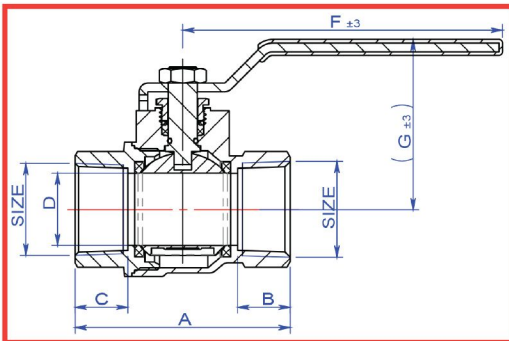
Typical Chemical Composition of Lead Free Brass Valves

Standard	Cu	Al	Sn	Ni	As	Pb	Fe	Zn	Ot.E
C46500	62	0	1	0	0.06	0.2	0.1	Balance	0.4

Dimensions

(All Dimensions are in mm)

SIZE	DN	A	B	C	ØD	E	F	G
1/2"	15	55	15	15	14.5	1/2"	95	42.2
3/4"	20	62.4	15.5	15.5	19	3/4"	95	48.2
1"	25	74	18	18	25	1"	110	58.5
1-1/4"	32	86	19	19	32	1 1/4"	130	68.5
1-1/2"	40	95.2	19.3	19.3	39	1 1/2"	130	68.5
2"	50	109	20	20	49.5	2"	161	88.5

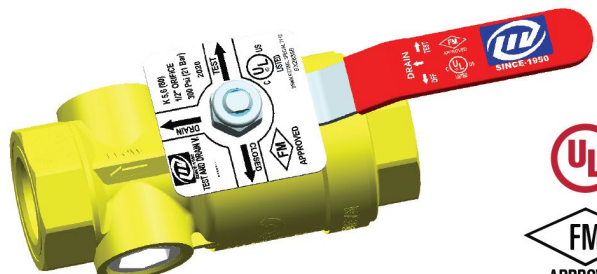


LEHRY VALVES
Where flow and pressure meets quality

LEHRY UL & FM Approved Test and drain valves are compact 3-position ball valves with drain orifice having k-factor 5.6 or 8.0 (optional) and a sight glass. 3- positions consists of OFF-TEST and DRAIN. Test and drain valves provide test as well as express drain functions in wet sprinkler systems. Model LIV-TDV-BS-001 has NPT end connection comes in Brass ASTM B584 material of construction. These have integral tamper resistant sight glass

Valve Operating :

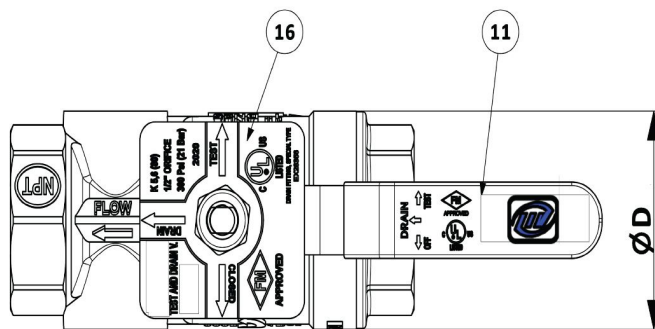
- To Test:
Turn valve handle counter-clockwise from OFF to TEST.
After test is completed, Return handles to OFF.
- To Drain:
Turn valve handle counter-clockwise from OFF to DRAIN.
After test is completed, Return handle to OFF



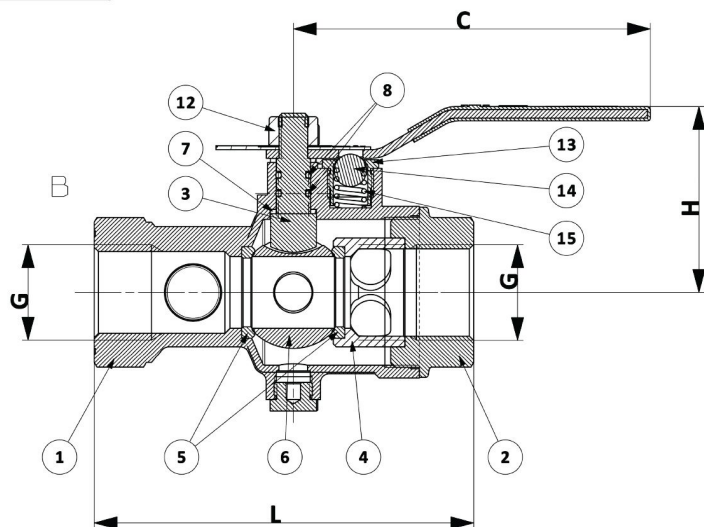
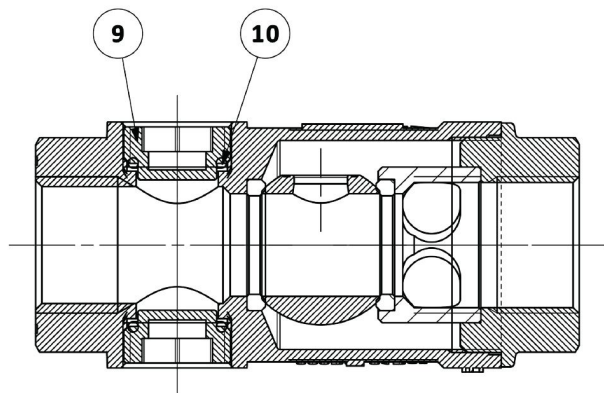
LIV-TDV-BS-001

Specification :

SL No	Parts	Qty	Material
1	Body	1	CW617N Brass
2	Bonnet	1	CW617N Brass
3	Stem	1	AISI 304
4	Bonnet Extension	1	CW617N Brass
5	Ball Seat	2	PTFE
6	Ball	1	CW617N Brass
7	Stem Seal	2	PTFE
8	O-Ring	2	EPDM
9	Sight Glass	2	CLEAR PVC
10	Sight Glass Gasket	2	EPDM
11	Lever	1	ST37 Steel + Vinly Coated
12	Nut with Fiber	1	Mild Steel with Decromet Plated to prevent Corrosion
13	Bearing Ball	1	C-1040
14	Bearing Ball Center	1	AISI 304
15	Spring	1	AISI 302
16	Label	1	AISI 304



Typical Chemical Composition of Brass Valves								
Standard	Cu	Pb	Ni	Sn	Fe	Al	Mn	Zn
CW617N	58.9	2.02	0.059	0.196	0.285	0.026	0.004	Remainder



Working Pressure	300 Psi		
Temperature	0 - 120°C		
Nominal Size	DN	25-32	40-50
Valve Dimensions	G	1" - 1 1/4"	1 1/2' - 2"
	L	133	173
	C	126	156
	H	65	84
	D	60	92
Weight	Kg	1.4 / 1.3	3.5 / 3

BUTTERFLY VALVE WAFER TYPE - 300 Psi

LEHRY UL & FM Approved Wafer Type Butterfly Valves are made to the highest quality standards for industrial applications. These Valves can be integrated with a consistent range to create complete flow control packages. Versatile ranges of resilient seated quarter turn butterfly valves are available in various configurations and materials to match critical applications. High end quality inspection ensures 100% compliance of safety measures, specified pressure rating and each valve assures tight shut-off.

Features :

- Pins between shaft and disk connection is not exposed, this eliminates the possibility of electrolytic corrosion
- Self lubricated plain bearings for both drive and non-drive end shaft ensures minimum bearing friction torque
- Extended stem design for insulated line.
- Excellent adaptability for actuator operation through standardized ISO 5211 flange mounting dimensions for actuator fitment.

Applications :

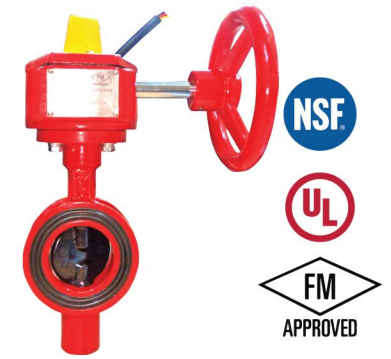
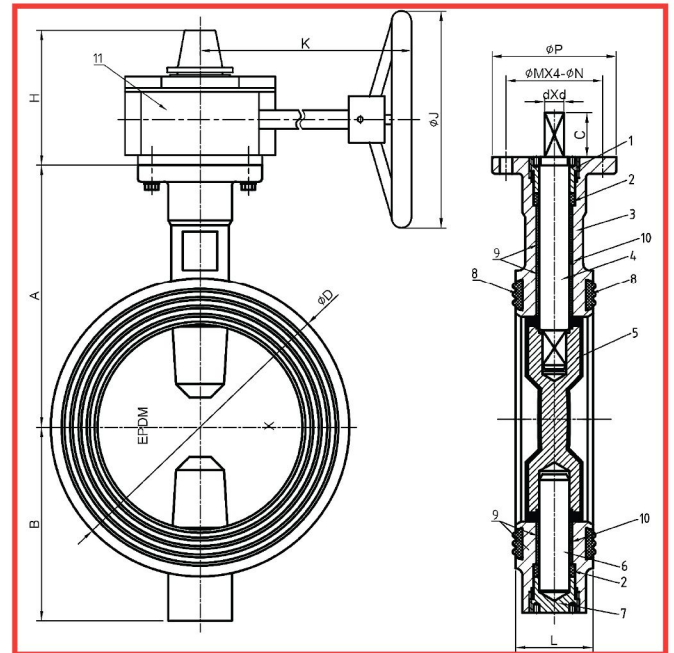
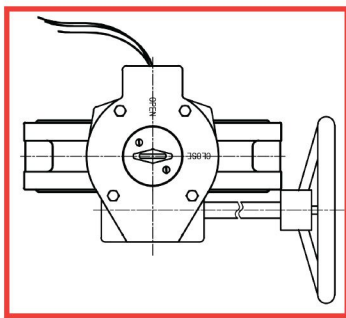
- General Circuit water industries
- Flow Shut Off or Regulating Function in sectors including water supply of Fire Fightings

Technical Specification :

- Max. Working Pressure: 300 Psi (Max. Test Pressure : 450 Psi)
- Max. Working Temp. : 250°F (120°C)
- Application : Fire Fighting Industrial & High Pressure Application
- Double – Seal Disc : Resilient EPDM Coated
- Factory Installed & Tested Supervisory Tamper Switch Assembly
- Electrostatic Spraying Both Inside & Outside of the Body as per AWWA C550, RAL3000

Specification :

SL No	Parts	Material
1	Upper Shaft Sealing Nut	WCB
2	Shaft Seal	EPDM
3	Body	DI (ASTM A536)
4	Upper Shaft	SS416
5	Disc	DI+EPDM
6	Lower Shaft	SS416
7	Lower Shaft Sealing Nut	WCB
8	Stem Bushing	PTFE
9	O-Ring	EPDM
10	Gear Box	DI



LIV-BFV-DI-DFM-001

Carrier Standard

Design Standard	API609
Face to Face Standard	ASME B16.10
Top Flange Standard	ISO 5211
Test Standard	API 598

Dimensions

(All Dimensions are in mm)

Size	A		B	C	D	H	K	J	P	M	N	D	L	
	Inch	MM												
2	50	110	85	32	100	111	153	218	152	90	70	9	10	42
2 ½	65	125	95	32	112	111	153	218	152	90	70	9	10	44.2
3	80	140	100	32	120	111	153	218	152	90	70	9	11	45.3
4	100	160	100	32	161	111	153	218	152	90	70	9	14	52
5	125	170	125	32	182	111	153	218	152	90	70	9	14	54.4
6	150	190	140	32	216	111	153	218	200	90	70	9	16	55.8
8	200	230	175	32	260	126	210	232	300	125	102	12	19	60.5
10	250	260	200	45	320	126	210	232	300	125	102	12	24	66.5
12	300	300	240	45	375	161	249	350	150	125	14	26	76.9	

LEHRY UL & FM Approved Grooved Butterfly Valves are made to the highest quality standards in the industrial applications. These Valves can be integrated with a consistent range to create complete flow control packages. Versatile ranges of resilient seated quarter turn butterfly valves are available in various configuration and materials to match critical applications. High end quality inspection ensures 100% compliances of safety measures, specified pressure rating and each valve assures tight shut-off

Features :

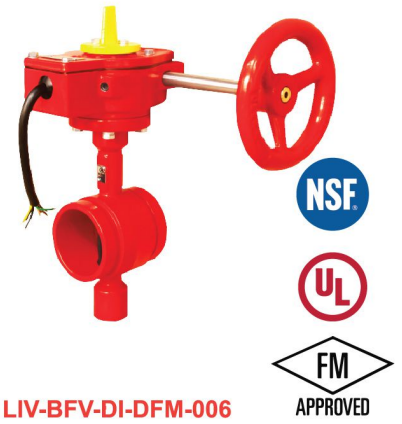
- Self lubricated plain bearings for both drive and non-drive end shaft ensures minimum bearing friction torque
- Extended stem design for insulated line.

Applications :

- General Circuit water industries
- Flow Shut Off or Regulating Function in sectors including water supply of Fire Fightings

Technical Specification :

- Max. Working Pressure: 300 Psi (Max. Test Pressure : 450 Psi)
- Max. Working Temp. : 250°F (120°C)
- Application : Indoor and Outdoor Use
- Double – Seal Disc : Resilient EPDM Coated
- Factory Installed Supervisory Tamper Switch Assembly
- Electrostatic Spraying Both Inside & Outside of the Body as per AWWA C550, RAL3000
- Grooved Standard : AWWA C606



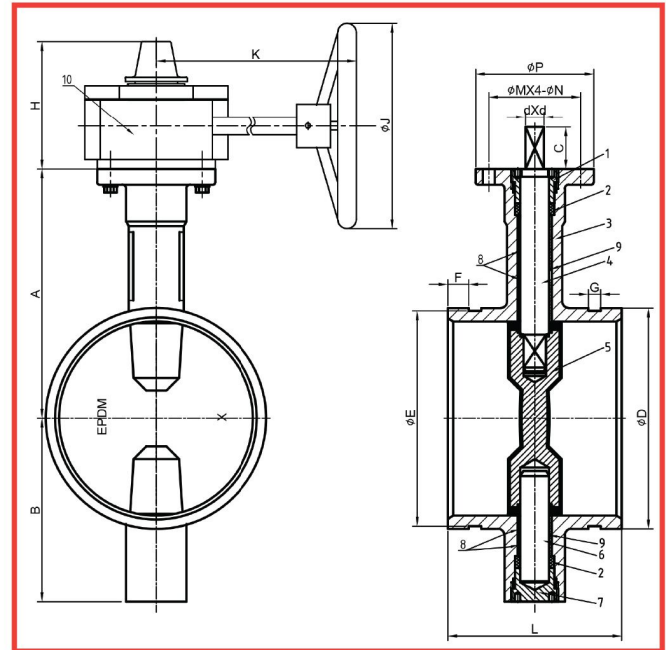
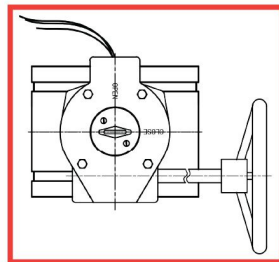
LIV-BFV-DI-DFM-006

Carrier Standard

Design Standard	API609
Face to Face Standard	ASME B16.10
Top Flange Standard	ISO 5211
Test Standard	API 598

Specification :

SL No	Parts	Material
1	Upper Shaft Sealing Nut	WCB
2	Shaft Seal	EPDM
3	Body	DI (ASTM A536)
4	Upper Shaft	SS416
5	Disc	DI+EPDM
6	Lower Shaft	SS416
7	Lower Shaft Sealing Nut	WCB
8	Stem Bushing	PTFE
9	O-Ring	EPDM
10	Gear Box	DI



Dimensions

(All Dimensions are in mm)

Size		A	B	C	D	E	F	G	H	K	J	P	M	N	D	L	
Inc	MM																
2	50	110	85	32	60.3	57.15	15.9	7.9	111	153	218	152	90	70	9	10	88
2 1/2"	65	125	95	32	73	69.1	15.9	7.9	111	153	218	152	90	70	9	10	96.4
					76.1	72.3											
3"	80	140	100	32	88.9	84.9	15.9	7.9	111	153	218	152	90	70	9	11	97
4"	100	160	100	32	114.3	110.1	15.9	9.5	111	153	218	152	90	70	9	14	115.1
5"	125	170	125	32	139.7	135.5	15.9	9.5	111	153	218	152	90	70	9	14	132.4
					141.3	137											
6"	150	190	140	32	165.1	160.9	15.9	9.5	111	153	218	200	90	70	9	16	132.4
					168.3	164											
8"	200	230	175	32	219.1	214.4	19	11.1	126	210	232	300	125	102	12	19	147.4
					216.3	211.6											
10"	250	260	200	45	267.4	262.6	19	12.7	126	210	232	300	125	102	12	24	159
					273	268.3											
12"	300	300	240	45	318.5	312.9	19	12.7	161	249	350	150	125	14	26	165	
					323.8	318.3											

OS & Y TYPE GATE VALVE FLANGED - 200 Psi

LEHRY UL & FM Approved OS&Y Type Gate Valve Flanged End are suitable for water and Coated with Epoxy resin

Features :

- Body, Bonnet are wedge made of high strength ductile iron as per ASTM A536 65-45-12.
- Interior and exterior of the valves are fusion bond epoxy coated.
- Each valve is equipped with a hand-wheel that indicates direction of opening.
- Packing is constructed of high quality graphite.
- Operating stems are made of Stainless steel.
- Wedge nuts are made of AISI 304 stainless steel.
- Flanged ends are in accordance with ANSI B16.1, Class 125

Applications :

- General Circuit water industries
- Flow Shut Off or Regulating Function in sectors including water supply of Fire Fightings

Technical Specification :

- Design Standard : AWWA C509
- Max. Working Pressure: 200 Psi (Max. Test Pressure : 350 Psi)
- Application : Indoor and Outdoor Use
- Face to Face Standard : ASME B16.10
- Electrostatic spraying Both Inside & Outside of the Body as per AWWA C550, RAL3000

Valve Specification :

SL No	Parts	Material
1	Body	DI (ASTM A536)
2	Disc	DI+EPDM
3 & 11	Connection Part & Rotation Nut	C95400
4	Sealing Pad	EPDM
5	Stem	SS 304
6 & 9	Cap & Platen	DI (ASTM A536)
7	Sealing Kits	Graphite
8 & 10	Bolt & Nut	Steel
12 & 13	Hand Wheel & Lock Net	Steel
14	Flat Key	SS.416
15 & 16	Countersunk Head Bolt & Cylinder pin	Steel
17	Plug	C94500

Dimensions

(All Dimensions are in mm)

Size	Inc	2"	2 ½"	3"	4"	5"	6"	8"	10"	12"
	MM	50	65	80	100	125	150	200	250	300
L	178	190	203	229	254	267	292	330	356	356
H	313	340	387	440	546	607	786	946	1110	1110
ØD	152	178	191	229	254	279	343	406	483	483
ØA	180	200	220	250	280	300	350	406	406	406

Above 300 mm Sizes

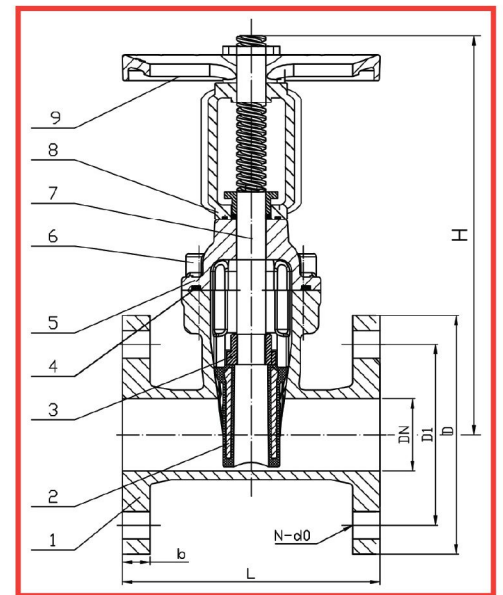
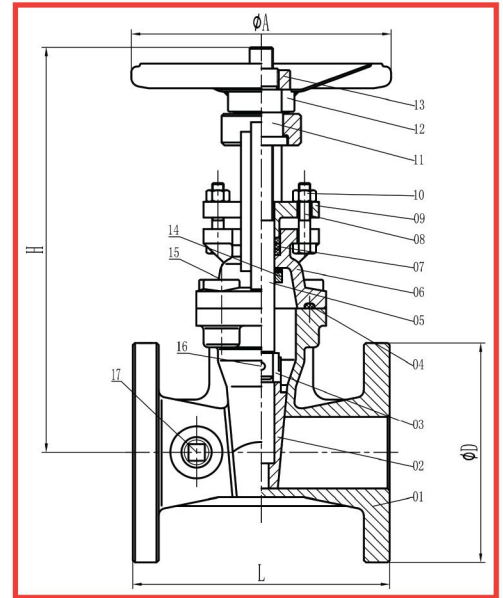
SL No	Parts	Material
1	Body	DI (ASTM A536)
2	Disc	DI+EPDM
3	Nut	C95400
4	O-Ring	EPDM
5	Cover	DI (ASTM A536)
6	Bolt	Steel
7	Stem	SS 410
8	Gland Flange	DI (ASTM A536)
9	Hand Wheel	DI (ASTM A536)

Dimensions (All Dimensions are in mm)

Size		D	D1	b	L	H	n-d
MM	Inch						
350	14"	535	476.3	33.4	381	1055	12-29
400	16"	595	539.8	35	406	1350	16-29



LIV-GTV-DI-DFM-001



LEHRY UL & FM Approved OS&Y Type Gate Valve Flanged End are suitable for water and Coated with Epoxy resin

Features :

- Body, Bonnet, and wedge are made of high strength ductile iron as per ASTM A536 65-45-12.
- Interior and exterior of the valves are fusion bond epoxy coated.
- Each valve is equipped with a hand-wheel that indicates direction of opening.
- Packing is constructed of high quality graphite.
- Operating stems are made of Stainless steel.
- Wedge nuts are made of AISI 304 stainless steel.
- Flanged ends are in accordance with ANSI B16.42 Class 150

Applications :

- General Circuit water industries
- Flow Shut Off or Regulating Function in sectors including water supply of Fire Fightings

Technical Specification :

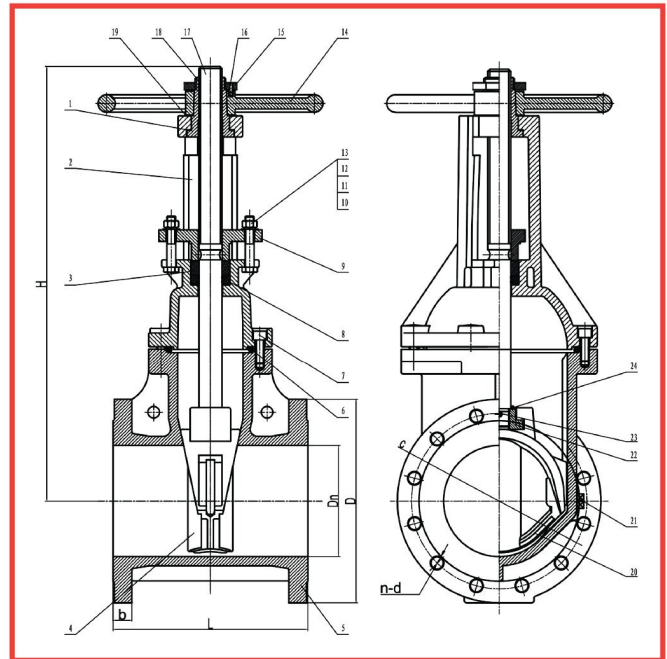
- Design Standard : AWWA C509
- Max. Working Pressure: 300 Psi (Max. Test Pressure : 450 Psi)
- Application : Indoor and Outdoor Use
- Face to Face Standard : ASME B16.10
- Electrostatic spraying Both Inside & Outside of the Body as per AWWA C550, RAL 3000

Valve Specification :

SL No	Parts	Material
1	Gasket	C95400
2	Bonnet	DI (ASTM A536)
3 & 8	Packing	Graphite
4	Disc	EPDM + DI
5	Body	DI (ASTM A536)
6	Sealing Ring	EPDM
7 & 12	Bolt	Steel
9	Gland	DI (ASTM A536)
10,11 & 13	Nut, Flat Washer & Spring Washer	Steel
14 & 20	Hand Wheel & Skeleton	DI (ASTM A536)
15 & 18	Lock Nut & Stem Nut	C95400
16 & 17	Locationg Screw & Stem	SS.304
19 & 21	Gasket & Plug	C95400
22	Lifting Nut	CF8M
23	Pin	SS304
24	Sealing Ring	EPDM



LIV-GTV-DI-DFM-002



Dimensions

(All Dimensions are in mm)

Size	Inc MM	2 ½" 65	3" 80	4" 100	5" 125	6" 150	8" 200	10" 250	12" 300
L		190	203	229	254	267	292	330	356
D		190	210	255	280	320	380	445	520
C		149	168	200	235	270	330	387	451
n-d		8-Ø22	8-Ø22	8-Ø22	8-Ø22	12-Ø22	12-Ø25	16-Ø29	16-Ø32
b		17.5	19.1	24	24	25.4	28.6	30.2	31.8
H		370	420	447	547	607	754	890	1031

LEHRY **UL & FM Approved OS&Y Type One Side Flanged End & other Side Grooved End** are suitable for water and Coated with Epoxy resin

Features :

- Body, Bonnet, and wedge are made of high strength ductile iron per ASTM A536 65-45-12.
- Interior and exterior of the valves are fusion bond epoxy coated.
- Each valve is equipped with a hand-wheel that indicates direction of opening.
- Packing is constructed of high quality graphite.
- Operating stems are made of Stainless steel.
- Wedge nuts are made of AISI 304 stainless steel.
- One Side Grooved & One Side Flanged ends are in accordance with AWWA C606 ANSI B16.1, Class 125

Applications :

- General Circuit water industries
- Flow Shut Off or Regulating Function in sectors including water supply of Fire Fightings

Technical Specification :

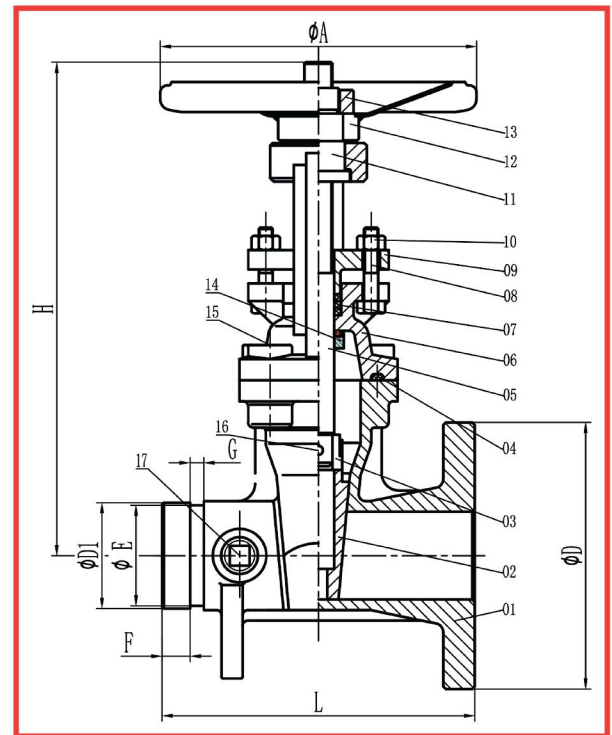
- Design Standard : AWWA C509
- Max. Working Pressure: 200 Psi (Max. Test Pressure : 350 Psi)
- Application : Indoor and Outdoor Use
- Face to Face Standard : ASME B16.10
- Electrostatic spraying Both Inside & Outside of the Body as per AWWA C550, RAL 3000
- Grooved Standard : AWWA C606

Specification :

SL No	Parts	Material
1	Body	DI (ASTM A536)
2	Disc	DI+EPDM
3 & 11	Connection Part & Rotation Nut	C95400
4	Sealing Pad	EPDM
5	Stem	SS 304
6 & 9	Cap & Platen	DI (ASTM A536)
7	Sealing Kits	PTFE
8 & 10	Bolt & Nut	Steel
12 & 13	Hand Wheel & Lock Net	Steel
14	Flat Key	SS.416
15 & 16	Countersunk Head Bolt &	Steel
17	Plug	C95400



LIV-GTV-DI-DFM-007



Dimensions

(All Dimensions are in mm)

Size	Inc	2"	2 ½"	3"	4"	5"	6"	8"	10"	12"
	MM	50	65	80	100	125	150	200	250	300
L		178	190	203	229	254	267	292	330	356
H		313	340	387	440	546	607	786	946	1110
ØD		152	178	191	229	254	279	343	406	483
ØA		180	200	220	250	280	300	350	406	406
ØD1		60.3	76.1	88.9	114.3	141.3	168.3	219.1	273	323.9
ØE		57.2	72.3	84.9	110.1	137	163.9	214.4	268.3	318.3
F		15.9	15.9	15.9	15.9	15.9	15.9	19	19	19
G		7.9	7.9	7.9	9.5	9.5	9.5	11.1	12.7	12.7

LEHRY UL & FM Approved OS&Y Type Grooved End are suitable for water and Coated with Epoxy resin

Features :

- Body, Bonnet, and wedge made of high strength ductile iron per ASTM A536 65-45-12.
- Interior and exterior of the valves are fusion bond epoxy coated.
- Each valve is equipped with a hand-wheel that indicates direction of opening.
- Packing is constructed of high quality graphite.
- Operating stems are made of Stainless steel.
- Wedge nuts are made of AISI 304 stainless steel.
- Grooved End as per AWWA C606



Applications :

- General Circuit water industries
- Flow Shut Off or Regulating Function in sectors including water supply of Fire Fightings

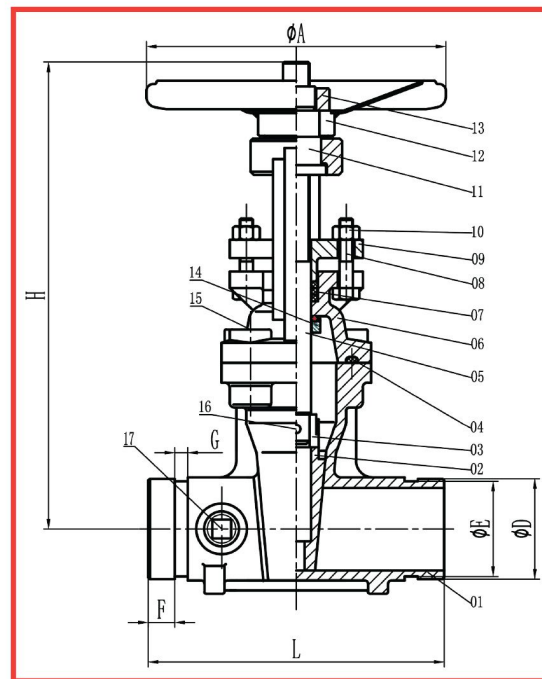
LIV-GTV-DI-DFM-006

Technical Specification :

- Design Standard : AWWA C509
- Max. Working Pressure: 200 Psi (Max. Test Pressure : 350 Psi)
- Application : Indoor and Outdoor Use
- Face to Face Standard : ASME B16.10
- Electrostatic spraying Both Inside & Outside of the Body as per AWWA C550, RAL 3000
- Grooved Standard : AWWA C606

Specification :

SL No	Parts	Material
1	Body	DI (ASTM A536)
2	Disc	DI+EPDM
3 & 11	Connection Part & Rotation Nut	C95400
4	Sealing Pad	EPDM
5	Stem	SS 304
6 & 9	Cap & Platen	DI (ASTM A536)
7	Sealing Kits	PTFE
8 & 10	Bolt & Nut	Steel
12 & 13	Hand Wheel & Lock Net	Steel
14	Flat Key	SS.416
15 & 16	Countersunk Head Bolt &	Steel
17	Plug	C95400



Dimensions

(All Dimensions are in mm)

Size	Inc	2"	2 ½"	3"	4"	5"	6"	8"	10"	12"
	MM	50	65	80	100	125	150	200	250	300
L		178	190	203	229	254	267	292	330	356
H		313	340	387	440	546	607	786	946	1110
ØA		180	200	220	250	280	300	350	406	406
ØD		60.3	76.1	88.9	114.3	141.3	168.3	219.1	273	323.9
ØE		57.2	72.3	84.9	110.1	137	163.9	214.4	268.3	318.3
F		15.9	15.9	15.9	15.9	15.9	15.9	19	19	19
G		7.9	7.9	7.9	9.5	9.5	9.5	11.1	12.7	12.7

LEHRY UL & FM Approved Non – Rising stem Type Gate Valve Flanged End are suitable for water and Coated with Epoxy resin

Features :

- Body, Bonnet, and wedge made of high strength ductile iron per ASTM A536 65-45-12'
- Interior and exterior of the valves are fusion bond epoxy coated.
- Each valve is equipped with a hand-wheel that indicates direction of opening.
- Packing is constructed of high quality graphite.
- Operating stems are made of Stainless steel.
- Wedge nuts are made of AISI 304 stainless steel.
- Flanged ends are in accordance with ANSI B16.1, Class 125



Applications :

- General Circuit water industries
- Flow Shut Off or Regulating Function in sectors including water supply of Fire Fightings

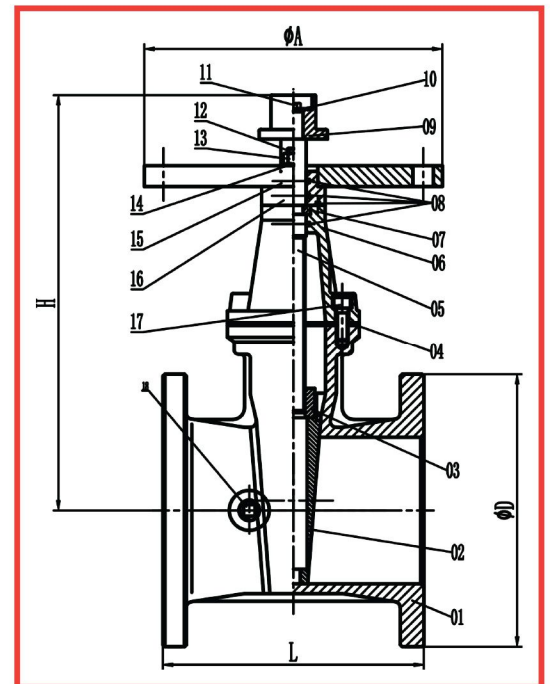
LIV-GTV-DI-NSR-NH-FM-001

Technical Specification :

- Design Standard : AWWA C515
- Max. Working Pressure: 200 Psi (Max. Test Pressure : 350 Psi)
- Application : Indoor and Outdoor Use
- Face to Face Standard : ASME B16.10
- Electrostatic spraying Both Inside & Outside of the Body as per AWWA C550, RAL 3000

Specification :

SL No	Parts	Material
1	Body	DI (ASTM A536)
2	Disc	DI+EPDM
3 & 7	Nut & Retainer Ring	C95400
4	Gasket	EPDM
5	Stem	SS 304
6 & 9	Cap & Scotch	DI (ASTM A536)
8	O-Ring	EPDM
10 & 11	Mini Pad & Bolt	Steel
12 & 13	Bolt Stud & Blind Stud	Steel
14	Plain Washer	Steel
15 & 16	Coupling Flange & Platen	DI (ASTM A536)
17	Countersunk head bolt	Steel
18	Plug	C94500



Dimensions

(All Dimensions are in mm)

Size	Inc	2 ½"	3"	4"	5"	6"	8"	10"	12"
	MM	65	80	100	125	150	200	250	300
L		190	203	229	254	267	292	330	356
H		289	326	355	410	455	558	648	745
ØD		178	190	229	254	279	343	406	483
ØA		305	305	305	305	305	305	305	305

LEHRY UL & FM Approved Non – Rising stem Type Gate Valve Flanged End are suitable for water and Coated with Epoxy resin

Features :

- Body, Bonnet, and wedge made of high strength ductile iron per ASTM A536 65-45-12.
- Interior and exterior of the valves are fusion bond epoxy coated.
- Each valve is equipped with a hand-wheel that indicates direction of opening.
- Packing is constructed of high quality graphite.
- Operating stems are made of Stainless steel.
- Wedge nuts are made of AISI 304 stainless steel.
- Flanged ends are in accordance with ANSI B16.42, Class 150



LIV-GTV-DI-NSR-NH-FM-002

Applications :

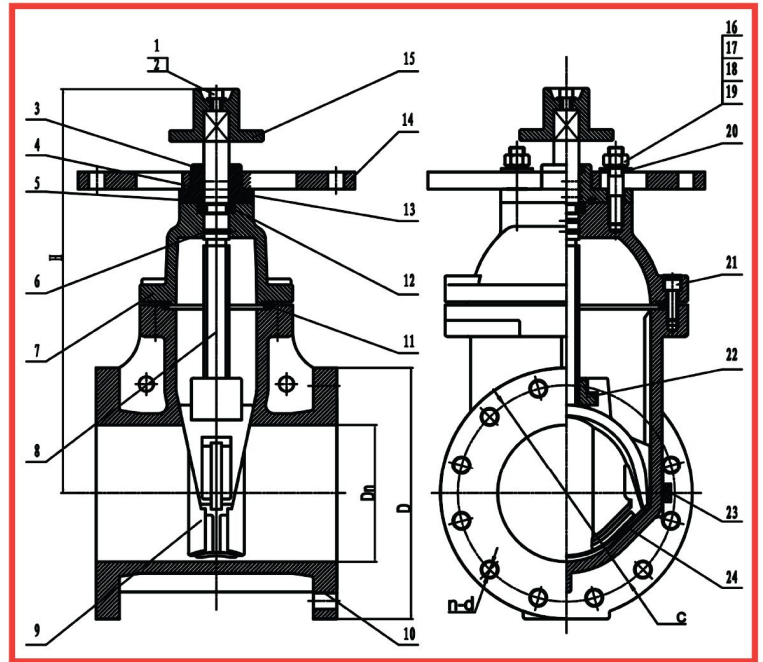
- General Circuit water industries
- Flow Shut Off or Regulating Function in sectors including water supply of Fire Fightings

Technical Specification :

- Design Standard : AWWA C515
- Max. Working Pressure: 300 Psi (Max. Test Pressure : 450 Psi)
- Application : Indoor and Outdoor Use
- Face to Face Standard : ASME B16.10
- Electrostatic spraying Both Inside & Outside of the Body as per AWWA C550, RAL 3000

Specification :

SL No	Parts	Material
1 & 2	Flat Washer & Inner Hexagon Screw	SS.304
3 & 5	Sealing Gland & Sealing Ring	EPDM
4 & 6	O-Ring	EPDM
7 & 10	Body & Bonnet	DI (ASTM A536)
8	Stem	SS 304
9	Disc	EPDM+DI
11	Sealing Ring	EPDM
12	Retaining Ring	C95400
13,14 & 15	Gland & Terminal Pad & Link Block	DI (ASTM A536)
16 & 17	Nut & Studs	SS 304
18	Spring Washer	Steel
19 & 20	Washer	Steel
21	Inner Hexagon Screw	Steel
22	Master Screw	C95400
23	Plug	C95400
24	Skeleton	DI (ASTM A536)



Dimensions

(All Dimensions are in mm)

Size	Inc	2 1/2"	3"	4"	5"	6"	8"	10"	12"
	MM	65	80	100	125	150	200	250	300
L		190	203	229	254	267	292	330	356
D		178	191	229	254	279	343	406	483
c		139.5	152.5	190.5	216	241.5	298.5	362	432
n-d		4-Ø19	4-Ø19	8-Ø19	8-Ø22	8-Ø22	8-Ø22	12-Ø25	12-Ø25
H		292	322	342	412	448	534	635	720

LEHRY UL & FM Approved Non – Rising stem Type Gate Valve One Side Flanged and other side Grooved End are suitable for water and Coated with Epoxy resin

Features :

- Body, Bonnet, and wedge made of high strength ductile iron per ASTM A536 65-45-12.
- Interior and exterior of the valves are fusion bond epoxy coated.
- Each valve is equipped with a hand-wheel that indicates direction of opening.
- Packing is constructed of high quality graphite.
- Operating stems are made of Stainless steel.
- Wedge nuts are made of AISI 304 stainless steel.
- One Side Grooved End and One Side Flanged End are in accordance with AWWA C606 ANSI B16.1, Class 125



LIV-GTV-DI-NSR-NH-FM-007

Applications :

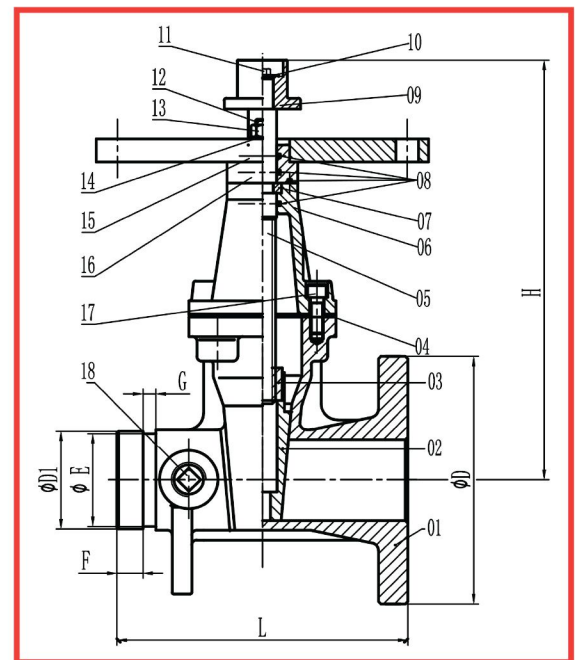
- General Circuit water industries
- Flow Shut Off or Regulating Function in sectors including water supply of Fire Fightings

Technical Specification :

- Design Standard : AWWA C515
- Max. Working Pressure: 200 Psi (Max. Test Pressure : 350 Psi)
- Application : Indoor and Outdoor Use
- Face to Face Standard : ASME B16.10
- Grooved Standard : AWWA C606
- Electrostatic spraying Both Inside & Outside of the Body as per AWWA C550, RAL 3000

Specification :

SL No	Parts	Material
1	Body	DI (ASTM A536)
2	Disc	DI+EPDM
3 & 7	Nut & Retainer Ring	C95400
4	Gasket	EPDM
5	Stem	SS 304
6 & 9	Cap & Scotch	DI (ASTM A536)
8	O-Ring	EPDM
10 & 11	Mini Pad & Bolt	Steel
12 & 13	Bolt Stud & Blind Stud	Steel
14	Plain Washer	Steel
15 & 16	Coupling Flange & Platen	DI (ASTM A536)
17	Countersunk head bolt	Steel
18	Plug	C94500



Dimensions

(All Dimensions are in mm)

Size	Inc	2"	2 ½"	3"	4"	5"	6"	8"	10"	12"
	MM	50	65	80	100	125	150	200	250	300
L		178	190	203	229	254	267	292	330	356
H		264	289	326	355	410	455	558	648	745
ØD		152	178	191	229	254	279	343	406	483
ØD1		60.3	76.1	88.9	114.3	141.3	168.3	219.1	273	323.9
ØE		57.2	72.3	84.9	110.1	137	163.9	214.4	268.3	318.3
F		15.9	15.9	15.9	15.9	15.9	15.9	19	19	19
G		7.9	7.9	7.9	9.5	9.5	9.5	11.1	12.7	12.7

LEHRY UL & FM Approved Non – Rising stem Type Gate Valve Grooved End are suitable for water and Coated with Epoxy resin

Features :

- Body, Bonnet, and wedge made of high strength ductile iron per ASTM A536 65-45-12.
- Interior and exterior of the valves are fusion bond epoxy coated.
- Each valve is equipped with a hand-wheel that indicates direction of opening.
- Packing is constructed of high quality graphite.
- Operating stems are made of Stainless steel.
- Wedge nuts are made of AISI 304 stainless steel.
- Grooved End as per AWWA C606



LIV-GTV-DI-NSR-NH-FM-006

Applications :

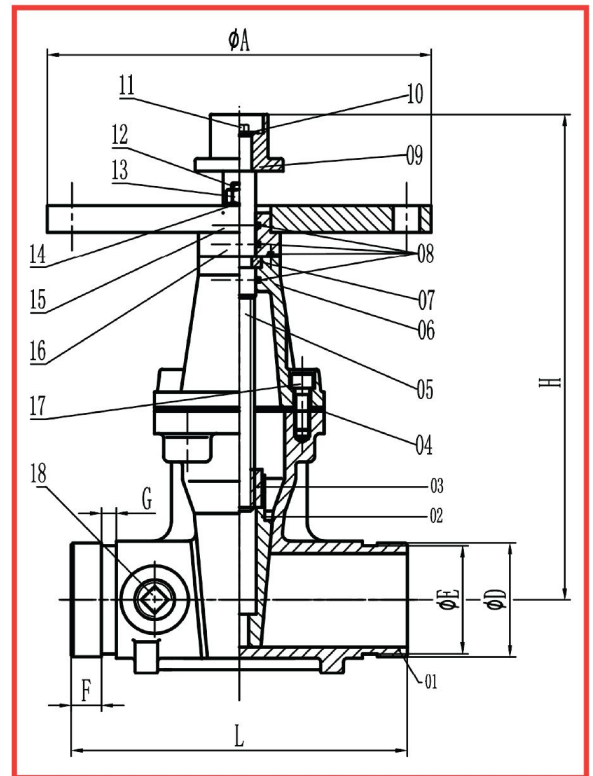
- General Circuit water industries
- Flow Shut Off or Regulating Function in sectors including water supply of Fire Fightings

Technical Specification :

- Design Standard : AWWA C515
- Max. Working Pressure: 200 Psi (Max. Test Pressure : 350 Psi)
- Application : Indoor and Outdoor Use
- Face to Face Standard : ASME B16.10
- Grooved Standard : AWWA C606
- Electrostatic spraying Both Inside & Outside of the Body as per AWWA C550, RAL 3000

Specification :

SL No	Parts	Material
1	Body	DI (ASTM A536)
2	Disc	DI+EPDM
3 & 7	Nut & Retainer Ring	C95400
4	Gasket	EPDM
5	Stem	SS 304
6 & 9	Cap & Scotch	DI (ASTM A536)
8	O-Ring	EPDM
10 & 11	Mini Pad & Bolt	Steel
12 & 13	Bolt Stud & Blind Stud	Steel
14	Plain Washer	Steel
15 & 16	Coupling Flange & Platen	DI (ASTM A536)
17	Countersunk head bolt	Steel
18	Plug	C94500



Dimensions

(All Dimensions are in mm)

Size	Inc	2"	2 ½"	3"	4"	5"	6"	8"	10"	12"
	MM	50	65	80	100	125	150	200	250	300
L		178	190	203	229	254	267	292	330	356
H		264	289	326	355	410	455	558	348	745
ØD		60.3	76.1	88.9	114.3	141.3	168.3	219.1	273	323.9
ØE		57.2	72.3	84.9	110.1	137	163.9	214.4	268.3	318.3
F		15.9	15.9	15.9	15.9	15.9	15.9	19	19	19
G		7.9	7.9	7.9	9.5	9.5	9.5	11.1	12.7	12.7

VERTICAL TYPE POST INDICATOR

LEHRY MAKE Non-FM Approved Cast Iron Vertical posts are designed to operate the control valve of an automatic fire sprinkler system.

Features :

- Indicates if the valve is in the open or shut position.
- The indicator post provides a means to operate a buried or otherwise inaccessible valve.
- The adjustment range of the indicator post is 34.5" to suit the deeper buried valve and can be easily adjusted in the field.
- The wrench handle fits over a "U" bracket on the barrel, and may be fixed with a padlock to secure the operation wrench to the barrel.
- OPEN and SHUT targets can be easily adjusted to fit exactly in the viewing window.
- Internally and externally spray epoxy painted RAL3000

Field Adjustments

- Remove the top section of the upper barrel of the indicator post
- Cut the stem to the required length and adjust the standpipe to match up the GROUND LINE
- Set the OPEN and SHUT targets for the appropriate valve size
- Re-attach the top section of the upper barrel of the indicator post.

Installation Instructions

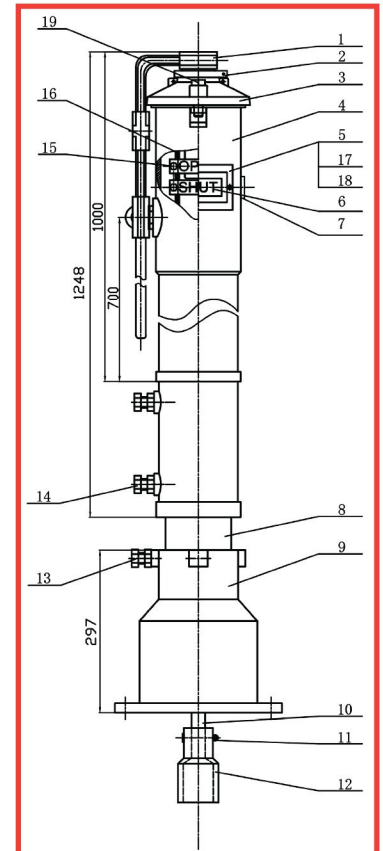
- Unload the upper cover of control lead
- Measure Control lead depth, remove the excess part of connector lead and driving rod
- Fit the control rod with full closed valve, turn the position plate to SHUT position
- Load upper cover

Specification :

SL No	Parts	Material
1	Handle	DI (ASTM A536)
2	Driving Rod	SS.304
3	Indicator Cover	CI
4	Housing	CI
5	Keyhole Plate	A283 Gr.C
6	Indicator Plate	A413. 0 (ASTM S12A)
7	Screwed Plut	1035 (ASTM A29)
8	Extension rod	A283 Gr.C
9	Flange	CI
10	Connection Rod	1045 (ASTM A29)
11	Cotter Pin	1035 (ASTM A29)
12	Joint	CI
13	Bolt	1035 (ASTM A29)
14	Bolt	1035 (ASTM A29)
15	Bolt	1035 (ASTM A29)
16	Driving nut	SS.304
17	Keyhole Plate Gasket	EPDM
18	Indicator Flap	Organic Glass
19	Bolt	1035 (ASTM A29)



LIV-VIP-GTV-NSR-RP-001



Dimensions (All Dimensions are in mm)

Size	ØH	H	A	F
All Sizes	297	1248	1000	700

LEHRY UL & FM Approved Swing Type Check Valve Flanged End are suitable for water, oil & Gas and Coated with Epoxy resin

Features :

- Body, Bonnet, and wedge made of high strength ductile iron per ASTM A536 65-45-12.
- Interior and exterior of the valves are fusion bond epoxy coated.
- Packing is constructed of high quality graphite.
- Wedge nuts are made of AISI 304 stainless steel.
- Flanged ends are in accordance with ANSI B16.42 Class 150.



LIV-CHK-DI-DFM-001

Applications :

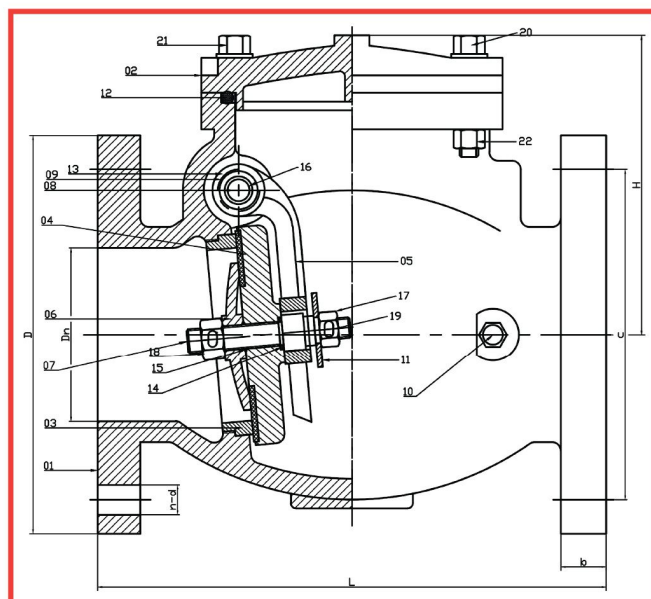
- General Circuit water, Gas & Oil Industries

Technical Specification :

- Design Standard : AWWA C508
- Max. Working Pressure: 300 Psi (Max. Test Pressure : 450 Psi)
- Application : Indoor and Outdoor Use
- Face to Face Standard : ASME B16.10
- Electrostatic spraying Both Inside & Outside of the Body as per AWWA C550, RAL 3000

Specification :

SL No	Parts	Material
1 & 2	Body & Bonnet	DI (ASTM A536)
3	Seat Ring	C95400
4	Disc	DI ASTM A536
5 & 6	Rocker Arm & Baffle Plate	DI ASTM A536
7 & 8	Middle Stem & Pinned Stem	SS 304
9 & 11	Bracket Screw & Gasket	SS 304
10	Plug	C95400
12,13,14 & 15	O-ring	EPDM
16	Bronze Bush	C95400
17 & 18	Outer Hexagon Nut M12	SS 304
19	Cotter Pin 4 x 55	SS 304
20	Outer Hexagon Bolt (Half Thread)	ASTM A194 SS
21	Outer Hexagon Bolt (Full Thread)	ASTM A194 SS
22	Zinc Outer Hexagon Nut	ASTM A194 SS



Dimensions

(All Dimensions are in mm)

Size	Inc	2"	2 1/2"	3"	4"	5"	6"	8"	10"	12"
	MM	50	65	80	100	125	150	200	250	300
L	203	216	241	292	330	356	495	622	698	
D	152	178	191	229	254	279	343	406	483	
b	18	18.5	20.5	24.5	24	25	28	32	32	
c	120.5	139.5	152.5	190.5	216	241.5	298.5	362	432	
n-d	4-Ø19	4-Ø19	4-Ø19	8-Ø19	8-Ø22	8-Ø22	8-Ø22	8-Ø22	12-Ø25	12-Ø25
H	142	148	163.5	172	237	233	301	348	419	

SWING CHECK VALVE GROOVED END - 300 Psi

LEHRY Swing Type Check Valve Grooved End are suitable for water, oil & Gas and Coated with Epoxy resin

Features :

- Body, Bonnet, and wedge are made of high strength ductile iron per ASTM A536 65-45-12.
- Interior and exterior of the valves are fusion bond epoxy coated.
- Packing is constructed of high quality graphite.
- Wedge nuts are made of AISI 304 stainless steel.
- Grooved End as per AWWA C606



LIV-CHK-DI-DI-006

Applications :

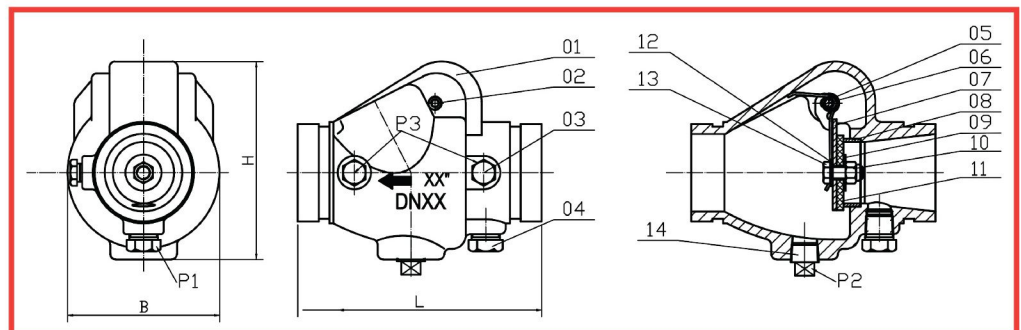
- General Circuit water, Gas & Oil Industries

Technical Specification :

- Design Standard : AWWA C515
- Max. Working Pressure: 300 Psi
- Temperature Range : 0°C - 100°C
- Coating : Fusion Bonded Epoxy Coating in Accordance with ANSI/AWWA C550 or Painting upon request
- Grooved Standard : AWWA C606

Specification :

SL No	Parts	Material
1	Body	ASTM A536
2,3 & 4	Plug	Steel
5	Spring	SS 304
6	Hing Ping	SS 304
7	Clapper	SS 304
8	Seat	C95400
9	Clamping Ring	SS 304
10	Locknut	SS 304
11	Facing Seal	EPDM
12	Gasket	EPDM
13	Bolt	SS 304
14	Plug	C95400



Dimensions

(All Dimensions are in mm)

Size	Inc	2"	2 1/2"	3"	4"	5"	6"	8"
	MM	50	65	80	100	125	150	200
B		100	104	128	151	189	220	279
H		131	141	166	195	223	252	303
L		169	181	198	214	248	270	325



CORPORATE OFFICE

LEHRY INSTRUMENTATION & VALVES PVT. LTD.,

“LEHRY CHAMBERS” : New No. 78 / Old No. 51, Sembudoss Street, P.B No. 1506, Parrys, Chennai - 600 001.

Ph: 044 - 25226995, 25225185, 25226187, 25231715, 42163823

Email : info@lehry.com / Website : www.lehryvalves.com / www.lehry.com

MANUFACTURING UNIT

Ahmedabad Plot No :129, B/h. Kashiram Textile Mill, Narol Road, Ahmedabad 382 405

Jalandhar Wariana Ind. Complex, Sangal Sohal Road, Jalandhar - 144 013

WAREHOUSE ADDRESS

Chennai CMDA Iron & Steel Market, 90-B, Sathangadu Village, Thiruvottiyur, Chennai - 600 019

LIVE STUDIO ADDRESS :

Chennai Spencer Plaza, Phase - III, Ground Floor, Shop No. G-132, 768-769, Anna Salai, Chennai, - 600002
Phone : 044 - 48558001 / 48558002

OFFICES

Hyderabad 2nd Floor,#S-13,T.I.E.,Phase-II,Andhra Bank Beside Lane,Balanagar, Hyderabad - 500 037.
Phone : 040 – 64569782/40038409, Email : hyderabad@lehryvalves.com

Vishakapatnam 7-5-1/24 Prince Apartment, Kwality complex, RK Beach Road, Vishakapatnam,
Andhra Pradesh 530003. Phone : +918247834432 Email : inshiya@lehryvalves.com

Kolkata 2/F Temple Street, Kolkata - 700 072
Phone : +919681580886 Email : kolkata@lehryvalves.com

Mumbai 37/38,1st floor Empire Building, Dr.DN Road, Fort, Mumbai-400001
Phone : 02222071055, Email : mumbai@lehryvalves.com

UAE PO Box: 150620 – Industrial Area No: 5 Warehouse No – 1 & 5, Sharjah - 150620
Phone : +971 -504663586. Email : uae@lehry.com

USA / Canada 8815 Woodstock Way, Fishers, IN 46037,
PH: 1-925-337-4013, Email: sakera@lehry.com

SRILANKA Lehry Valves & Automation. 441 / 3A Thimbiriasyaya Road, Longdon Hill,
Colombo – 05, Sri Lanka. PH: 011 – 2583175, Email: zakyu@lehry.com