

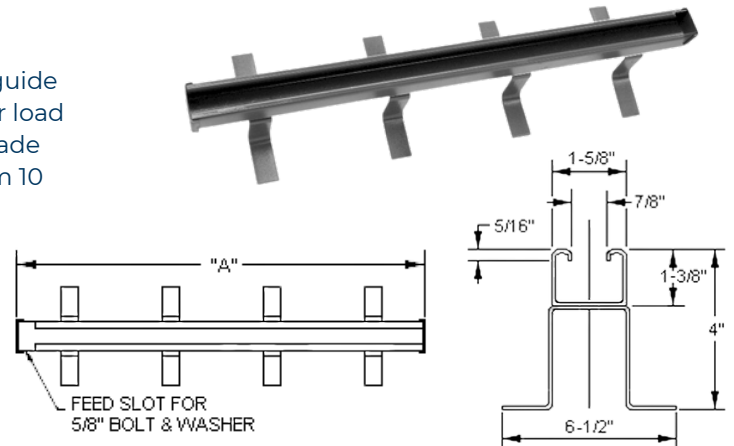


ELEVATOR GUIDE RAIL INSERTS & ACCESSORIES

ELEVATOR GUIDE RAIL INSERTS

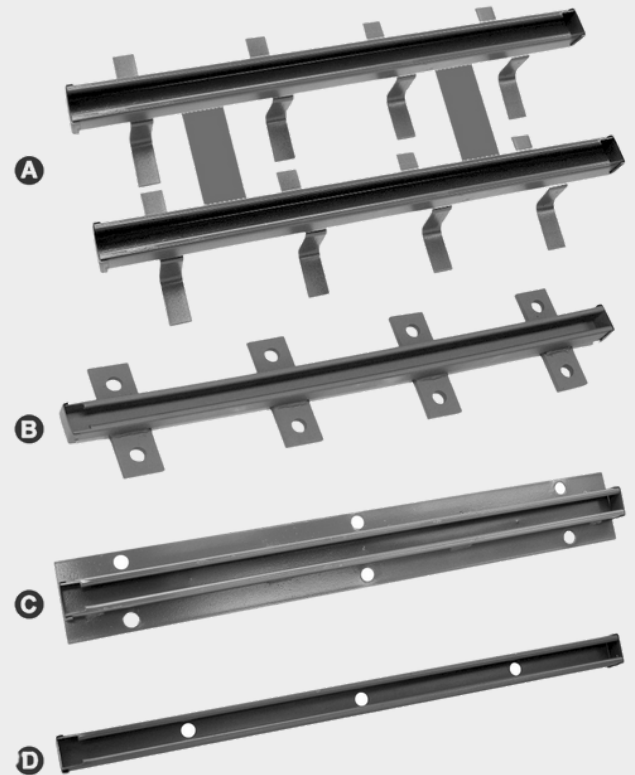
Elevator Guide Rail Inserts designed for maximum strength and guide rail installation ease. Independent test results have proven a shear load of 2,100 lb. and pull out load in excess of 5,000 lb. All inserts are made from 12 Ga. rolled steel, with welded legs and end caps, made from 10 Ga. steel. Additional sizes and designs are available.

- Grey enamel finish
- Insert washers are included (2 per unit)
- 5/8" washers shipped unless otherwise requested
- Insert closure strips Model ICS recommended, not included
- Complete test results available upon request
- Special sizes and designs A, B, C, D can be custom ordered



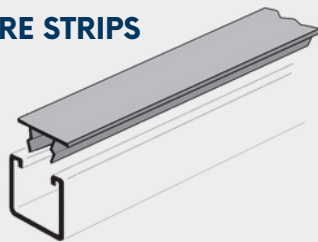
MASONRY WALL INSERTS

Model	Size	Legs	Dim. "A"
GI12	12"	2	12"
GI18	18"	3	18"
GI24	24"	4	24"
GI30	30"	5	30"
GI36	36"	6	36"
GI48	48"	8	48"
GI60	60"	10	60"



RAIL INSERT CLOSURE STRIPS

Model	Length
ICS-12	12"
ICS-18	18"
ICS-24	24"
ICS-30	30"
ICS-36	36"
ICS-48	48"
ICS-60	60"



Elevator Guide Rail Insert Closure Strips, or snap-in covers, keep construction debris out. Exceptionally useful during inserts installation in masonry wall. Dark grey color, PVC, 1-3/8" wide, 1/16" thick.

RAIL INSERT WASHERS



Elevator Guide Rail Insert washers:
Model W01RI012 for use with 1/2" bolts
Model W01RI011 for use with 5/8" bolts

ACCESS ELEVATOR & ESCALATOR SUPPLY



(800) 266-8654



4301 S Valley View Blvd.
Las Vegas, NV 89103