



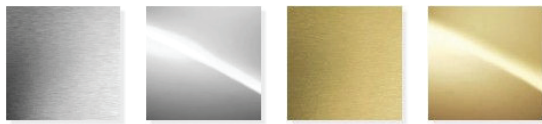
Name: \_\_\_\_\_ Quote/PO: \_\_\_\_\_

Email: \_\_\_\_\_ Phone: \_\_\_\_\_

Company: \_\_\_\_\_ Date: \_\_\_\_\_

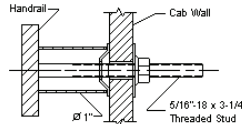
Address: \_\_\_\_\_

**Info**

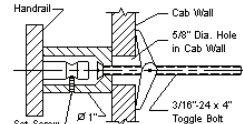


**Stainless steel**

**Bronze (brass)**



**Standard spacer**



**Removable spacer**



**Toggle bolt**

**SnapToggle bolt**

Rectangular handrails are made of stainless steel or bronze solid bar stock, stainless steel tubing aluminum filled at the ends and available with #4 brushed or #8 polished finish. Standard handrails come with 5/16"-18 x 3-1/4"L studs, standard spacers, spacer washers, and required access to back side of cab wall for installation. Removable handrails are designed for installation from inside the cab, and use spacers with set screw. Toggle bolts recommended, can be purchased separately. All spacers, normally one spacer for every 2 feet of handrail, located per customer requirements. Please choose desired options and dimensions on drawing below or choose **different handrail worksheet**.

**Note:** Custom-made orders are non-returnable. Please recheck before submitting.

**Data**

**Material / Finish**

- 1/4" x 1 1/2" S/steel  Brushed  Polished
- 3/8" x 2" S/steel  Brushed  Polished
- 3/8" x 2" Bronze  Brushed  Polished
- 3/8" x 2" S/steel/aluminum  Brushed

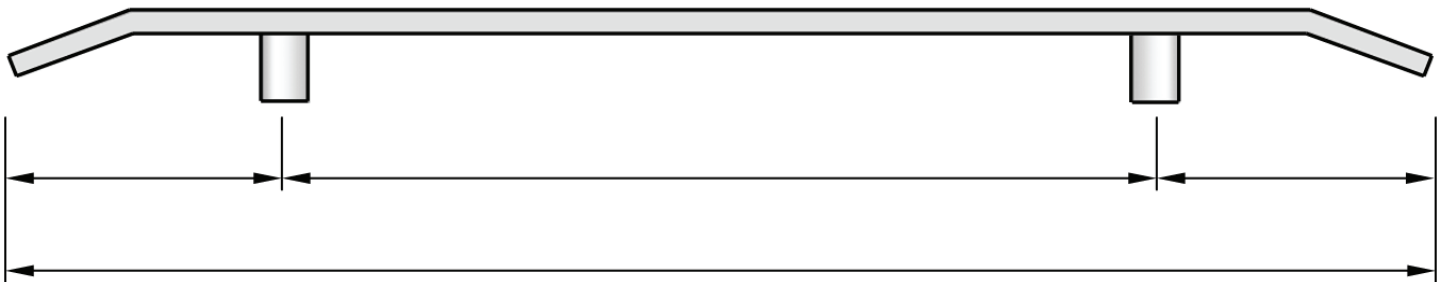
**Spacers**

- Standard, 1-1/2"L x 1"Dia.
- Removable, 1-1/2"L x 1"Dia.
- Removable, 2-1/2"L x 1"Dia.

**Bolts quantity**

- \_\_\_\_\_ Toggle, 3/16"-24 x 4"L
- \_\_\_\_\_ Toggle, 1/4"-20 x 4"L
- \_\_\_\_\_ SnapToggle, 1/4"-20 x 3-5/8"L

**Handrails quantity:** \_\_\_\_\_



2BB Rect

**NOTES**

---



---



---

**ACCESS ELEVATOR & ESCALATOR SUPPLY**



(800) 266-8654



1302 65th Street | 4301 S Valley View Blvd.  
Emeryville, CA 94608 | Las Vegas, NV 89103



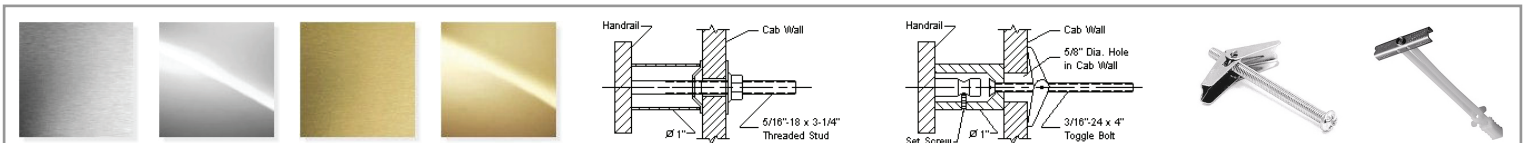
Name: \_\_\_\_\_ Quote/PO: \_\_\_\_\_

Email: \_\_\_\_\_ Phone: \_\_\_\_\_

Company: \_\_\_\_\_ Date: \_\_\_\_\_

Address: \_\_\_\_\_

**Info**



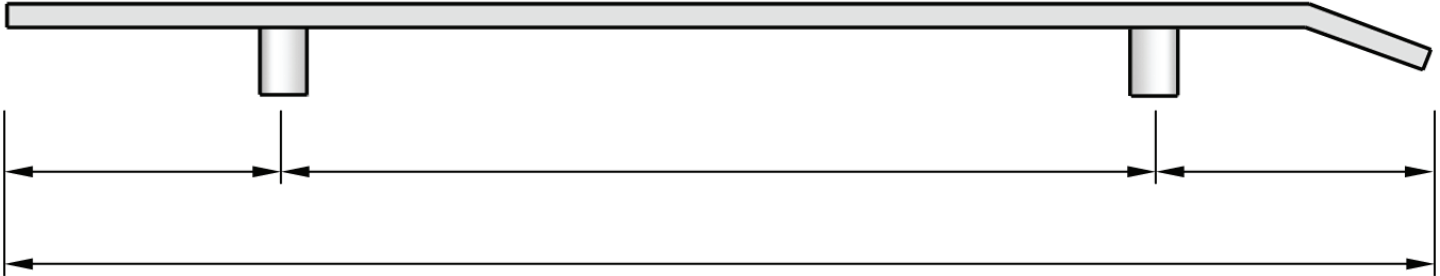
Stainless steel      Bronze (brass)      Standard spacer      Removable spacer      Toggle bolt      SnapToggle bolt

Rectangular handrails are made of stainless steel or bronze solid bar stock, stainless steel tubing aluminum filled at the ends and available with #4 brushed or #8 polished finish. Standard handrails come with 5/16"-18 x 3-1/4"L studs, standard spacers, spacer washers, and required access to back side of cab wall for installation. Removable handrails are designed for installation from inside the cab, and use spacers with set screw. Toggle bolts recommended, can be purchased separately. All spacers, normally one spacer for every 2 feet of handrail, located per customer requirements. Please choose desired options and dimensions on drawing below or choose **different handrail worksheet**.

**Note:** Custom-made orders are non-returnable. Please recheck before submitting.

**Data**

Material / Finish	Spacers	Bolts quantity
1/4" x 1 1/2" S/steel <input type="checkbox"/> Brushed <input type="checkbox"/> Polished	<input type="checkbox"/> Standard, 1-1/2"L x 1"Dia.	_____ Toggle, 3/16"-24 x 4"L
3/8" x 2" S/steel <input type="checkbox"/> Brushed <input type="checkbox"/> Polished	<input type="checkbox"/> Removable, 1-1/2"L x 1"Dia.	_____ Toggle, 1/4"-20 x 4"L
3/8" x 2" Bronze <input type="checkbox"/> Brushed <input type="checkbox"/> Polished	<input type="checkbox"/> Removable, 2-1/2"L x 1"Dia.	_____ SnapToggle, 1/4"-20 x 3-5/8"L
3/8" x 2" S/steel/aluminum <input type="checkbox"/> Brushed	<b>Handrails quantity:</b> _____	



2SB Rect

**NOTES**

---



---



---



Name: \_\_\_\_\_ Quote/PO: \_\_\_\_\_

Email: \_\_\_\_\_ Phone: \_\_\_\_\_

Company: \_\_\_\_\_ Date: \_\_\_\_\_

Address: \_\_\_\_\_

**Info**

**Stainless steel**      **Bronze (brass)**

**Standard spacer**      **Removable spacer**

**Toggle bolt**      **SnapToggle bolt**

Rectangular handrails are made of stainless steel or bronze solid bar stock, stainless steel tubing aluminum filled at the ends and available with #4 brushed or #8 polished finish. Standard handrails come with 5/16"-18 x 3-1/4"L studs, standard spacers, spacer washers, and required access to back side of cab wall for installation. Removable handrails are designed for installation from inside the cab, and use spacers with set screw. Toggle bolts recommended, can be purchased separately. All spacers, normally one spacer for every 2 feet of handrail, located per customer requirements. Please choose desired options and dimensions on drawing below or choose **different handrail worksheet**.

**Note:** Custom-made orders are non-returnable. Please recheck before submitting.

**Data**

Material / Finish	Spacers	Bolts quantity
1/4" x 1 1/2" S/steel <input type="checkbox"/> Brushed <input type="checkbox"/> Polished	<input type="checkbox"/> Standard, 1-1/2"L x 1"Dia.	_____ Toggle, 3/16"-24 x 4"L
3/8" x 2" S/steel <input type="checkbox"/> Brushed <input type="checkbox"/> Polished	<input type="checkbox"/> Removable, 1-1/2"L x 1"Dia.	_____ Toggle, 1/4"-20 x 4"L
3/8" x 2" Bronze <input type="checkbox"/> Brushed <input type="checkbox"/> Polished	<input type="checkbox"/> Removable, 2-1/2"L x 1"Dia.	_____ SnapToggle, 1/4"-20 x 3-5/8"L
3/8" x 2" S/steel/aluminum <input type="checkbox"/> Brushed	<b>Handrails quantity:</b> _____	

2SS Rect

**NOTES**

---



---



---

**ACCESS ELEVATOR & ESCALATOR SUPPLY**

(800) 266-8654

1302 65th Street  
Emeryville, CA 94608 | 4301 S Valley View Blvd.  
Las Vegas, NV 89103



Name: \_\_\_\_\_ Quote/PO: \_\_\_\_\_

Email: \_\_\_\_\_ Phone: \_\_\_\_\_

Company: \_\_\_\_\_ Date: \_\_\_\_\_

Address: \_\_\_\_\_

**Info**

**Stainless steel**      **Bronze (brass)**      **Standard spacer**      **Removable spacer**      **Toggle bolt**      **SnapToggle bolt**

Rectangular handrails are made of stainless steel or bronze solid bar stock, stainless steel tubing aluminum filled at the ends and available with #4 brushed or #8 polished finish. Standard handrails come with 5/16"-18 x 3-1/4"L studs, standard spacers, spacer washers, and required access to back side of cab wall for installation. Removable handrails are designed for installation from inside the cab, and use spacers with set screw. Toggle bolts recommended, can be purchased separately. All spacers, normally one spacer for every 2 feet of handrail, located per customer requirements. Please choose desired options and dimensions on drawing below or choose **different handrail worksheet**.

**Note:** Custom-made orders are non-returnable. Please recheck before submitting.

**Data**

Material / Finish	Spacers	Bolts quantity
1/4" x 1 1/2" S/steel <input type="checkbox"/> Brushed <input type="checkbox"/> Polished	<input type="checkbox"/> Standard, 1-1/2"L x 1"Dia.	_____ Toggle, 3/16"-24 x 4"L
3/8" x 2" S/steel <input type="checkbox"/> Brushed <input type="checkbox"/> Polished	<input type="checkbox"/> Removable, 1-1/2"L x 1"Dia.	_____ Toggle, 1/4"-20 x 4"L
3/8" x 2" Bronze <input type="checkbox"/> Brushed <input type="checkbox"/> Polished	<input type="checkbox"/> Removable, 2-1/2"L x 1"Dia.	_____ SnapToggle, 1/4"-20 x 3-5/8"L
3/8" x 2" S/steel/aluminum <input type="checkbox"/> Brushed	<b>Handrails quantity:</b> _____	

3BB Rect

**NOTES**

---



---



---

**ACCESS ELEVATOR & ESCALATOR SUPPLY**

(800) 266-8654

1302 65th Street | 4301 S Valley View Blvd.  
Emeryville, CA 94608 | Las Vegas, NV 89103





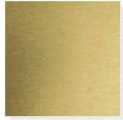

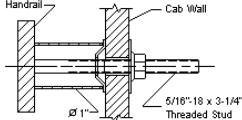
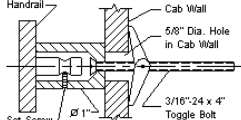


Name: \_\_\_\_\_ Quote/PO: \_\_\_\_\_

Email: \_\_\_\_\_ Phone: \_\_\_\_\_

Company: \_\_\_\_\_ Date: \_\_\_\_\_

Address: \_\_\_\_\_

**Info**

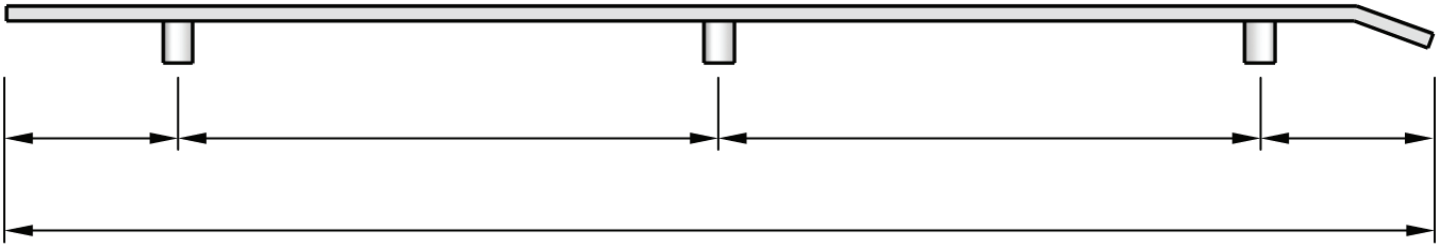
							
<b>Stainless steel</b>		<b>Bronze (brass)</b>		<b>Standard spacer</b>	<b>Removable spacer</b>	<b>Toggle bolt</b>	<b>SnapToggle bolt</b>

Rectangular handrails are made of stainless steel or bronze solid bar stock, stainless steel tubing aluminum filled at the ends and available with #4 brushed or #8 polished finish. Standard handrails come with 5/16"-18 x 3-1/4"L studs, standard spacers, spacer washers, and required access to back side of cab wall for installation. Removable handrails are designed for installation from inside the cab, and use spacers with set screw. Toggle bolts recommended, can be purchased separately. All spacers, normally one spacer for every 2 feet of handrail, located per customer requirements. Please choose desired options and dimensions on drawing below or choose **different handrail worksheet**.

**Note:** Custom-made orders are non-returnable. Please recheck before submitting.

**Data**

Material / Finish	Spacers	Bolts quantity
1/4" x 1 1/2" S/steel <input type="checkbox"/> Brushed <input type="checkbox"/> Polished	<input type="checkbox"/> Standard, 1-1/2"L x 1"Dia.	_____ Toggle, 3/16"-24 x 4"L
3/8" x 2" S/steel <input type="checkbox"/> Brushed <input type="checkbox"/> Polished	<input type="checkbox"/> Removable, 1-1/2"L x 1"Dia.	_____ Toggle, 1/4"-20 x 4"L
3/8" x 2" Bronze <input type="checkbox"/> Brushed <input type="checkbox"/> Polished	<input type="checkbox"/> Removable, 2-1/2"L x 1"Dia.	_____ SnapToggle, 1/4"-20 x 3-5/8"L
3/8" x 2" S/steel/aluminum <input type="checkbox"/> Brushed	<b>Handrails quantity:</b> _____	



3SB Rect

**NOTES**

---



---



---

**ACCESS ELEVATOR & ESCALATOR SUPPLY**



(800) 266-8654



1302 65th Street  
Emeryville, CA 94608

4301 S Valley View Blvd.  
Las Vegas, NV 89103



Name: \_\_\_\_\_ Quote/PO: \_\_\_\_\_

Email: \_\_\_\_\_ Phone: \_\_\_\_\_

Company: \_\_\_\_\_ Date: \_\_\_\_\_

Address: \_\_\_\_\_

**Info**

**Stainless steel**      **Bronze (brass)**

**Standard spacer**      **Removable spacer**      **Toggle bolt**      **SnapToggle bolt**

Rectangular handrails are made of stainless steel or bronze solid bar stock, stainless steel tubing aluminum filled at the ends and available with #4 brushed or #8 polished finish. Standard handrails come with 5/16"-18 x 3-1/4"L studs, standard spacers, spacer washers, and required access to back side of cab wall for installation. Removable handrails are designed for installation from inside the cab, and use spacers with set screw. Toggle bolts recommended, can be purchased separately. All spacers, normally one spacer for every 2 feet of handrail, located per customer requirements. Please choose desired options and dimensions on drawing below or choose **different handrail worksheet**.

**Note:** Custom-made orders are non-returnable. Please recheck before submitting.

**Data**

Material / Finish	Spacers	Bolts quantity
1/4" x 1 1/2" S/steel <input type="checkbox"/> Brushed <input type="checkbox"/> Polished	<input type="checkbox"/> Standard, 1-1/2"L x 1"Dia.	_____ Toggle, 3/16"-24 x 4"L
3/8" x 2" S/steel <input type="checkbox"/> Brushed <input type="checkbox"/> Polished	<input type="checkbox"/> Removable, 1-1/2"L x 1"Dia.	_____ Toggle, 1/4"-20 x 4"L
3/8" x 2" Bronze <input type="checkbox"/> Brushed <input type="checkbox"/> Polished	<input type="checkbox"/> Removable, 2-1/2"L x 1"Dia.	_____ SnapToggle, 1/4"-20 x 3-5/8"L
3/8" x 2" S/steel/aluminum <input type="checkbox"/> Brushed	<b>Handrails quantity:</b> _____	

3SS Rect

**NOTES**

---



---



---

**ACCESS ELEVATOR & ESCALATOR SUPPLY**

(800) 266-8654

1302 65th Street | 4301 S Valley View Blvd.  
Emeryville, CA 94608 | Las Vegas, NV 89103



Name: \_\_\_\_\_ Quote/PO: \_\_\_\_\_

Email: \_\_\_\_\_ Phone: \_\_\_\_\_

Company: \_\_\_\_\_ Date: \_\_\_\_\_

Address: \_\_\_\_\_

**Info**

Rectangular handrails are made of stainless steel or bronze solid bar stock, stainless steel tubing aluminum filled at the ends and available with #4 brushed or #8 polished finish. Standard handrails come with 5/16"-18 x 3-1/4"L studs, standard spacers, spacer washers, and required access to back side of cab wall for installation. Removable handrails are designed for installation from inside the cab, and use spacers with set screw. Toggle bolts recommended, can be purchased separately. All spacers, normally one spacer for every 2 feet of handrail, located per customer requirements. Please choose desired options and dimensions on drawing below or choose **different handrail worksheet**.

**Note:** Custom-made orders are non-returnable. Please recheck before submitting.

**Data**

Material / Finish	Spacers	Bolts quantity
1/4" x 1 1/2" S/steel <input type="checkbox"/> Brushed <input type="checkbox"/> Polished	<input type="checkbox"/> Standard, 1-1/2"L x 1"Dia.	_____ Toggle, 3/16"-24 x 4"L
3/8" x 2" S/steel <input type="checkbox"/> Brushed <input type="checkbox"/> Polished	<input type="checkbox"/> Removable, 1-1/2"L x 1"Dia.	_____ Toggle, 1/4"-20 x 4"L
3/8" x 2" Bronze <input type="checkbox"/> Brushed <input type="checkbox"/> Polished	<input type="checkbox"/> Removable, 2-1/2"L x 1"Dia.	_____ SnapToggle, 1/4"-20 x 3-5/8"L
3/8" x 2" S/steel/aluminum <input type="checkbox"/> Brushed	<b>Handrails quantity:</b> _____	

4BB Rect

**NOTES**

\_\_\_\_\_  
 \_\_\_\_\_  
 \_\_\_\_\_

**ACCESS ELEVATOR & ESCALATOR SUPPLY**

(800) 266-8654

1302 65th Street | 4301 S Valley View Blvd.  
 Emeryville, CA 94608 | Las Vegas, NV 89103



Name: \_\_\_\_\_ Quote/PO: \_\_\_\_\_

Email: \_\_\_\_\_ Phone: \_\_\_\_\_

Company: \_\_\_\_\_ Date: \_\_\_\_\_

Address: \_\_\_\_\_

**Info**

**Stainless steel**      **Bronze (brass)**      **Standard spacer**      **Removable spacer**      **Toggle bolt**      **SnapToggle bolt**

Rectangular handrails are made of stainless steel or bronze solid bar stock, stainless steel tubing aluminum filled at the ends and available with #4 brushed or #8 polished finish. Standard handrails come with 5/16"-18 x 3-1/4"L studs, standard spacers, spacer washers, and required access to back side of cab wall for installation. Removable handrails are designed for installation from inside the cab, and use spacers with set screw. Toggle bolts recommended, can be purchased separately. All spacers, normally one spacer for every 2 feet of handrail, located per customer requirements. Please choose desired options and dimensions on drawing below or choose **different handrail worksheet**.

**Note:** Custom-made orders are non-returnable. Please recheck before submitting.

**Data**

Material / Finish	Spacers	Bolts quantity
1/4" x 1 1/2" S/steel <input type="checkbox"/> Brushed <input type="checkbox"/> Polished	<input type="checkbox"/> Standard, 1-1/2"L x 1"Dia.	____ Toggle, 3/16"-24 x 4"L
3/8" x 2" S/steel <input type="checkbox"/> Brushed <input type="checkbox"/> Polished	<input type="checkbox"/> Removable, 1-1/2"L x 1"Dia.	____ Toggle, 1/4"-20 x 4"L
3/8" x 2" Bronze <input type="checkbox"/> Brushed <input type="checkbox"/> Polished	<input type="checkbox"/> Removable, 2-1/2"L x 1"Dia.	____ SnapToggle, 1/4"-20 x 3-5/8"L
3/8" x 2" S/steel/aluminum <input type="checkbox"/> Brushed	<b>Handrails quantity:</b> _____	

4SB Rect

**NOTES**

---



---



---

**ACCESS ELEVATOR & ESCALATOR SUPPLY**

(800) 266-8654

1302 65th Street | 4301 S Valley View Blvd.  
Emeryville, CA 94608 | Las Vegas, NV 89103









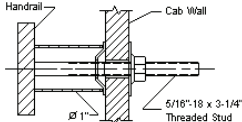
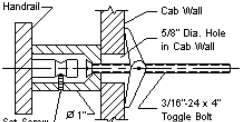


Name: \_\_\_\_\_ Quote/PO: \_\_\_\_\_

Email: \_\_\_\_\_ Phone: \_\_\_\_\_

Company: \_\_\_\_\_ Date: \_\_\_\_\_

Address: \_\_\_\_\_

**Info**

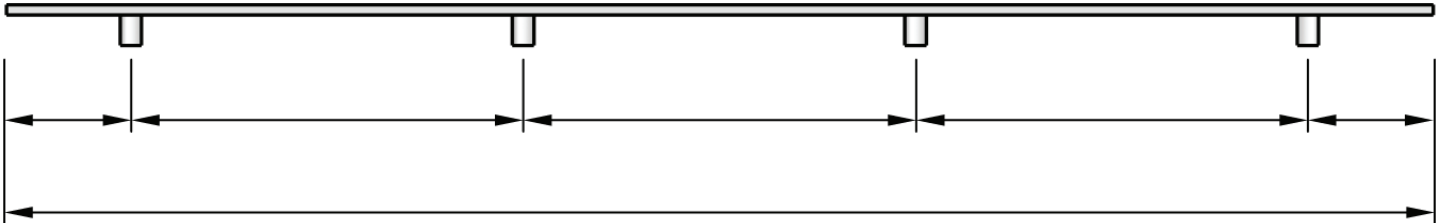
							
<b>Stainless steel</b>		<b>Bronze (brass)</b>		<b>Standard spacer</b>	<b>Removable spacer</b>	<b>Toggle bolt</b>	<b>SnapToggle bolt</b>

Rectangular handrails are made of stainless steel or bronze solid bar stock, stainless steel tubing aluminum filled at the ends and available with #4 brushed or #8 polished finish. Standard handrails come with 5/16"-18 x 3-1/4"L studs, standard spacers, spacer washers, and required access to back side of cab wall for installation. Removable handrails are designed for installation from inside the cab, and use spacers with set screw. Toggle bolts recommended, can be purchased separately. All spacers, normally one spacer for every 2 feet of handrail, located per customer requirements. Please choose desired options and dimensions on drawing below or choose **different handrail worksheet**.

**Note:** Custom-made orders are non-returnable. Please recheck before submitting.

**Data**

Material / Finish	Spacers	Bolts quantity
1/4" x 1 1/2" S/steel <input type="checkbox"/> Brushed <input type="checkbox"/> Polished	<input type="checkbox"/> Standard, 1-1/2"L x 1"Dia.	____ Toggle, 3/16"-24 x 4"L
3/8" x 2" S/steel <input type="checkbox"/> Brushed <input type="checkbox"/> Polished	<input type="checkbox"/> Removable, 1-1/2"L x 1"Dia.	____ Toggle, 1/4"-20 x 4"L
3/8" x 2" Bronze <input type="checkbox"/> Brushed <input type="checkbox"/> Polished	<input type="checkbox"/> Removable, 2-1/2"L x 1"Dia.	____ SnapToggle, 1/4"-20 x 3-5/8"L
3/8" x 2" S/steel/aluminum <input type="checkbox"/> Brushed	<b>Handrails quantity:</b> _____	



4SS Rect

**NOTES**

---



---



---







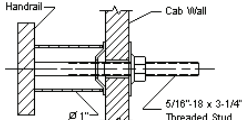
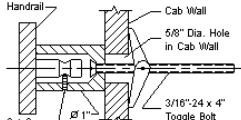


Name: \_\_\_\_\_ Quote/PO: \_\_\_\_\_

Email: \_\_\_\_\_ Phone: \_\_\_\_\_

Company: \_\_\_\_\_ Date: \_\_\_\_\_

Address: \_\_\_\_\_

**Info**

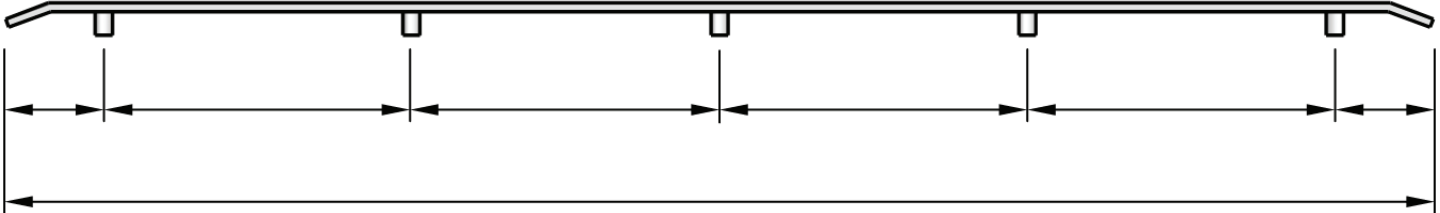
							
<b>Stainless steel</b>		<b>Bronze (brass)</b>		<b>Standard spacer</b>	<b>Removable spacer</b>	<b>Toggle bolt</b>	<b>SnapToggle bolt</b>

Rectangular handrails are made of stainless steel or bronze solid bar stock, stainless steel tubing aluminum filled at the ends and available with #4 brushed or #8 polished finish. Standard handrails come with 5/16"-18 x 3-1/4"L studs, standard spacers, spacer washers, and required access to back side of cab wall for installation. Removable handrails are designed for installation from inside the cab, and use spacers with set screw. Toggle bolts recommended, can be purchased separately. All spacers, normally one spacer for every 2 feet of handrail, located per customer requirements. Please choose desired options and dimensions on drawing below or choose **different handrail worksheet**.

**Note:** Custom-made orders are non-returnable. Please recheck before submitting.

**Data**

Material / Finish	Spacers	Bolts quantity
1/4" x 1 1/2" S/steel <input type="checkbox"/> Brushed <input type="checkbox"/> Polished	<input type="checkbox"/> Standard, 1-1/2"L x 1"Dia.	____ Toggle, 3/16"-24 x 4"L
3/8" x 2" S/steel <input type="checkbox"/> Brushed <input type="checkbox"/> Polished	<input type="checkbox"/> Removable, 1-1/2"L x 1"Dia.	____ Toggle, 1/4"-20 x 4"L
3/8" x 2" Bronze <input type="checkbox"/> Brushed <input type="checkbox"/> Polished	<input type="checkbox"/> Removable, 2-1/2"L x 1"Dia.	____ SnapToggle, 1/4"-20 x 3-5/8"L
3/8" x 2" S/steel/aluminum <input type="checkbox"/> Brushed	<b>Handrails quantity:</b> _____	



5BB Rect

**NOTES**

---



---



---

**ACCESS ELEVATOR & ESCALATOR SUPPLY**



(800) 266-8654



1302 65th Street  
Emeryville, CA 94608

4301 S Valley View Blvd.  
Las Vegas, NV 89103





Name: \_\_\_\_\_ Quote/PO: \_\_\_\_\_

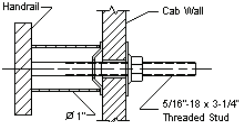
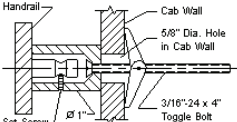


Email: \_\_\_\_\_ Phone: \_\_\_\_\_

Company: \_\_\_\_\_ Date: \_\_\_\_\_

Address: \_\_\_\_\_

**Info**

 **Stainless steel**
 **Bronze (brass)**

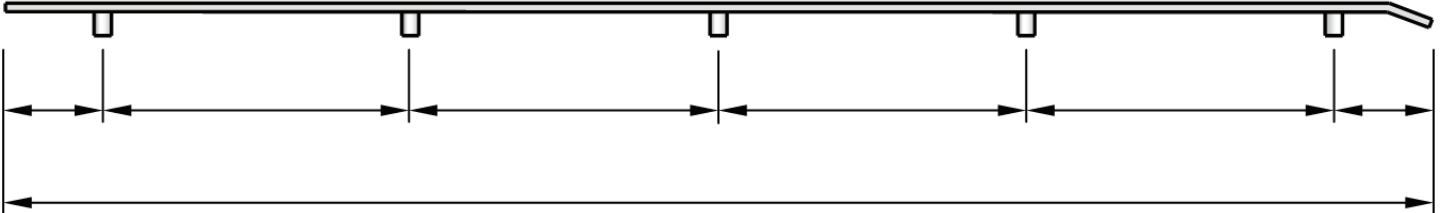
 **Standard spacer**
 **Removable spacer**
 **Toggle bolt**
 **SnapToggle bolt**

Rectangular handrails are made of stainless steel or bronze solid bar stock, stainless steel tubing aluminum filled at the ends and available with #4 brushed or #8 polished finish. Standard handrails come with 5/16"-18 x 3-1/4"L studs, standard spacers, spacer washers, and required access to back side of cab wall for installation. Removable handrails are designed for installation from inside the cab, and use spacers with set screw. Toggle bolts recommended, can be purchased separately. All spacers, normally one spacer for every 2 feet of handrail, located per customer requirements. Please choose desired options and dimensions on drawing below or choose **different handrail worksheet**.

**Note:** Custom-made orders are non-returnable. Please recheck before submitting.

**Data**

Material / Finish	Spacers	Bolts quantity
1/4" x 1 1/2" S/steel <input type="checkbox"/> Brushed <input type="checkbox"/> Polished	<input type="checkbox"/> Standard, 1-1/2"L x 1"Dia.	____ Toggle, 3/16"-24 x 4"L
3/8" x 2" S/steel <input type="checkbox"/> Brushed <input type="checkbox"/> Polished	<input type="checkbox"/> Removable, 1-1/2"L x 1"Dia.	____ Toggle, 1/4"-20 x 4"L
3/8" x 2" Bronze <input type="checkbox"/> Brushed <input type="checkbox"/> Polished	<input type="checkbox"/> Removable, 2-1/2"L x 1"Dia.	____ SnapToggle, 1/4"-20 x 3-5/8"L
3/8" x 2" S/steel/aluminum <input type="checkbox"/> Brushed	<b>Handrails quantity:</b> _____	



5SB Rect

**NOTES**

---




---



---

**ACCESS ELEVATOR & ESCALATOR SUPPLY**

 (800) 266-8654

 1302 65th Street  
Emeryville, CA 94608 | 4301 S Valley View Blvd.  
Las Vegas, NV 89103



Name: \_\_\_\_\_ Quote/PO: \_\_\_\_\_

Email: \_\_\_\_\_ Phone: \_\_\_\_\_

Company: \_\_\_\_\_ Date: \_\_\_\_\_

Address: \_\_\_\_\_

**Info**

Stainless steel      Bronze (brass)      Standard spacer      Removable spacer      Toggle bolt      SnapToggle bolt

Rectangular handrails are made of stainless steel or bronze solid bar stock, stainless steel tubing aluminum filled at the ends and available with #4 brushed or #8 polished finish. Standard handrails come with 5/16"-18 x 3-1/4"L studs, standard spacers, spacer washers, and required access to back side of cab wall for installation. Removable handrails are designed for installation from inside the cab, and use spacers with set screw. Toggle bolts recommended, can be purchased separately. All spacers, normally one spacer for every 2 feet of handrail, located per customer requirements. Please choose desired options and dimensions on drawing below or choose **different handrail worksheet**.

**Note:** Custom-made orders are non-returnable. Please recheck before submitting.

**Data**

Material / Finish	Spacers	Bolts quantity
1/4" x 1 1/2" S/steel <input type="checkbox"/> Brushed <input type="checkbox"/> Polished	<input type="checkbox"/> Standard, 1-1/2"L x 1"Dia.	____ Toggle, 3/16"-24 x 4"L
3/8" x 2" S/steel <input type="checkbox"/> Brushed <input type="checkbox"/> Polished	<input type="checkbox"/> Removable, 1-1/2"L x 1"Dia.	____ Toggle, 1/4"-20 x 4"L
3/8" x 2" Bronze <input type="checkbox"/> Brushed <input type="checkbox"/> Polished	<input type="checkbox"/> Removable, 2-1/2"L x 1"Dia.	____ SnapToggle, 1/4"-20 x 3-5/8"L
3/8" x 2" S/steel/aluminum <input type="checkbox"/> Brushed	<b>Handrails quantity:</b> _____	

5SS Rect

**NOTES**

---



---



---

**ACCESS ELEVATOR & ESCALATOR SUPPLY**

(800) 266-8654

1302 65th Street  
Emeryville, CA 94608 | 4301 S Valley View Blvd.  
Las Vegas, NV 89103