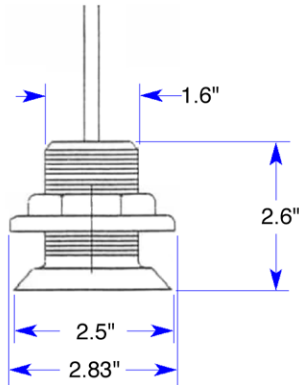


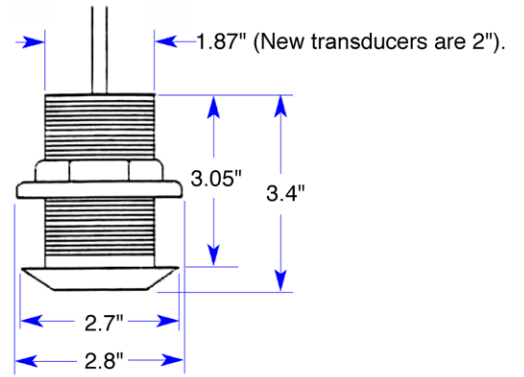
Thru-hull Dimensions

1 5/8" hole with beveled flange.



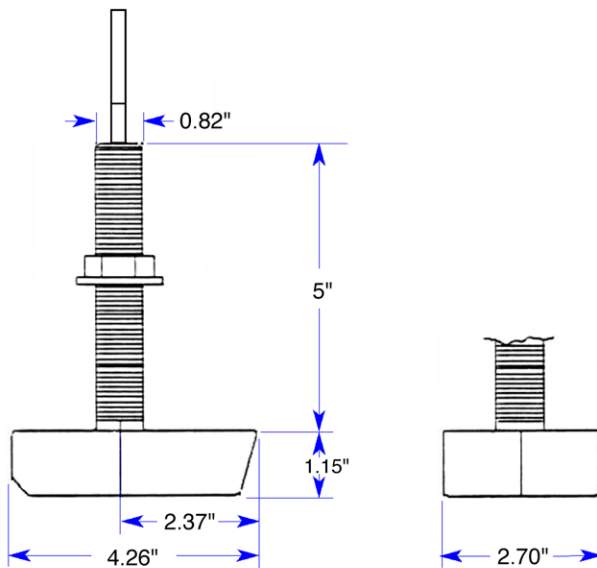
FLUSH NYLON

- M17230 for SL172
- M1533 Thru-hull
- 1-2400.100 (6 PIN CONXALL).

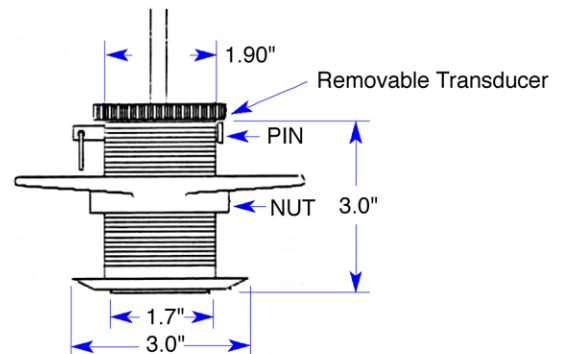


MUSHROOM NYLON

- 1-2401.100 (6 PIN CONXALL)
- M17285 for SL172

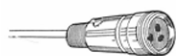


BOAT SHAPED BRASS CONFIGURATION 2-2404.100

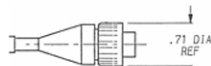


EXTRACTABLE MUSHROOM NYLON

- M17286 (RCA)
- 1-2403.100 for 6 pin connector
2" straight hole cut out.



3-Pin Old Style



Conxall Connector



Phono Plug