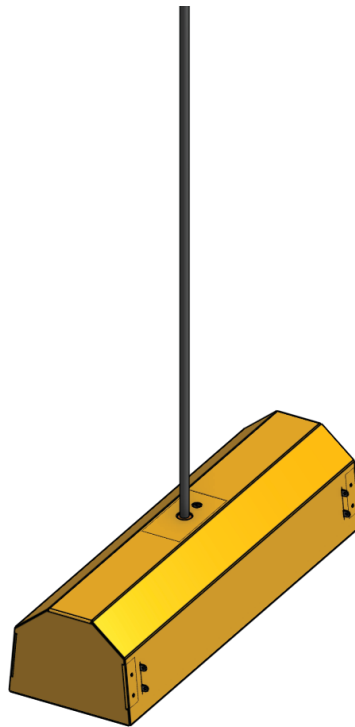


ANIMAL LAMPS LLC

OPERATIONS MANUAL

AL16



Important Safety Instructions	3
Installation Instructions	4
Specifications	5
Usage	6
Warranty	7

Important Safety Instructions

READ ALL INSTRUCTIONS BEFORE USING THIS HEATER

The AL16 is a radiant supplemental heating device.

INTENDED USE: This product is intended to provide radiant heat to newborn piglets in a farrowing crate. It is only intended for this use. The manufacturer assumes no responsibility for damage or injury due to unauthorized use or product modification. **Failure to follow these directions will void the product warranty.**

All precautions normally taken with a supplemental heating device must also be respected for the AL16, such as:

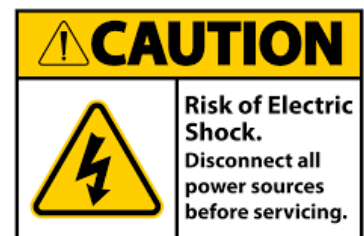
1 - Do not enclose or otherwise cover the AL16. The AL16 is designed to provide necessary warmth while open to the environment. If you enclose or otherwise cover the AL16 and interfere with ambient air cooling, the device can overheat and may be damaged and/or could pose a fire or shock hazard depending on its surroundings.



2 - The AL16 outer shroud can get hot during operation. Allow 30 minutes after power off before handling, or be aware that it may be uncomfortable to hold without gloves, and if you dropped it, potentially causing the heating element to come into contact with something, which could result in damage or injury.



3 - WARNING: The heating element gets very hot. Avoid touching the heating element when in operation, and prevent the heating element from contacting anything else while in operation.



4 - Turn off power before washing. The AL16 is designed to be power washed between farrowing cycles, but to reduce the risk of shock and to extend the life of the unit, ensure power is disabled and the device is cool before handling or washing. Sudden changes in temperature can stress the heating heating element.

Installation Instructions

Hang the AL16 approximately 16 inches or 40 cm above the crate floor.

The AL16 can be hung using the provided power cord. Inspect the cord regularly for wear and tear. If the insulation is damaged, contact us for a replacement unit.



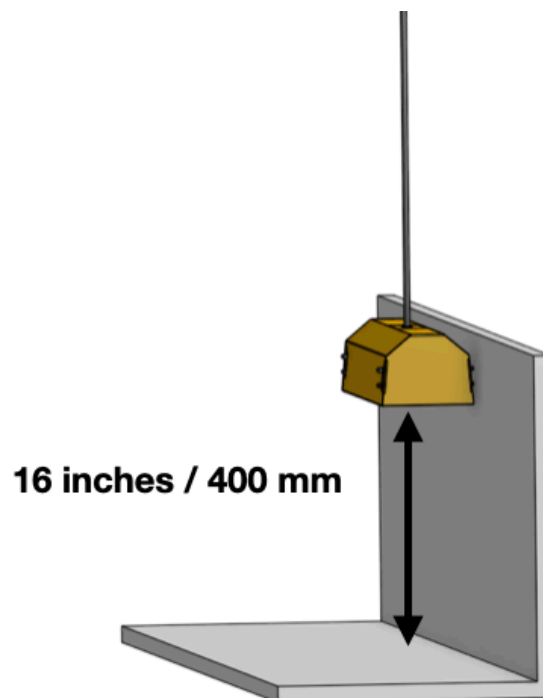
Do not use an extension cord to provide power to the heater.

Ensure that air is allowed to flow on all sides. It can be placed against a PVC divider; small standoffs will keep the heater from fully contacting the wall.

The heater can also be hard wired directly by a licensed electrician.



DANGER: Ensure that the heater can never fall directly onto the animals.



Specifications

120 VAC / 150 Watts

Upon initial turn on, the AL16 may draw up to 150 watts of energy (1.25 A). As it heats up, its power consumption may drop to as low as 135 watts (1.125 A).

Heaters	Total Current Usage (amps)	Total Power Consumption (W)
1	1.25	150
2	2.5	300
3	3.75	450
4	5	600
5	6.25	750
6	7.5	900
7	8.75	1050
8	10	1200
9	11.25	1350
10	12.5	1500
11	13.75	1650
12	15	1800
13	16.25	1950
14	17.5	2100
15	18.75	2250
16	20	2400

Usage

The AL16 is designed to be used throughout the farrowing process.

Its intensity can be adjusted by adjusting the height of the unit from the piglets.

When first turned on, the LED lights will illuminate the area under the heater indicating that power is on to the unit.

The red indicator light on the top of the unit will remain off until the unit reaches an internal temperature of 104 degrees, which takes about 10 minutes.

The unit's internal temperature will continue to rise for another 10 minutes.

Wait 20-30 minutes after turning on the unit before testing its heat output in order for the unit to stabilize in the environment.



Avoid significant draughts like those generated by fans from directly cooling the heater. Heat output will be significantly reduced if the heater cooled by a fan.

Warranty

The AL16 is covered by a 1 year warranty against any defect. If anything goes wrong with your heater, contact Animal Lamps to coordinate a replacement heater. Your safety and production is our number one priority.

Contact us for information and pricing about 3 year and 5 year warranty options.