

SUBMITTAL: ACADEMY™ ALUMINUM FIRE EXTINGUISHER CABINETS

The Academy Series Features Aluminum Trim and Door, with 10 Door Styles & Optional Anodized Colors.

Door & Trim Construction: No 180 clear anodized aluminum. Flush cabinet doors with a 5/8" door stop are attached by a continuous hinge and equipped with zinc-plated handle and roller catch. All models have 1-3/4" wide trim on frame and 1-1/4" trim on doors with glazing. Rolled edge models are constructed of mechanically-joined extrusions, except for models 1827 and 1027 which are die formed. *Die formed corners provide an attractive, rounded edge - unique to the JL line of cabinets!*

Trim Style & Depth: Recessed 3/8" flat trim, *Semi Recessed* - 1-1/4", 1-1/2" Square Edge or 2-1/2", 3", 4", 4-1/2" Rolled Edge (4" has recessed flush pull). *Surface-mount* models have a square edge.

Tub: The tub is constructed of cold rolled steel with white powder-coat finish standard. Surface-mounted models have aluminum tub.

Fire-Rated Option Available: Yes - See separate Submittal Form.

STEP 1: SELECT MODEL NUMBER AND QUANTITY ON CHART (refer to chart on pg 2)

- A. Determine Trim Style according to wall depth.
- B. Determine Tub I.D. according to size most suited for extinguisher and wall opening.

STEP 2: SELECT DOOR STYLE WITH HANDLE

Check one box below Examples on Page 2

- | | |
|---|---|
| <input type="checkbox"/> F Full Glazing | <input type="checkbox"/> L22 Solid with SAF-T-LOK™ |
| <input type="checkbox"/> G Full Glazing with SAF-T-LOK™ | <input type="checkbox"/> L24 Sold with Cylinder Lock - No Handle |
| <input type="checkbox"/> D Horizontal Duo Panel | <input type="checkbox"/> V Vertical Duo |
| <input type="checkbox"/> E Horizontal Dual Panel with SAF-T-LOK™ | <input type="checkbox"/> W Vertical Duo with SAF-T-LOK™ |
| <input type="checkbox"/> S21 Solid Door | <input type="checkbox"/> B Solid with 2" x 4" View Window & SAF-T-LOK™ |

STEP 3: SELECT DOOR GLAZING

- | | | |
|--|---|---|
| <input type="checkbox"/> 10 Clear Acrylic | <input type="checkbox"/> 15 Bronze Acrylic | <input type="checkbox"/> 17 Clear Tempered Glass |
| <input type="checkbox"/> 13 Clear Wire Glass with Safety Film | <input type="checkbox"/> 16 Gray Acrylic | <input type="checkbox"/> 18 Laminated Safety Glass |

STEP 4: OPTIONAL FEATURES AT ADDED COST (SELECT ANY)

- | | | | |
|---|---|---|---|
| <input type="checkbox"/> Optional Tub Color: ___ Black ___ Red | <input type="checkbox"/> Black Vertical FE Letters LDCVBFE | <input type="checkbox"/> Black Vertical Decal LDVBFE | <input type="checkbox"/> (CA) Commander Alarm |
| <input type="checkbox"/> Futura "Fire" Pull ___ Mill Alum ___ Red ___ White | <input type="checkbox"/> Red Vertical FE Letters LDCVRF | <input type="checkbox"/> Red Vertical Decal LDVRF | <input type="checkbox"/> (BA) Brigadier Alarm |
| <input type="checkbox"/> Flush Pull Handle (PRH) | <input type="checkbox"/> White Vertical FE Letters LDCVWFE | <input type="checkbox"/> White Vertical Decal LDVWFE | <input type="checkbox"/> (SA) Strobe Alarm (Surface mount models) |
| <input type="checkbox"/> Polished Chrome Handle (PUCH) | <input type="checkbox"/> Black Horizontal FE Letters LDCHBFE | <input type="checkbox"/> Black Horizontal Decal LDHBFE | <input type="checkbox"/> Etched/Engraved Lettering in Glass or Metal - Attach Submittal |
| <input type="checkbox"/> Aluminum Tub - Clear Anodized | <input type="checkbox"/> Red Horizontal FE Letters LDCHRFE | <input type="checkbox"/> Red Horizontal Decal LDHRFE | <input type="checkbox"/> Powder Coat Paint ___ White ___ Bronze ___ Other Code |
| <input type="checkbox"/> Dark Bronze Anodized Finish (pulls to match) | <input type="checkbox"/> White Horizontal FE Letters LDCHWFE | <input type="checkbox"/> White Horizontal Decal LDHWFE | <input type="checkbox"/> See Separate Submittal for Rolled Surface Mount. |

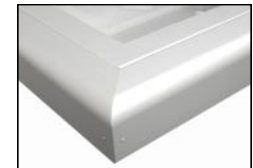
For more information on handles & pulls, decals/die cuts & wall signs, and alarm options see other submittals on our website.




8125D10
Flat Trim

1827G10
3" Rolled Trim
Semi-Recessed
with Saf-T-Lok™

Models 1027 & 1827
have Unique Die
Formed Corners!

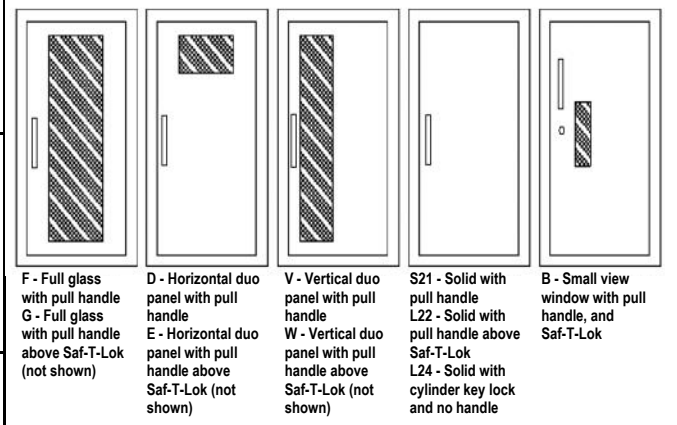
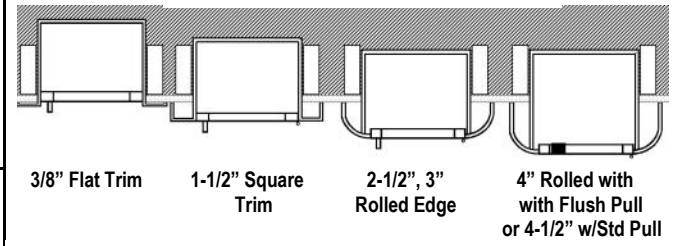
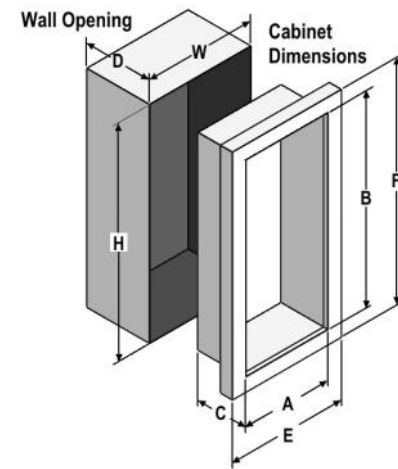


Extruded Rolled Edge
2-1/2", 4" and 4-1/2"

 JL INDUSTRIES	Distributor:	Quantity:
	Contractor:	Approved By:
	Model #:	Architect:
	Project:	Date: © 2023 Activar Construction Products Group, Inc
<p>HEADQUARTERS: 9702 NEWTON AV S, BLOOMINGTON, MN 55431 MANUFACTURING: BLOOMINGTON, MN & COMMERCE, CA WAREHOUSES: SEE WEBSITE FOR LOCATIONS PH: 800-554-6077 EMAIL: SALES@ACTIVARCPG.COM WWW.ACTIVARCPG.COM 5/8/2023</p>		

SUBMITTAL: ACADEMY ALUMINUM FIRE EXTINGUISHER CABINETS

TRIM & DOOR SERIES #			Tub I.D.			Frame O.D.		Wall Opening			Fits Extinguishers
QTY	Model	Trim Style "	A	B	C	E	F	W	H	D	
	8125	Flat 3/8" Trim •	9	18	5 1/2	12 3/8	21 3/8	10	19	5 3/8	Cosmic & Galaxy 2-1/2 - 6 (6lb must be mounted on tub) Mercury 2-1/2 - 5
	8126	1 1/2 Square•	9	18	5 1/2	12 3/8	21 3/8	10	19	4 1/8	
	8127	2 1/2 Rolled•	9	18	5 1/2	12 3/8	21 3/8	10	19	3 3/4	Cosmic/Gal/Merc 2-5
	8123	Surf. Mtd Sq	12 3/16	21 3/16	6	12 3/8	21 3/8	--	--	--	
	1720	2-1/4 Square •	10 1/2	24	5	13 7/8	27 3/8	11 1/2	25	3	Cosmic & Galaxy 2-1/2 - 6 (6lb must be mounted on tub) Mercury 2 1/2-5
	1825	Flat 3/8" Trim •	10 1/2	24	5 1/2	13 7/8	27 3/8	11 1/2	25	5 3/8	
	1826	1 1/2 Square•	10 1/2	24	5 1/2	13 7/8	27 3/8	11 1/2	25	4 1/8	Cosmic & Galaxy 2 1/2-5, Sentinel 5
	1827	3 Formed Rolled •	10 1/2	24	5 1/2	13 7/8	27 3/8	11 1/2	25	2 5/8	
	1822	4 Rolled/Flush Pull•	10 1/2	24	5 1/2	13 7/8	27 3/8	11 1/2	25	2 1/2	Cosmic & Galaxy 2 1/2-10
	1828	4 1/2 Rolled	10 1/2	24	5 1/2	13 7/8	27 3/8	11 1/2	25	1 3/4	
	1025	Flat 3/8" Trim •	10 1/2	24	6	13 7/8	27 3/8	11 1/2	25	5 7/8	Mercury 2 1/2-5, Sentinel 5
	1026	1 1/2 Square•	10 1/2	24	6	13 7/8	27 3/8	11 1/2	25	4 5/8	
	1027	3 Formed Rolled •	10 1/2	24	6	13 7/8	27 3/8	11 1/2	25	3 1/8	Any Cosmic, Galaxy, Mercury, Saturn or Grenadier P (20 lb must be mounted on back of tub), Sentinel 5 & 10 Nebula 270
	1022	4 Rolled/Flush Pull•	10 1/2	24	6	13 7/8	27 3/8	11 1/2	25	3	
	1028	4 1/2 Rolled	10 1/2	24	6	13 7/8	27 3/8	11 1/2	25	2 1/4	Any Cosmic, Galaxy, Mercury, Saturn or Grenadier P (20lb must be mounted on back of tub), Sentinel 5-15, Nebula 272, 270, 250
	1023	Surf Mtd. Sq	13 11/16	27 3/16	6 1/2	13 7/8	27 3/8	--	--	--	
	2025	Flat 3/8" Trim •	12	27	7 3/4	15 3/8	30 3/8	13	28	7 5/8	Two each of: any Cosmic, Galaxy, Mercury, Saturn or Grenadier P (20 lb must be mounted on back of tub), Sentinel 5
	2026	1 1/4 Square•	12	27	7 3/4	15 3/8	30 3/8	13	28	6 5/8	
	2027	2 1/2 Rolled•	12	27	7 3/4	15 3/8	30 3/8	13	28	6	Two each of: any Cosmic, Galaxy, Mercury, Saturn or Grenadier P (20 lb must be mounted on back of tub), Sentinel 5
	2022	4 Rolled/Flush Pull•	12	27	7 3/4	15 3/8	30 3/8	13	28	4 3/4	
	2028	4 1/2 Rolled	12	27	7 3/4	15 3/8	30 3/8	13	28	4	Two each of: any Cosmic, Galaxy, Mercury, Saturn or Grenadier P (20 lb must be mounted on back of tub), Sentinel 5
	2023	Surf Mtd. Sq	15 3/16	30 3/16	8 1/4	15 3/8	30 3/8	--	--	--	
	3025	Flat 3/8" Trim •	16	32	7 3/4	19 3/8	35 3/8	17	33	7 5/8	Two each of: any Cosmic, Galaxy, Mercury, Saturn or Grenadier P (20 lb must be mounted on back of tub), Sentinel 5
	3026	1 1/4 Square•	16	32	7 3/4	19 3/8	35 3/8	17	33	6 5/8	
	3027	2 1/2 Rolled•	16	32	7 3/4	19 3/8	35 3/8	17	33	6	Two each of: any Cosmic, Galaxy, Mercury, Saturn or Grenadier P (20 lb must be mounted on back of tub), Sentinel 5
	3022	4 Rolled/Flush Pull•	16	32	7 3/4	19 3/8	35 3/8	17	33	4 3/4	
	3028	4 1/2 Rolled	16	32	7 3/4	19 3/8	35 3/8	17	33	4	Two each of: any Cosmic, Galaxy, Mercury, Saturn or Grenadier P (20 lb must be mounted on back of tub), Sentinel 5
	3023	Surf Mtd. Sq	19 3/16	35 3/16	8 1/4	19 3/8	35 3/8	--	--	--	
	4025	Flat 3/8" Trim •	20	27	7 3/4	23 3/8	30 3/8	21	28	7 5/8	Two each of: any Cosmic, Galaxy, Mercury, Saturn or Grenadier P (20 lb must be mounted on back of tub), Sentinel 5
	4026	1 1/4 Square•	20	27	7 3/4	23 3/8	30 3/8	21	28	6 5/8	
	4027	2 1/2 Rolled•	20	27	7 3/4	23 3/8	30 3/8	21	28	6	Two each of: any Cosmic, Galaxy, Mercury, Saturn or Grenadier P (20 lb must be mounted on back of tub), Sentinel 5
	4022	4 Rolled/Flush Pull•	20	27	7 3/4	23 3/8	30 3/8	21	28	4 3/4	
	4028	4 1/2 Rolled	20	27	7 3/4	23 3/8	30 3/8	21	28	4	Two each of: any Cosmic, Galaxy, Mercury, Saturn or Grenadier P (20 lb must be mounted on back of tub), Sentinel 5
	4023	Surf Mtd. Sq	23 3/16	30 3/16	8 1/4	23 3/8	30 3/8	--	--	--	



VIEW ALL DOOR STYLES ONLINE

ADA Cabinet Mounting Height: Standard Pull on G, E, W, L22 and B Door Styles with Saf-T-Lok are 3 5/8" Higher than Door Center, so Allow for that When Mounting Cabinet.
Standard Pull with No Lock or Flush Pull are Centered on Door.

• Cabinets that Meet 4" Maximum ADA Projection Requirement
See website for items that are available on our stock list.