

# SUBMITTAL: COSMOPOLITAN™ STAINLESS STEEL FIRE EXTINGUISHER CABINETS

The Cosmopolitan Series in Stainless Steel Is a Modern, Clean Look for Recessed, Semi-Recessed & Surface-Mounted Cabinets.

**Door & Trim Construction:** # 4 stainless steel. Flush cabinet doors with a 5/8" door stop are attached by a continuous hinge and equipped with zinc-plated handle and roller catch. All models have 1-3/4" wide trim on frame and 1-1/4" trim on doors with glazing.

**Trim Style & Depth:** *Recessed* 3/8" flat trim, *Semi Recessed* - 1-1/4", 1-1/2" Square Edge or 2-1/2", 3", 4", 4-1/2" Rolled Edge (4" has recessed flush pull). *Surface-mount* models have a square edge. See separate submittal for Trimless or Surface-mount with rolled edge.

**Tub:** The tub is constructed of cold rolled steel with white powder-coat finish standard. Surface-mount models have a stainless tub.

**Fire-Rated Option Available:** Yes - See separate Submittal Form.

**STEP 1: SELECT MODEL NUMBER AND QUANTITY ON CHART** (refer to chart on pg 2)

- A. Determine Trim Style according to wall depth.
- B. Determine Tub I.D. according to size most suited for extinguisher and wall opening.

**STEP 2: SELECT DOOR STYLE WITH HANDLE**

Check one box below Examples on Page 2

- |   |   |
|---|---|
| <input type="checkbox"/> <b>F</b> Full Glazing                          | <input type="checkbox"/> <b>L22</b> Solid with SAF-T-LOK™                     |
| <input type="checkbox"/> <b>G</b> Full Glazing with SAF-T-LOK™          | <input type="checkbox"/> <b>L24</b> Sold with Cylinder Lock - No Handle       |
| <input type="checkbox"/> <b>D</b> Horizontal Duo Panel                  | <input type="checkbox"/> <b>V</b> Vertical Duo                                |
| <input type="checkbox"/> <b>E</b> Horizontal Dual Panel with SAF-T-LOK™ | <input type="checkbox"/> <b>W</b> Vertical Duo with SAF-T-LOK™                |
| <input type="checkbox"/> <b>S21</b> Solid Door                          | <input type="checkbox"/> <b>B</b> Solid with 2" x 4" View Window & SAF-T-LOK™ |

**STEP 3: SELECT DOOR GLAZING**

(Check one box below)

- |  |   |   |
|--|---|---|
| <input type="checkbox"/> <b>10</b> Clear Acrylic                     | <input type="checkbox"/> <b>15</b> Bronze Acrylic | <input type="checkbox"/> <b>17</b> Clear Tempered Glass   |
| <input type="checkbox"/> <b>13</b> Clear Wire Glass with Safety Film | <input type="checkbox"/> <b>16</b> Gray Acrylic   | <input type="checkbox"/> <b>18</b> Laminated Safety Glass |



**1035G10**  
Recessed



**1033S21**  
Surface Mount



**1037V10**  
3" Rolled Edge

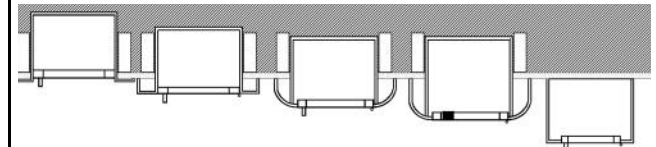
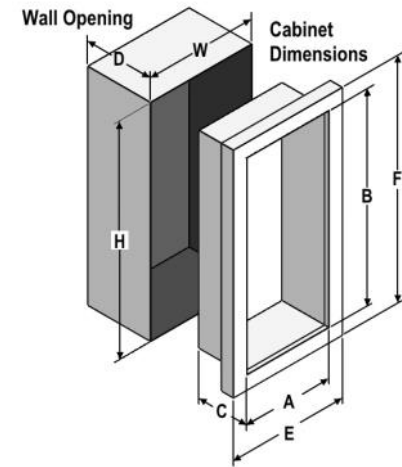
**STEP 4: OPTIONAL FEATURES AT ADDED COST (SELECT ANY)**

- |  |  |  |   |
|--|--|--|---|
| <input type="checkbox"/> Optional Tub Color: ___ Black ___ Red               | <input type="checkbox"/> Black Vertical FE Letters <b>LDCVBF</b>   | <input type="checkbox"/> Black Vertical Decal <b>LDVBF</b>   | <input type="checkbox"/> <b>(CA)</b> Commander Alarm  |
| <input type="checkbox"/> Futura "Fire" Pull ___ Mill Alum ___ Red ___ White  | <input type="checkbox"/> Red Vertical FE Letters <b>LDCVRF</b>     | <input type="checkbox"/> Red Vertical Decal <b>LDVRF</b>     | <input type="checkbox"/> <b>(BA)</b> Brigadier Alarm  |
| <input type="checkbox"/> Flush Pull Handle <b>(PRH)</b>                      | <input type="checkbox"/> White Vertical FE Letters <b>LDCVWF</b>   | <input type="checkbox"/> White Vertical Decal <b>LDVWF</b>   | <input type="checkbox"/> <b>(SA)</b> Strobe Alarm (Surface Mount Models)  |
| <input type="checkbox"/> Polished Chrome Pull <b>(PUCH)</b>                  | <input type="checkbox"/> Black Horizontal FE Letters <b>LDCHBF</b> | <input type="checkbox"/> Black Horizontal Decal <b>LDHBF</b> | <input type="checkbox"/> Etched/Engraved Lettering in Glass or Metal- Attach separate submittal to order. Not available on #7, #8 finish. |
| <input type="checkbox"/> Stainless Tub ___ #4 Finish View Stainless Finishes | <input type="checkbox"/> Red Horizontal FE Letters <b>LDCHRF</b>   | <input type="checkbox"/> Red Horizontal Decal <b>LDHRF</b>   |   |
| <input type="checkbox"/> Other Stainless Finish: ___ #6 ___ #7 ___ #8        | <input type="checkbox"/> White Horizontal FE Letters <b>LDCHWF</b> | <input type="checkbox"/> White Horizontal Decal <b>LDHWF</b> |   |
| <input type="checkbox"/> Rolled Edge Surface Mount Cabinet                   |  |  |   |

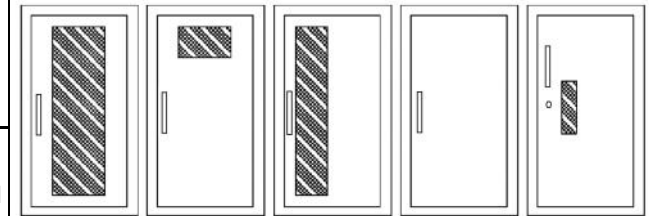
<b>JL INDUSTRIES</b>	Distributor:	Quantity:
	Contractor:	Approved By:
	Model #:	Architect:
	Project:	Date: <span style="float: right; font-size: small;">© 2023 Activar Construction Products Group, Inc</span>
HEADQUARTERS: 9702 NEWTON AVE S, BLOOMINGTON, MN 55431 PH: 800-554-6077 EMAIL: SALES@ACTIVARCPG.COM WWW.ACTIVARCPG.COM MANUFACTURING: BLOOMINGTON, MN & COMMERCE, CA WAREHOUSES: SEE WEBSITE FOR LOCATIONS 5/8/2023		

# SUBMITTAL: COSMOPOLITAN FIRE EXTINGUISHER CABINETS

TRIM & DOOR SERIES #			Tub I.D.			Frame O.D.		Wall Opening			Fits Fire Extinguisher
QTY	Model	Trim Style (in)	A	B	C	E	F	W	H	D	
	8135	Flat 3/8" Trim ●	9	18	5 1/2	12 3/8	21 3/8	10	19	5 3/8	Cosmic & Galaxy 2 1/2-6 (6 lb must be mounted to back of tub), Mercury 2 1/2-5
	8136	1 1/2 Square ●	9	18	5 1/2	12 3/8	21 3/8	10	19	4 1/8	
	8137	2 1/2 Rolled ●	9	18	5 1/2	12 3/8	21 3/8	10	19	3 1/8	
	8133	Surf. Mtd Sq	12 3/16	21 3/16	6	12 3/8	21 3/8	--	--	--	
	1730	2-1/4 Square ●	10 1/2	24	5	13 7/8	27 3/8	11 1/2	25	3	
	1835	Flat 3/8" Trim ●	10 1/2	24	5 1/2	13 7/8	27 3/8	11 1/2	25	5 3/8	Cosmic & Galaxy 2 1/2-6 (6 lb must be mounted to back of tub), Mercury 2 1/2-5
	1836	1 1/2 Square ●	10 1/2	24	5 1/2	13 7/8	27 3/8	11 1/2	25	4 1/8	
	1837	3 Rolled ●	10 1/2	24	5 1/2	13 7/8	27 3/8	11 1/2	25	2 5/8	
	1832	4 Rolled/Flush Pull ●	10 1/2	24	5 1/2	13 7/8	27 3/8	11 1/2	25	1 7/8	
	1838	4 1/2 Rolled	10 1/2	24	5 1/2	13 7/8	27 3/8	11 1/2	25	1 1/8	
	1035	Flat 3/8" Trim ●	10 1/2	24	6	13 7/8	27 3/8	11 1/2	25	5 7/8	Cosmic & Galaxy 2 1/2-10 Mercury 2 1/2-5, Sentinel 5
	1036	1 1/2 Square ●	10 1/2	24	6	13 7/8	27 3/8	11 1/2	25	4 5/8	
	1037	3 Rolled ●	10 1/2	24	6	13 7/8	27 3/8	11 1/2	25	3 1/8	
	1032	4 Rolled/Flush Pull ●	10 1/2	24	6	13 7/8	27 3/8	11 1/2	25	2 3/8	
	1038	4 1/2 Rolled	10 1/2	24	6	13 7/8	27 3/8	11 1/2	25	1 5/8	
	1033	Surf Mtd. Sq	13 11/16	27 3/16	6 1/2	13 7/8	27 3/8	--	--	--	
	2035	Flat 3/8" Trim ●	12	27	7 3/4	15 3/8	30 3/8	13	28	7 5/8	Any Cosmic or Galaxy (20 lb must be mounted to back of tub), Mercury, Saturn or Grenadier P, Sentinel 5 & 10, Nebula 270
	2036	1 1/4 Square ●	12	27	7 3/4	15 3/8	30 3/8	13	28	6 5/8	
	2037	2 1/2 Rolled ●	12	27	7 3/4	15 3/8	30 3/8	13	28	5 3/8	
	2032	4 Rolled/Flush Pull ●	12	27	7 3/4	15 3/8	30 3/8	13	28	4 1/8	
	2038	4 1/2 Rolled	12	27	7 3/4	15 3/8	30 3/8	13	28	3 3/8	
	2033	Surf Mtd. Sq	15 3/16	30 3/16	8 1/4	15 3/8	30 3/8	--	--	--	
	3035	Flat 3/8" Trim ●	16	32	7 3/4	19 3/8	35 3/8	17	33	7 5/8	Any Cosmic or Galaxy (20 lb must be mounted to back of tub), Mercury, Saturn or Grenadier P, Sentinel 5-15, Nebula 270, 272, 250
	3036	1 1/4 Square ●	16	32	7 3/4	19 3/8	35 3/8	17	33	6 5/8	
	3037	2 1/2 Rolled ●	16	32	7 3/4	19 3/8	35 3/8	17	33	5 3/8	
	3032	4 Rolled/Flush Pull ●	16	32	7 3/4	19 3/8	35 3/8	17	33	4 1/8	
	3038	4 1/2 Rolled	16	32	7 3/4	19 3/8	35 3/8	17	33	3 3/8	
	3033	Surf Mtd. Sq	19 3/16	35 3/16	8 1/4	19 3/8	35 3/8	--	--	--	
	4035	Flat 3/8" Trim ●	20	27	7 3/4	23 3/8	30 3/8	21	28	7 5/8	Two each of: any Cosmic or Galaxy (20 lb must be mounted on back of tub), Mercury, Saturn or Grenadier P, Sentinel 5
	4036	1 1/4 Square ●	20	27	7 3/4	23 3/8	30 3/8	21	28	6 5/8	
	4037	2 1/2 Rolled ●	20	27	7 3/4	23 3/8	30 3/8	21	28	5 3/8	
	4032	4 Rolled/Flush Pull ●	20	27	7 3/4	23 3/8	30 3/8	21	28	4 1/8	
	4038	4 1/2 Rolled	20	27	7 3/4	23 3/8	30 3/8	21	28	3 3/8	
	4033	Surf Mtd. Sq	23 3/16	30 3/16	8 1/4	23 3/8	30 3/8	--	--	--	



3/8" Flat Trim    1-1/2" Square Trim    2-1/2", 3" Rolled Edge    4" Rolled w/ Flush Pull or 4-1/2" w/Std Pull    Surface Mounted



F - Full glass with pull handle  
 G - Full glass with pull handle above Saf-T-Lok (not shown)  
 D - Horizontal duo panel with pull handle  
 E - Horizontal duo panel with pull handle above Saf-T-Lok (not shown)  
 V - Vertical duo panel with pull handle  
 W - Vertical duo panel with pull handle above Saf-T-Lok (not shown)  
 S21 - Solid with pull handle  
 L22 - Solid with pull handle above Saf-T-Lok  
 L24 - Solid with cylinder key lock and no handle  
 B - Small view window with pull handle, and Saf-T-Lok

**ADA Cabinet Mounting Height:** Standard Pull on G, E, W, L22 and B Door Styles with Saf-T-Lok are 3 5/8" Higher than Door Center, so Allow for that When Mounting Cabinet.  
 Standard Pull with No Lock or Flush Pull are Centered on Door.

● Cabinets that Meet 4" Maximum ADA Projection Requirement

See website for items that are available on our stock list.