

Long Controls **Non-Intrusive Actuator** Offer

❖ Contents:

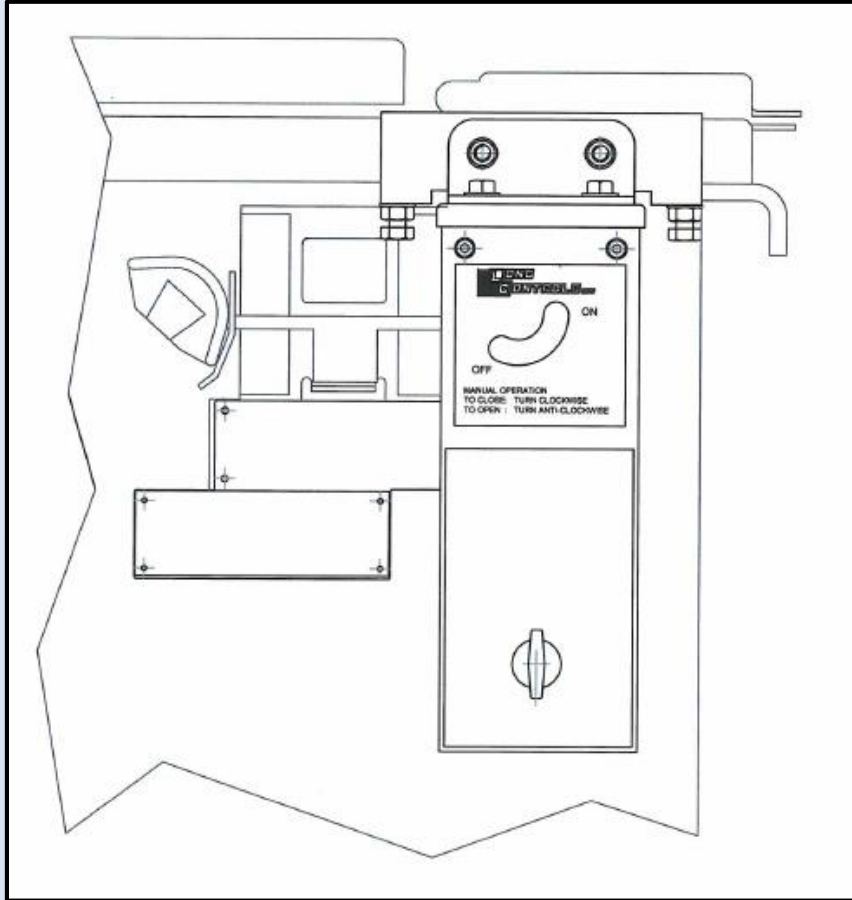
- Section 1 – L&C T3/T4GF3
- Section 2 – L&C J3/J4
- Section 3 – MG RN2
- Section 4 – MG SE6
- Section 5 – MG CE6
- Section 6 – MG RN2c
- Section 7 – YSE RingMaster
- Section 8 – Lucy FRMU mk2A
- Section 9 – Lucy VRN2/VRN2A

❖ Contents:

- Section 10 – Reyrolle LMI
- Section 11 – Reyrolle IMS
- Section 12 – Reyrolle ROKKS
- Section 13 – YSE Tyke mk1
- Section 14 – YSE Tyke mk2A
- Section 15 – YSE FMS
- Section 16 – SWS DRT4
- Company Contact Details

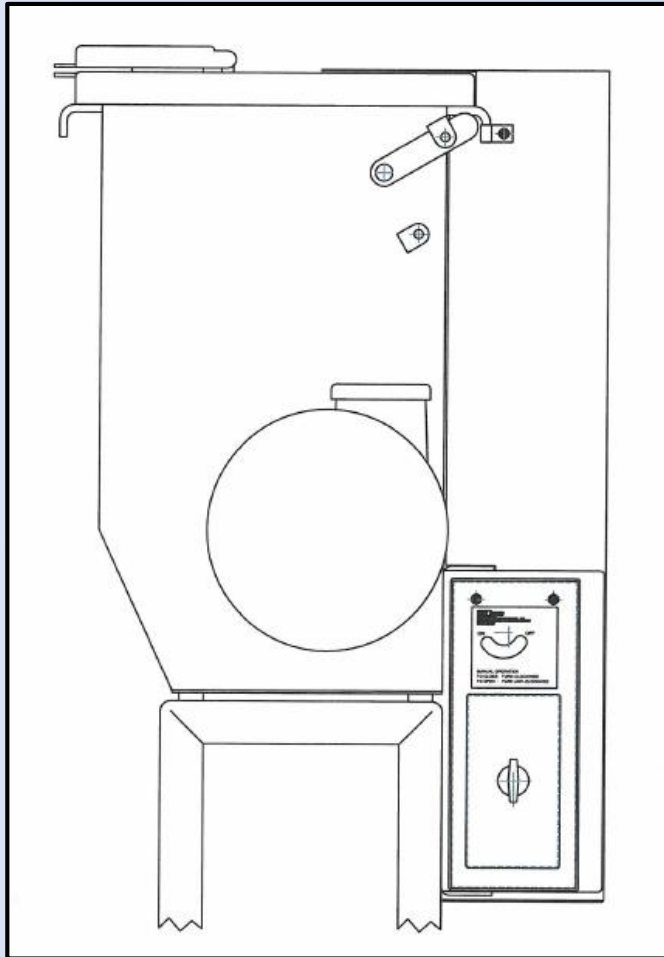
Note: Format print options to print as two slides per page & print both sides

Section 1 – L&C T3/T4GF3



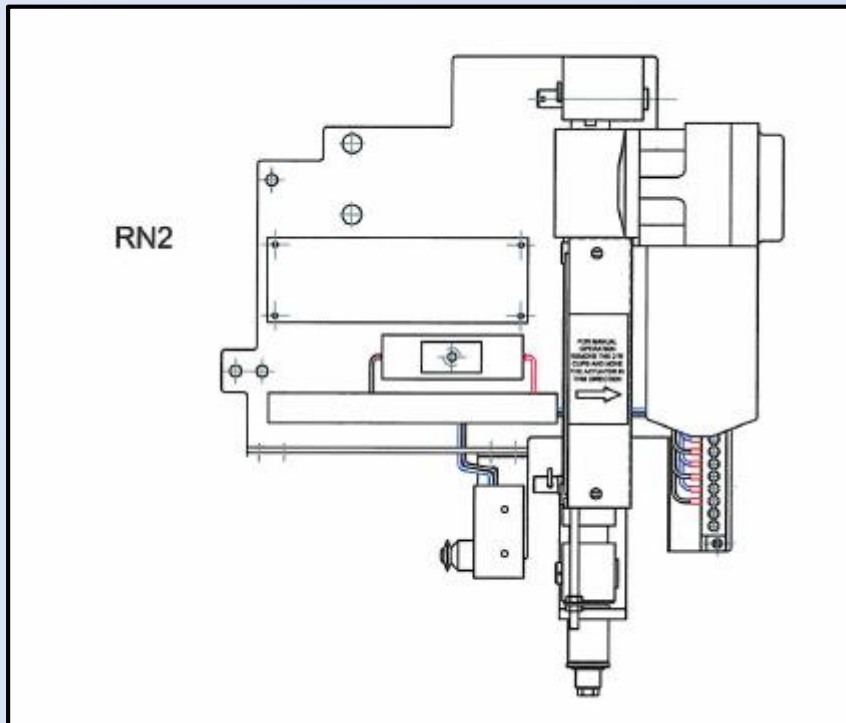
- Non-Intrusive
- Handed or Pair Options
- Maintenance Free
- Certified 500-ON/500-OFF Mechanical Endurance Tests
- Stainless Steel Fabrications
- Built-in Gear Box Sheer Points to Protect Switch Mechanism
- Bespoke Common Gear Box
- IP 67 Micro-Switches
- Window to view Micro-Switches
- Volt-Free Contacts – Seamless Integration to SCADA
- Plug & Play Plug/Socket Connectivity
- Mechanical & Electrical Points of Isolation
- Manual Operation on Site Without the Need to remove Actuator
- Weatherproof with Standard 10-year Guarantee

Section 2 – L&C J3/J4



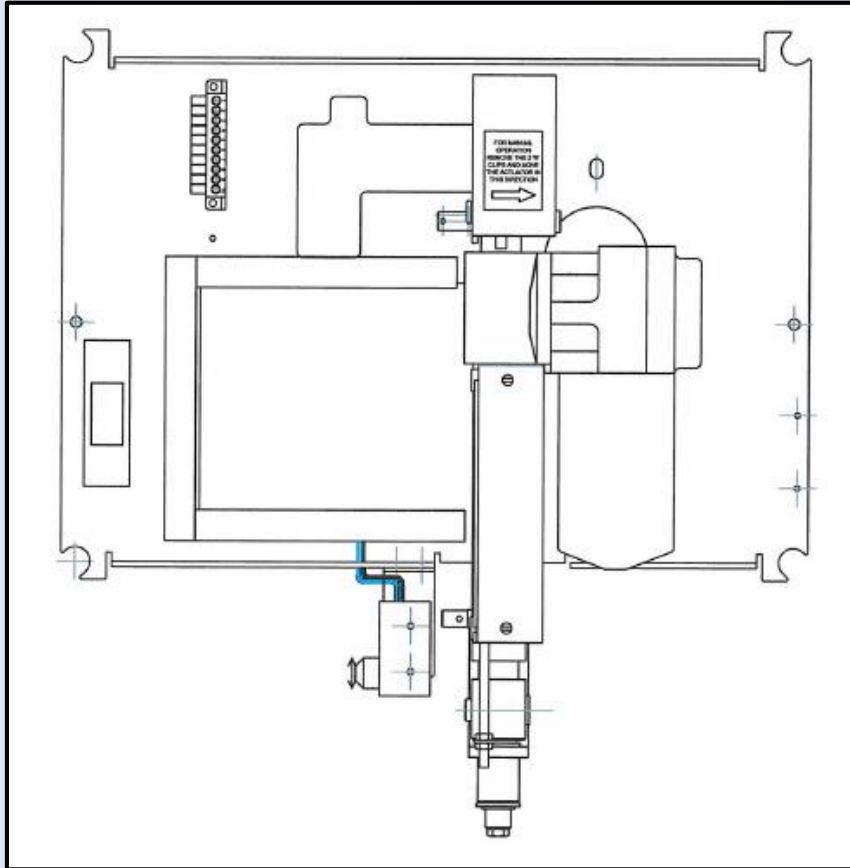
- Non-Intrusive
- Maintenance Free
- Certified 500-ON/500-OFF Mechanical Endurance Tests
- Stainless Steel Fabrications
- Built-in Gear Box Sheer Points to Protect Switch Mechanism
- Bespoke Common Gear Box
- IP 67 Micro-Switches
- Window to view Micro-Switches
- Volt-Free Contacts – Seamless Integration to SCADA
- Plug & Play Plug/Socket Connectivity
- Mechanical & Electrical Points of Isolation
- Manual Operation on Site Without the Need to Remove Actuator
- Weatherproof with Standard 10-year Guarantee

Section 3 – MG RN2



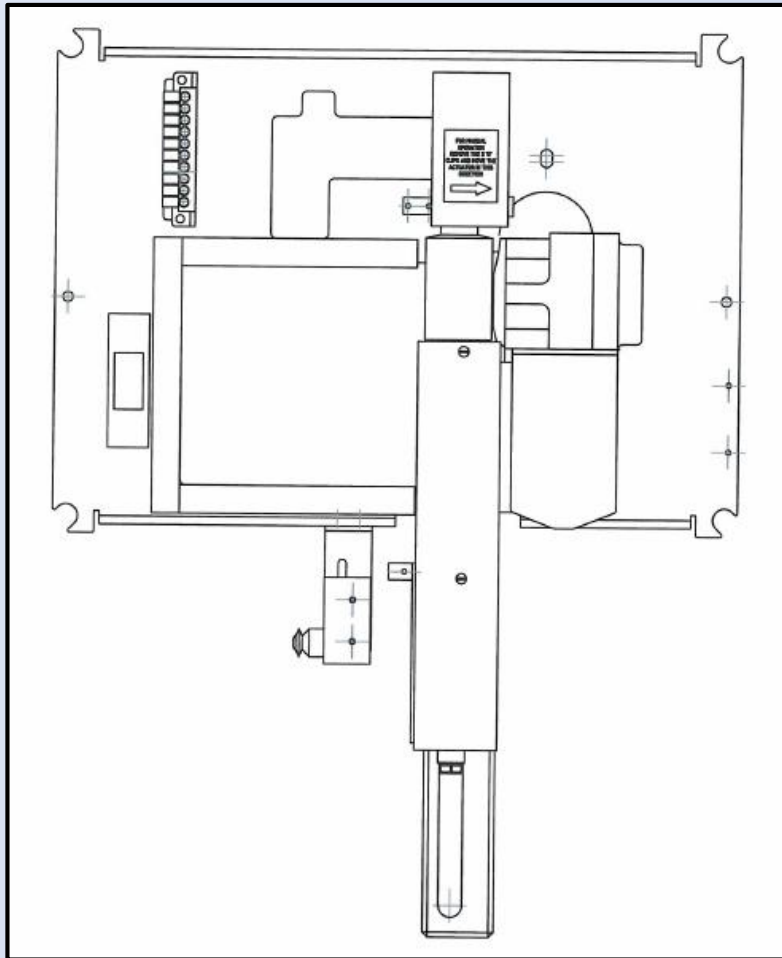
- Non-Intrusive
- Handed or Pair Options
- Maintenance Free
- Certified 500-ON/500-OFF Mechanical Endurance Tests
- Stainless Steel Fabrications
- Thermal Overload Protection
- IP66 Linear Actuators
- IP 67 Micro-Switches
- Volt-Free Contacts – Seamless Integration to SCADA
- Plug & Play Plug/Socket Connectivity
- Mechanical & Electrical Points of Isolation
- Manual Operation on Site Without the Need to Remove Actuator
- S/Stl Deeper Door Assy Available
- Weatherproof with Standard 10-year Guarantee

Section 4 – MG SE6



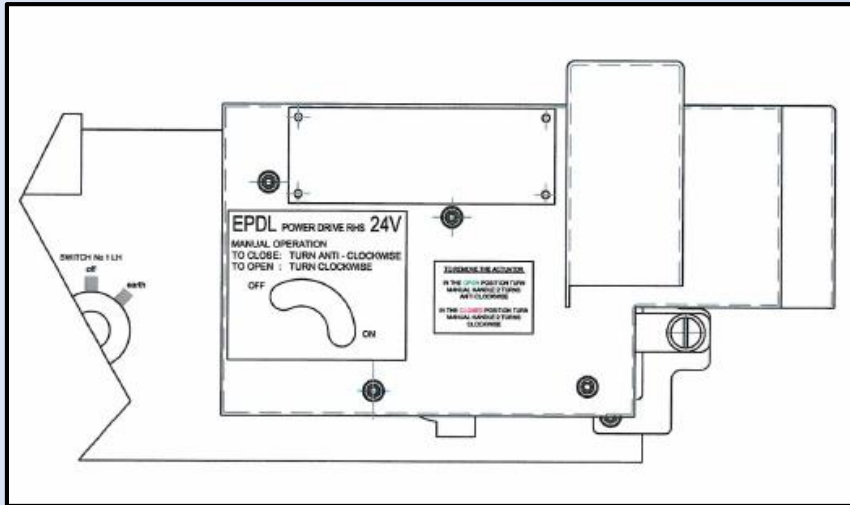
- Non-Intrusive
- Maintenance Free
- Certified 500-ON/500-OFF Mechanical Endurance Tests
- Stainless Steel Fabrications
- Thermal Overload Protection
- IP66 Linear Actuators
- IP 67 Micro-Switches
- Volt-Free Contacts – Seamless Integration to SCADA
- Plug & Play Plug/Socket Connectivity
- Mechanical & Electrical Points of Isolation
- Manual Operation on Site Without the Need to Remove Actuator
- S/Stl Deeper Door Assy Available
- Weatherproof with Standard 10-year Guarantee

Section 5 – MG CE6



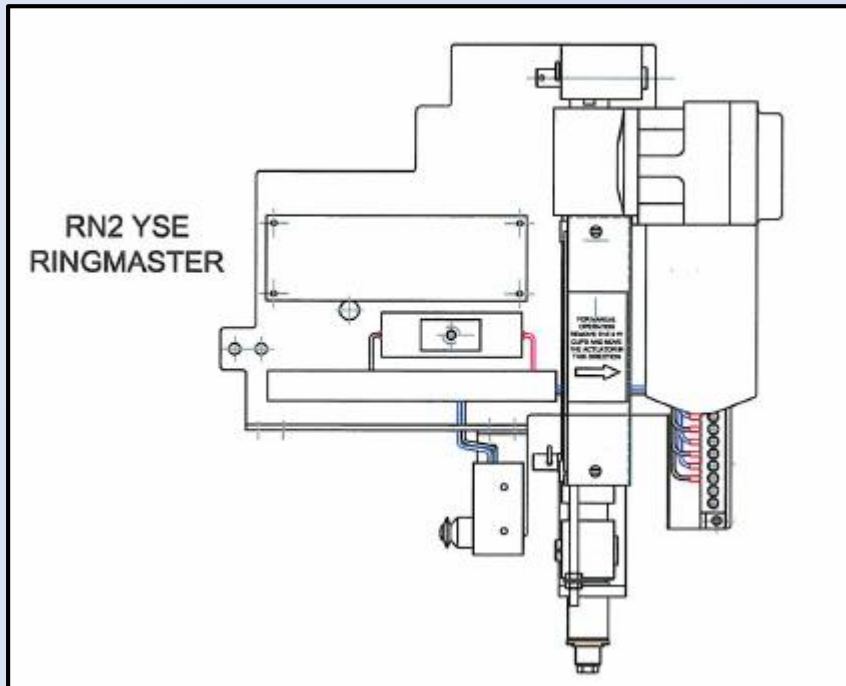
- Non-Intrusive
- Maintenance Free
- Certified 500-ON/500-OFF Mechanical Endurance Tests
- Stainless Steel Fabrications
- Thermal Overload Protection
- IP66 Linear Actuators
- IP 67 Micro-Switches
 - Window to view Micro-Switches
- Volt-Free Contacts – Seamless Integration to SCADA
- Plug & Play Plug/Socket Connectivity
- Mechanical & Electrical Points of Isolation
- Manual Operation on Site Without the Need to Remove Actuator
- S/Stl Deeper Door Assy Available
- Weatherproof with Standard 10-year Guarantee

Section 6 – MG RN2c



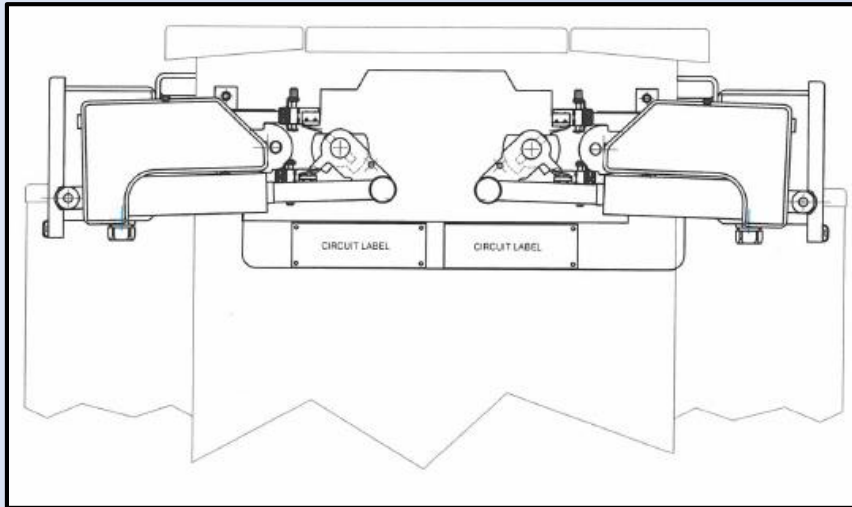
- Non-Intrusive
- Handed or Pair Options
- Maintenance Free
- Certified 500-ON/500-OFF Mechanical Endurance Tests
- Stainless Steel Fabrications
- Built-in Gear Box Shear Points to Protect Switch Mechanism
- Bespoke Common Gear Box
- IP 67 Micro-Switches
- Window to view Micro-Switches
- Volt-Free Contacts – Seamless Integration to SCADA
- Plug & Play Plug/Socket Connectivity
- Mechanical & Electrical Points of Isolation
- Manual Operation on Site Without the Need to Remove Actuator
- Weatherproof with Standard 10-year Guarantee

Section 7 – YSE RingMaster



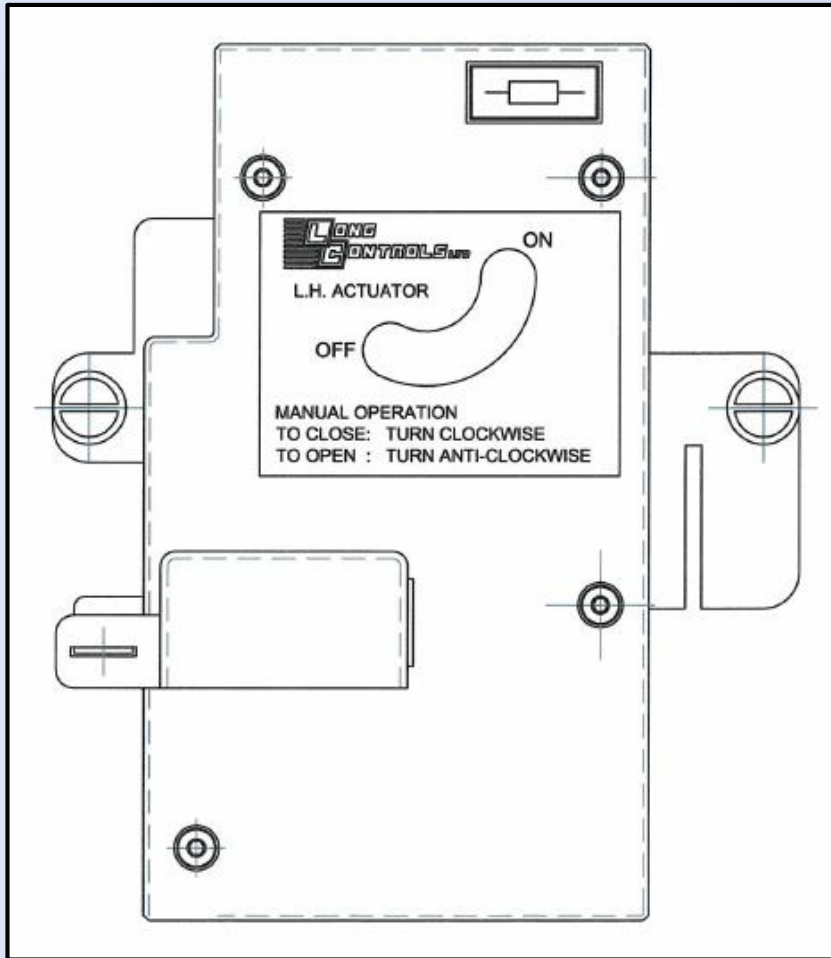
- Non-Intrusive
- Handed or Pair Options
- Maintenance Free
- Certified 500-ON/500-OFF Mechanical Endurance Tests
- Stainless Steel Fabrications
- Thermal Overload Protection
- IP66 Linear Actuators
- IP 67 Micro-Switches
- Volt-Free Contacts – Seamless Integration to SCADA
- Plug & Play Plug/Socket Connectivity
- Mechanical & Electrical Points of Isolation
- Manual Operation on Site Without the Need to Remove Actuator
- S/Stl Deeper Door Assy Available
- Weatherproof with Standard 10-year Guarantee

Section 8 – Lucy FRMU mk2A



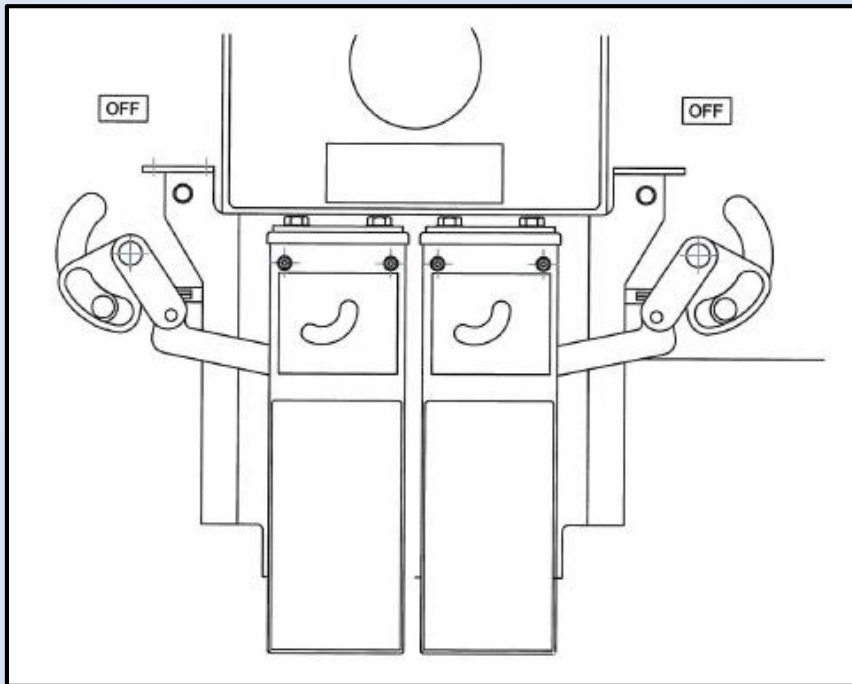
- Non-Intrusive
- Handed or Pair Options
- Maintenance Free
- Certified 500-ON/500-OFF Mechanical Endurance Tests
- Stainless Steel Fabrications
- IP66 Linear Actuators
- IP 67 Micro-Switches
- Volt-Free Contacts – Seamless Integration to SCADA
- Plug & Play Plug/Socket Connectivity
- Mechanical & Electrical Points of Isolation
- Manual Operation on Site Without the Need to Remove Actuator
- S/Stl Deeper Door Assy Available
- Weatherproof with Standard 10-year Guarantee

Section 9 – Lucy VRN2/VRN2A



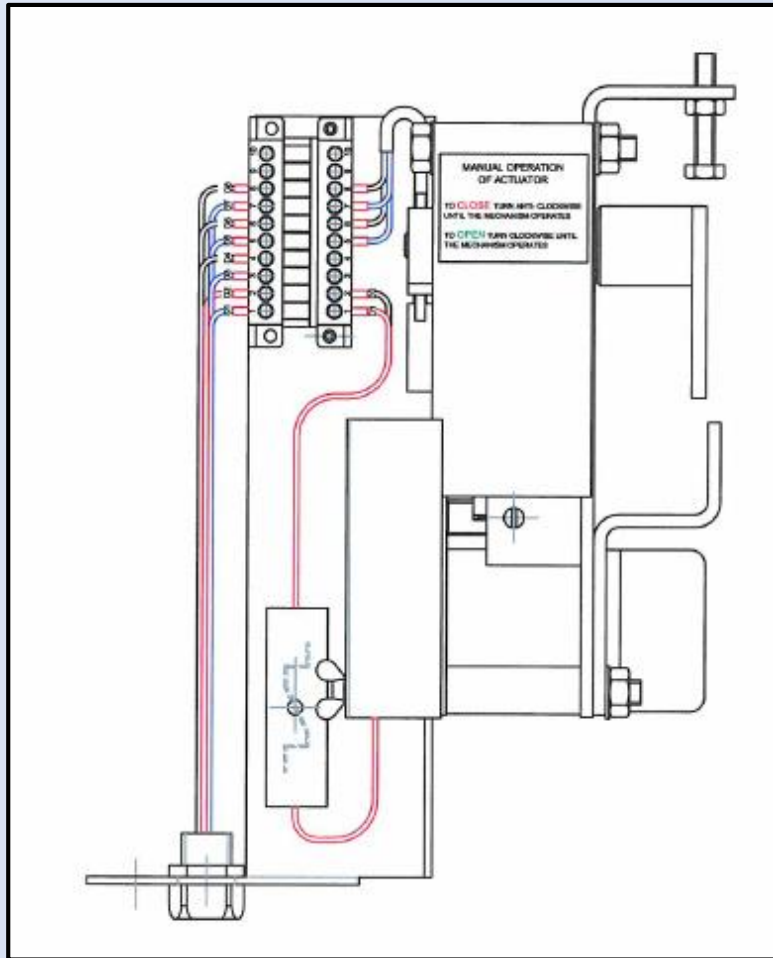
- Non-Intrusive
- Handed or Pair Options
- Maintenance Free
- Certified 500-ON/500-OFF Mechanical Endurance Tests
- Stainless Steel Fabrications
- Built-in Gear Box Sheer Points to Protect Switch Mechanism
- Bespoke Common Gear Box
- IP 67 Micro-Switches
- Window to view Micro-Switches
- Volt-Free Contacts – Seamless Integration to SCADA
- Plug & Play Plug/Socket Connectivity
- Mechanical & Electrical Points of Isolation
- Manual Operation on Site Without the Need to Remove Actuator
- S/Stl Deeper Door Assy Available (VRN2)
- Weatherproof with Standard 10-year Guarantee

Section 10 – Reyrolle LMI



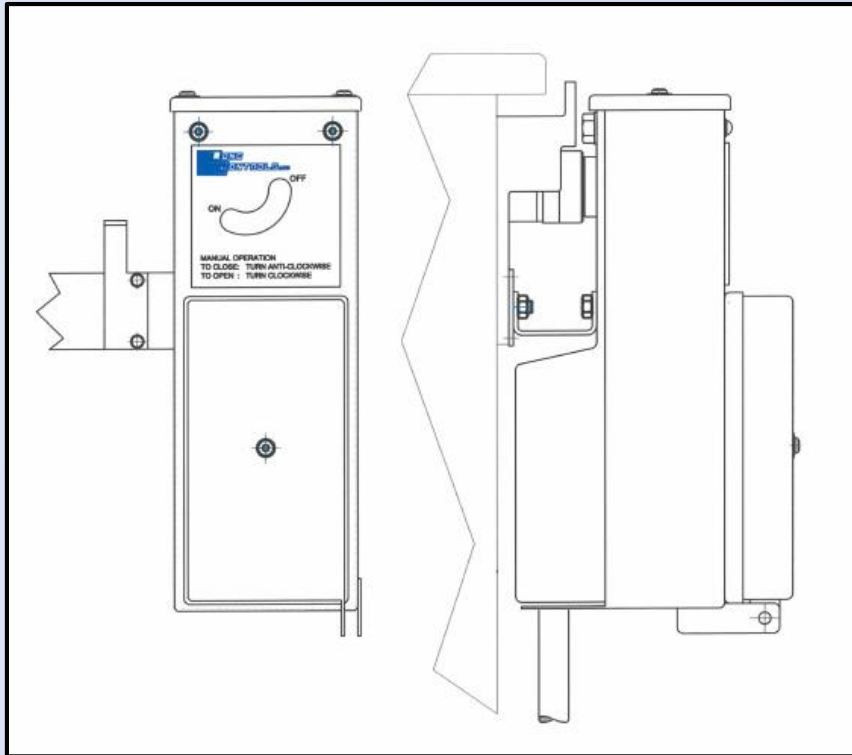
- Non-Intrusive
- Handed or Pair Options
- Maintenance Free
- Certified 500-ON/500-OFF Mechanical Endurance Tests
- Stainless Steel Fabrications
- Built-in Gear Box Sheer Points to Protect Switch Mechanism
- Bespoke Common Gear Box
- Window to view Micro-Switches
- Volt-Free Contacts – Seamless Integration to SCADA
- Plug & Play Plug/Socket Connectivity
- Mechanical & Electrical Points of Isolation
- Manual Operation on Site Without the Need to Remove Actuator
- Weatherproof with Standard 10-year Guarantee

Section 11 – Reyrolle IMS



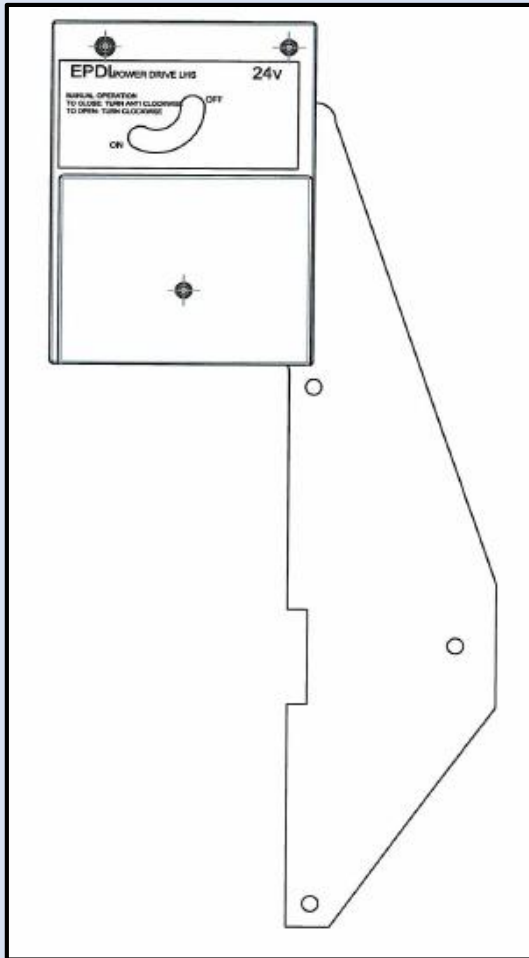
- Non-Intrusive
- Maintenance Free
- Certified 500-ON/500-OFF Mechanical Endurance Tests
- Stainless Steel Fabrications
- Built-in Gear Box Sheer Points to Protect Switch Mechanism
- Bespoke Common Gear Box
- IP 67 Micro-Switches
- Window to view Micro-Switches
- Volt-Free Contacts – Seamless Integration to SCADA
- Plug & Play Plug/Socket Connectivity
- Mechanical & Electrical Points of Isolation
- Manual Operation on Site Without the Need to Remove Actuator
- Weatherproof with Standard 10-year Guarantee

Section 12 – Reyrolle ROKKS



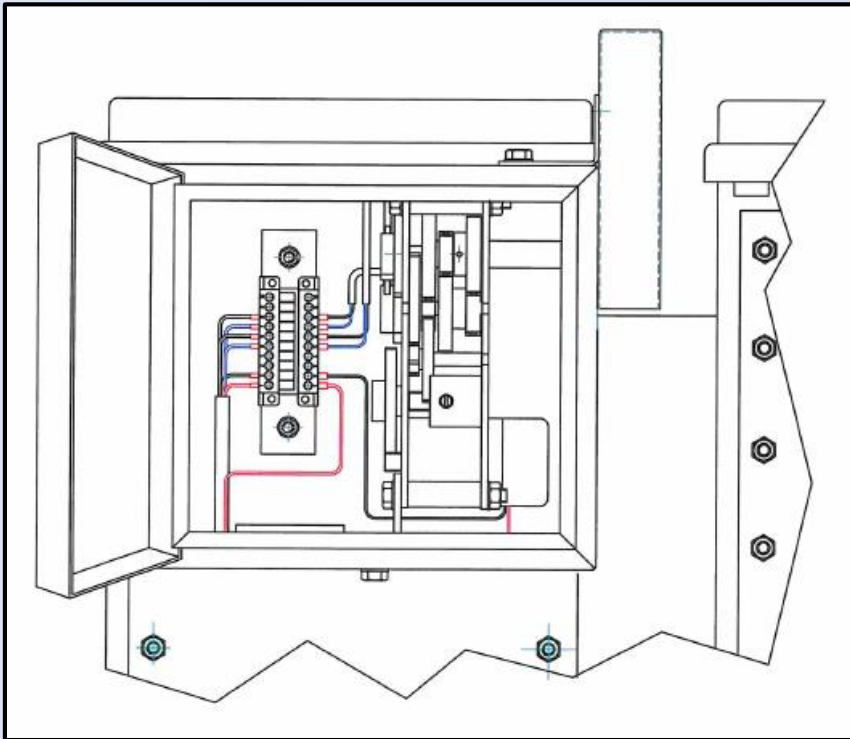
- Non-Intrusive
- Handed or Pair Options
- Maintenance Free
- Certified 500-ON/500-OFF Mechanical Endurance Tests
- Stainless Steel Fabrications
- Built-in Gear Box Sheer Points to Protect Switch Mechanism
- Bespoke Common Gear Box
- IP 67 Micro-Switches
- Window to view Micro-Switches
- Volt-Free Contacts – Seamless Integration to SCADA
- Plug & Play Plug/Socket Connectivity
- Mechanical & Electrical Points of Isolation
- Manual Operation on Site Without the Need to Remove Actuator
- Weatherproof with Standard 10-year Guarantee

Section 13 – YSE Tyke mk1



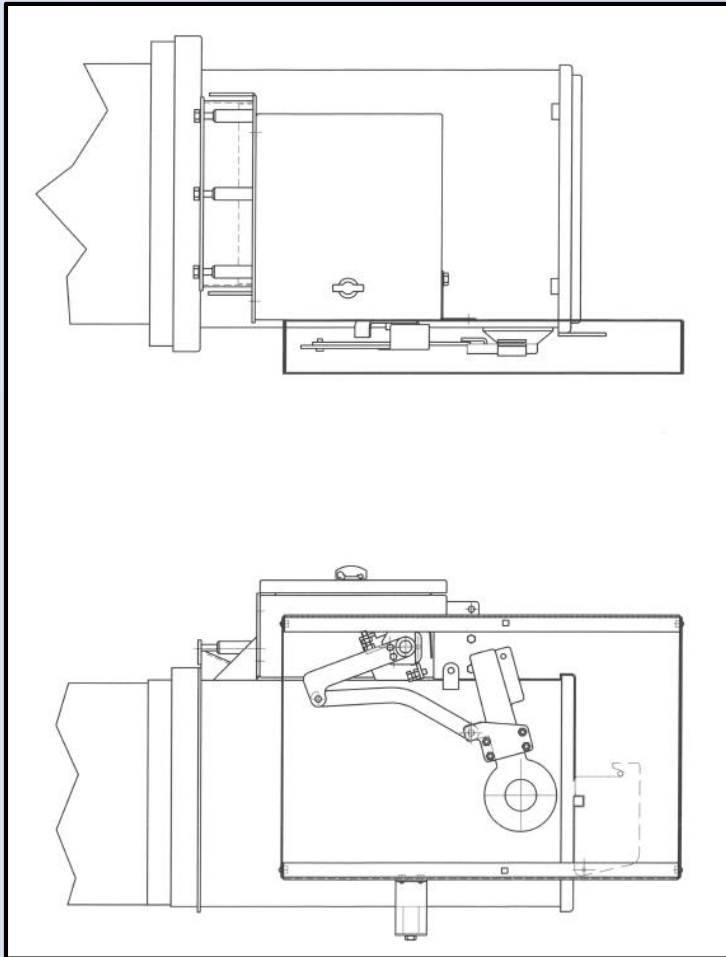
- Non-Intrusive
- Handed or Pair Options
- Maintenance Free
- Certified 500-ON/500-OFF Mechanical Endurance Tests
- Stainless Steel Fabrications
- Built-in Gear Box Sheer Points to Protect Switch Mechanism
- Bespoke Common Gear Box
- IP 67 Micro-Switches
- Window to view Micro-Switches
- Volt-Free Contacts – Seamless Integration to SCADA
- Plug & Play Plug/Socket Connectivity
- Mechanical & Electrical Points of Isolation
- Manual Operation on Site Without the Need to Remove Actuator
- Weatherproof with Standard 10-year Guarantee

Section 14 – YSE Tyke mk2A



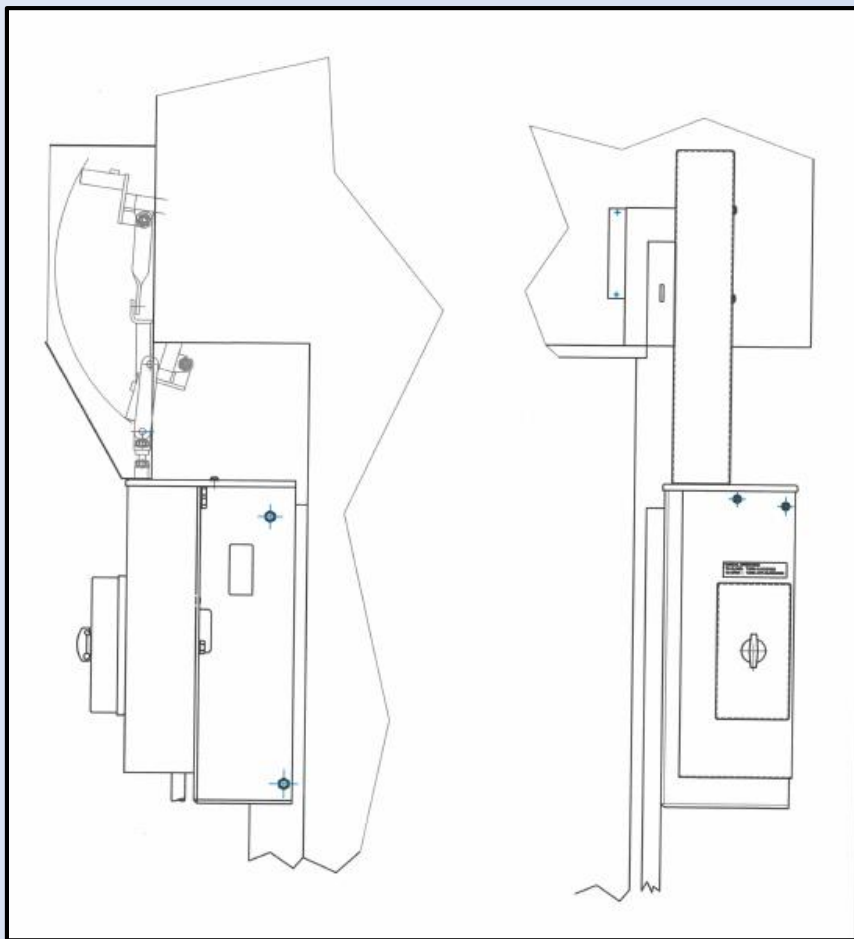
- Non-Intrusive
- Handed or Pair Options
- Maintenance Free
- Certified 500-ON/500-OFF Mechanical Endurance Tests
- Stainless Steel Fabrications
- Built-in Gear Box Sheer Points to Protect Switch Mechanism
- Bespoke Common Gear Box
- IP 67 Micro-Switches
- Window to view Micro-Switches
- Volt-Free Contacts – Seamless Integration to SCADA
- Plug & Play Plug/Socket Connectivity
- Mechanical & Electrical Points of Isolation
- Manual Operation on Site Without the Need to Remove Actuator
- Weatherproof with Standard 10-year Guarantee

Section 15 – YSE FMS



- Non-Intrusive
- Maintenance Free
- Certified 500-ON/500-OFF Mechanical Endurance Tests
- Stainless Steel Fabrications
- Built-in Gear Box Sheer Points to Protect Switch Mechanism
- Bespoke Common Gear Box
- IP 67 Micro-Switches
- Window to view Micro-Switches
- Volt-Free Contacts – Seamless Integration to SCADA
- Plug & Play Plug/Socket Connectivity
- Mechanical & Electrical Points of Isolation
- Manual Operation on Site Without the Need to Remove Actuator
- Weatherproof with Standard 10-year Guarantee

Section 16 – SWS DRT4



- Non-Intrusive
- Handed or Pair Options
- Maintenance Free
- Certified 500-ON/500-OFF Mechanical Endurance Tests
- Stainless Steel Fabrications
- Built-in Gear Box Sheer Points to Protect Switch Mechanism
- Bespoke Common Gear Box
- IP 67 Micro-Switches
- Window to view Micro-Switches
- Volt-Free Contacts – Seamless Integration to SCADA
- Plug & Play Plug/Socket Connectivity
- Mechanical & Electrical Points of Isolation
- Manual Operation on Site Without the Need to Remove Actuator
- Weatherproof with Standard 10-year Guarantee

Long Controls Limited Contact Details

Long Controls Limited
Burtonhead Road
St Helens
WA9 5DS
United Kingdom

T. +44 (0)1744 730371

E. sales@longcontrols.com

W. www.longcontrols.com

F.